

US00D389138S

United States Patent [19]
Oshima et al.

[11] **Patent Number: Des. 389,138**
[45] **Date of Patent: **Jan. 13, 1998**

[54] **TUNER FOR TELEVISION**

[75] **Inventors: Shunji Oshima; Yoshiki Miyamoto,**
both of Tokyo, Japan

[73] **Assignee: Sony Corporation, Tokyo, Japan**

[**] **Term: 14 Years**

[21] **Appl. No.: 47,163**

[22] **Filed: Nov. 28, 1995**

[51] **LOC (6) Cl. 14-03**

[52] **U.S. Cl. D14/125; D14/239; D14/218**

[58] **Field of Search D14/239, 299,**
D14/218, 217; 348/731; D10/75, 104, 46;
D13/168

[56] **References Cited**

U.S. PATENT DOCUMENTS

D. 339,137	9/1993	Takeda	D14/218
D. 346,152	4/1994	Zaugg	D13/168
D. 357,201	4/1995	Novack	D10/104
D. 361,058	8/1995	Domel et al.	D13/168
D. 366,262	1/1996	Inaba	D14/218

Primary Examiner—Prabhakar G. Deshmuk

Assistant Examiner—Richelle Shelton

Attorney, Agent, or Firm—Beveridge, DeGrandi, Weilacher & Young, LLP

[57] **CLAIM**

The ornamental design for a tuner for television, as shown and described.

DESCRIPTION

FIG. 1 is a perspective view of a tuner for television showing our new design;

FIG. 2 is a top plan view thereof;

FIG. 3 is a front elevational view thereof;

FIG. 4 is a right side elevational view thereof;

FIG. 5 is a rear elevational view thereof;

FIG. 6 is a left side elevational view thereof;

FIG. 7 is a bottom plan view thereof;

FIG. 8 is a perspective view of the tuner for television shown in use;

FIG. 9 is a top plan view thereof;

FIG. 10 is a front elevational view thereof;

FIG. 11 is a right side elevational view thereof;

FIG. 12 is a rear elevational view thereof;

FIG. 13 is a left side elevational view thereof; and,

FIG. 14 is a bottom plan view thereof.

1 Claim, 10 Drawing Sheets

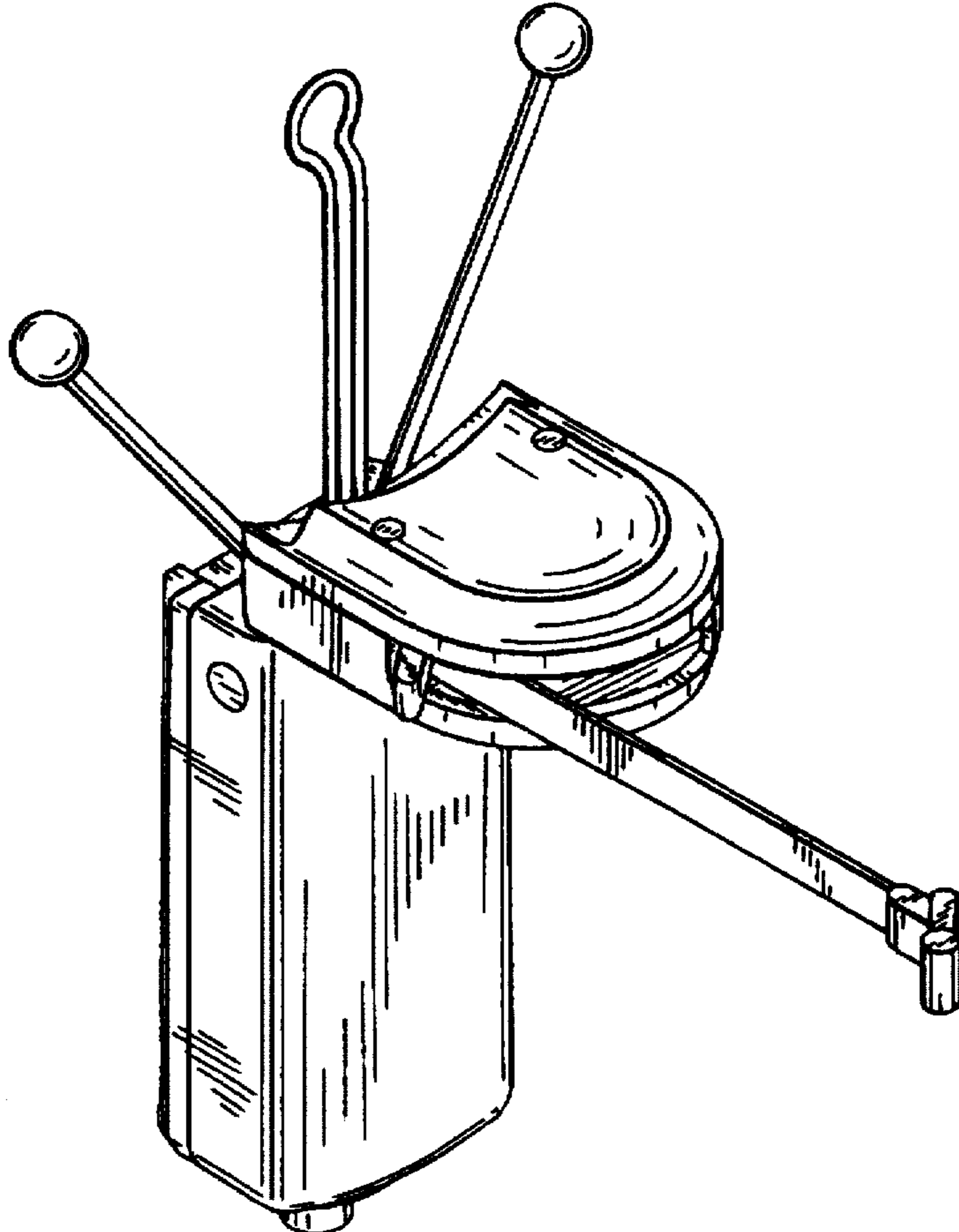
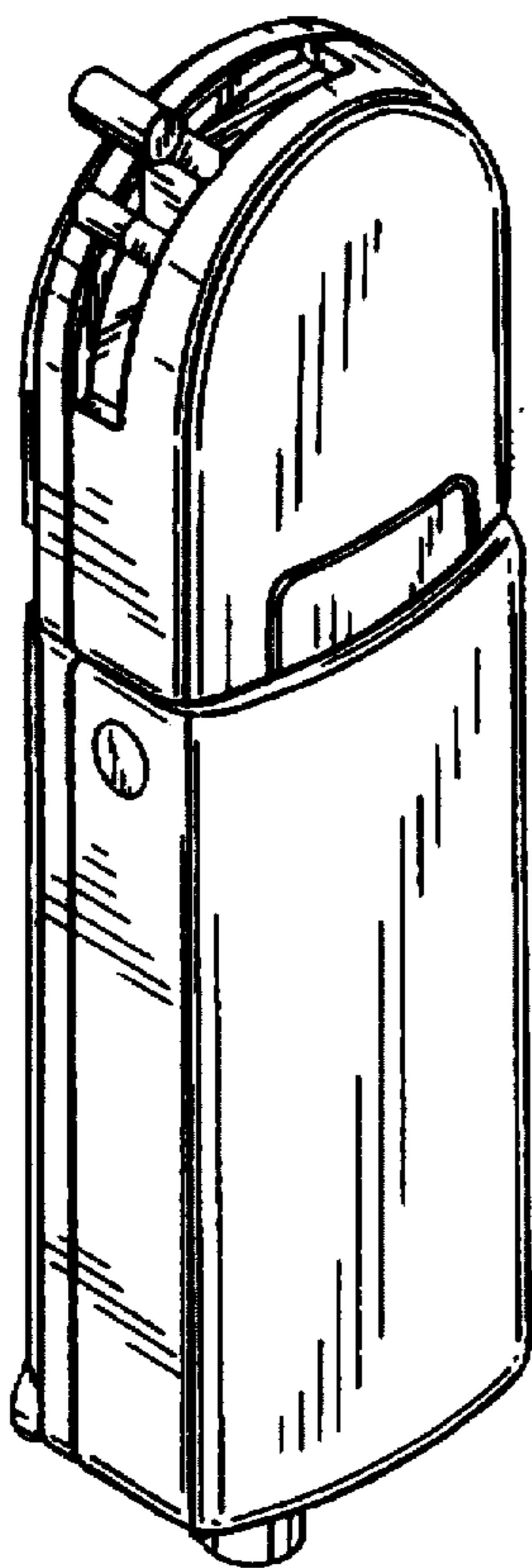


FIG. 1

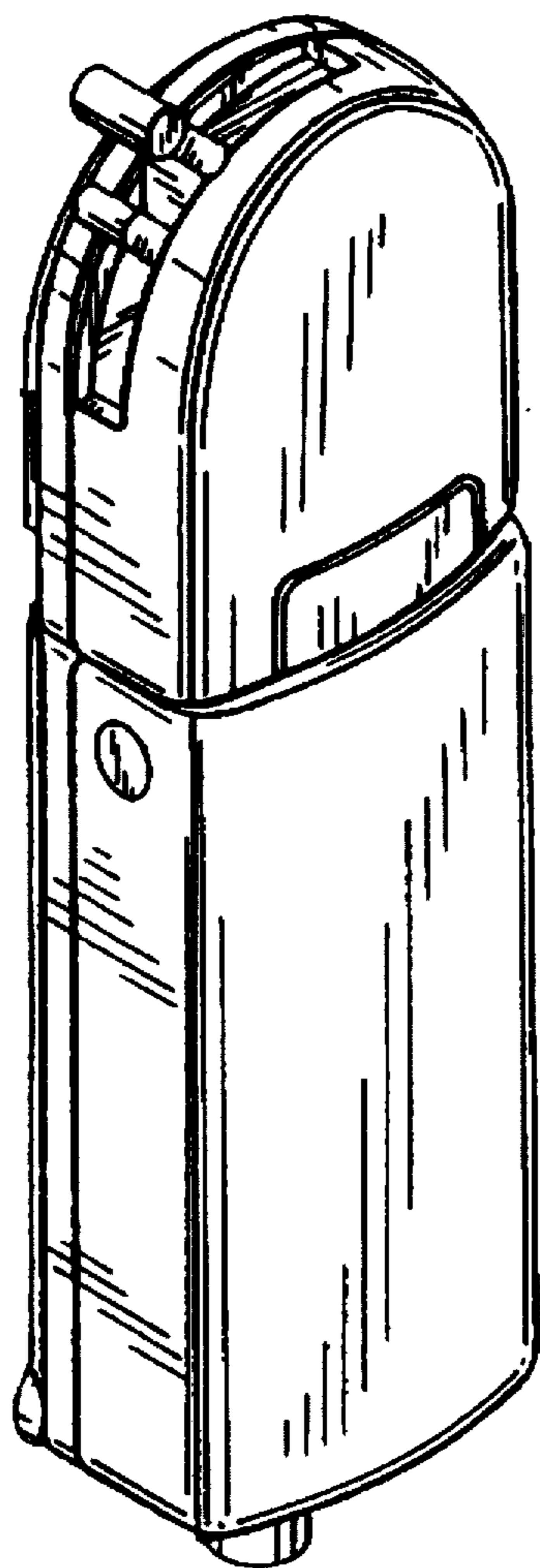


FIG. 2

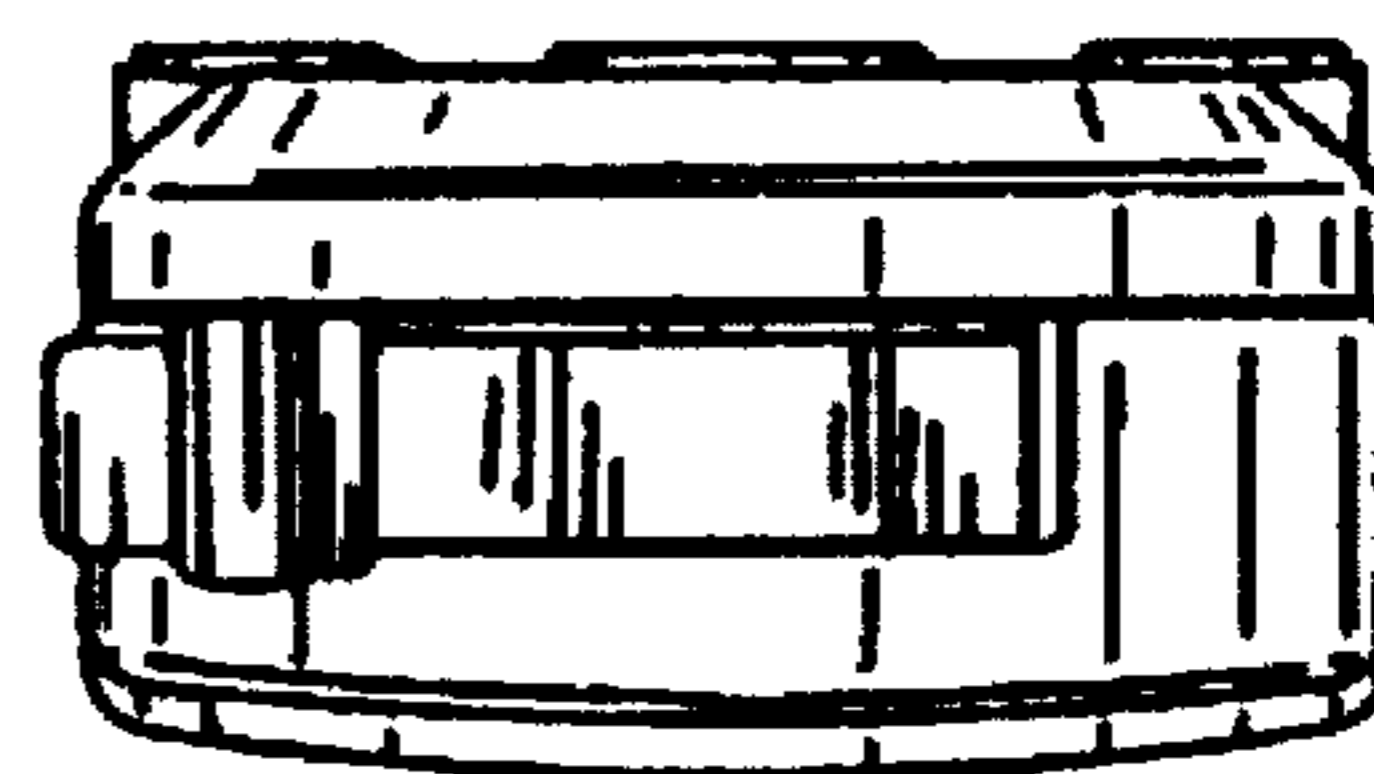


FIG. 3

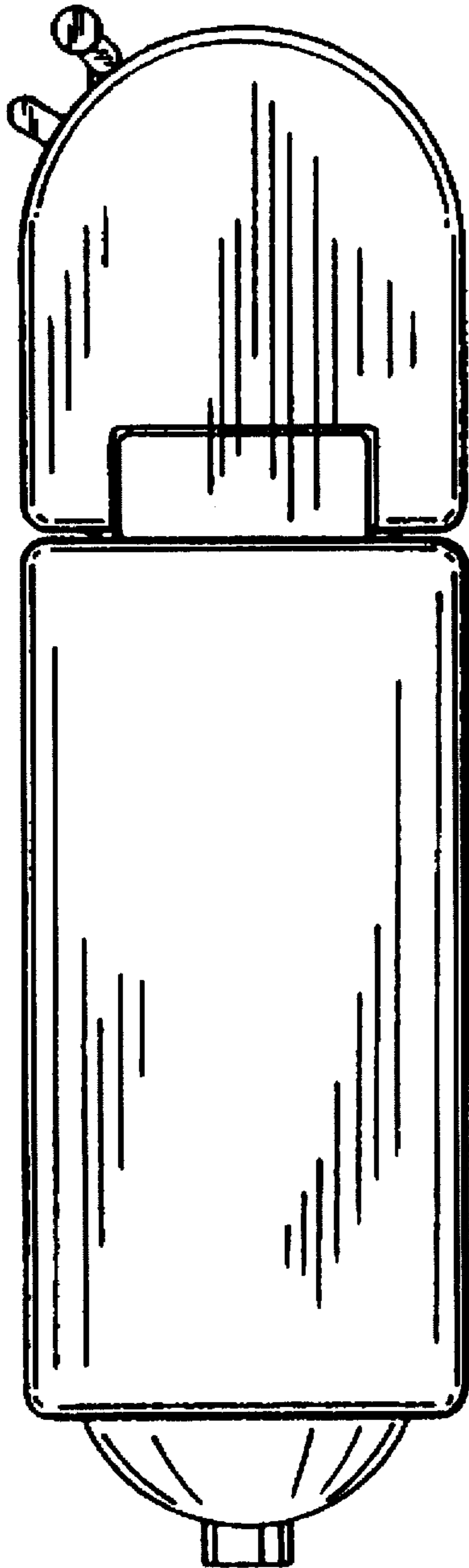


FIG. 4

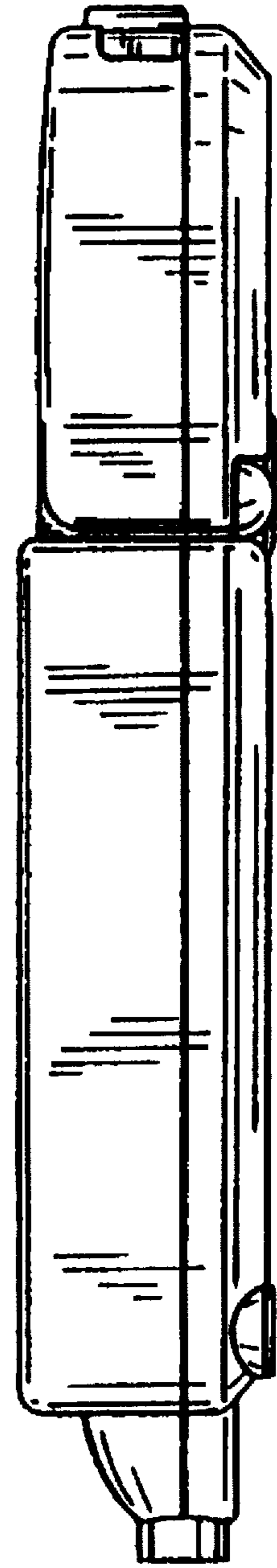


FIG. 5

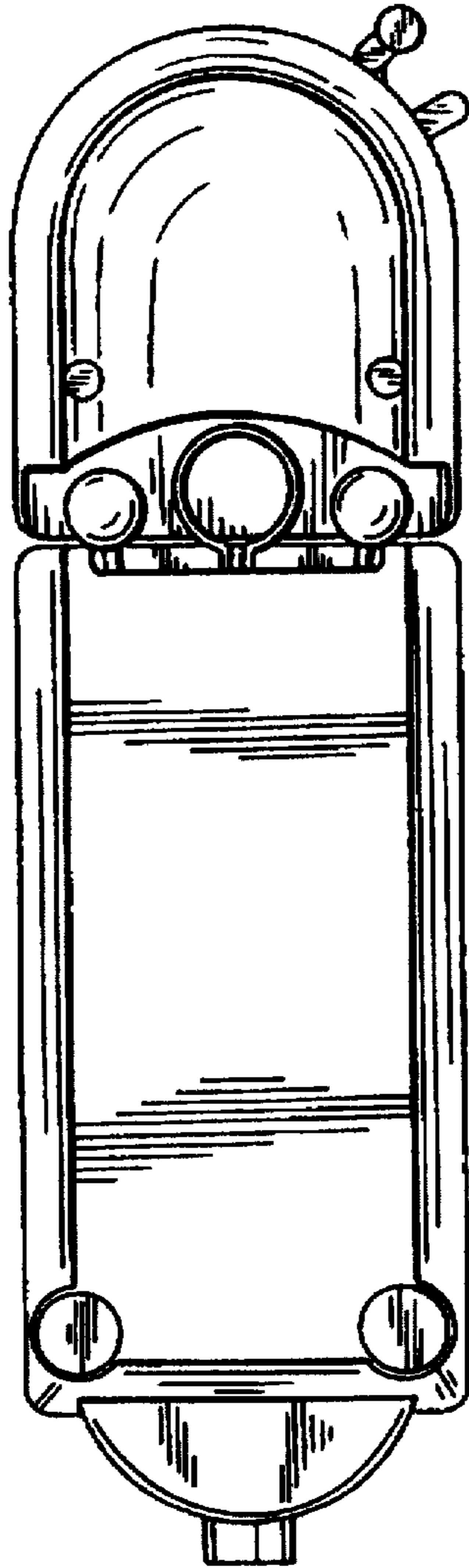


FIG. 6

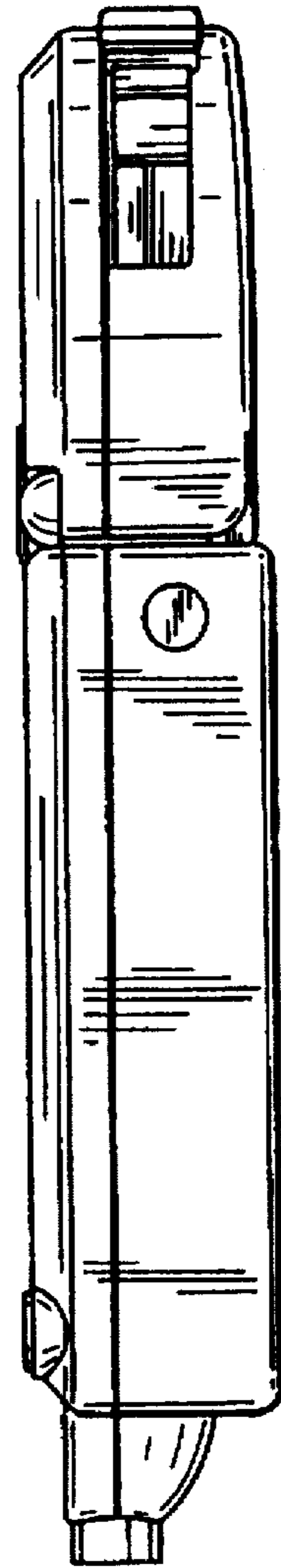


FIG. 7

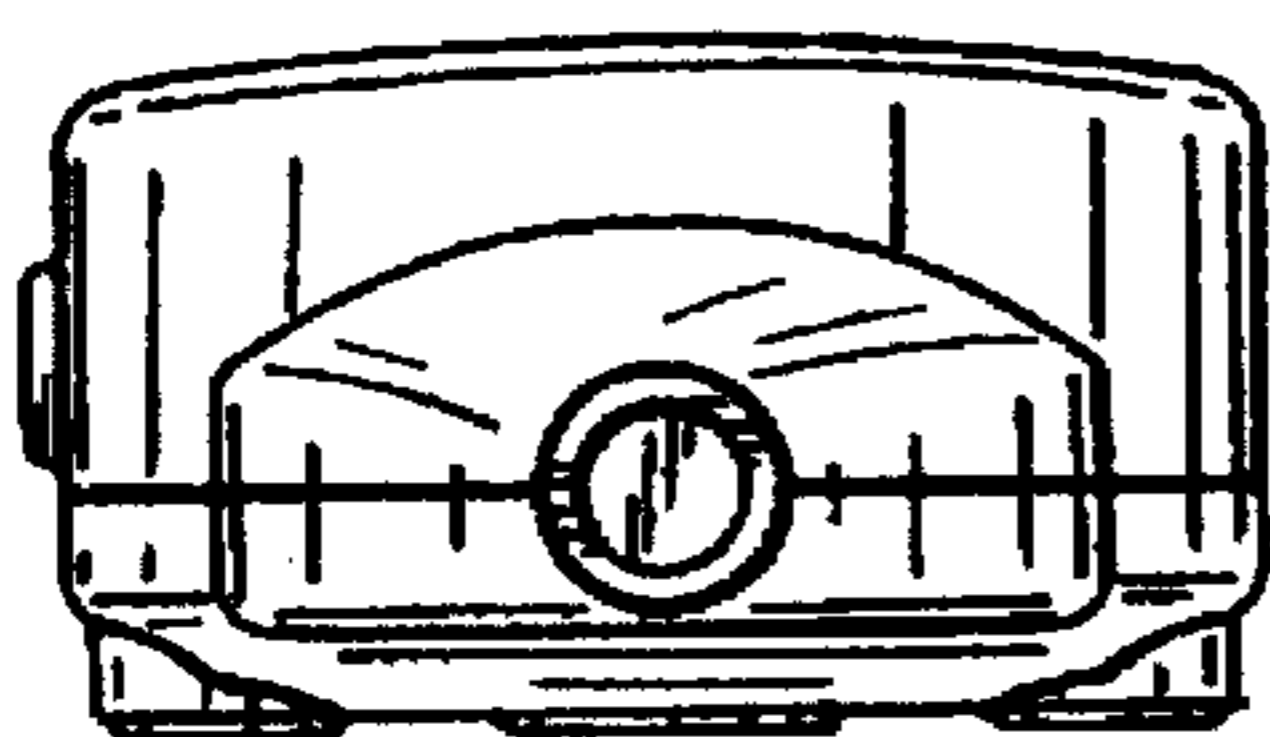


FIG. 8

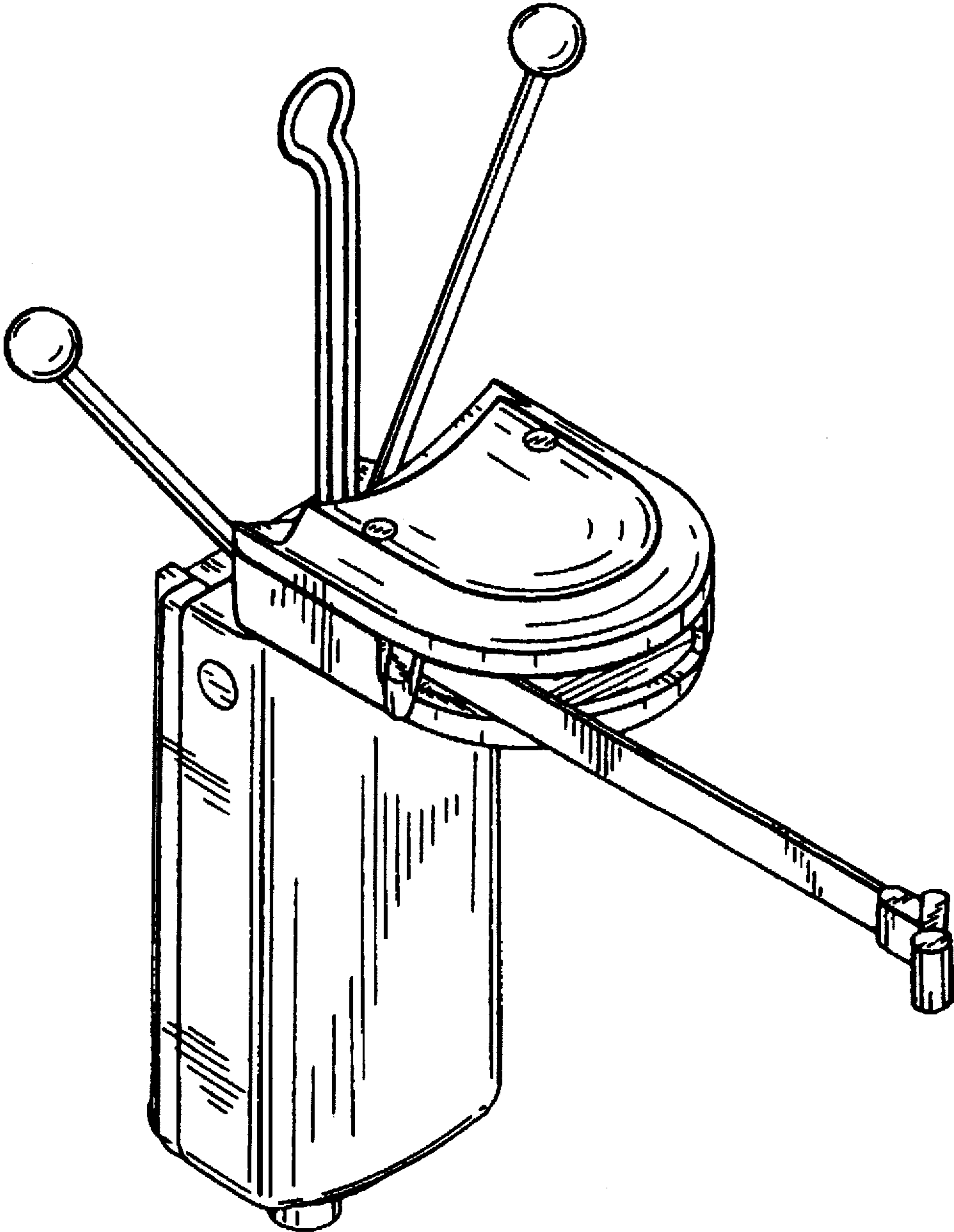


FIG. 9

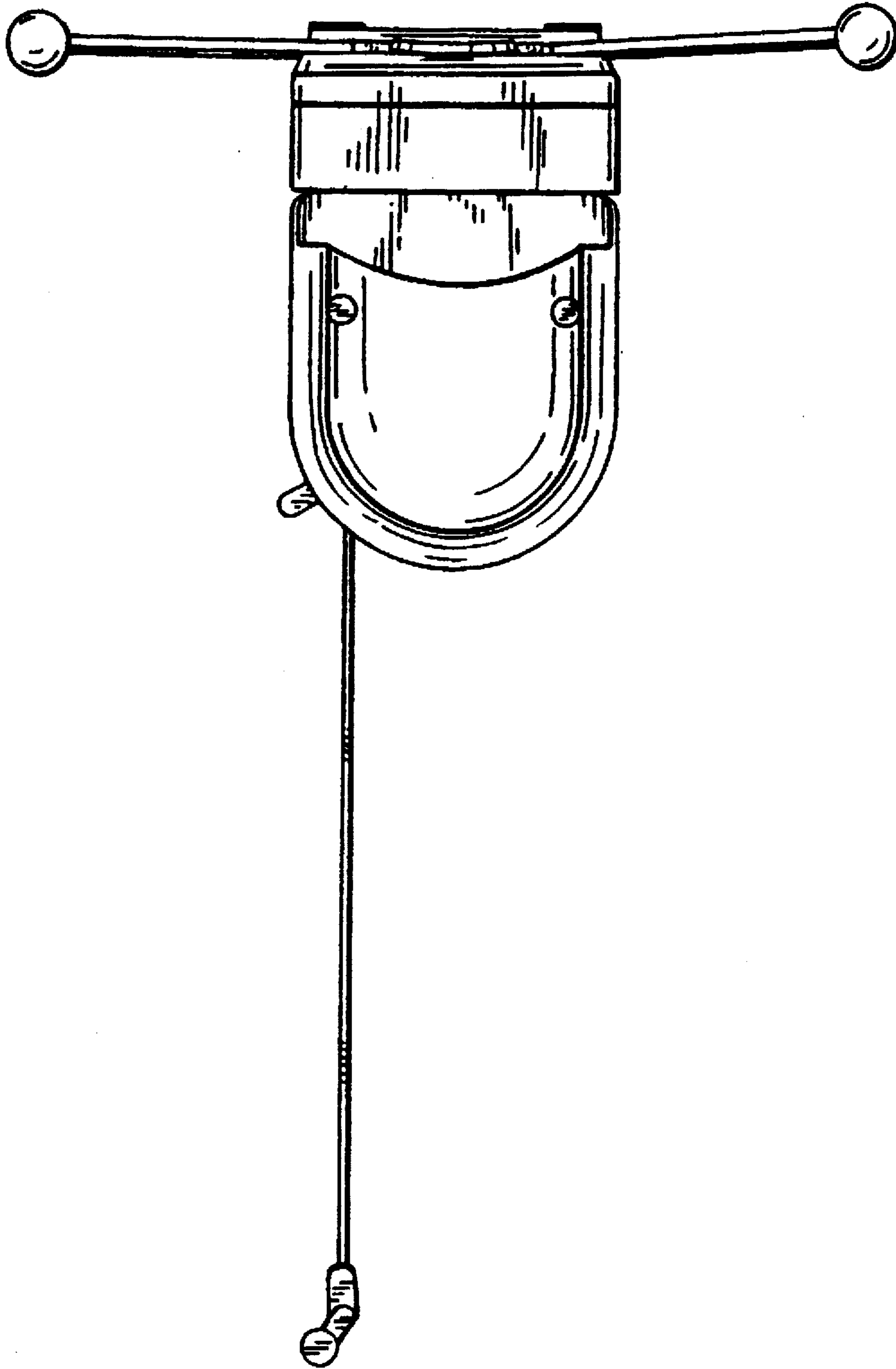


FIG. 10

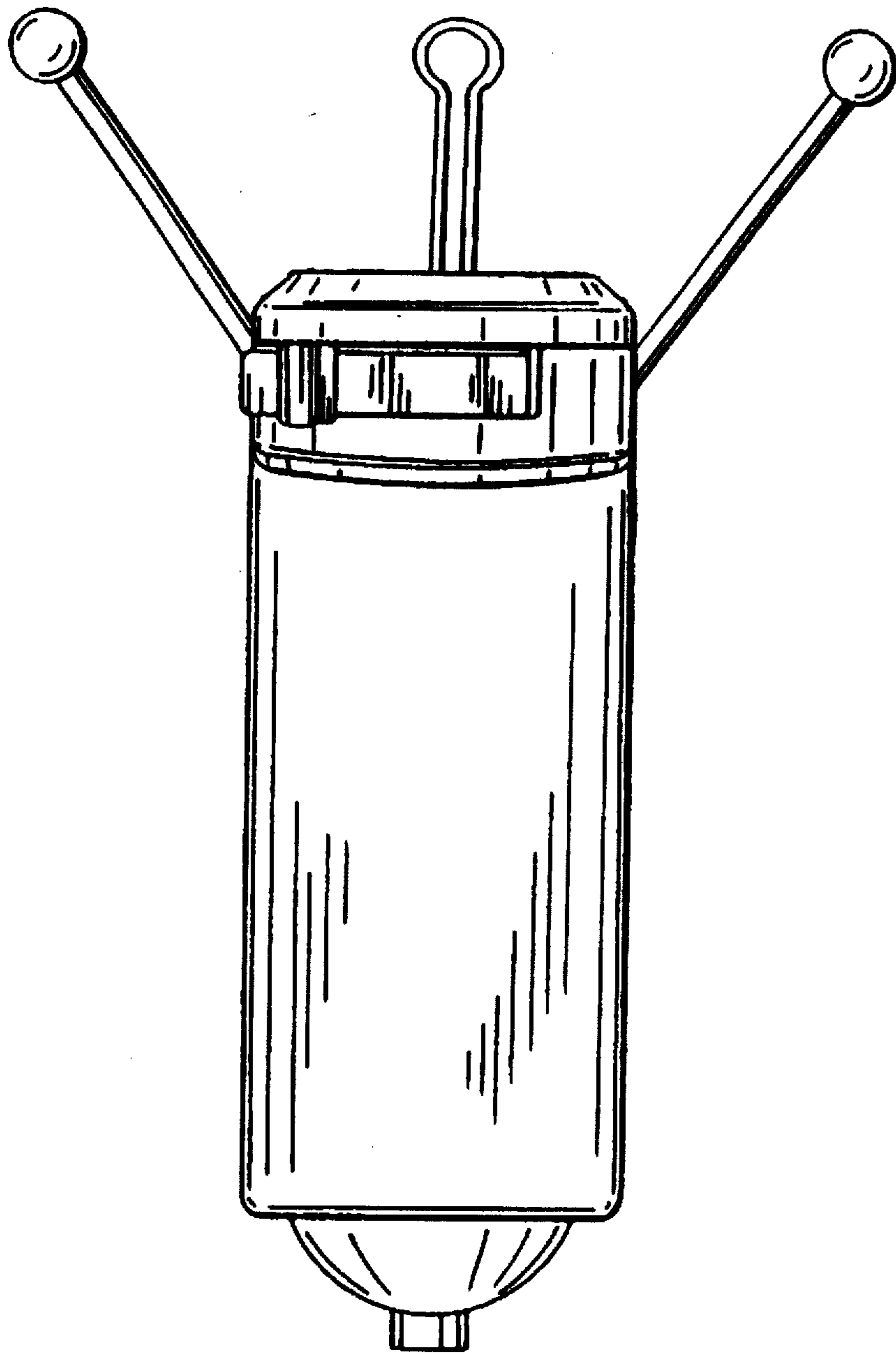


FIG. 11

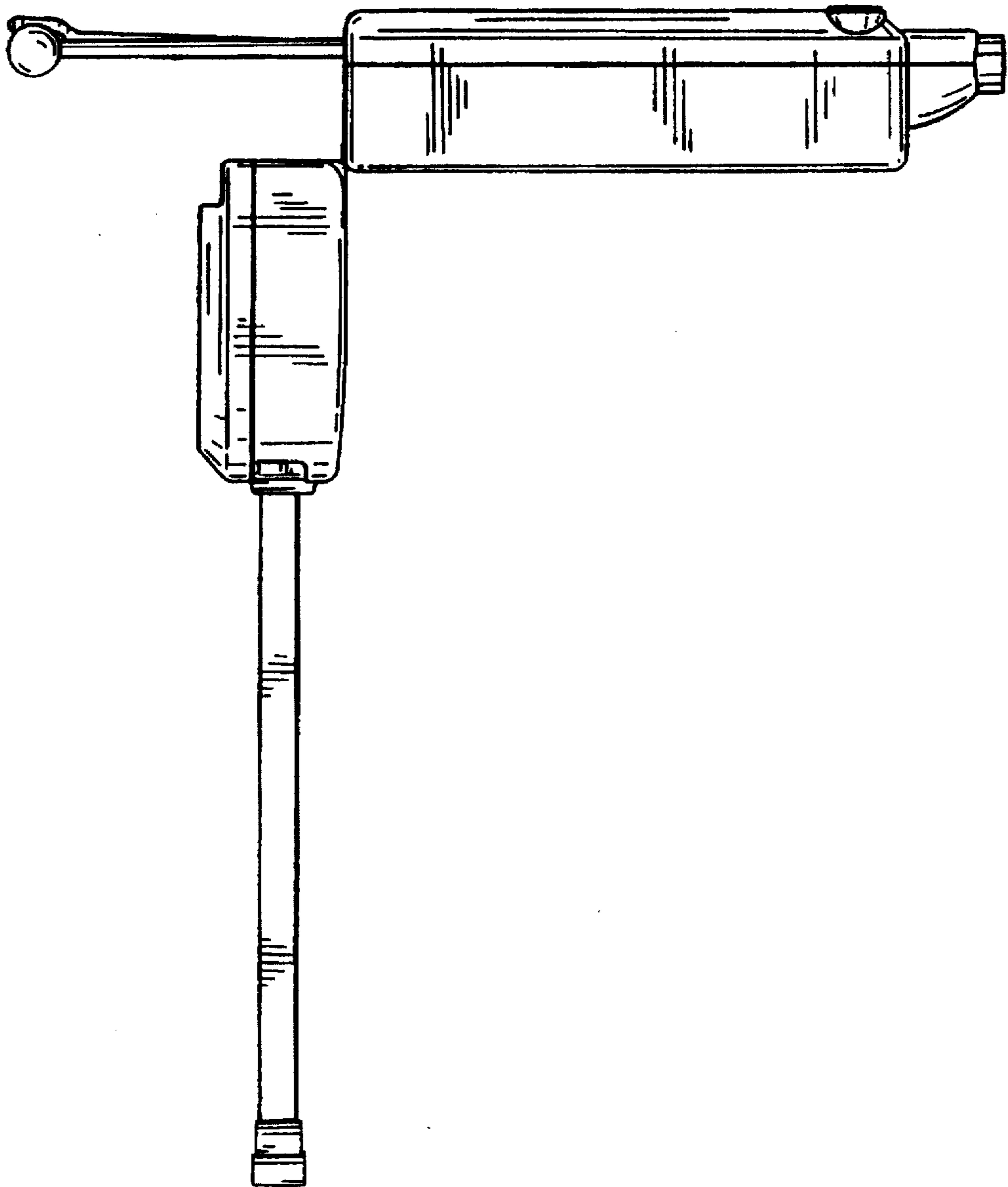


FIG. 12

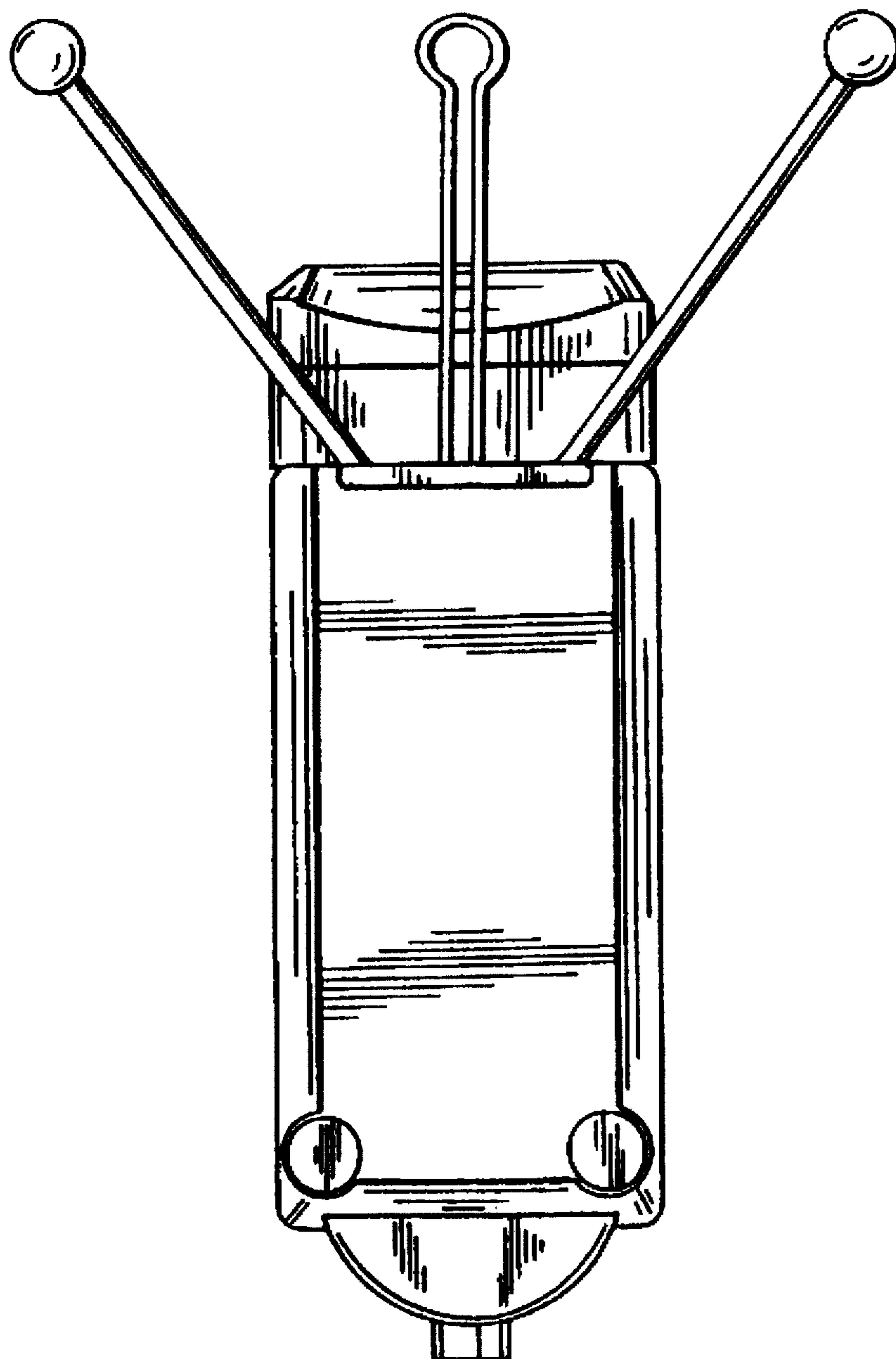


FIG. 13

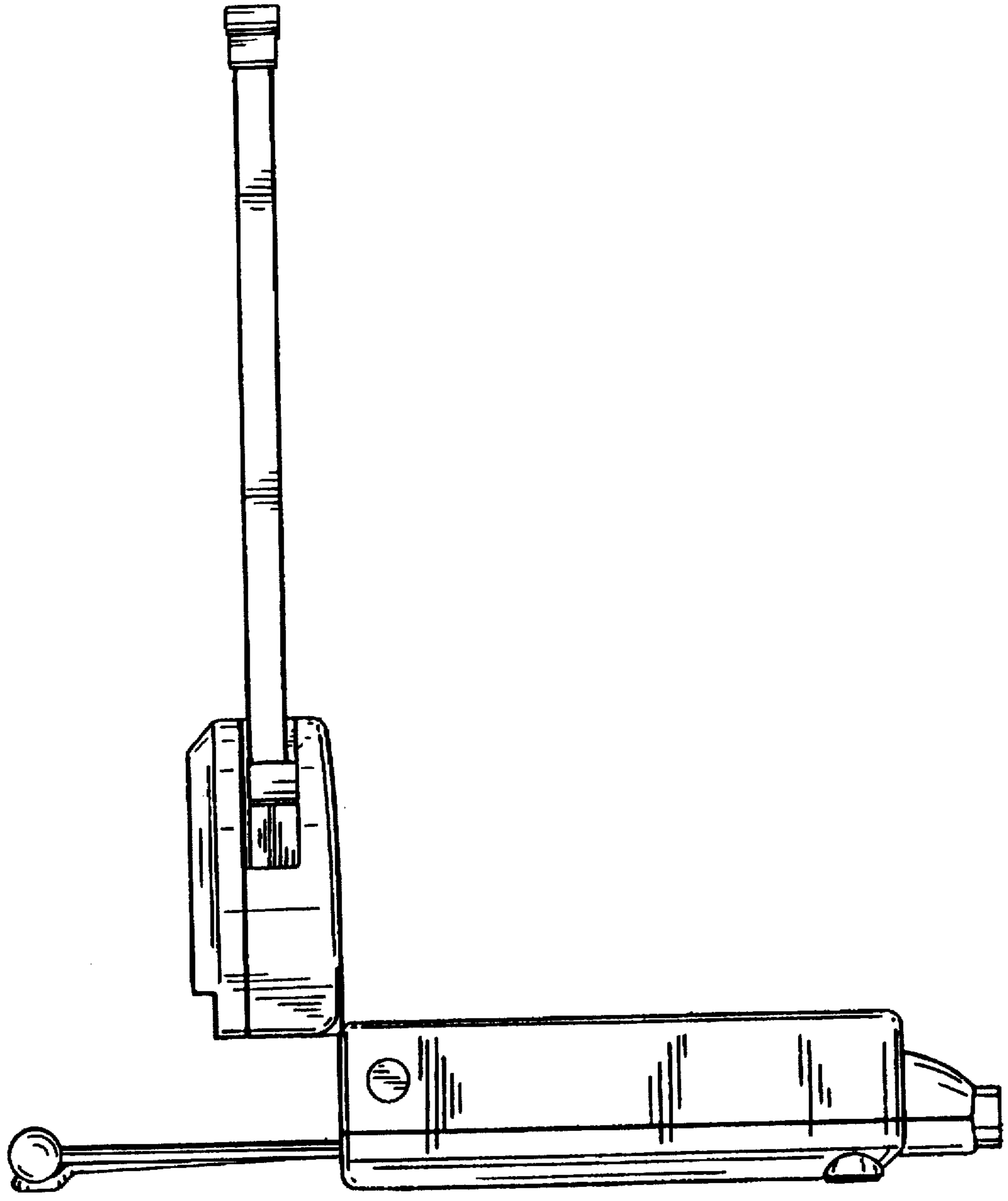


FIG. 14

