



US00D389129S

# United States Patent [19] Guintoli

[11] Patent Number: **Des. 389,129**  
[45] Date of Patent: **\*\*Jan. 13, 1998**

[54] **TOUCH PAD**

[75] Inventor: **Domenic S. Guintoli**, Seattle, Wash.  
[73] Assignee: **Stratos Product Development Group, Inc.**, Seattle, Wash.  
[\*\*] Term: **14 Years**

[21] Appl. No.: **53,549**  
[22] Filed: **Apr. 24, 1996**

[51] LOC (6) Cl. .... **14-02**  
[52] U.S. Cl. .... **D14/114; D14/115; D14/106**  
[58] Field of Search ..... **D14/114, 100, D14/106, 101, 113, 115; D21/48; 345/156-167; 200/5 A, 5 R, 6 A, 6 R; 273/148 B; 74/471**

[56] **References Cited**

**U.S. PATENT DOCUMENTS**

D. 359,036	6/1995	Mandel	.....	D14/114
D. 361,553	8/1995	DeIulfts	.....	D14/106
D. 375,492	11/1996	Chung	.....	D14/115
D. 376,356	12/1996	Chung	.....	D14/115
5,452,960	9/1995	Kuhlenschmidt	.....	D14/115

**OTHER PUBLICATIONS**

Product Brochure for **GlidePoint Portable Round Mouse Port PS/2 Version**; Cirque Corporation; date unknown.  
Product Brochures for **Wacom 4x5 Artpad**; date unknown.  
Product Brochures for **Kurta 6x8 Graphics Tablet**; date unknown.

Photocopy of Hagiwara Sys-Com Point Pad; Model No. HSC-PJ001D (PS/2); date unknown.  
Advertisement for "Handwriter"; date unknown.

*Primary Examiner*—Kay H. Chin  
*Attorney, Agent, or Firm*—Christensen O'Connor Johnson & Kindness PLLC

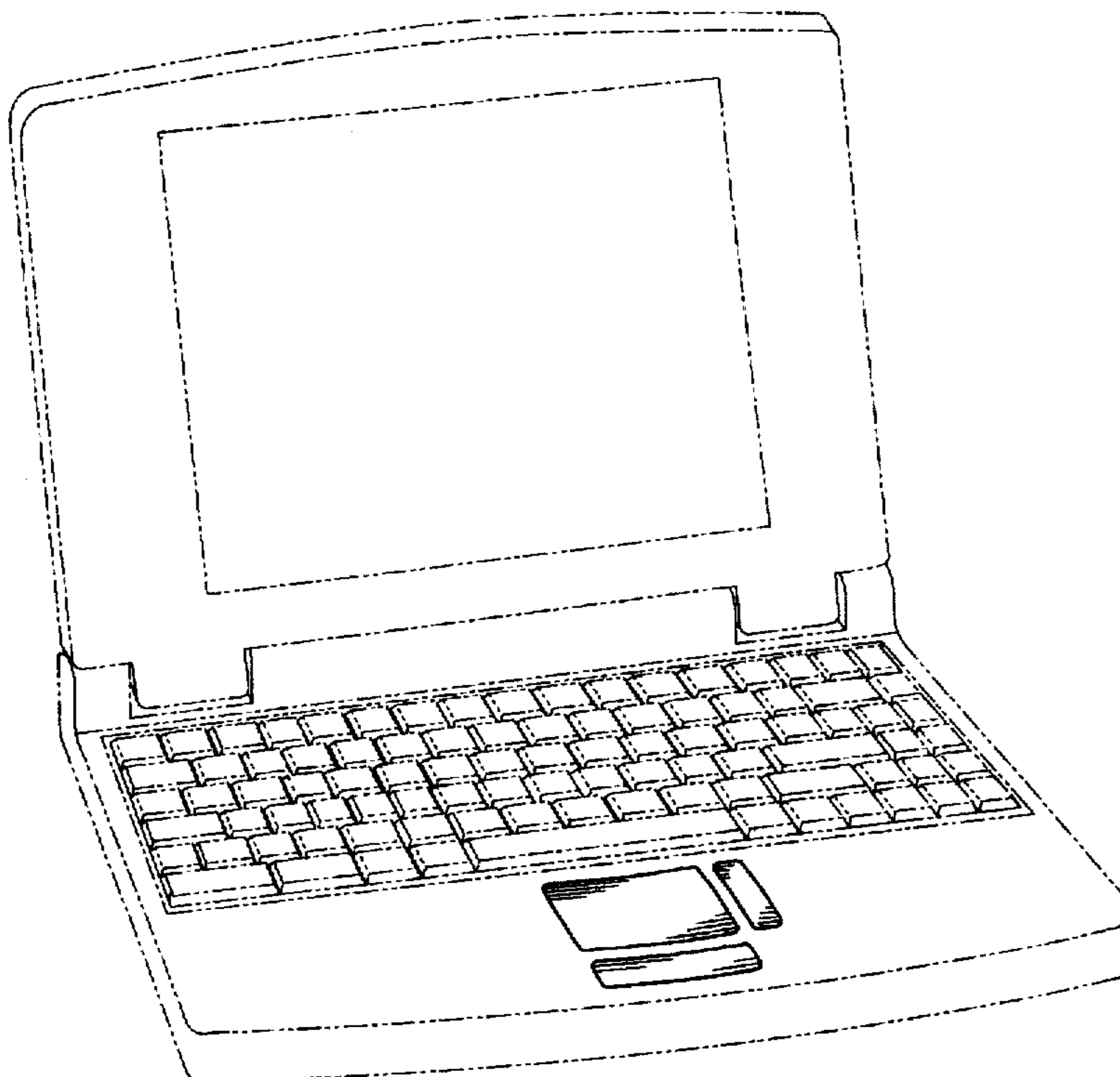
[57] **CLAIM**

The ornamental design for a touch pad, as shown and described.

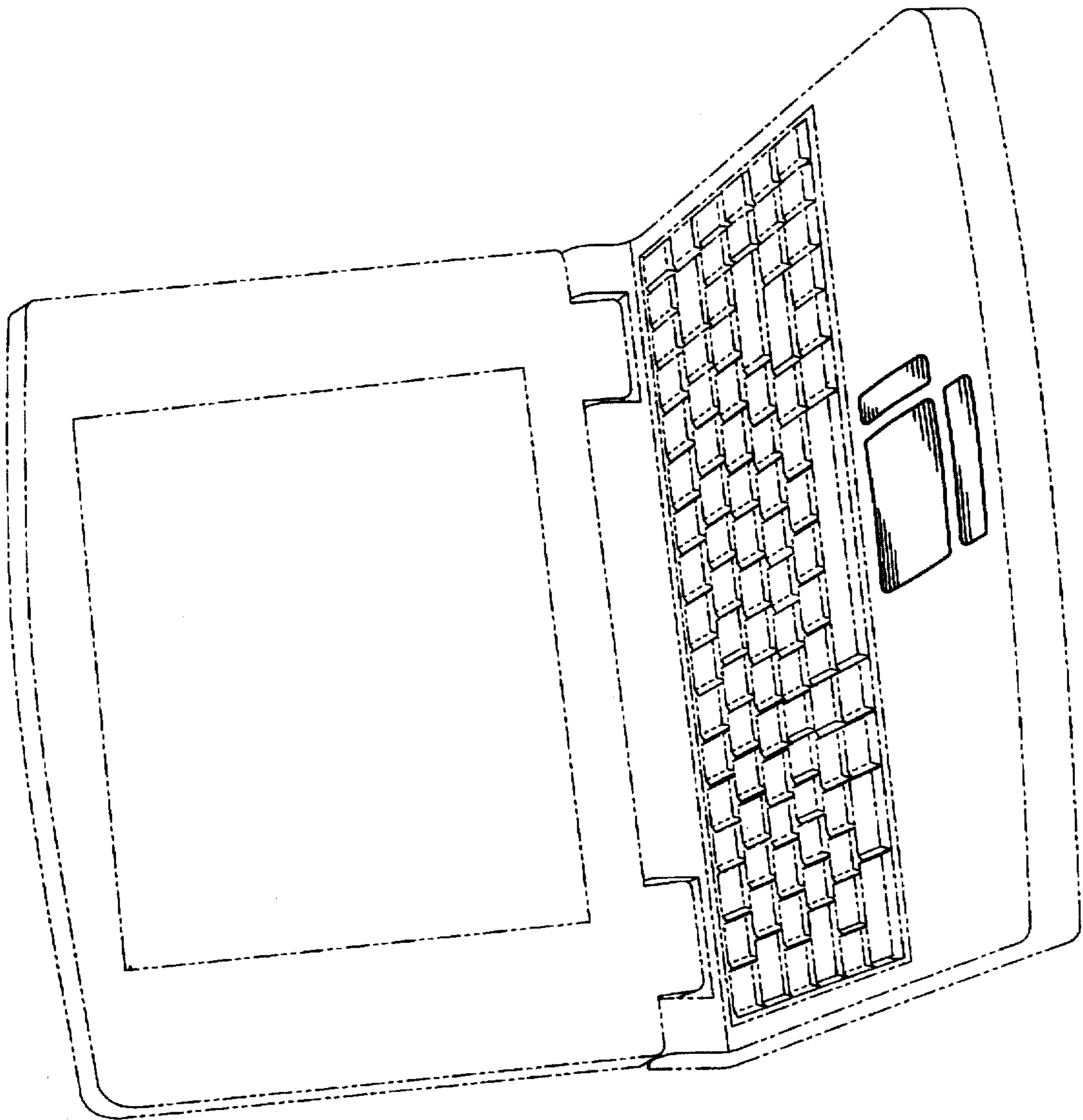
**DESCRIPTION**

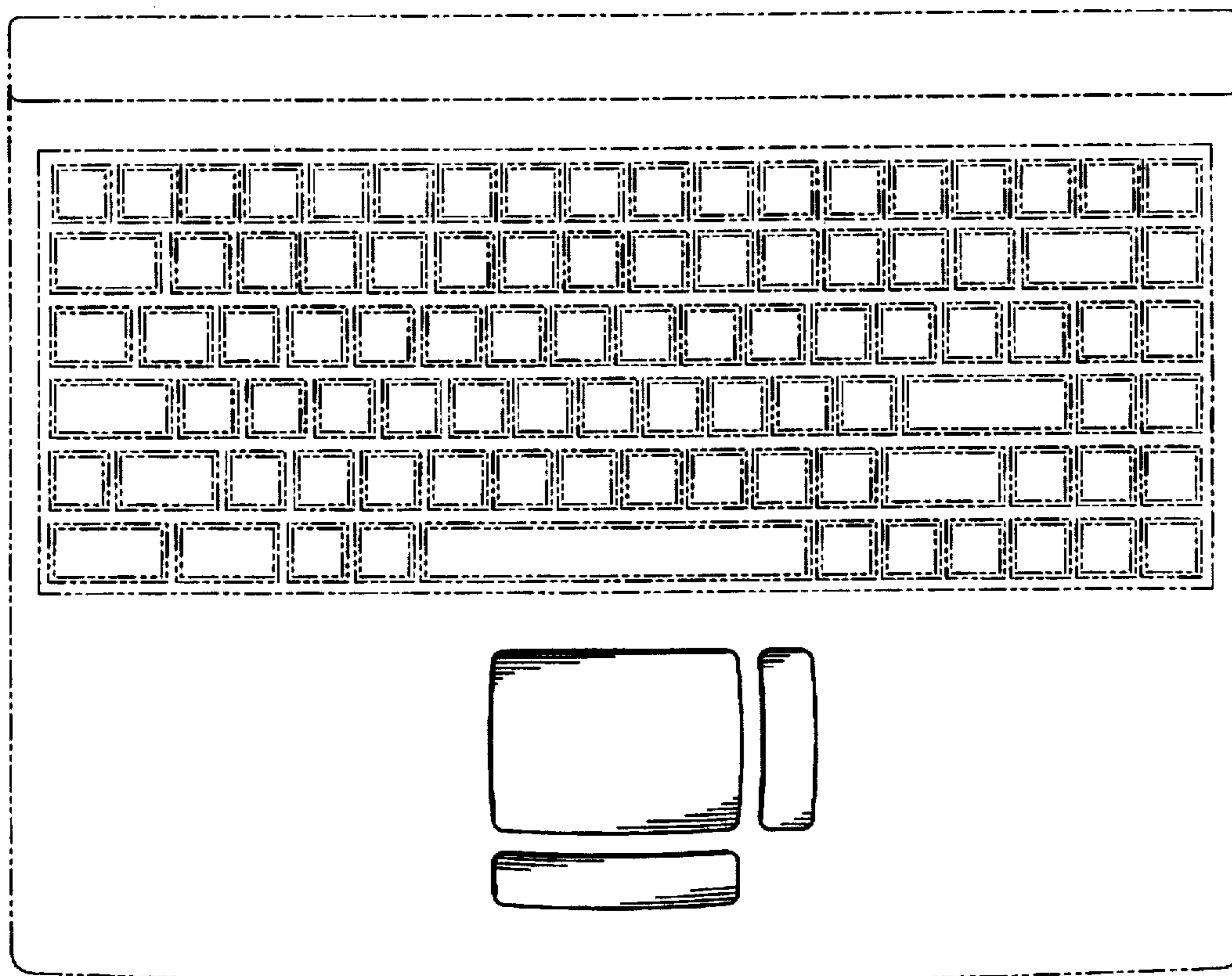
FIG. 1 is a perspective view of a touch pad showing my new design;  
FIG. 2 is a top view thereof;  
FIG. 3 is a perspective view of a second embodiment of the touch pad showing my new design;  
FIG. 4 is a top view of the second embodiment thereof;  
FIG. 5 is a perspective view of a third embodiment of the touch pad showing my design;  
FIG. 6 is a top view of the third embodiment thereof;  
FIG. 7 is a perspective view of a fourth embodiment of the touch pad showing my new design; and,  
FIG. 8 is a top view of the fourth embodiment thereof;  
The broken line showing of the representative lap top computer and discreet touch pad in which my new design is shown is for illustrative purposes only and forms no part of the claimed design.

**1 Claim, 6 Drawing Sheets**



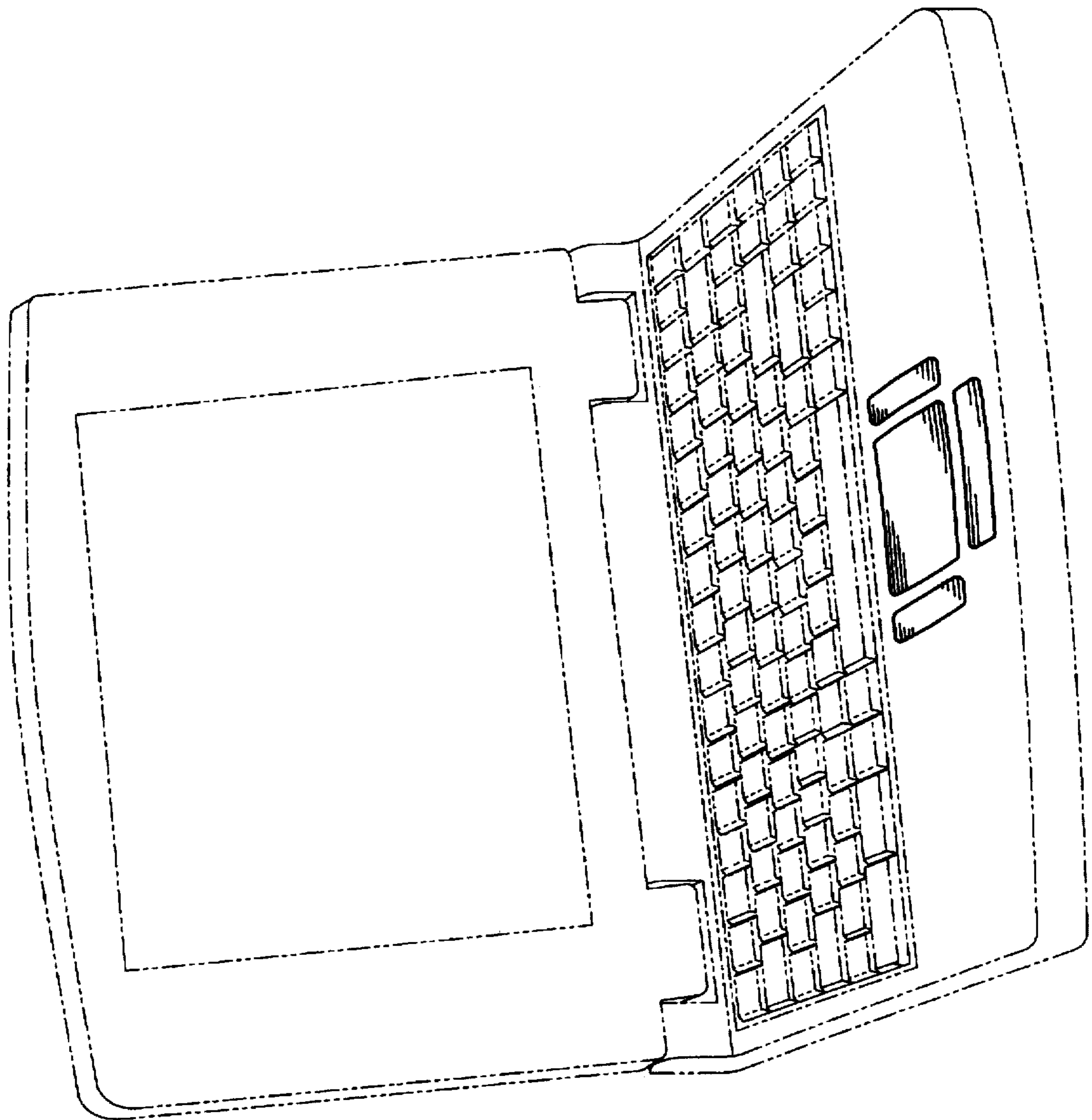
*Fig. 1.*



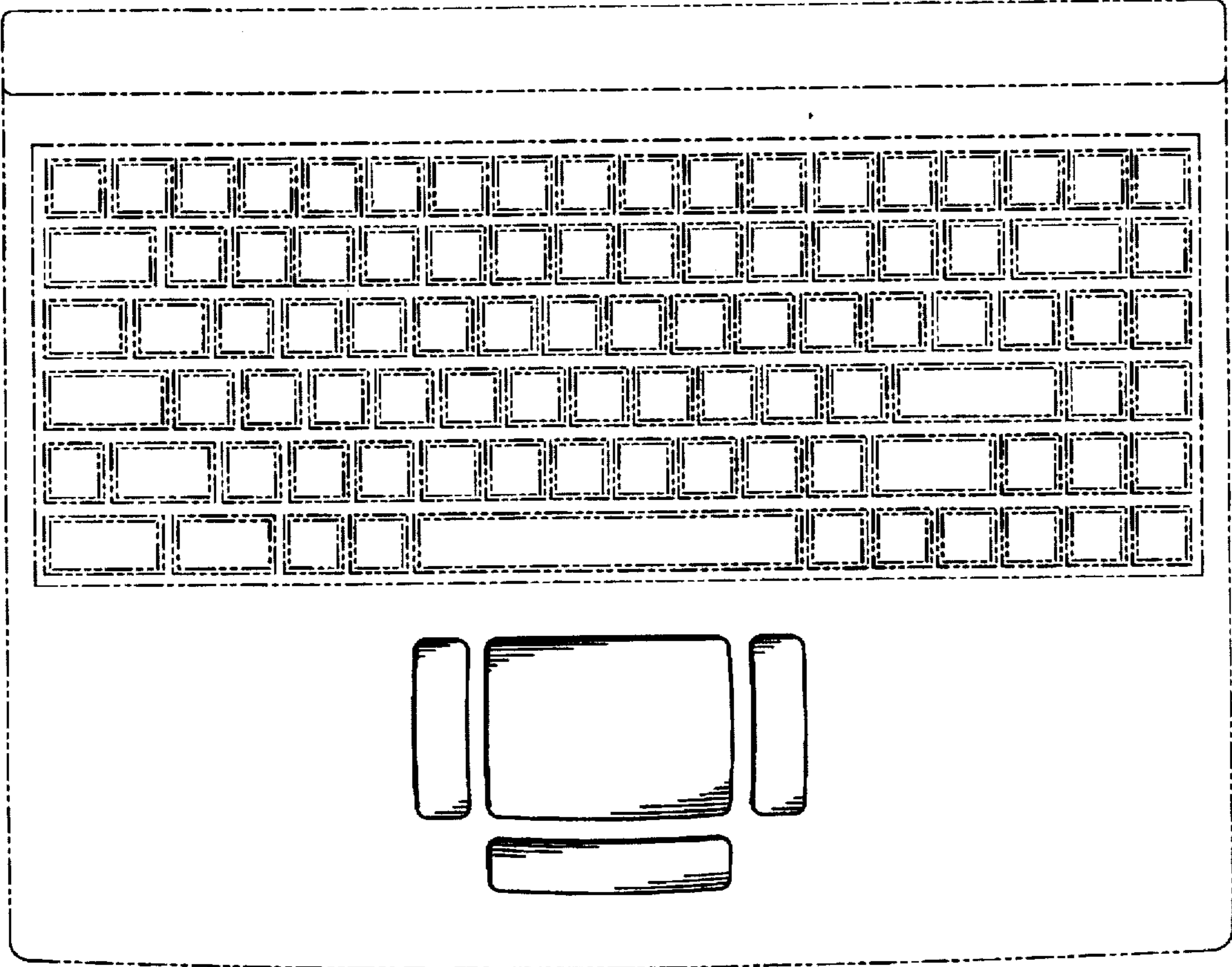


*Fig. 2.*

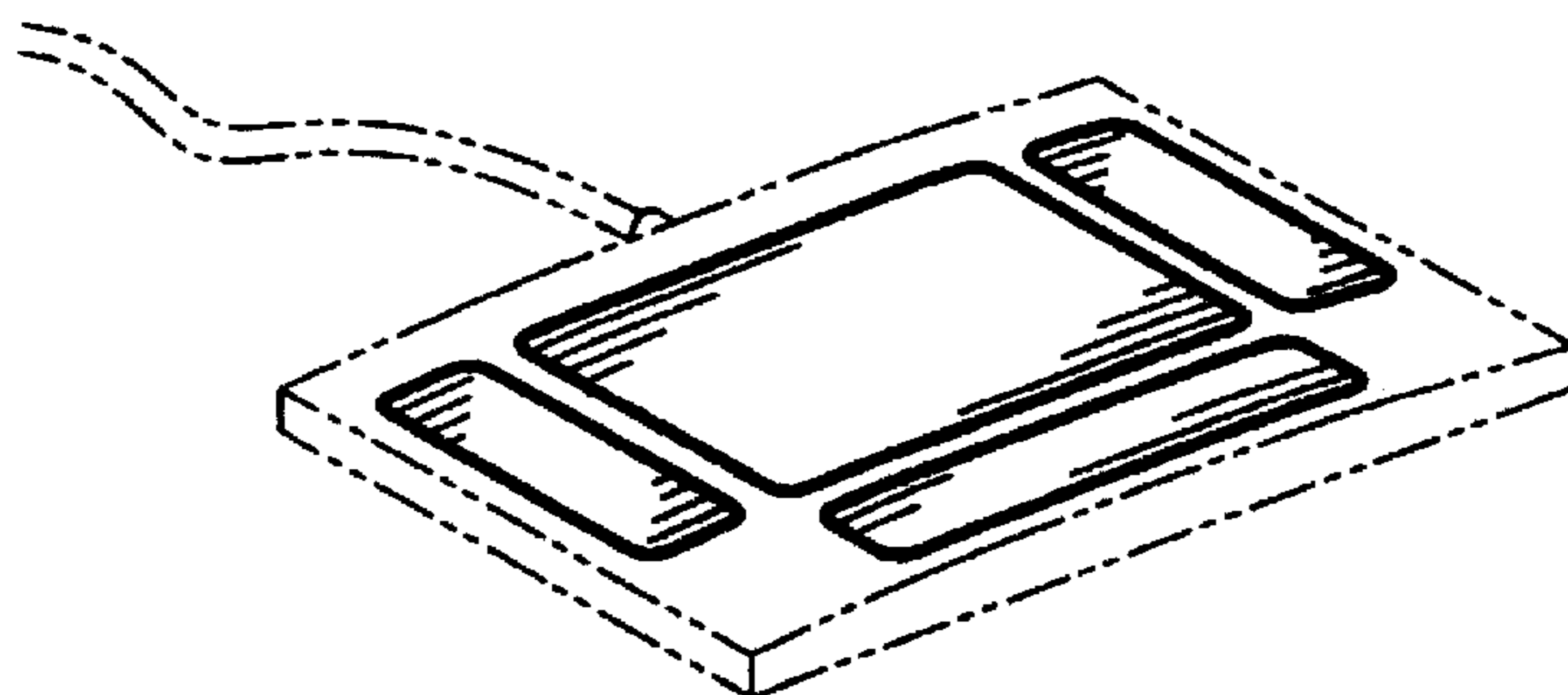
*Fig. 3.*



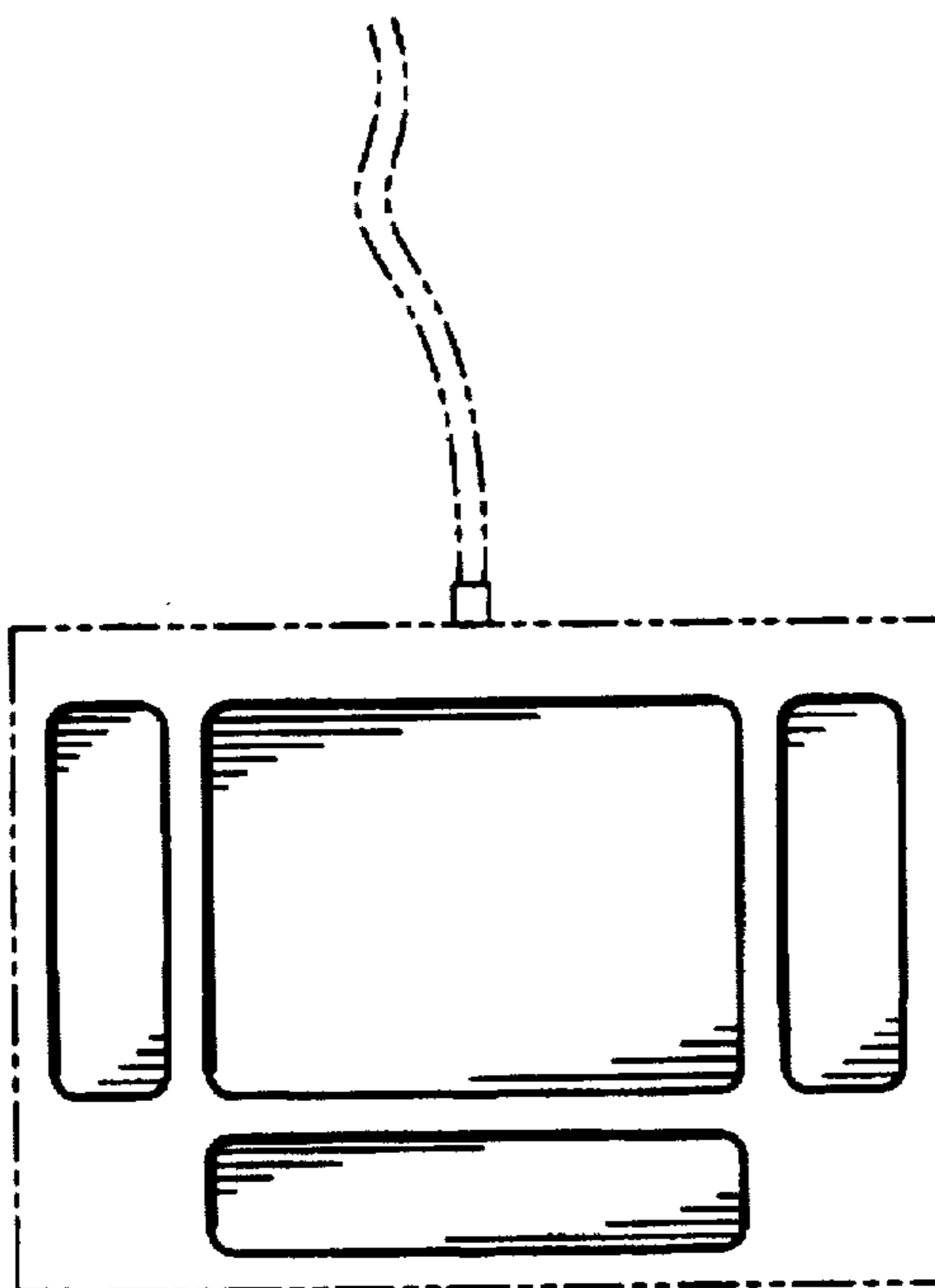




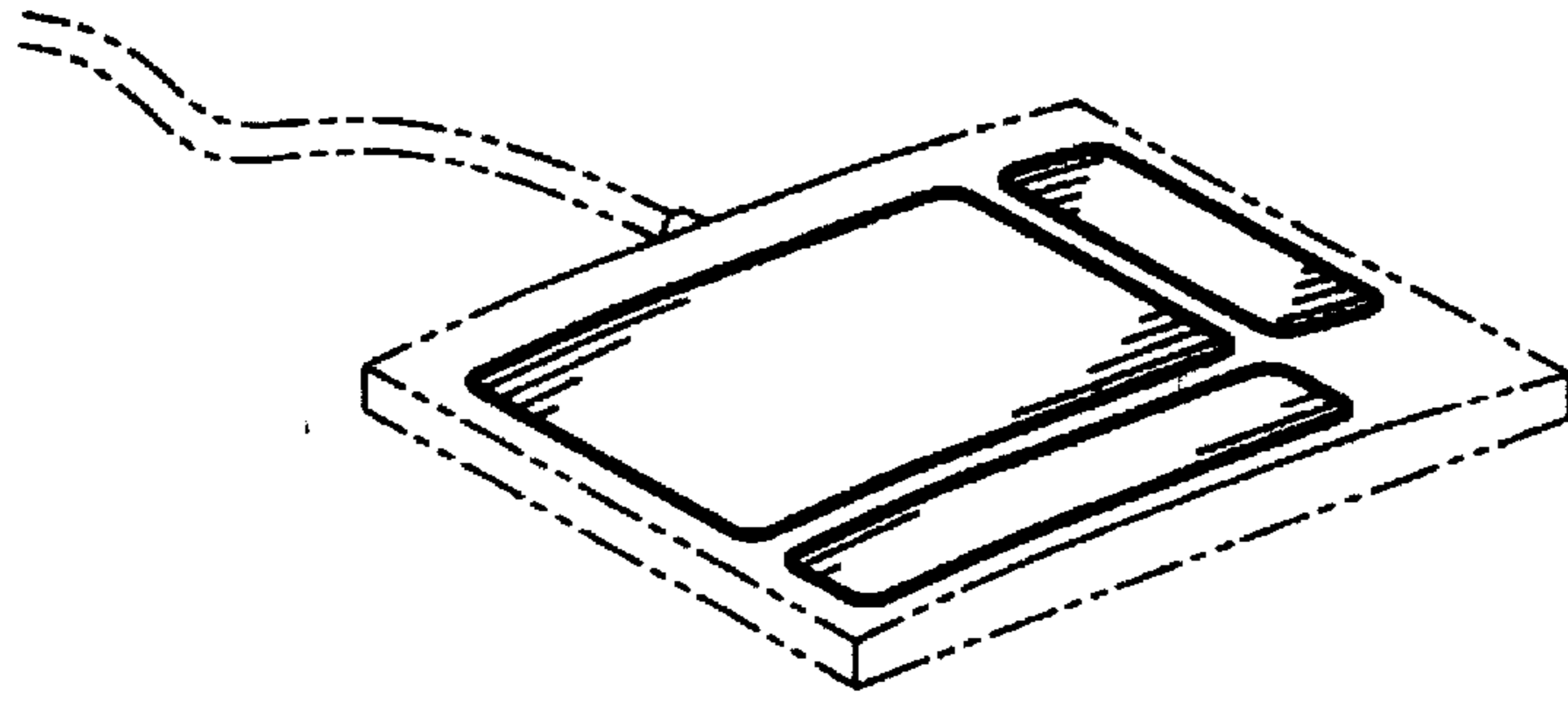
*Fig. 4.*



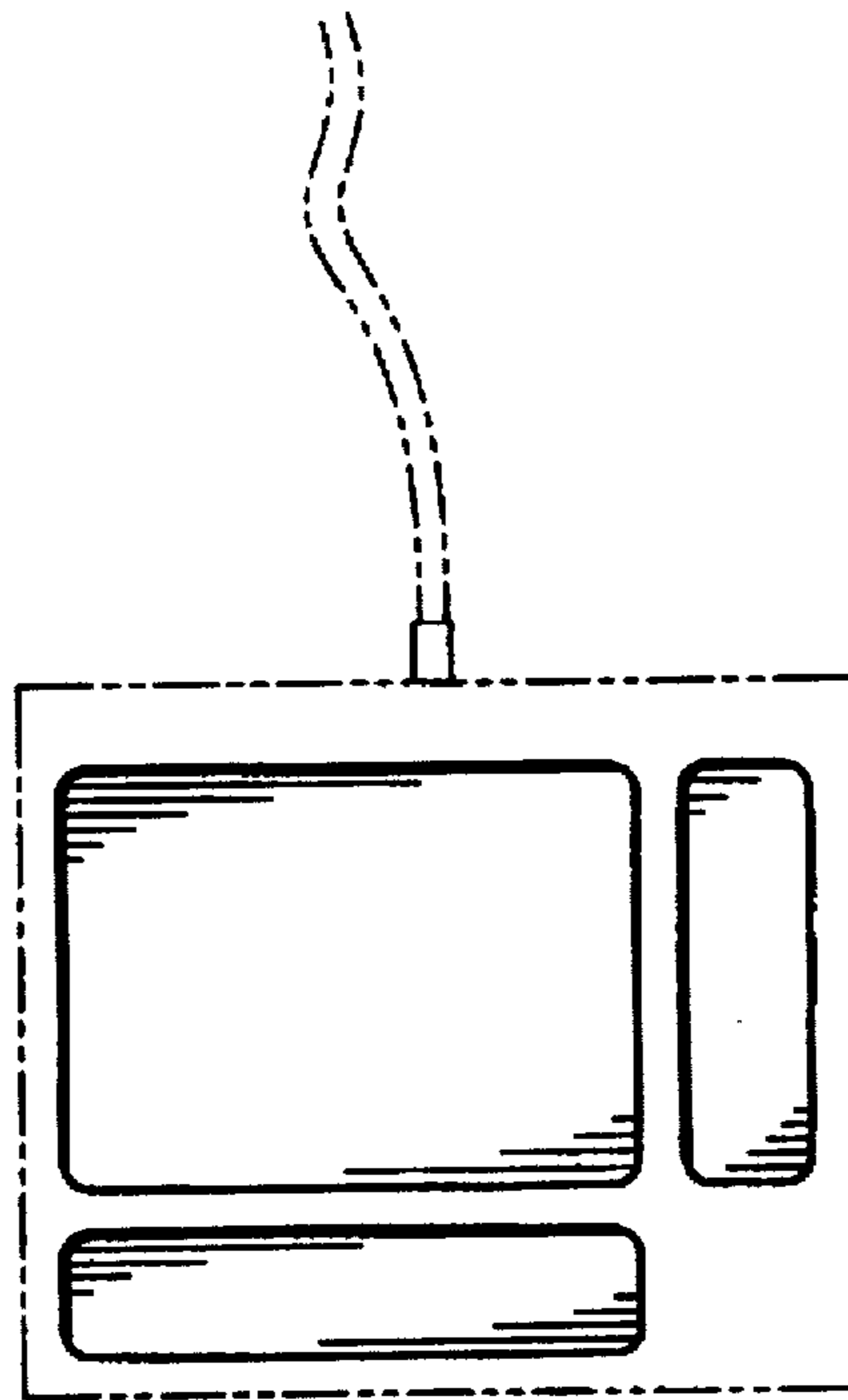
*Fig. 5.*



*Fig. 6.*



*Fig. 7.*



*Fig. 8.*