



US00D389127S

United States Patent [19] Iino

[11] Patent Number: **Des. 389,127**
[45] Date of Patent: ****Jan. 13, 1998**

[54] **COMPUTER**

[75] Inventor: **Masaaki Iino**, Souka, Japan

[73] Assignee: **Kabushiki Kaisha Toshiba**, Kawasaki, Japan

[**] Term: **14 Years**

[21] Appl. No.: **52,855**

[22] Filed: **Apr. 10, 1996**

[30] **Foreign Application Priority Data**

Oct. 12, 1995 [JP] Japan 7-30269

[51] LOC (6) Cl. **14-02**

[52] U.S. Cl. **D14/106**

[58] Field of Search D14/100, 101,
D14/106, 113, 115; D18/1, 7; 235/145 A,
145 R; 341/22, 23; 345/104, 156, 168,
173; 361/680-686; 364/708.1; 400/486,
489, 160

[56] **References Cited**

U.S. PATENT DOCUMENTS

- D. 308,860 6/1990 Tsukada et al. .
- D. 311,527 10/1990 Fujii et al. .
- D. 312,822 12/1990 Watabe et al. .
- D. 321,176 10/1991 Ma .
- D. 324,674 3/1992 Iino .
- D. 331,919 12/1992 Sekino et al. .
- D. 336,465 6/1993 Kim .
- D. 340,920 11/1993 Okuda et al. .
- D. 349,278 8/1994 Wetrin .
- D. 350,121 8/1994 Kaneko .
- D. 351,377 10/1994 Yu .
- D. 356,069 3/1995 Lee .
- D. 363,471 10/1995 Shima et al. D14/106
- D. 364,687 11/1995 Chiba et al. D14/106
- D. 365,337 12/1995 Tsiang et al. D14/106
- D. 368,470 4/1996 Kondo D14/106
- D. 370,469 6/1996 Kondo D14/106
- D. 372,020 7/1996 Iino D14/106

FOREIGN PATENT DOCUMENTS

M 93 09 976 12/1993 Germany .

- 686658 9/1986 Japan .
- 746985 4/1989 Japan .
- 763855 6/1989 Japan .
- 893044 3/1994 Japan .
- 934416 9/1995 Japan .
- 115245 6/1991 Rep. of Korea .
- 115673 7/1991 Rep. of Korea .
- 118262 9/1991 Rep. of Korea .
- 115673 5/1992 Rep. of Korea .

OTHER PUBLICATIONS

- Denpa Shinbun (Newspaper) ATT WaveNote. Issued Oct. 27, 1993.
- PowerLite. Issued: Dec. 9, 1994.
- Multispeed EL Model—The Bright Move article 1988.
- OKI if 386 AX, two pages, Dec. 9, 1988.

(List continued on next page.)

Primary Examiner—Freda Nunn
Attorney, Agent, or Firm—Banner & Witcoff, Ltd.

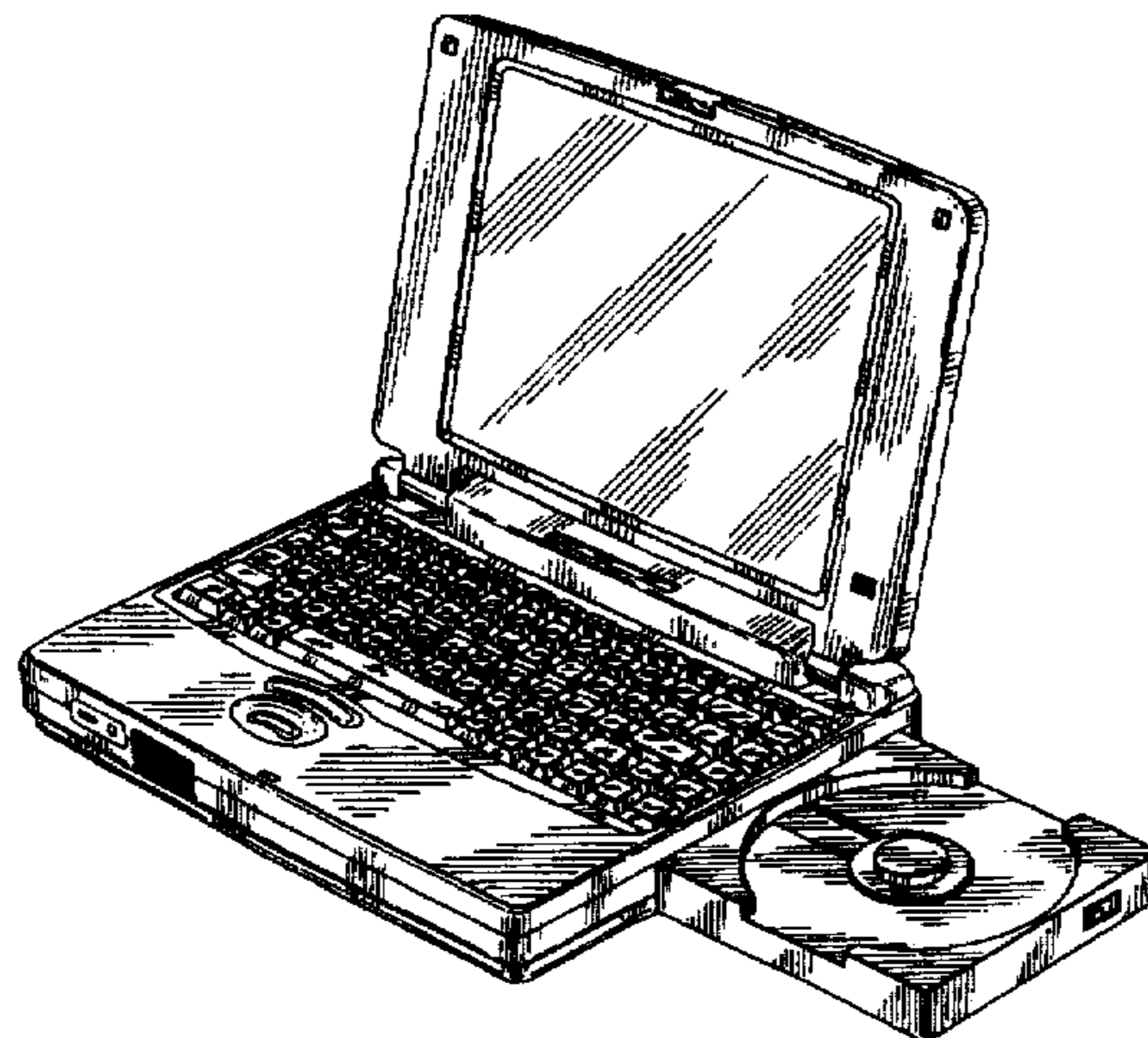
[57] **CLAIM**

The ornamental design for a computer, as shown and described.

DESCRIPTION

FIG. 1 is a front, top and right side perspective view of a computer, showing my new design;
 FIG. 2 is a front elevational view thereof;
 FIG. 3 is a top plan view thereof;
 FIG. 4 is a left side elevational view thereof;
 FIG. 5 is a right side elevational view thereof;
 FIG. 6 is a rear elevational view thereof;
 FIG. 7 is a top plan view thereof with the cover in a closed state;
 FIG. 8 is a front elevational view thereof with the cover in a closed state;
 FIG. 9 is a right side elevational view thereof with the cover in a closed state;
 FIG. 10 is a bottom plan view in FIG. 2; and,
 FIG. 11 is a front, top and right side perspective view in FIG. 1 with the compact disk tray drawn away.

1 Claim, 4 Drawing Sheets



OTHER PUBLICATIONS

Ricoh-Magus, Feb. 1, 1990.

Mitsubishi Maxy (May 15, 1990), two pages.

NoteMaster 386S/16—S Nov. 12, 1990.

52 Note (May 15, 1991).

PowerLite SPARC, Feb. 14, 1994.

PFU S-4/Leia, microSPARC, Jun. 6, 1929.

Travel Mate—Texas Instruments, Feb. 5, 1992.

NEC Versa Mar. 19, 1994.

Denpa Sinbun Nihon NCR Oct. 27, 1993.

Mitac Japan Jul. 18, 1994.

FIG. 1

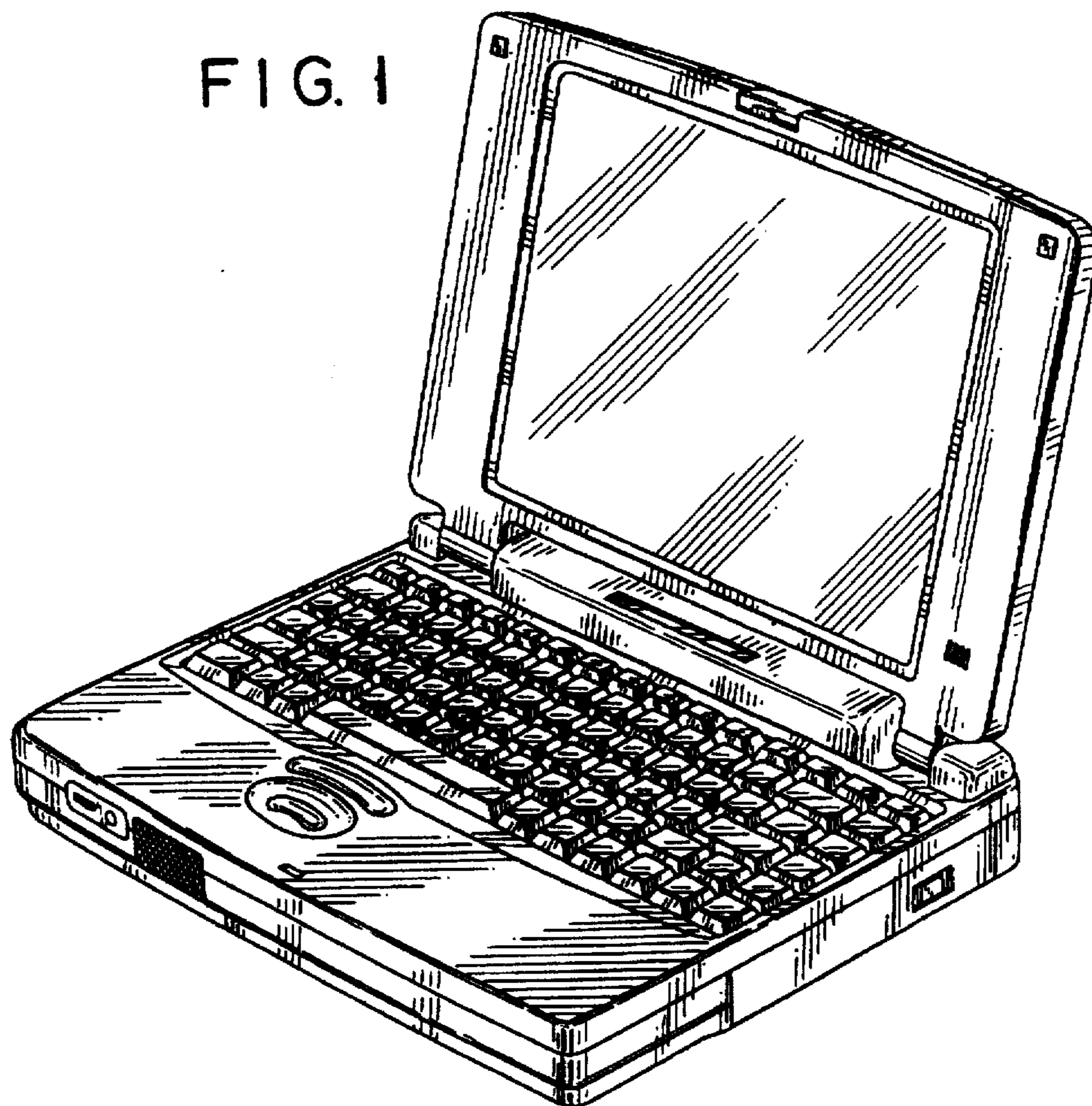


FIG. 2

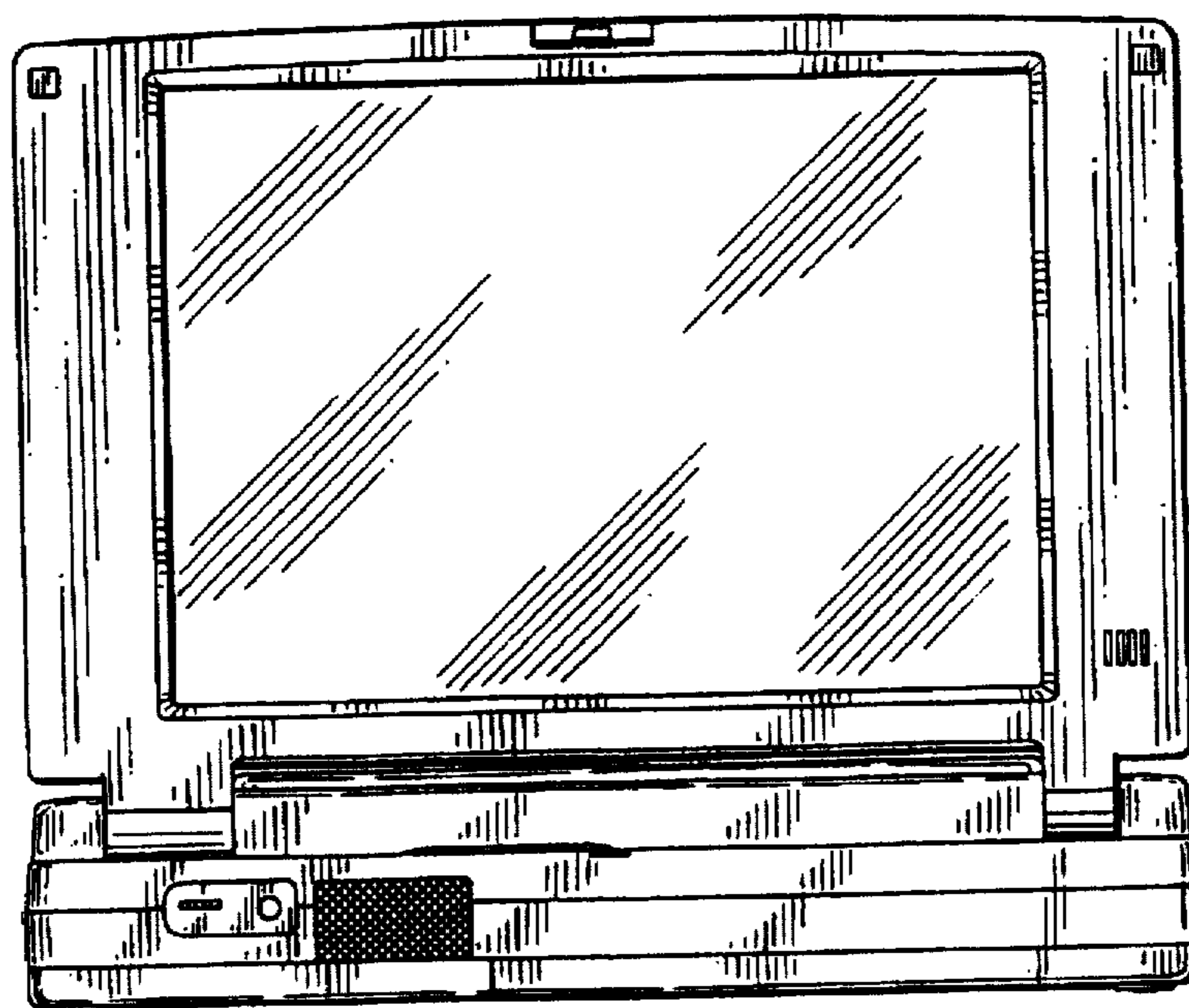


FIG. 3

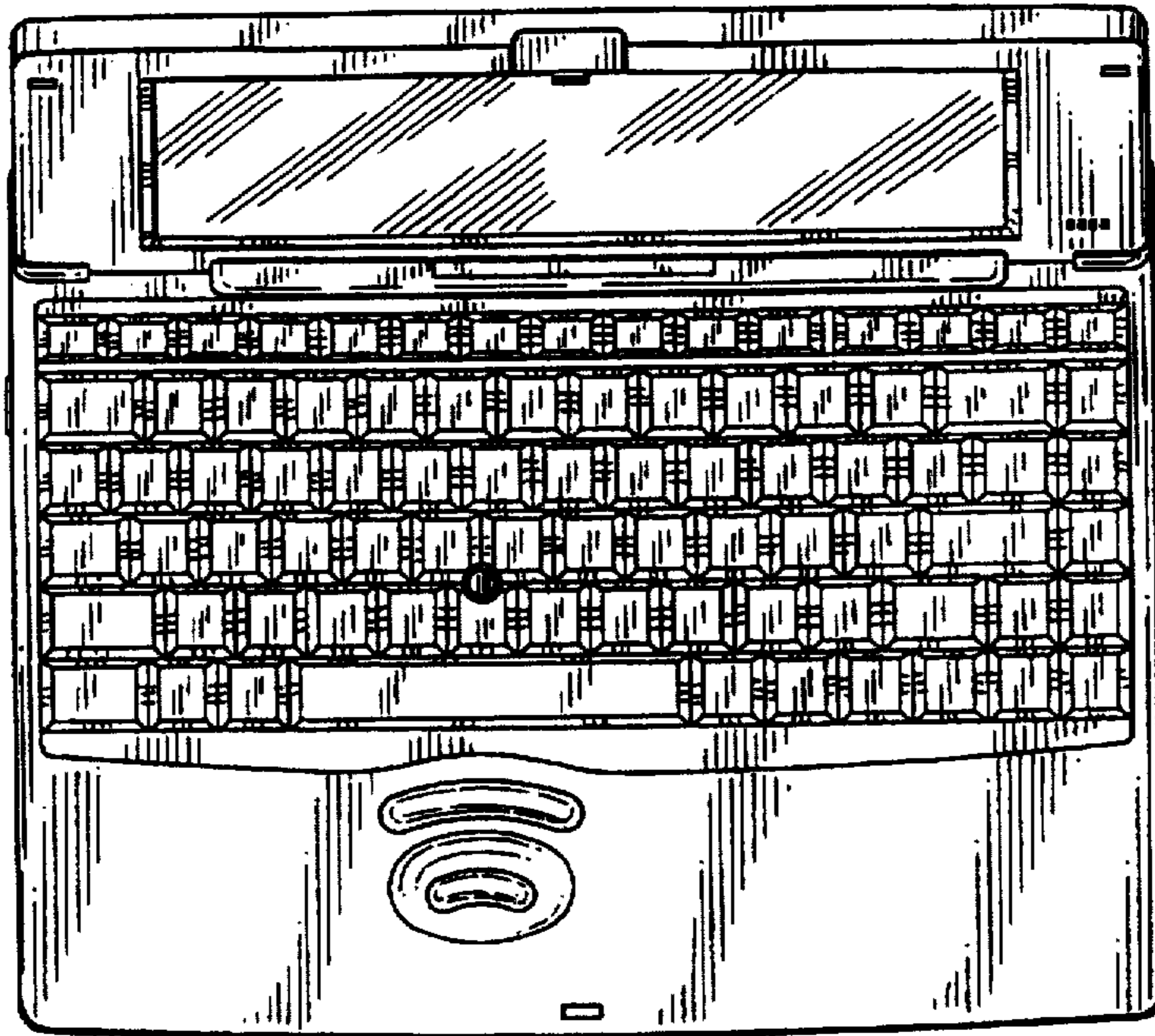


FIG. 4

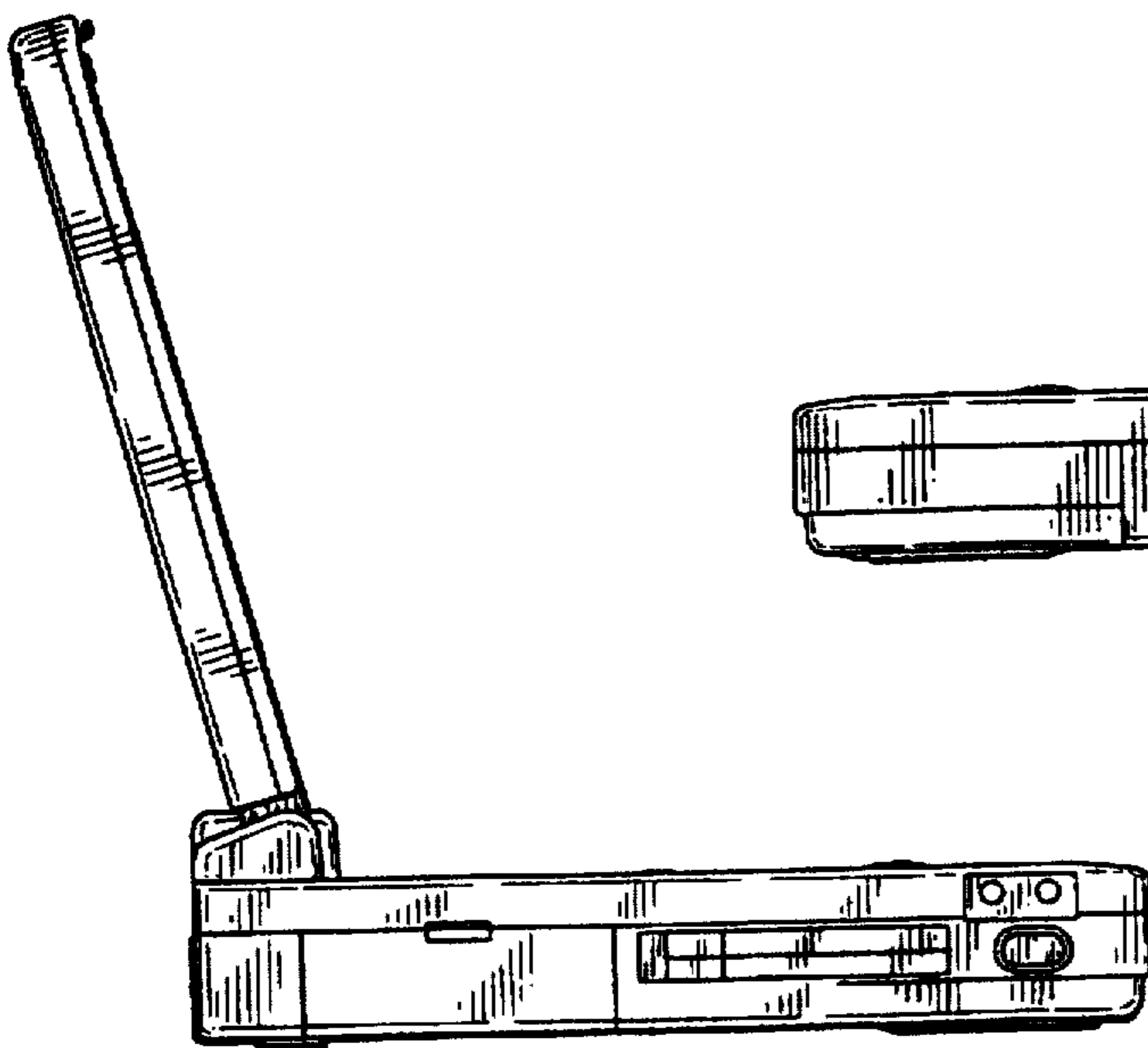


FIG. 5

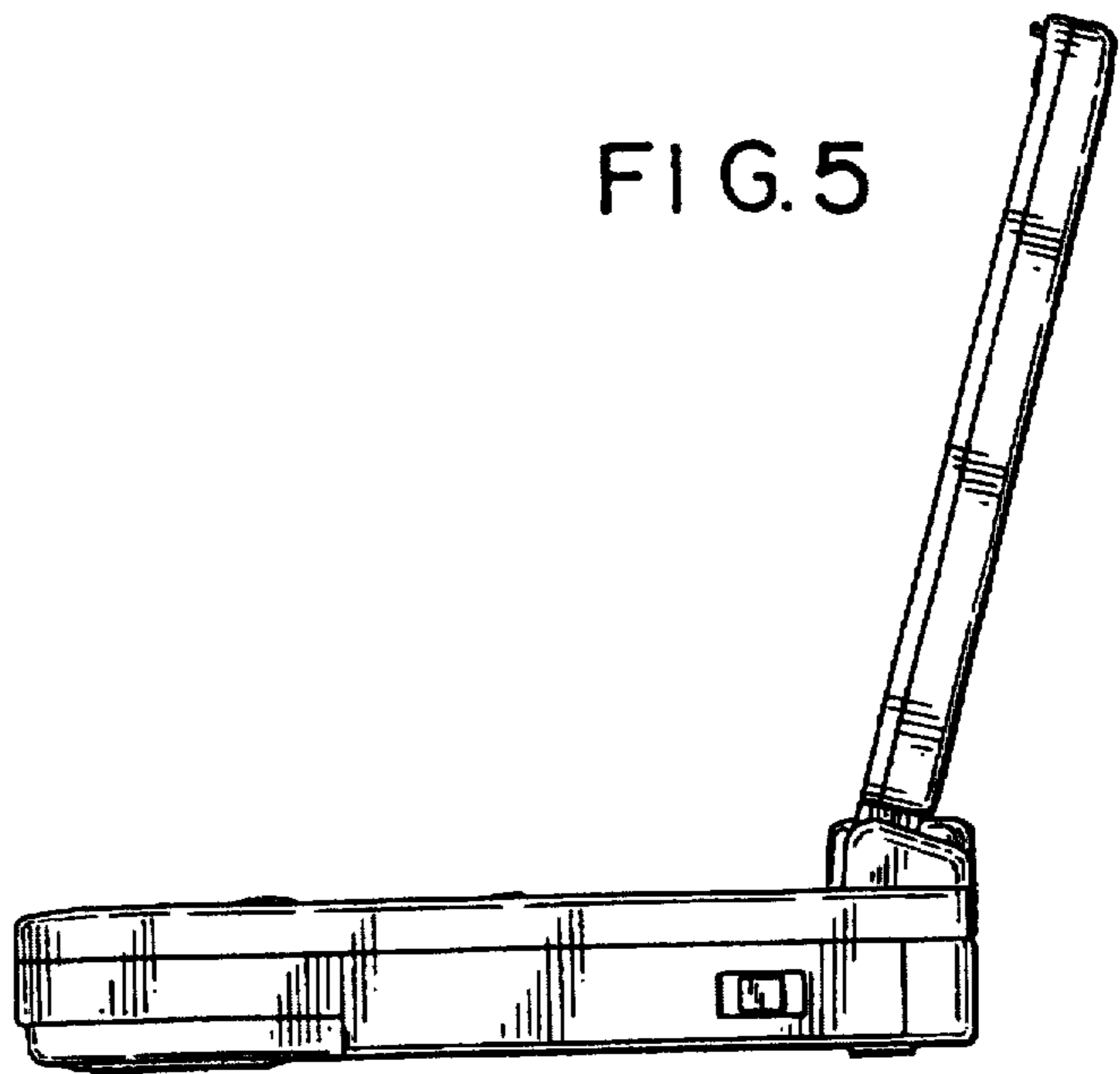


FIG. 6

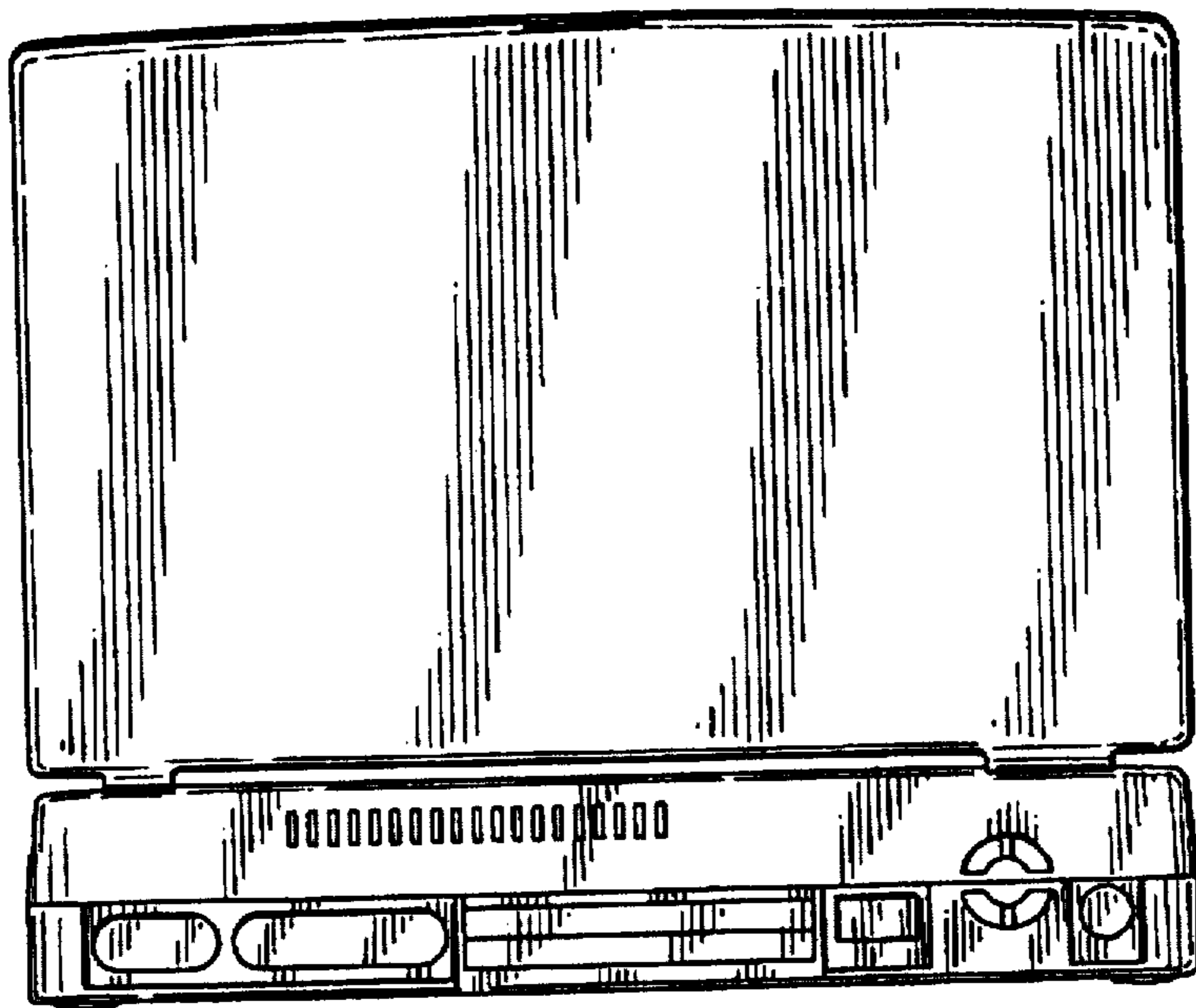


FIG. 7

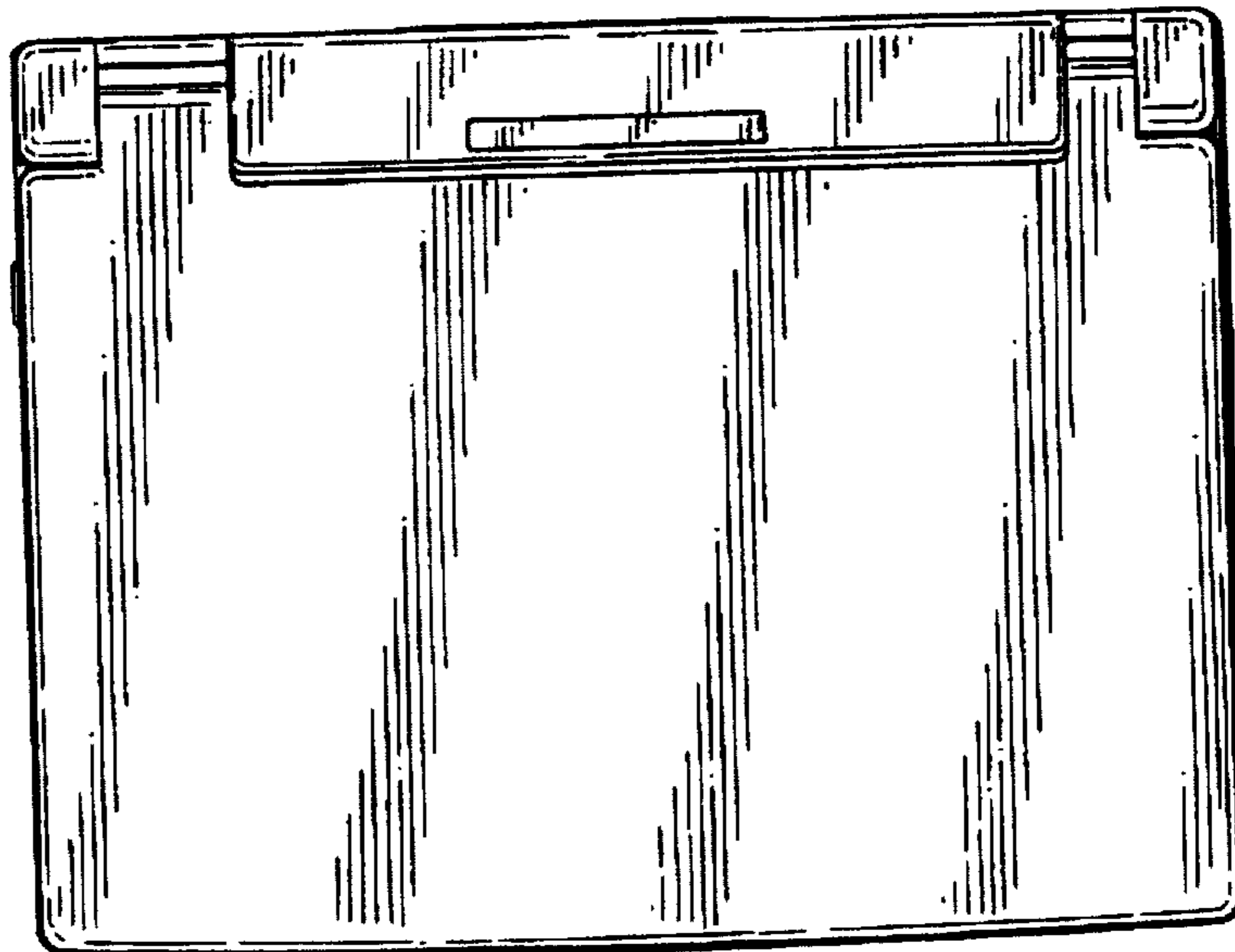


FIG. 8

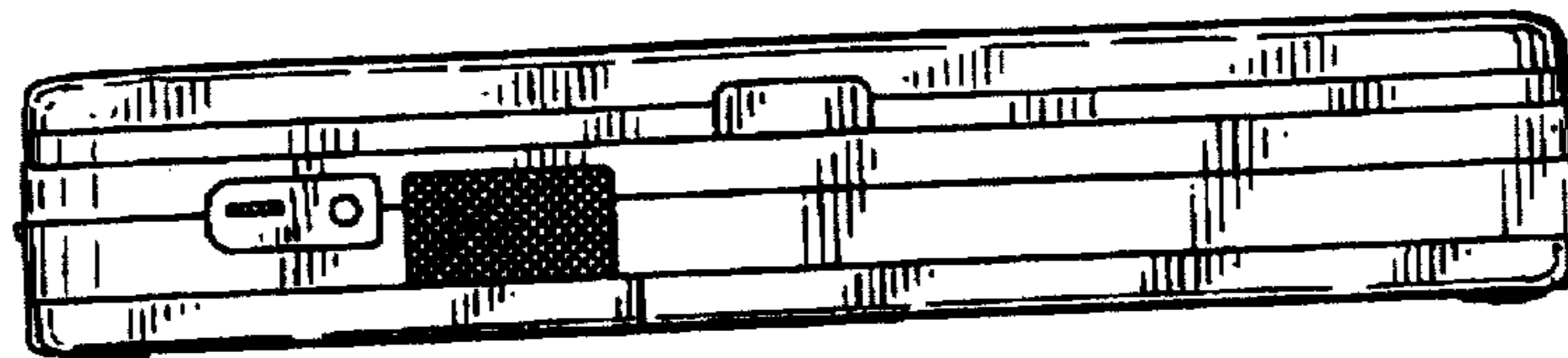


FIG. 9

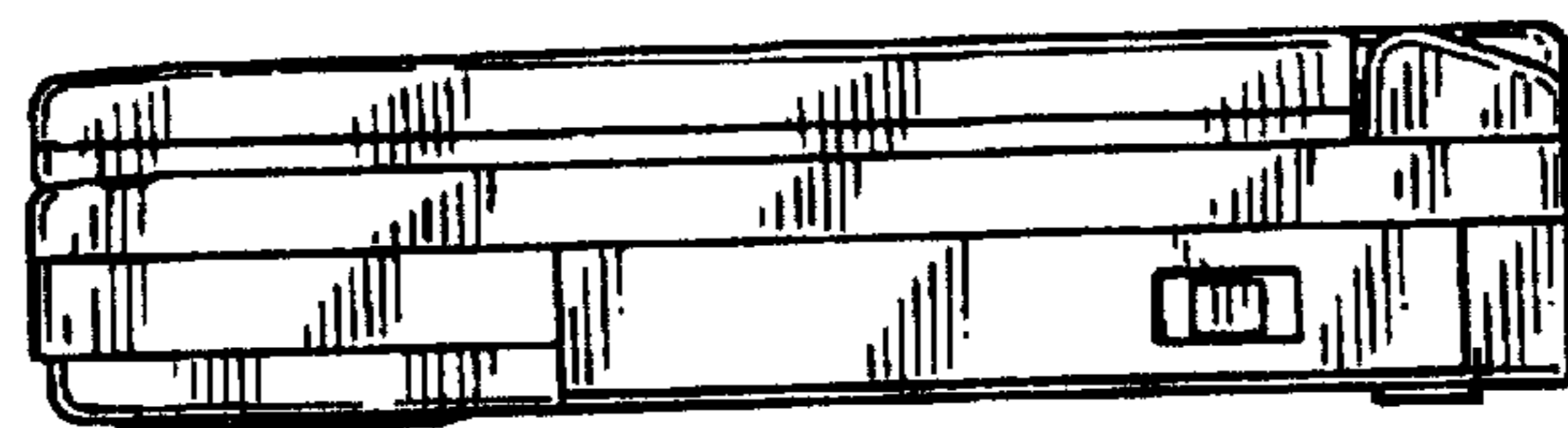


FIG. 10

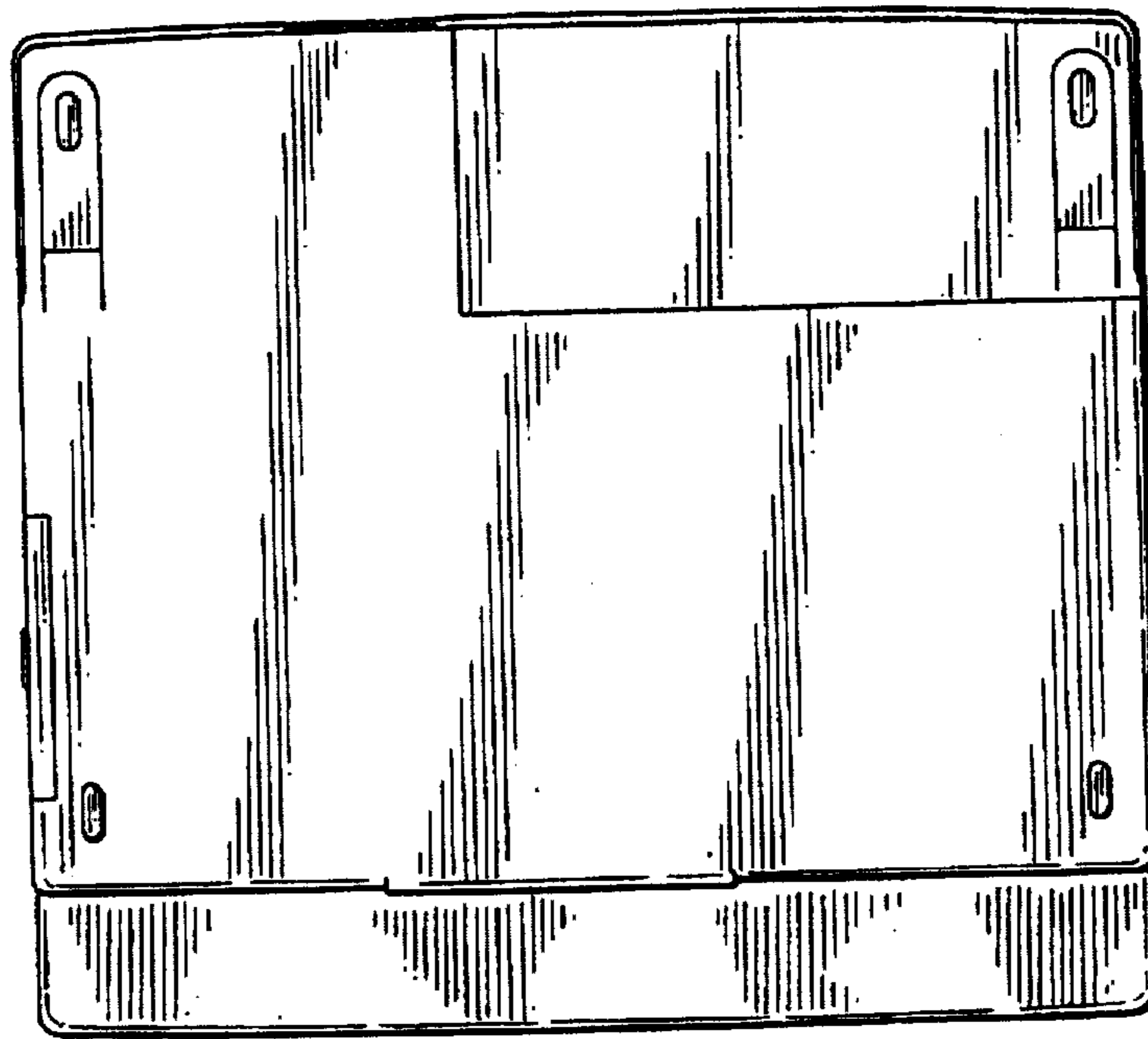


FIG. 11

