



US00D389122S

**United States Patent** [19]  
**Foye**

[11] **Patent Number:** **Des. 389,122**  
[45] **Date of Patent:** **\*\*Jan. 13, 1998**

- [54] **IN-WALL VIDEO MODULATOR**
- [75] **Inventor:** **Richard T. Foye**, Fullerton, Calif.
- [73] **Assignee:** **Multiplex Technology, Inc.**, Brea, Calif.
- [\*\*] **Term:** **14 Years**
- [21] **Appl. No.:** **52,477**
- [22] **Filed:** **Apr. 1, 1996**
- [51] **LOC (6) Cl.** ..... **13-03**
- [52] **U.S. Cl.** ..... **D13/147**
- [58] **Field of Search** ..... **D13/133, 146, D13/147, 151; D14/256; 385/53-56, 75-78, 135-137, 139; 439/535, 536, 538, 540.1, 578, 580, 668**

5,179,618 1/1993 Anton ..... 385/136  
 5,233,501 8/1993 Allen et al. .... 436/668 X

*Primary Examiner*—Alan P. Douglas  
*Assistant Examiner*—Lavone D. Tabor  
*Attorney, Agent, or Firm*—Lynn & Lynn

[57] **CLAIM**

The ornamental design for an in-wall video modulator, as shown and described.

**DESCRIPTION**

FIG. 1 is a perspective view of my new design taken from the upper left front thereof;  
 FIG. 2 is a front elevation view showing my new design;  
 FIG. 3 is a left side elevation view thereof;  
 FIG. 4 is a top plan view thereof;  
 FIG. 5 is a bottom plan view thereof; and,  
 FIG. 6 is a right side elevation view thereof.

The rear view is unornamented and is not a part of my new design.

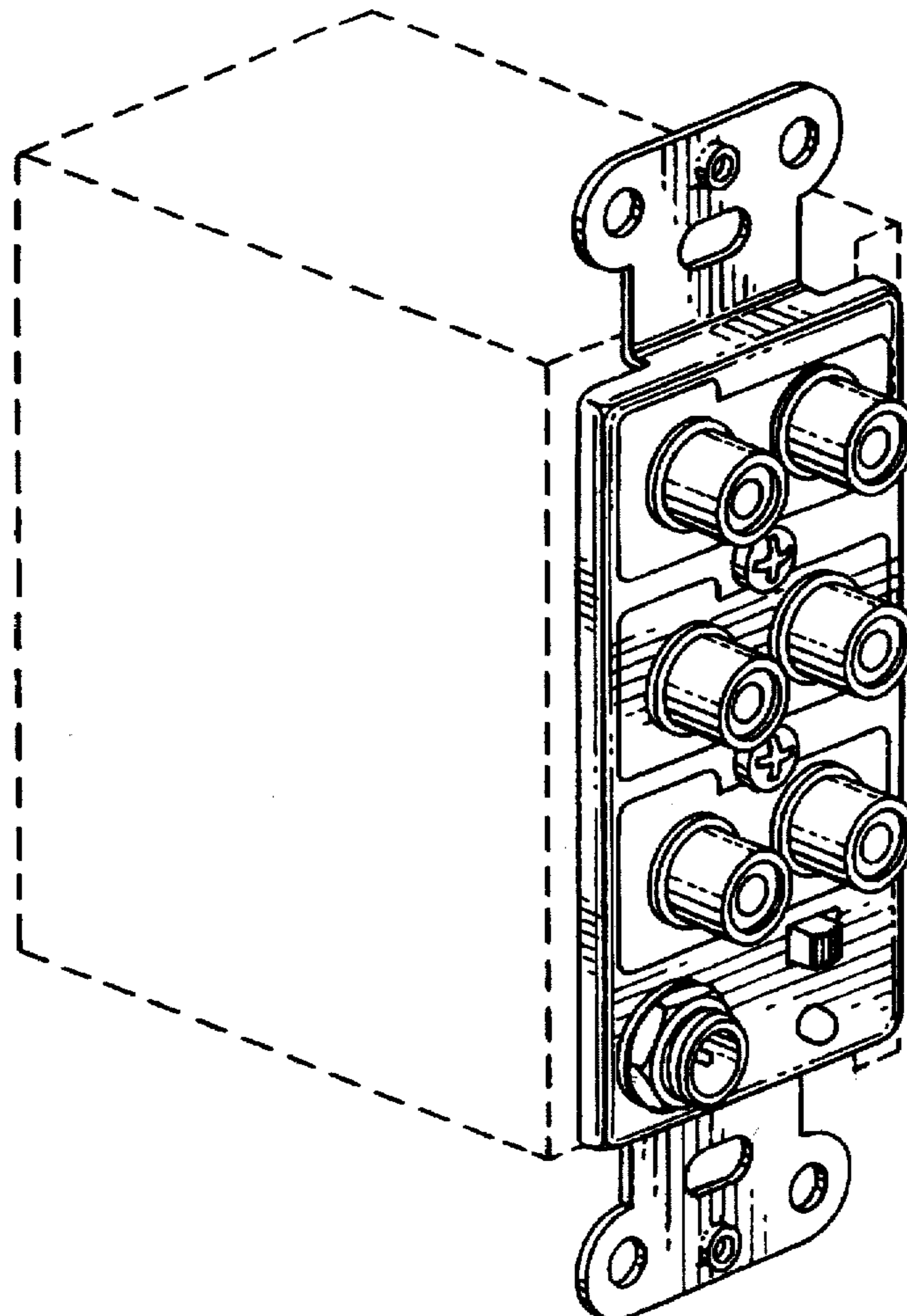
The broken lines are for illustrative purposes only and form no part of the claimed design.

[56] **References Cited**

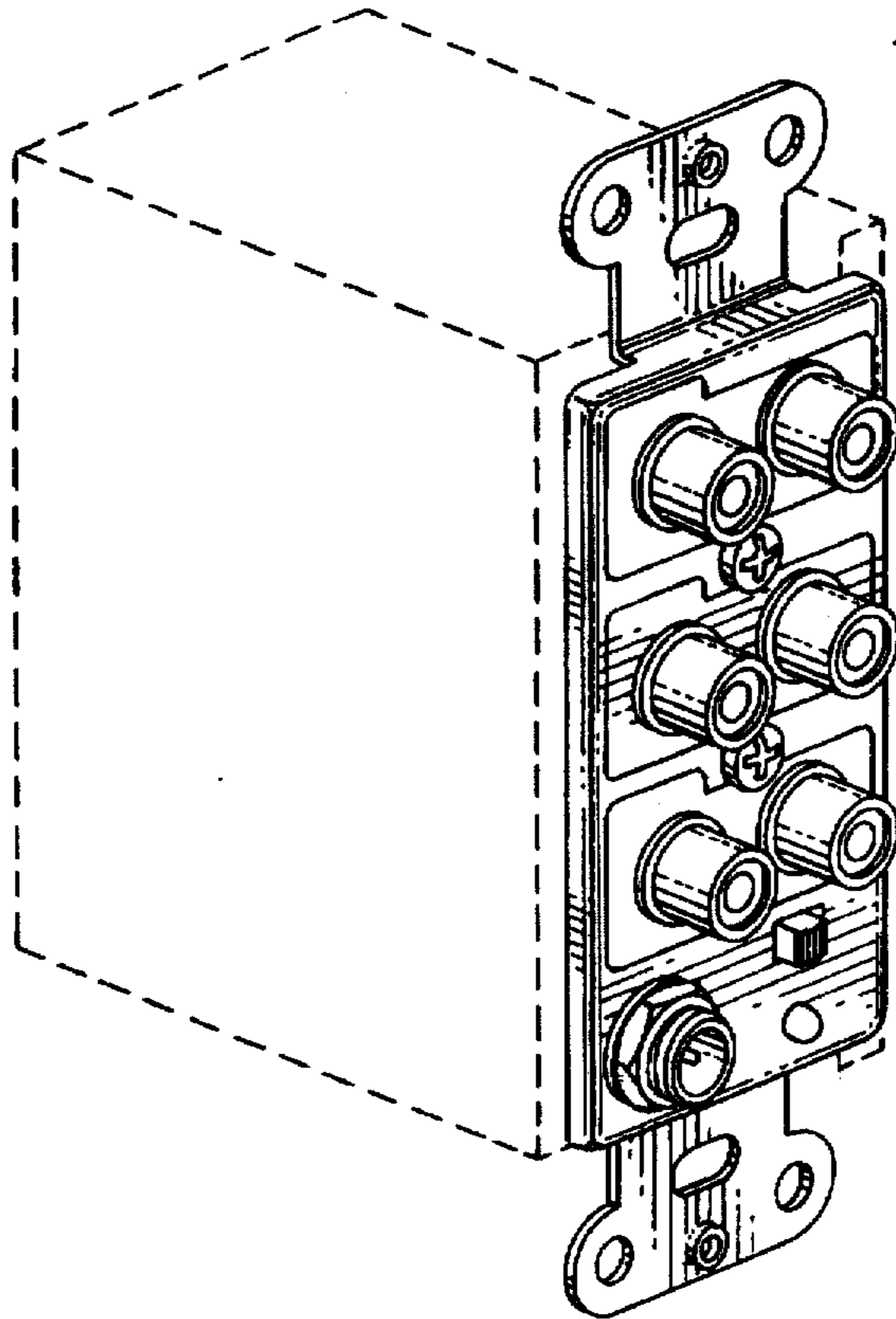
**U.S. PATENT DOCUMENTS**

- 4,887,979 12/1989 Jacobs ..... 439/578
- 4,976,510 12/1990 Davila et al. .... 385/135
- 5,007,860 4/1991 Robinson et al. .... 439/540.1

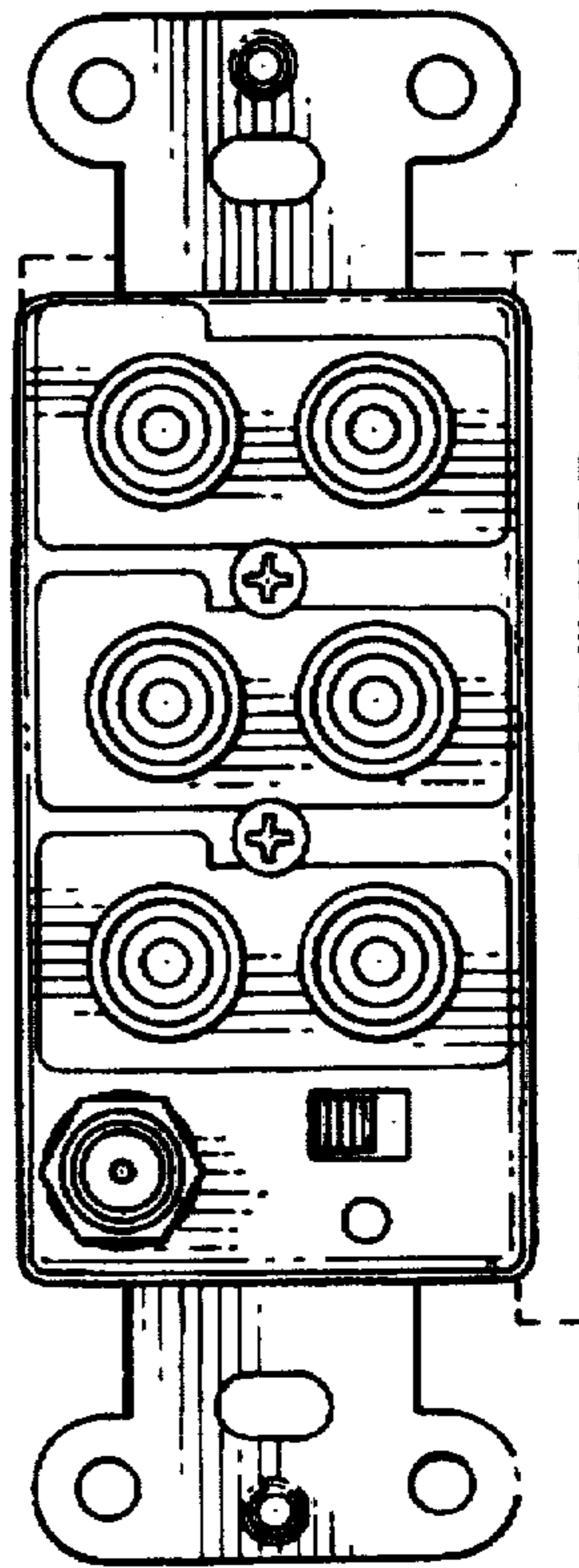
**1 Claim, 2 Drawing Sheets**



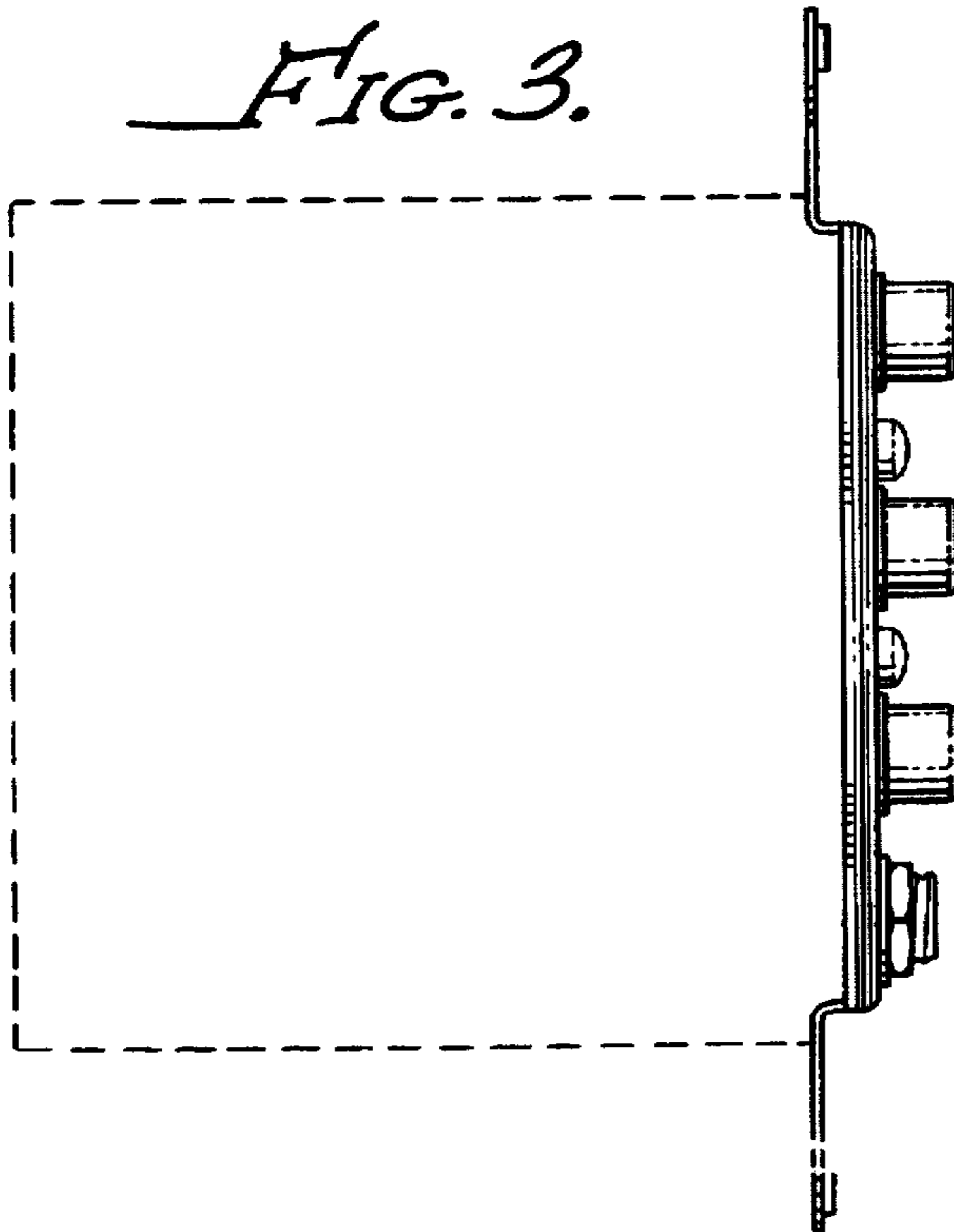
*FIG. 1.*



*FIG. 2.*



*FIG. 3.*



*FIG. 4.*



*FIG. 5.*



*FIG. 6.*

