



US00D389121S

# United States Patent [19]

Kuprewicz et al.

[11] Patent Number: **Des. 389,121**

[45] Date of Patent: **\*\*Jan. 13, 1998**

[54] **FIBER OPTIC CONNECTOR JACK**

5,287,425 2/1994 Chang .  
5,381,498 1/1995 Bylander .

[75] Inventors: **Ralph J. Kuprewicz**, Norridge;  
**Randall D. Gritters**, Lansing; **Richard L. Akins**, Wheaton, all of Ill.

**FOREIGN PATENT DOCUMENTS**

[73] Assignee: **Panduit Corp.**, Tinley Park, Ill.

WO 9304513 3/1993 WIPO .

[\*\*] Term: **14 Years**

*Primary Examiner*—Alan P. Douglas  
*Assistant Examiner*—Lavone D. Tabor  
*Attorney, Agent, or Firm*—Mark D. Hilliard; Robert A. McCann

[21] Appl. No.: **52,920**

[57] **CLAIM**

[22] Filed: **Apr. 8, 1996**

The ornamental design for a fiber optic connector jack, as shown and described.

[51] LOC (6) Cl. .... **13-03**

[52] U.S. Cl. .... **D13/133**

[58] **Field of Search** ..... D13/133, 146,  
D13/147; D14/256; 385/53-56, 60, 75-78;  
439/607-610, 650, 660, 668, 669, 672,  
680, 682

**DESCRIPTION**

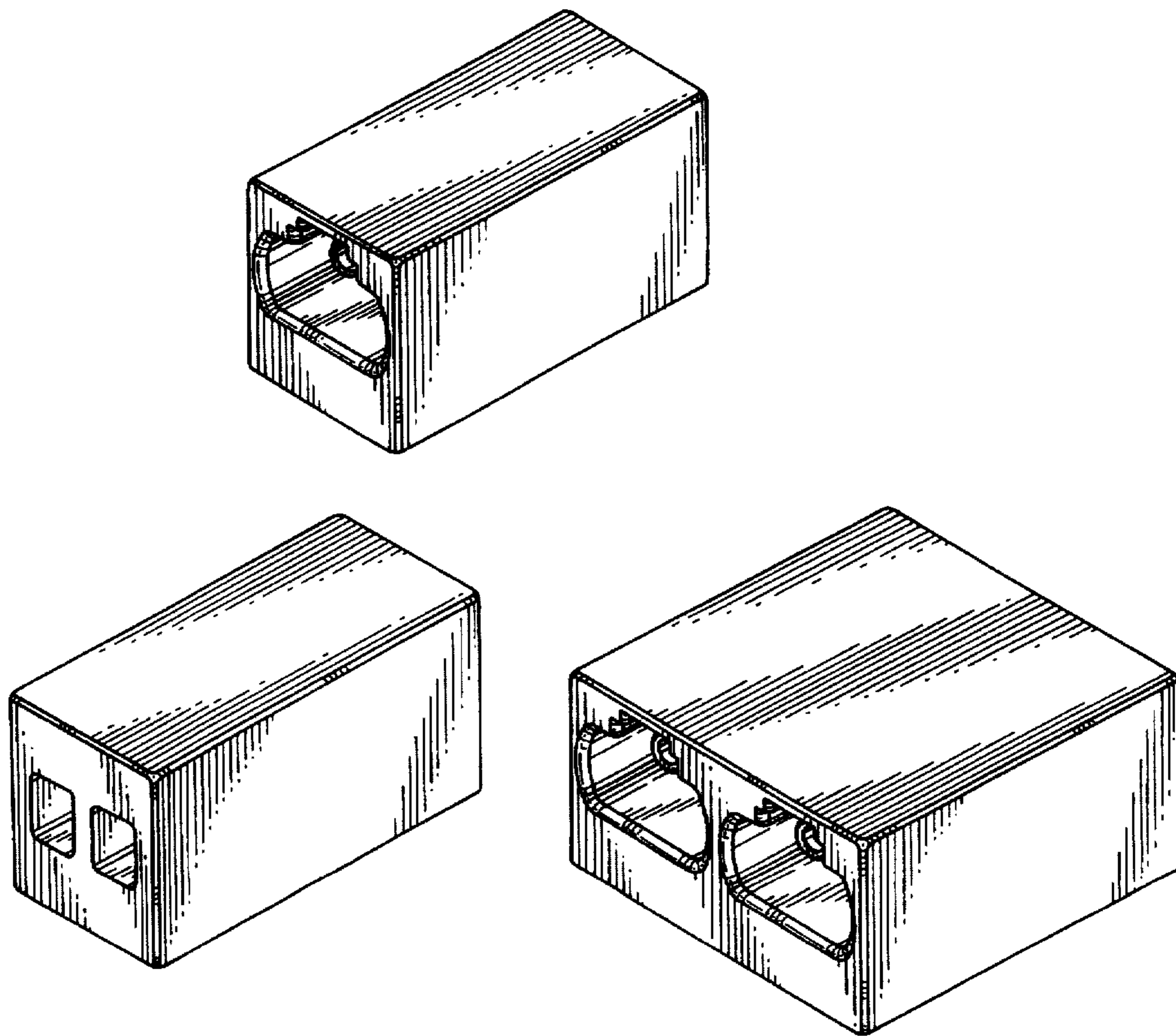
FIG. 1 is a front perspective view of a fiber optic connector jack showing our new design;  
FIG. 2 is a rear perspective view of a fiber optic connector jack showing our new design;  
FIG. 3 is a front elevational view thereof;  
FIG. 4 is a rear elevational view thereof;  
FIG. 5 is a front perspective view of a second embodiment showing our new design;  
FIG. 6 is a rear perspective view thereof;  
FIG. 7 is a front elevational view thereof; and,  
FIG. 8 is a rear elevational view thereof.  
The bottom of the connector jack is flat and plain.

[56] **References Cited**

**U.S. PATENT DOCUMENTS**

D. 293,313	12/1987	Justiano et al. ....	D13/133
4,291,943	9/1981	Binek et al. .	
4,762,388	8/1988	Tanaka et al. ....	385/60 X
4,875,881	10/1989	Caveney et al. .	
4,975,078	12/1990	Stroede et al. .	
4,979,793	12/1990	Bowen et al. .	
5,118,310	6/1992	Stroede et al. .	

**1 Claim, 4 Drawing Sheets**



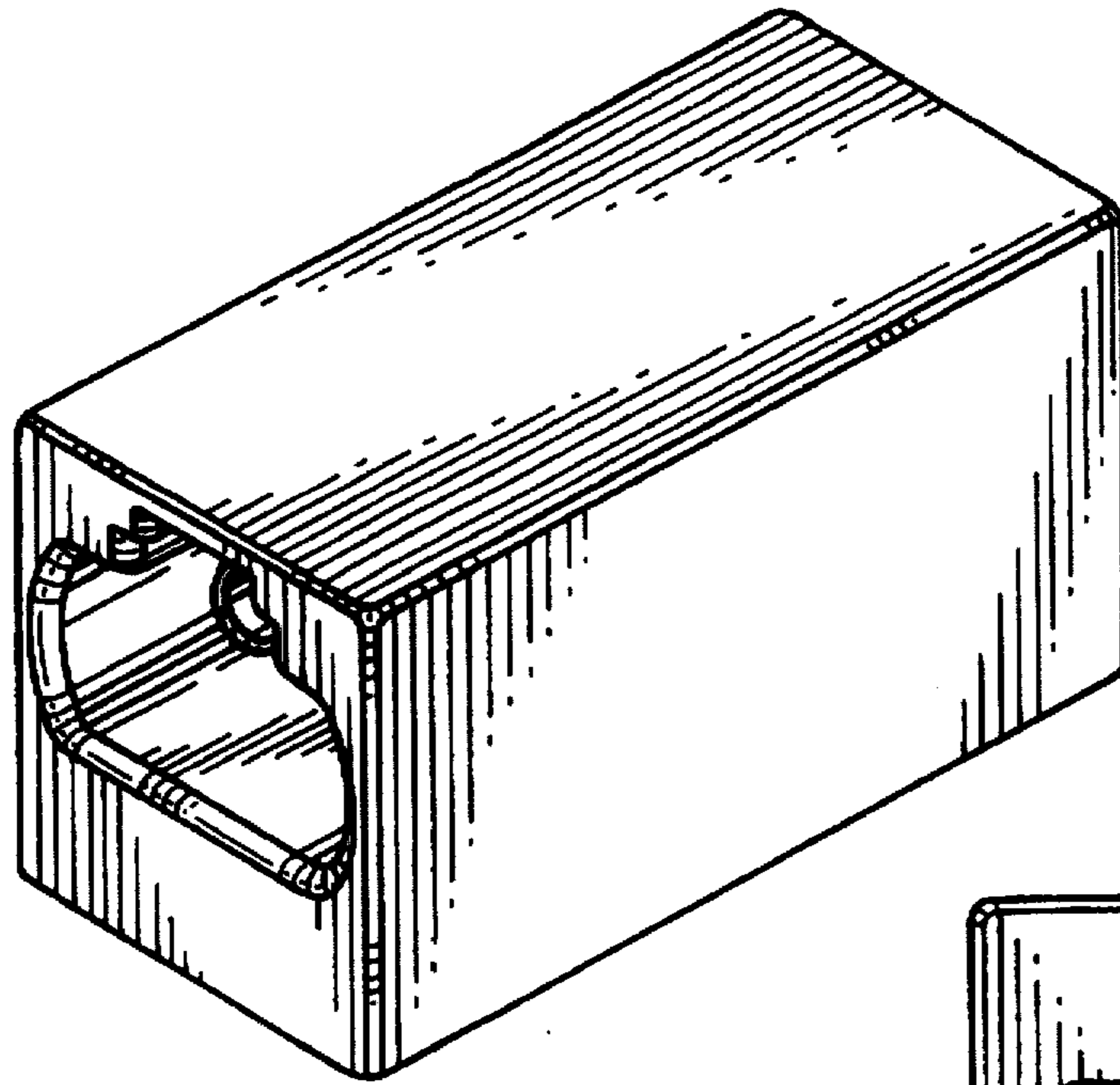


FIG. 1

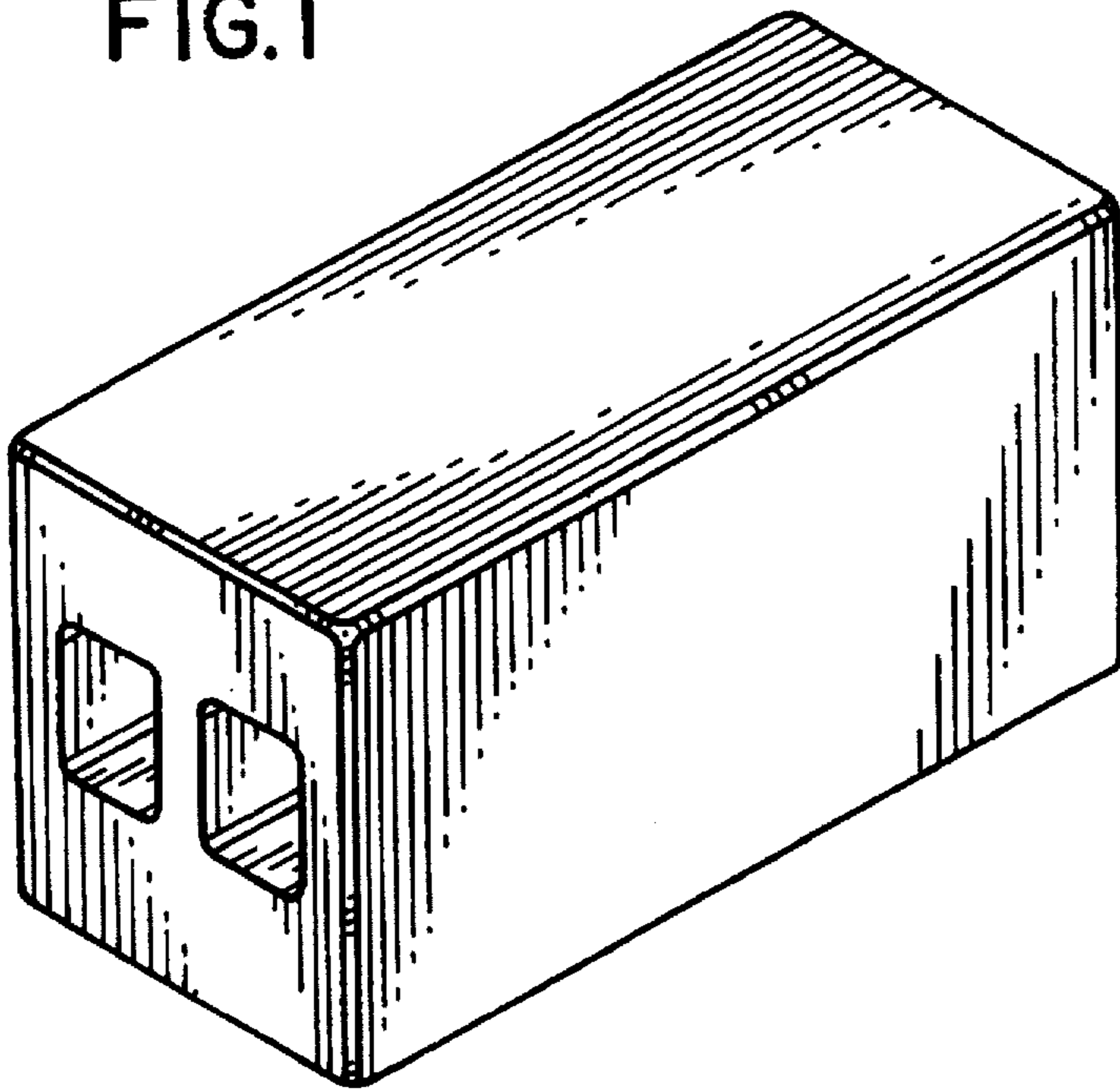


FIG. 2

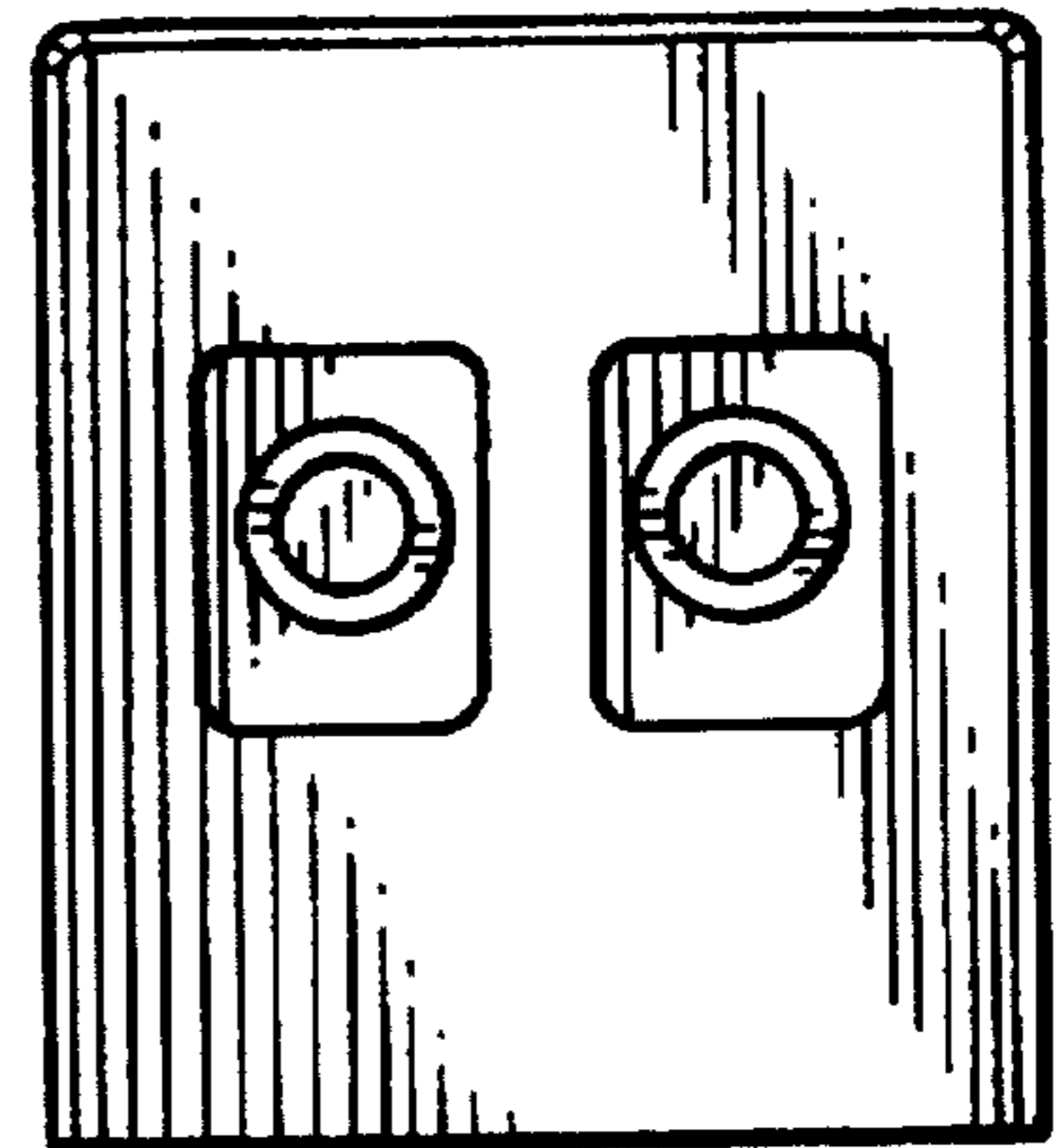


FIG. 4

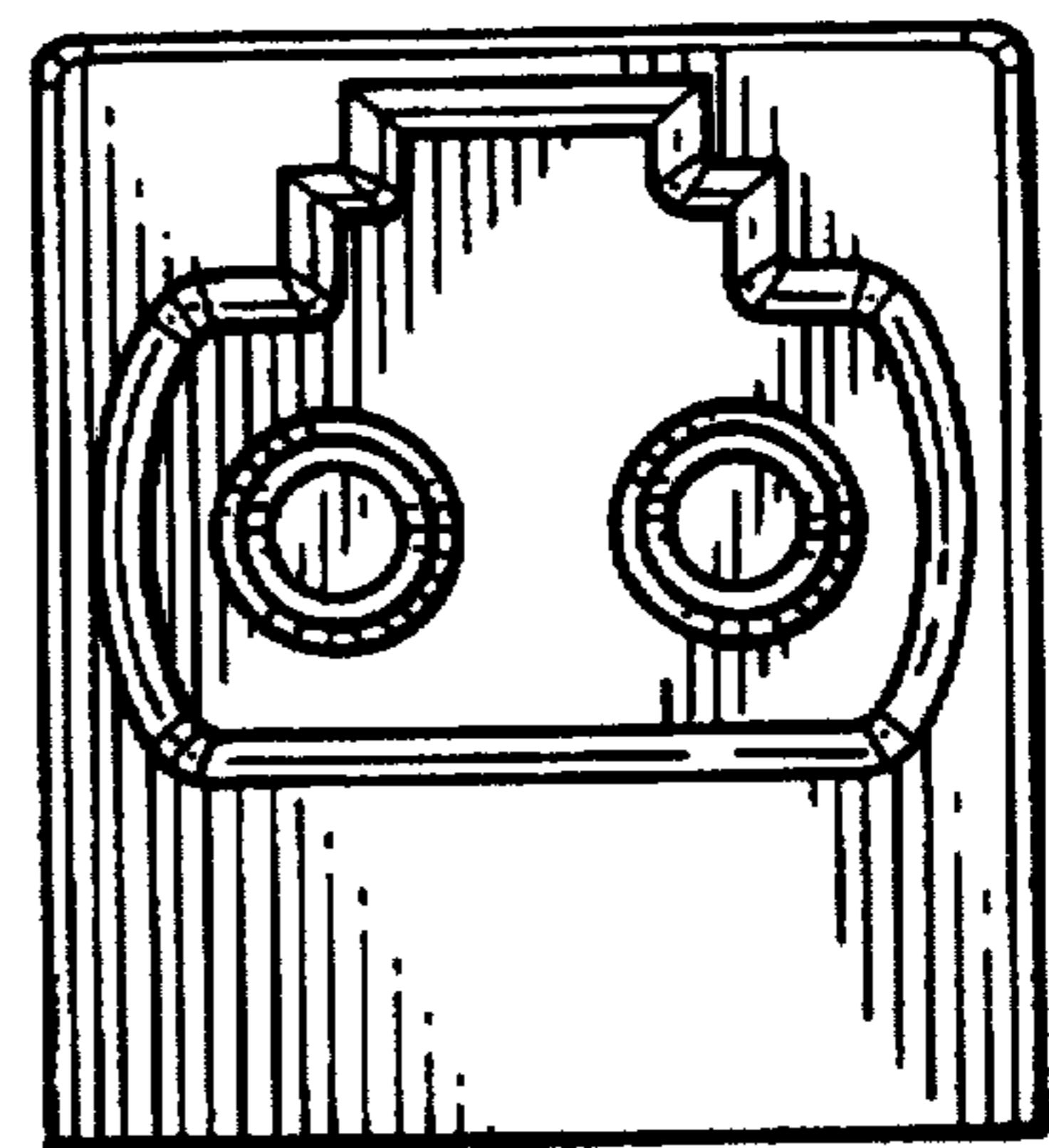


FIG. 3

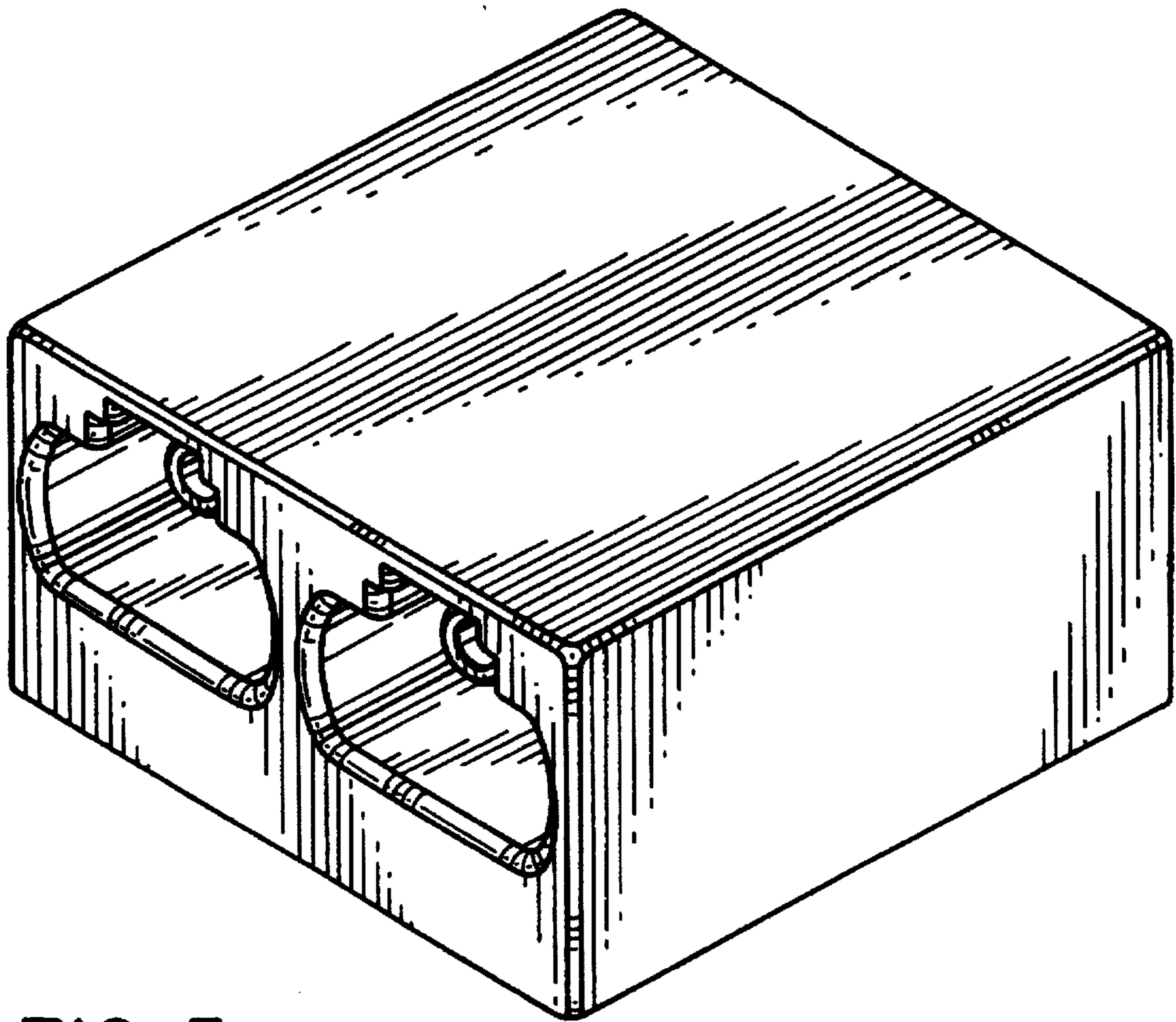


FIG. 5

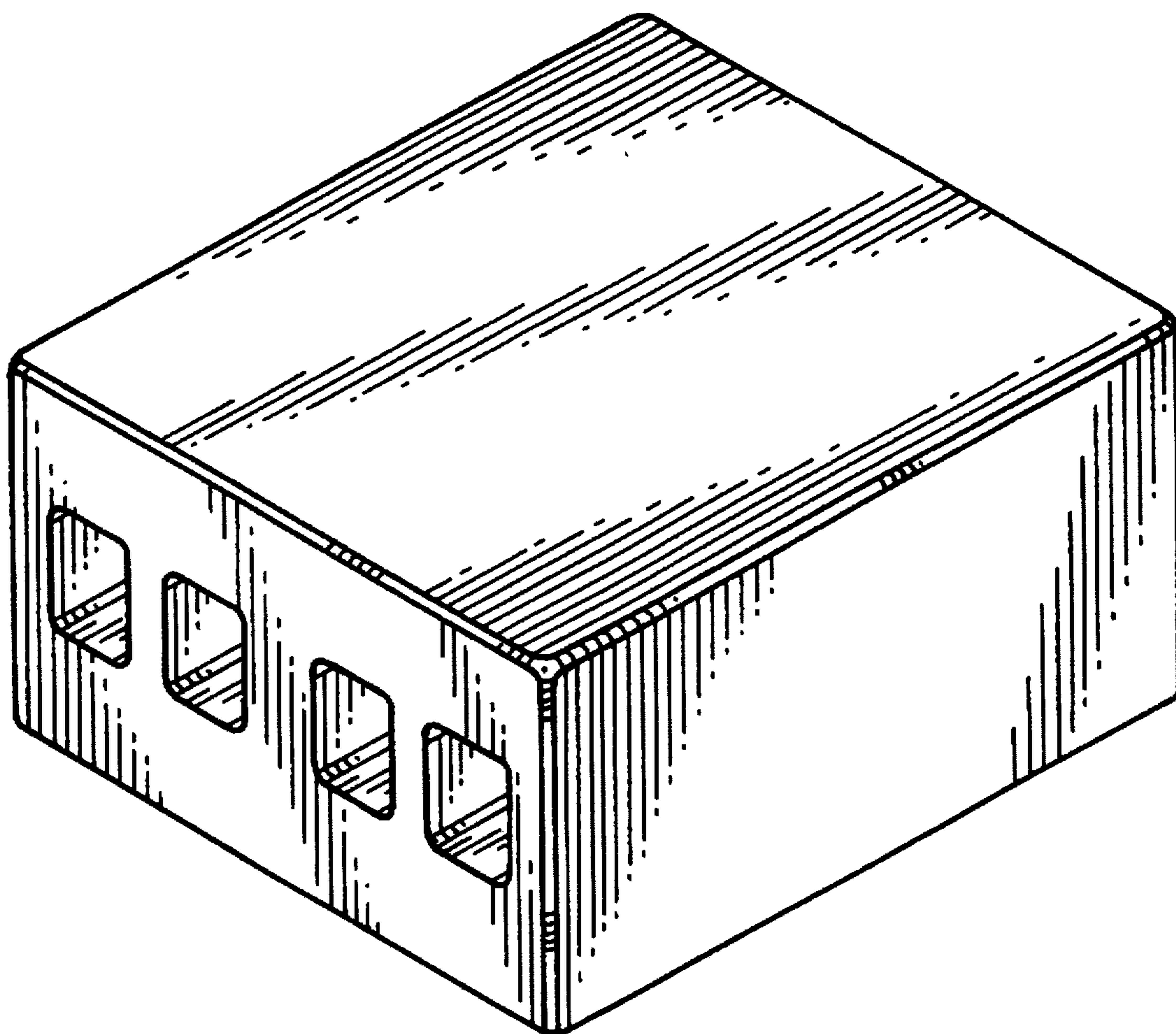


FIG. 6

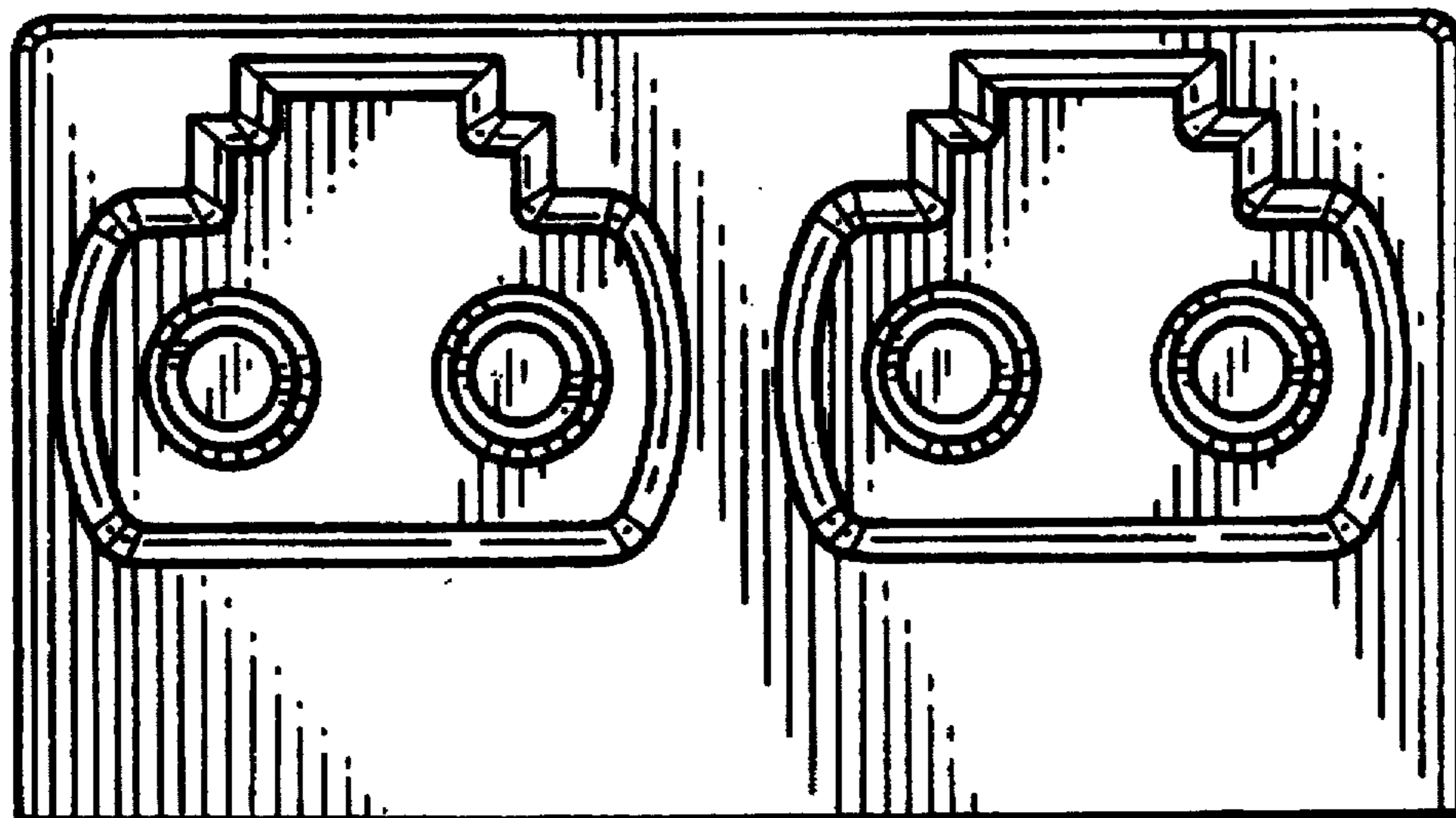


FIG. 7

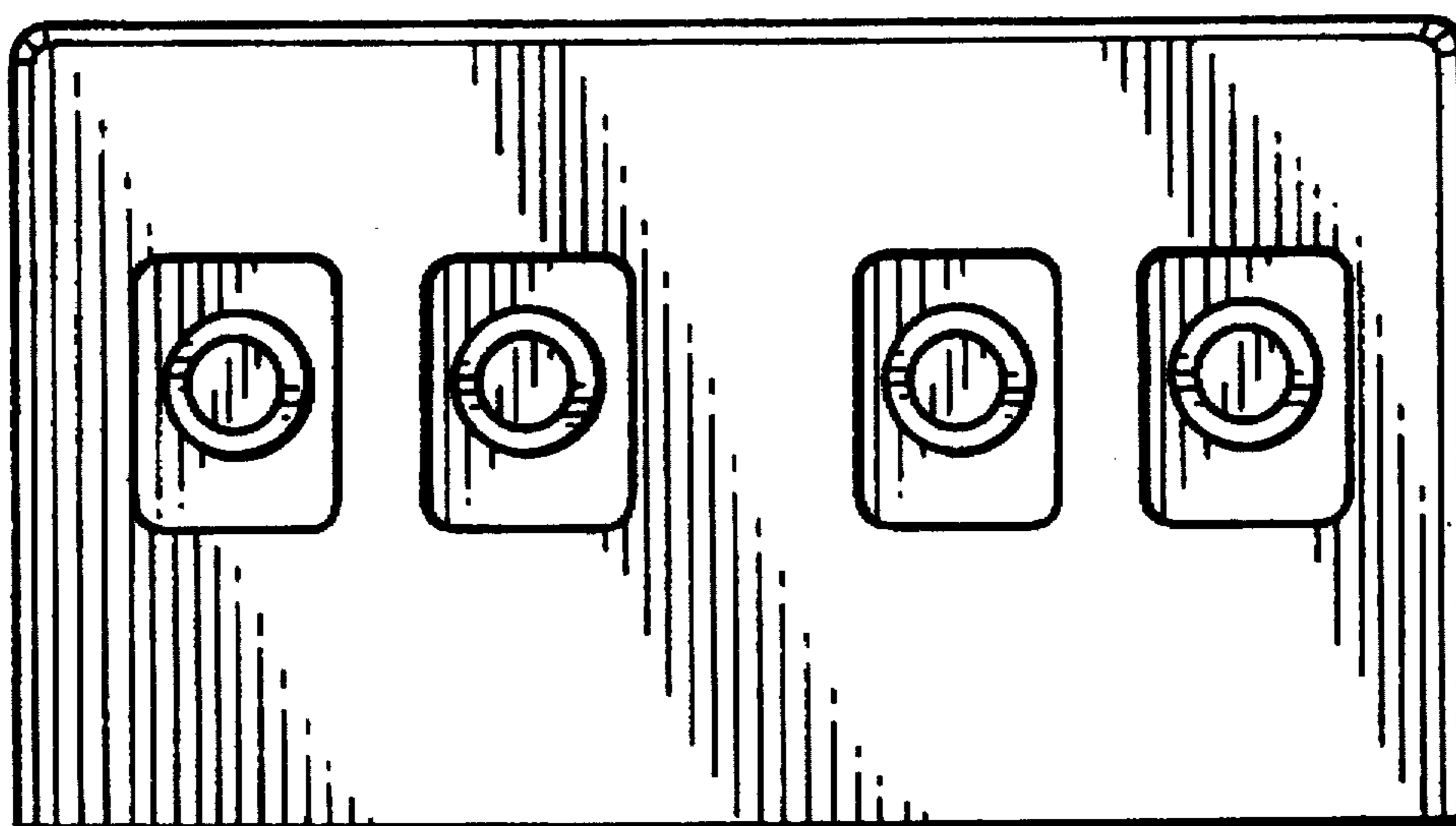


FIG. 8