

US00D389115S

United States Patent [19]

[11] Patent Number: **Des. 389,115**

Alves et al.

[45] Date of Patent: ****Jan. 13, 1998**

[54] **COMPACT DISC ORGANIZER FOR VEHICLE SEAT BACK**

[75] Inventors: **Kasidy W. Alves; Roger J. Alves**, both of Simi Valley; **Lewis C. Iby**, Westlake Village, all of Calif.

[73] Assignee: **Scosche Industries, Inc.**, Moorpark, Calif.

[**] Term: **14 Years**

[21] Appl. No.: **52,488**

[22] Filed: **Apr. 9, 1996**

[51] LOC (6) CL **12-16**

[52] U.S. Cl. **D12/416**

[58] Field of Search D6/407, 620-635; D12/415-423; 224/312, 275; 296/97.5, 37.15; D19/27; D3/226, 215, 224, 247, 248, 232, 249, 253; 297/188.04, 188.06, 188.07

4,273,277	6/1981	Stone .
4,781,379	11/1988	Parks .
4,781,409	11/1988	Harbison .
4,844,311	7/1989	Kalen .
4,907,634	3/1990	Yoo .
4,921,027	5/1990	Scheunemann .
5,147,036	9/1992	Jacobs .
5,259,657	11/1993	Arendt et al. .
5,330,085	7/1994	Horensky et al. .

FOREIGN PATENT DOCUMENTS

195588	6/1957	Austria .
62-180566	11/1987	Japan .
1148913	10/1989	Japan .
329494	3/1991	Japan .
4136915	12/1992	Japan .
568746	9/1993	Japan .
212958	12/1940	Switzerland .
1467493	8/1974	United Kingdom 224/275
2025210	1/1980	United Kingdom .

Primary Examiner—Louis S. Zarfaz
Assistant Examiner—Frank Martinez
Attorney, Agent, or Firm—William W. Haefliger

[56] **References Cited**

U.S. PATENT DOCUMENTS

D. 182,060	2/1958	Chase	D19/27
D. 189,713	2/1961	Brandt .	
D. 208,252	8/1967	Standard .	
D. 230,101	1/1974	Green .	
D. 308,916	7/1990	Dinham	D19/416
D. 310,301	9/1990	Burrow .	
D. 324,953	3/1992	Swanner	D12/416
D. 343,514	1/1994	Underwood, Jr. .	
D. 354,471	1/1995	Moseley .	
D. 355,759	2/1995	Koch	D3/226
D. 362,159	9/1995	Singh et al. .	
D. 369,777	5/1996	Singh et al. .	
D. 372,623	8/1996	Alves et al. .	
1,656,339	1/1928	Runyan	224/275
2,181,324	11/1939	Glover .	
2,468,817	5/1949	Duchin .	
2,486,096	10/1949	Axford et al. .	
2,655,299	10/1953	Pfeifer et al. .	
2,726,757	12/1955	Kellstrom .	
3,019,908	2/1962	Theurer .	
3,479,085	11/1969	Weinstein	297/188.06
3,858,790	1/1975	Humphrey .	

[57] **CLAIM**

The ornamental design for a compact disc organizer for vehicle seat back, as shown and described.

DESCRIPTION

FIG. 1 is a view showing the front design of the first embodiment of the compact disc organizer for vehicle seat back;

FIG. 2 is a top view of the FIG. 1 organizer;

FIG. 3 is a bottom view of the FIG. 1 organizer;

FIG. 4 is a right side view of the FIG. 1 organizer, the left side being a mirror image;

FIG. 5 is a rear view of the FIG. 1 organizer;

FIG. 6 is a perspective view showing the compact disc organizer for vehicle seat back in use; and,

FIG. 7 is a perspective view showing the organizer in folded condition.

The broken line showing of the straps in FIG. 1 and the vehicle seat, CDs and pen in FIG. 6 is for illustrative purposes only and forms on part of the claimed design.

1 Claim, 4 Drawing Sheets

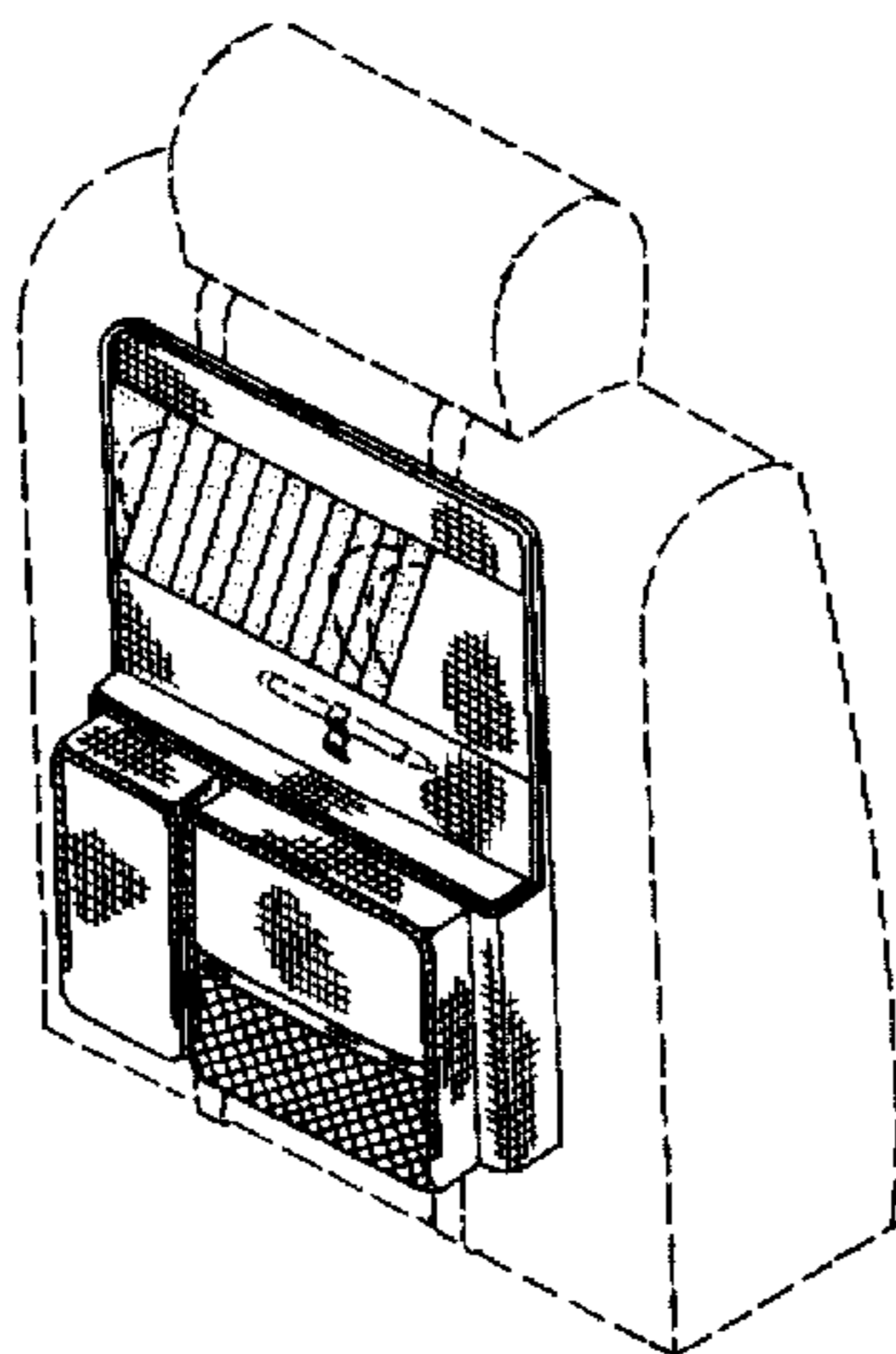


FIG. 1.

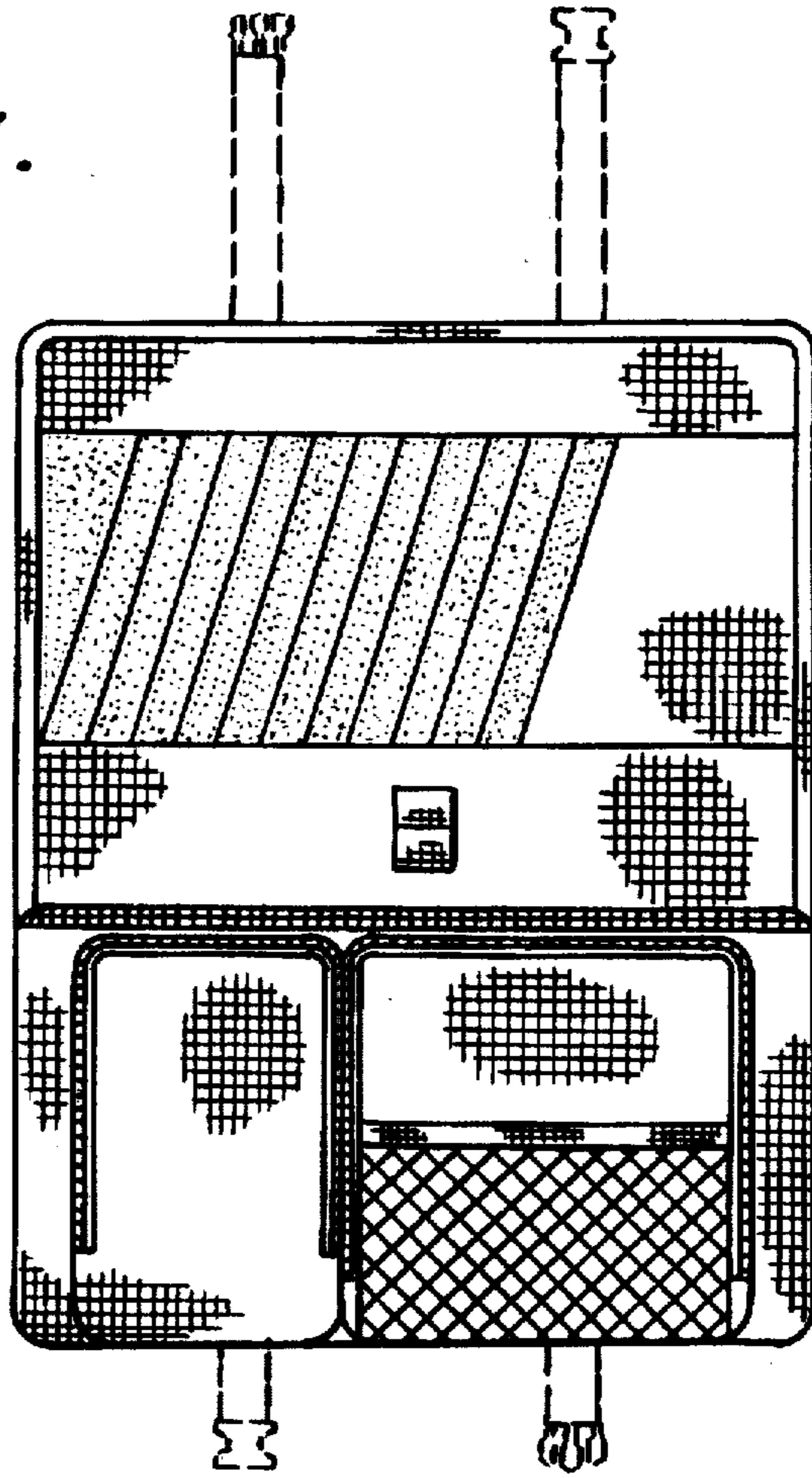


FIG. 2.

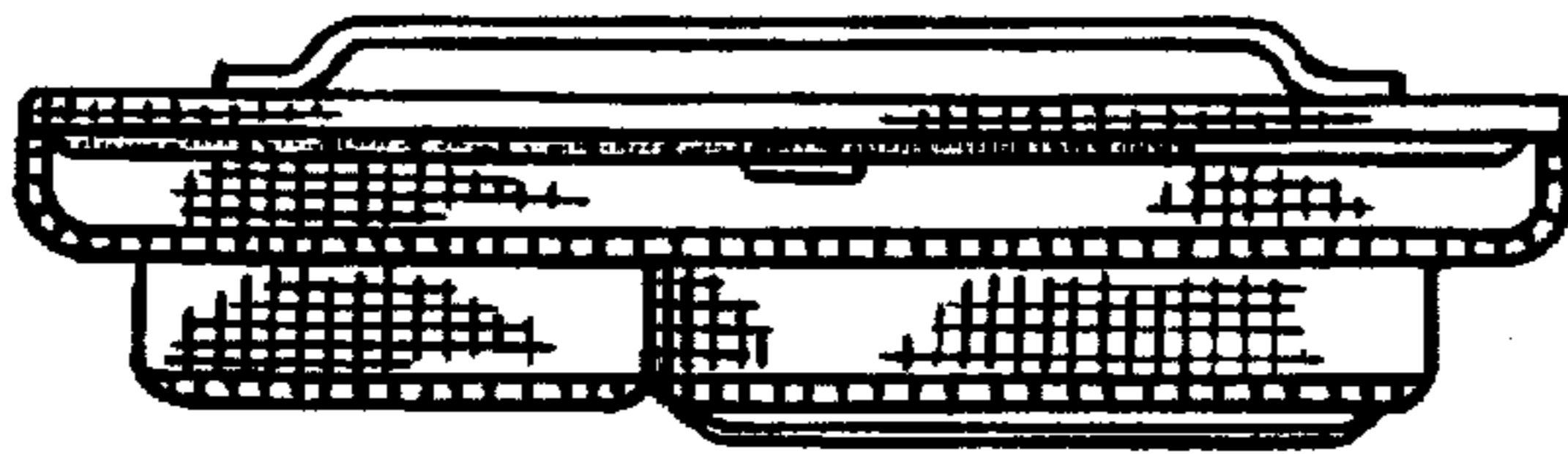


FIG. 3.

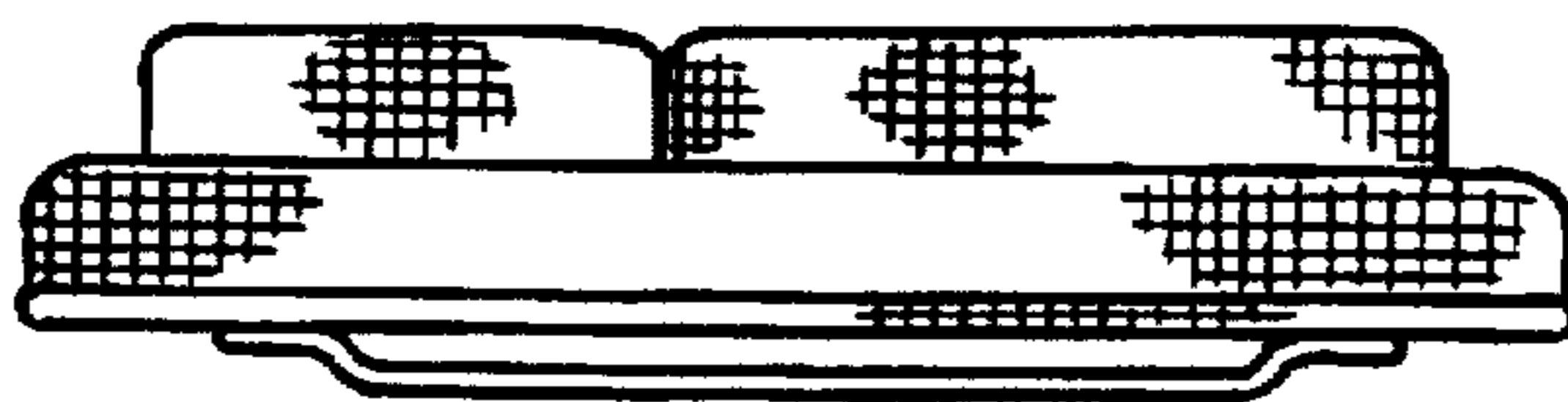


FIG. 4.

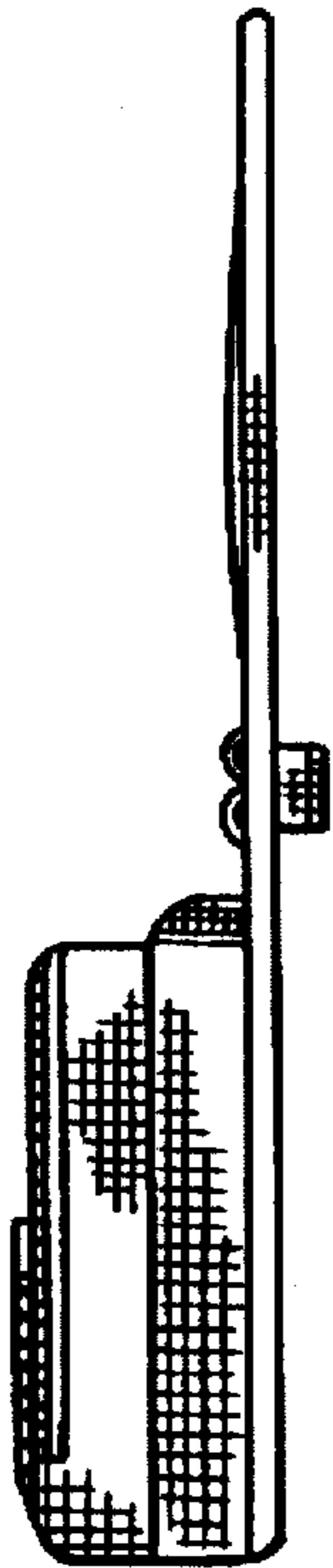


FIG. 5.

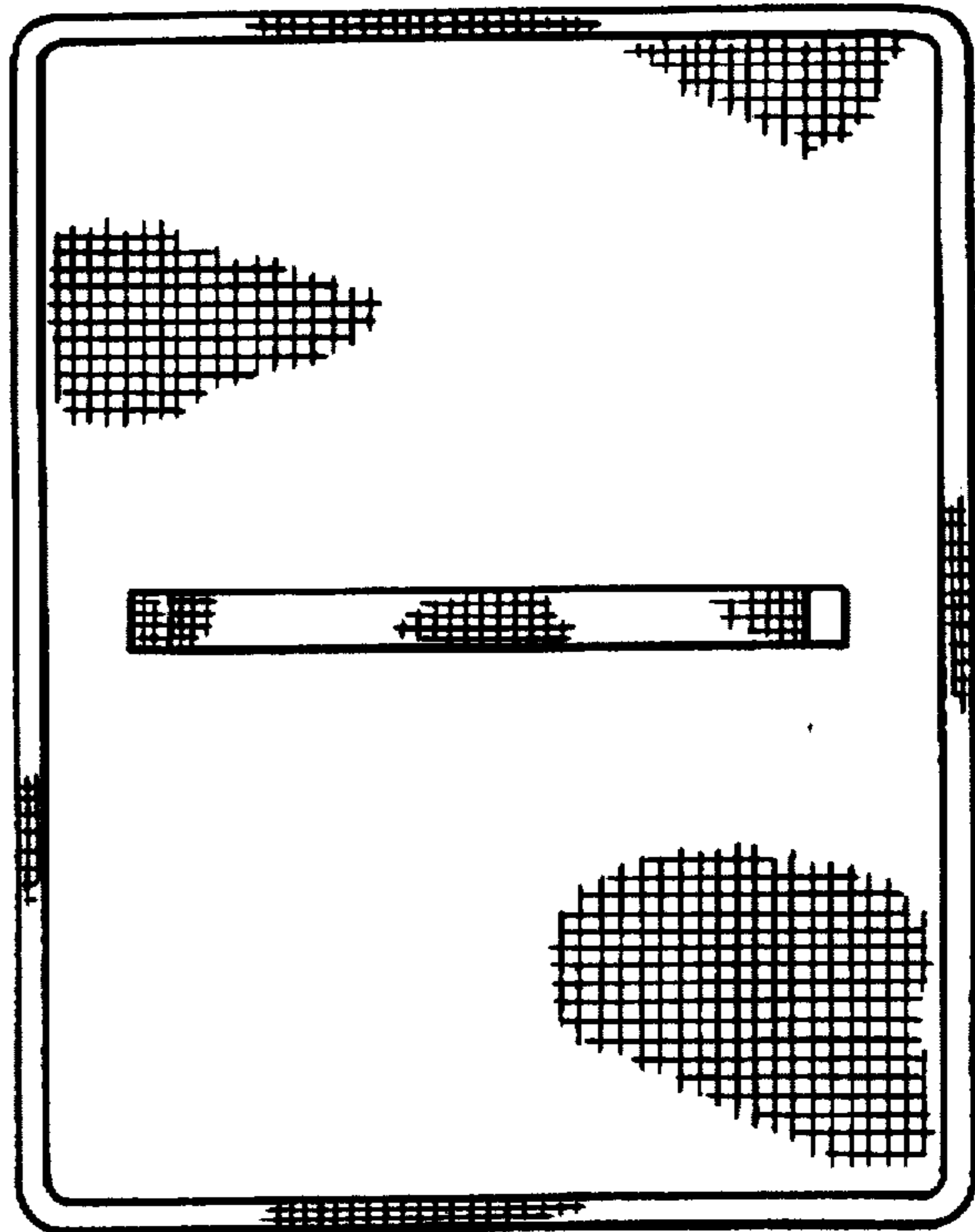


FIG. 6.

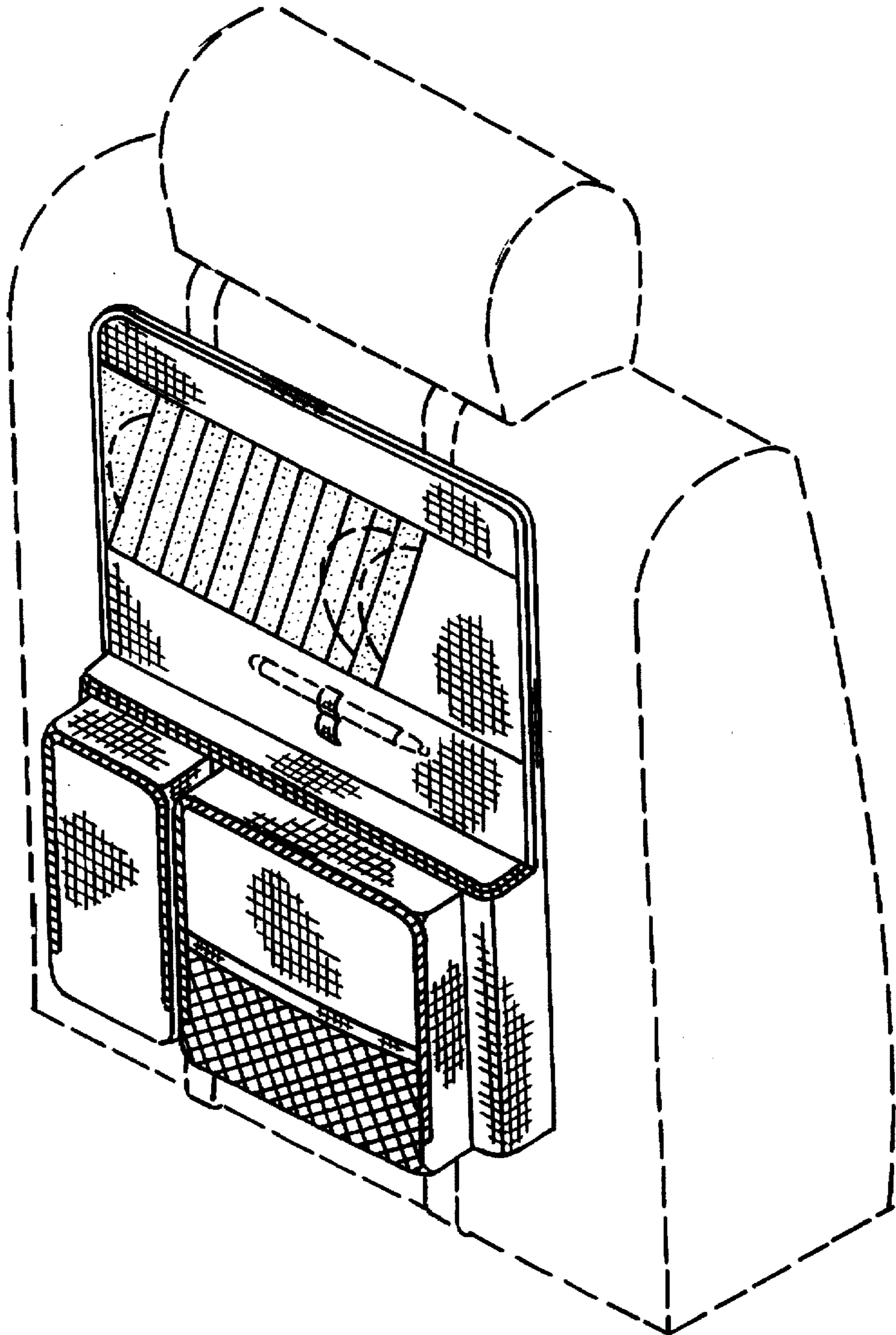


FIG. 7.

