



US00D389109S

**United States Patent** [19]  
**Stollery**

[11] **Patent Number: Des. 389,109**

[45] **Date of Patent: \*\*Jan. 13, 1998**

[54] **VEHICLE HOOD UNIT**

[75] **Inventor: David J. Stollery, Laguna Beach, Calif.**

[73] **Assignee: Industrial Design Research, Inc., Laguna Beach, Calif.**

[\*\*] **Term: 14 Years**

[21] **Appl. No.: 45,458**

[22] **Filed: Oct. 20, 1995**

[51] **LOC (6) Cl. .... 12-16**

[52] **U.S. Cl. .... D12/173**

[58] **Field of Search ..... D12/173, 99, 100, D12/196; 280/185; 296/194, 183; 180/69.2**

[56] **References Cited**

**U.S. PATENT DOCUMENTS**

D. 315,327	3/1991	Tisten et al. ....	D12/173
D. 326,635	6/1992	Tisten .....	D12/173
D. 338,862	8/1993	Tisten et al. ....	D12/173
D. 343,818	2/1994	Debroal et al. ....	D12/173

**OTHER PUBLICATIONS**

JC Whitney & Co. Catalog No. 575C, 1995, p. 137, the Hood (0) for Jeep Vehicles.

*Primary Examiner*—Melody N. Brown  
*Attorney, Agent, or Firm*—Larry K. Roberts

[57] **CLAIM**

The ornamental design for a vehicle hood unit, as shown and described.

**DESCRIPTION**

FIG. 1 is a front elevation view of a vehicle hood unit showing my new design;

FIG. 2 is a rear elevation view thereof;

FIG. 3 is a top plan view thereof;

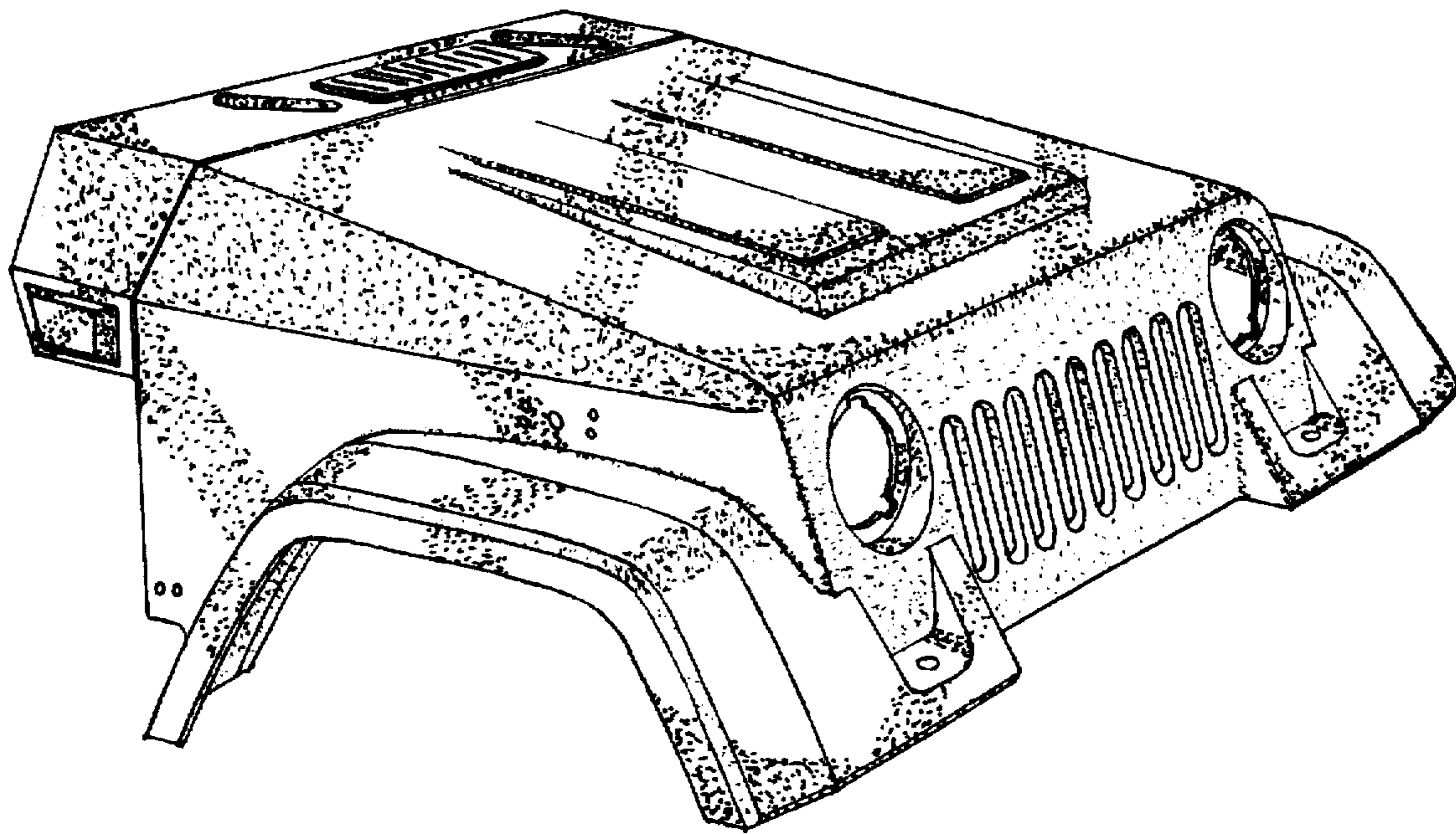
FIG. 4 is a left side elevation view thereof, the right side elevation view being a mirror image of the left side elevation view;

FIG. 5 is a bottom view thereof;

FIG. 6 is a right front three quarter perspective view thereof; and,

FIG. 7 is a left rear three quarter perspective view thereof.

**1 Claim, 7 Drawing Sheets**



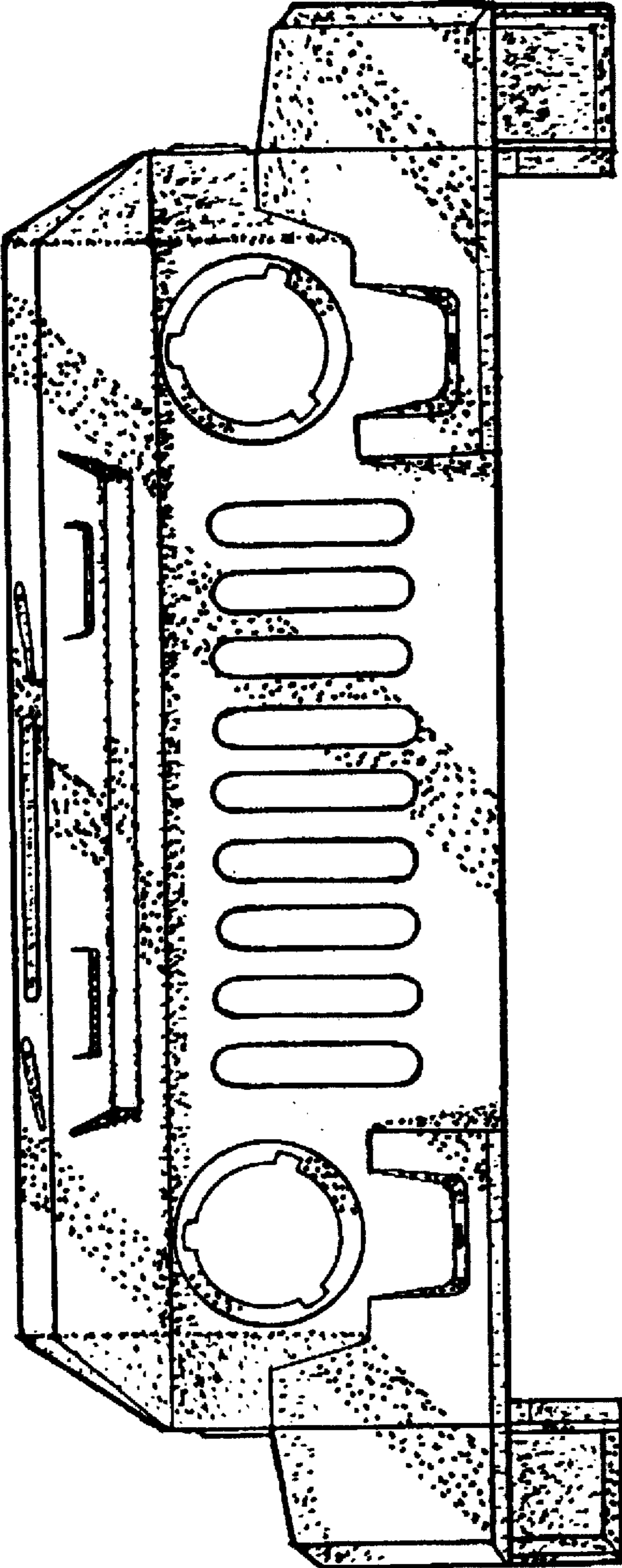


FIG. 1

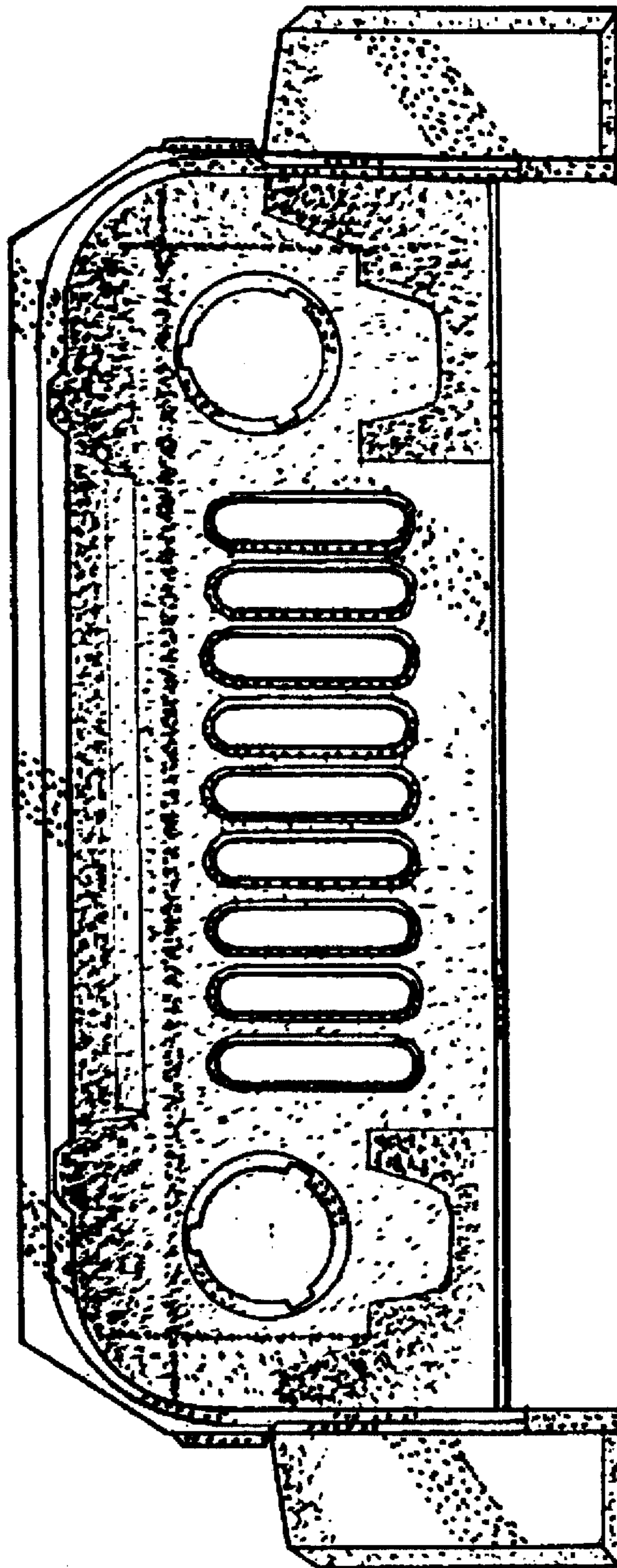


FIG. 2

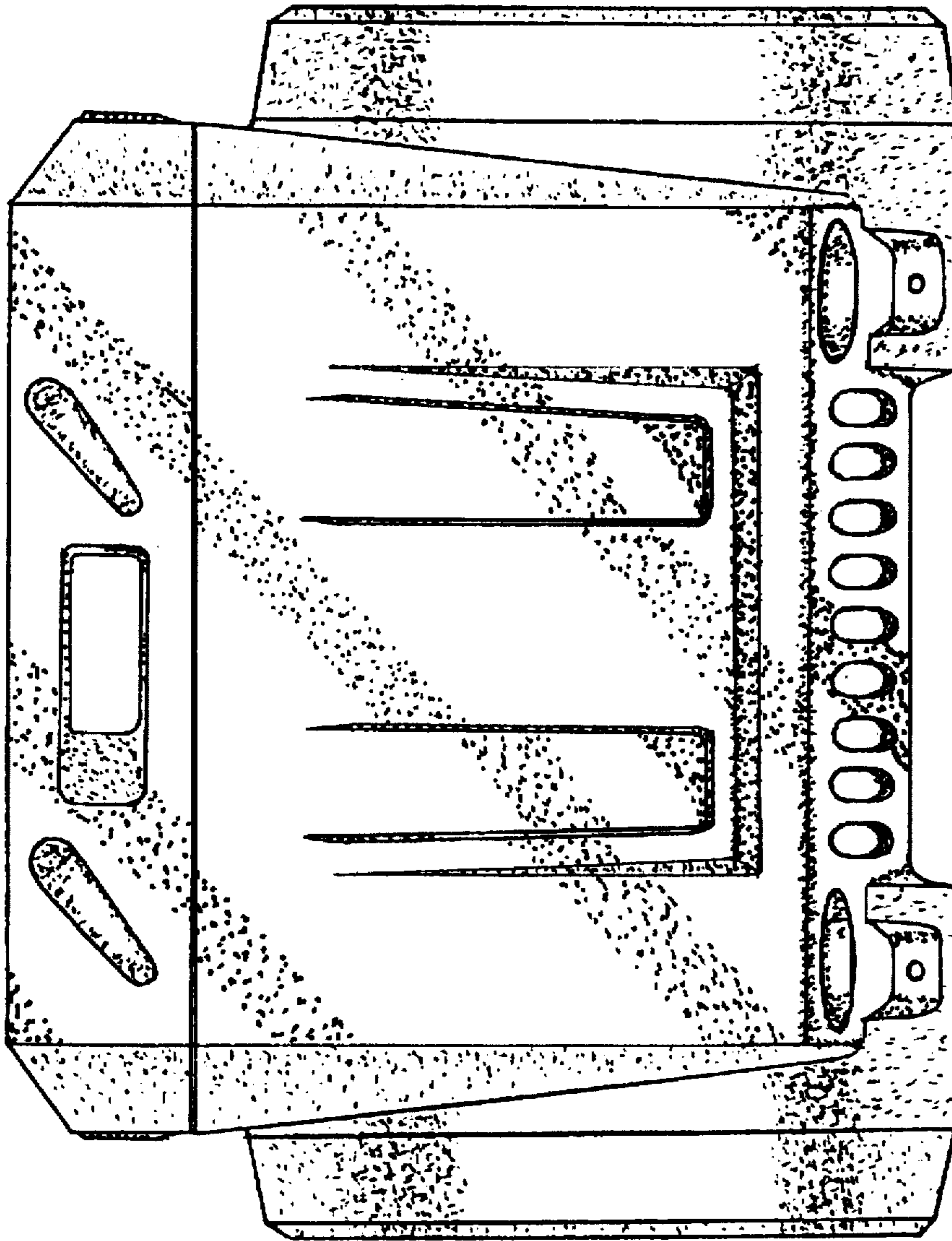


FIG. 3

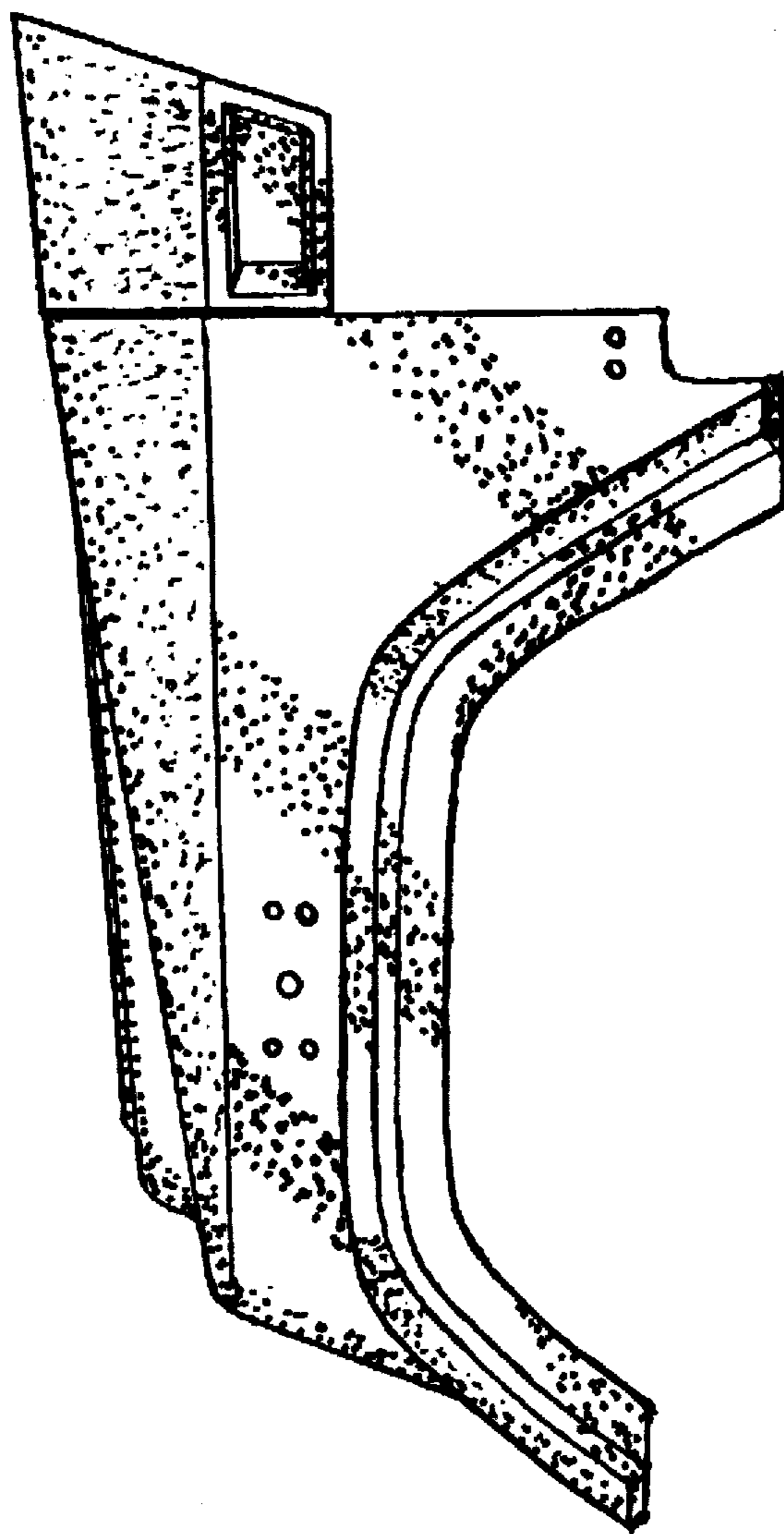


FIG. 4

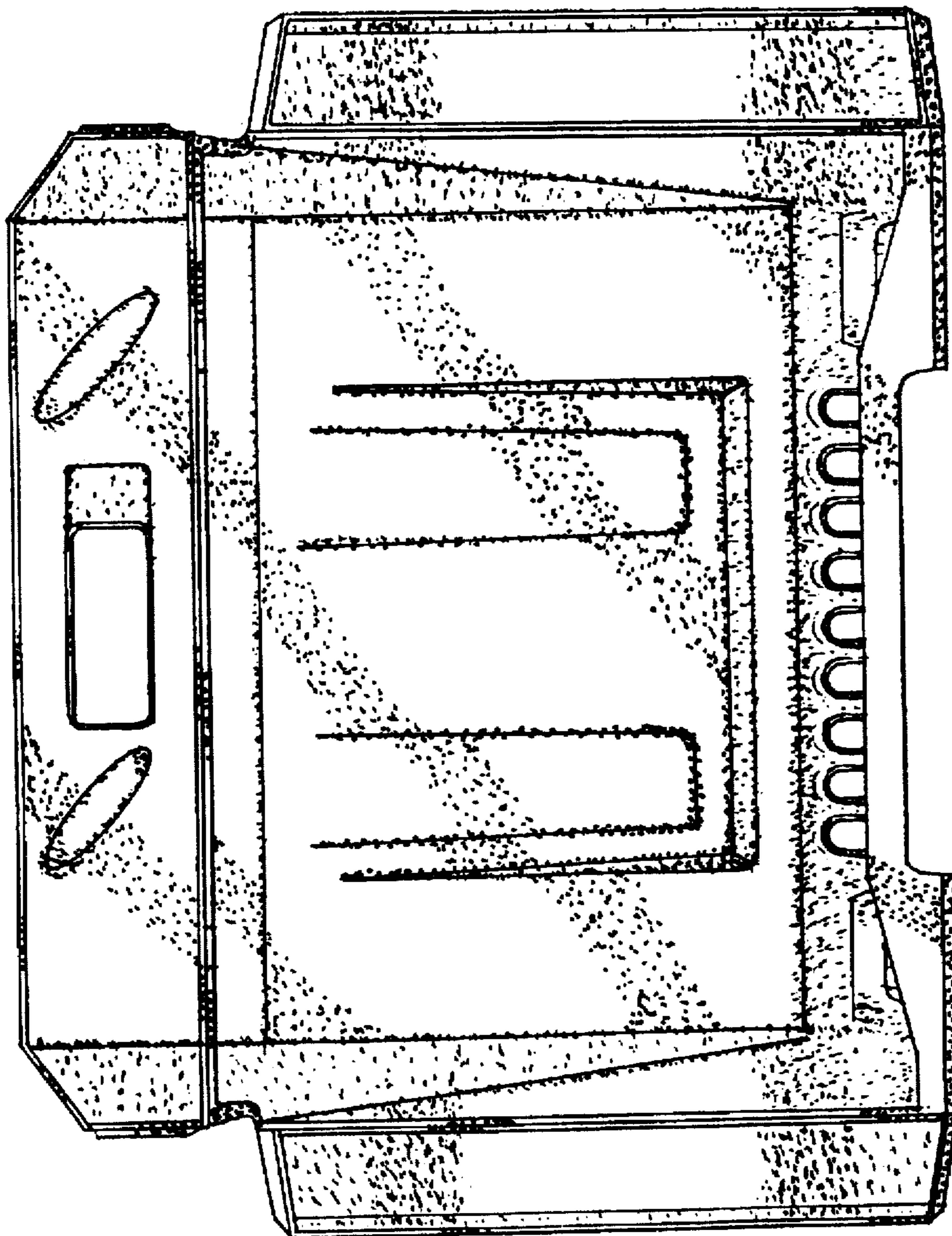


FIG. 5

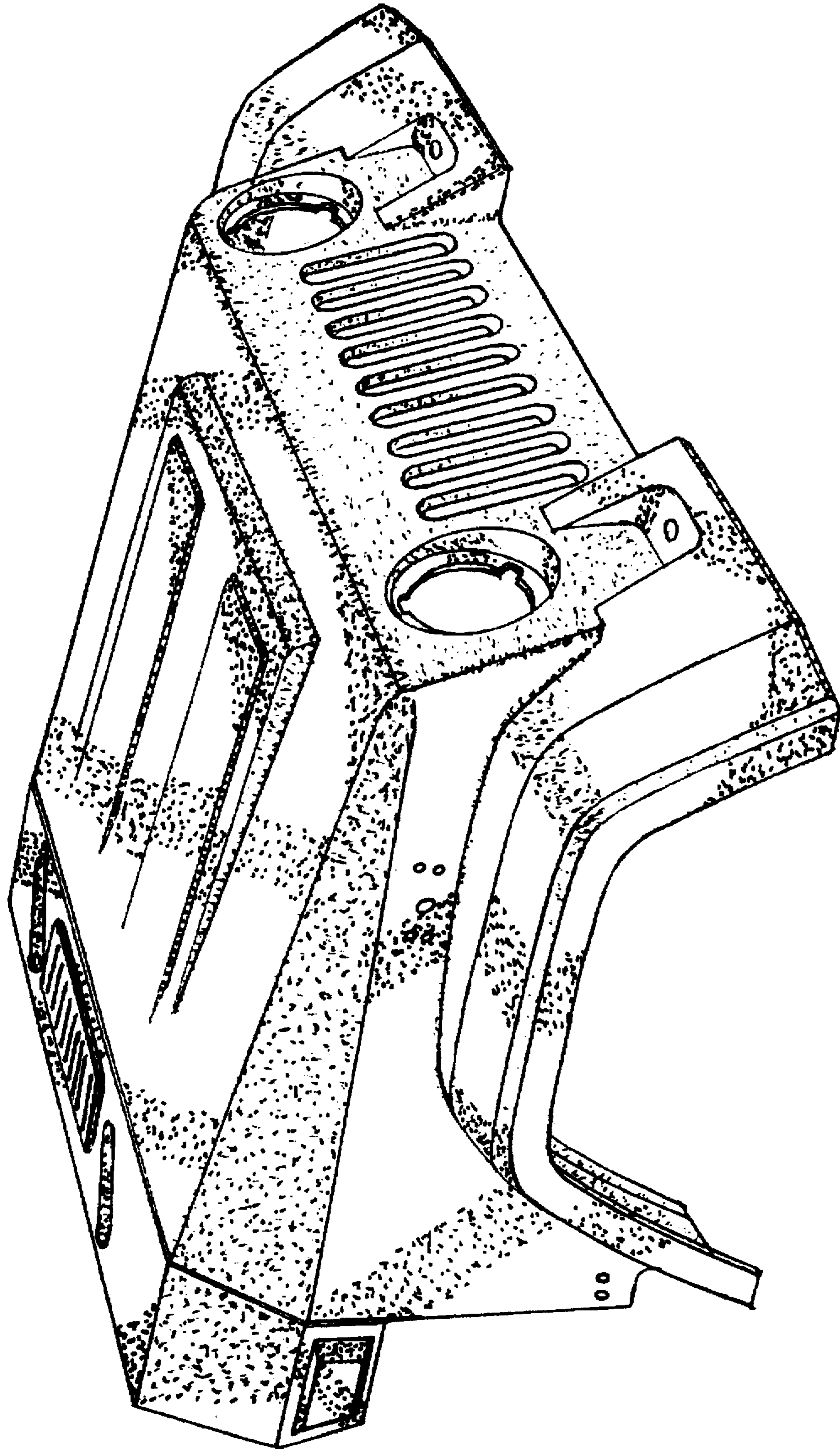


FIG. 6

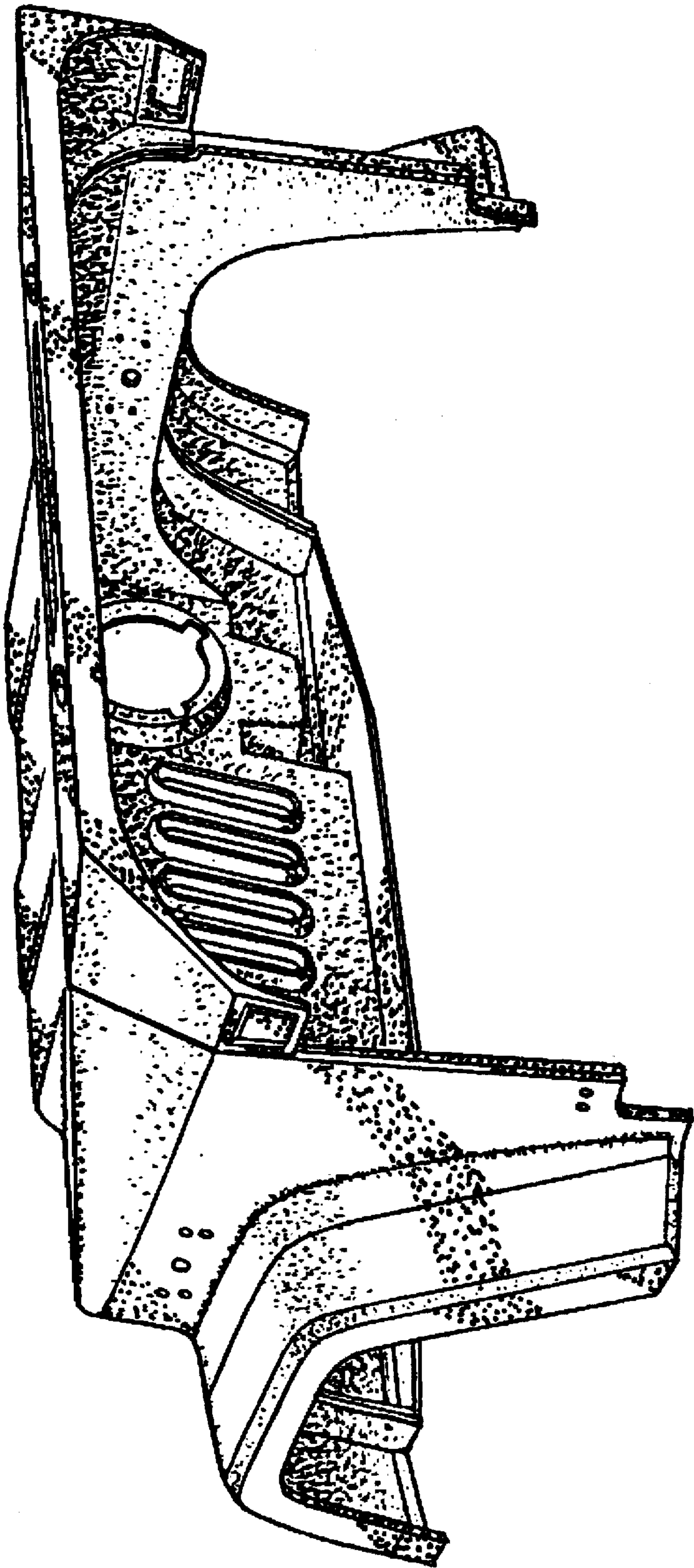


FIG. 7