

US00D389108S

United States Patent [19]

Norwood et al.

[11] Patent Number: **Des. 389,108**

[45] Date of Patent: ****Jan. 13, 1998**

[54] **EXTERIOR SHELL OF A TRUCK GRILL CROWN**

[75] Inventors: **Timothy S. Norwood**, Denton; **Jeffery E. Kerney**, Highland Village; **Richard H. Barrett, Jr.**, Kennedale; **Darald C. Brewster**; **Eric N. Tucker**, both of Denton, all of Tex.

[73] Assignee: **Paccar Inc.**, Bellevue, Wash.

[**] Term: **14 Years**

[21] Appl. No.: **53,326**

[22] Filed: **Apr. 8, 1996**

[51] **LOC (6) CL** **12-16**

[52] **U.S. Cl.** **D12/163**

[58] **Field of Search** **D12/163-166, D12/173, 96, 97; 293/115, 132, 144; 180/69.1, 89.1, 89.12, 89.13; 296/190**

[56] **References Cited**

U.S. PATENT DOCUMENTS

- D. 307,731 5/1990 Kerney et al. D12/96
- D. 313,784 1/1991 Marlow et al. D12/163
- D. 366,638 1/1996 Tucker et al. D12/173

OTHER PUBLICATIONS

"Ultrasleeper" Brochure. Peterbilt Motors Co., PETE-6006 (Mar. 1996).

Commercial Carrier Journal, Mar. 1994, p. back cover, the TIP tractor trailer hood grill, Mar. 1994.

Commercial Carrier Journal, Jun. 1994, p. 71, the Peterbilt truck hood grill, Jun. 1994.

Primary Examiner—Melody N. Brown

Attorney, Agent, or Firm—Flehr Hohbach Test Albritton & Herbert LLP

[57] **CLAIM**

The ornamental design for an exterior shell of a truck grill crown, as shown and described.

DESCRIPTION

FIG. 1 is a top perspective view of an exterior shell of a truck grill crown showing our new design, it being understood that the broken lines are for illustrative purposes only and form no part of the claimed design;

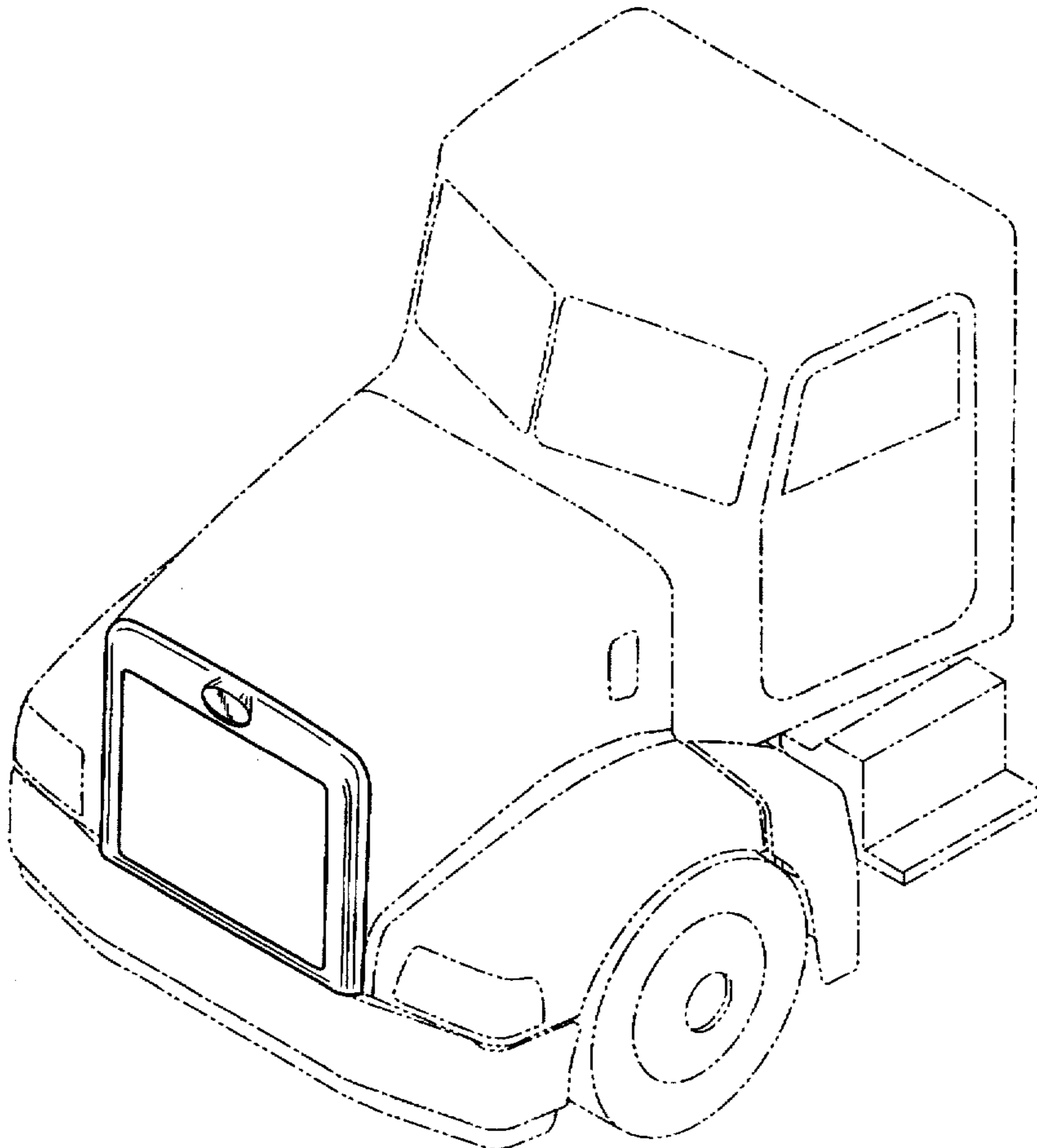
FIG. 2 is a top perspective view thereof;

FIG. 3 is a front elevation view thereof;

FIG. 4 is a side elevation view of one side thereof, the opposite side being a mirror-image of the one side; and,

FIG. 5 is a top plan view thereof.

1 Claim, 3 Drawing Sheets



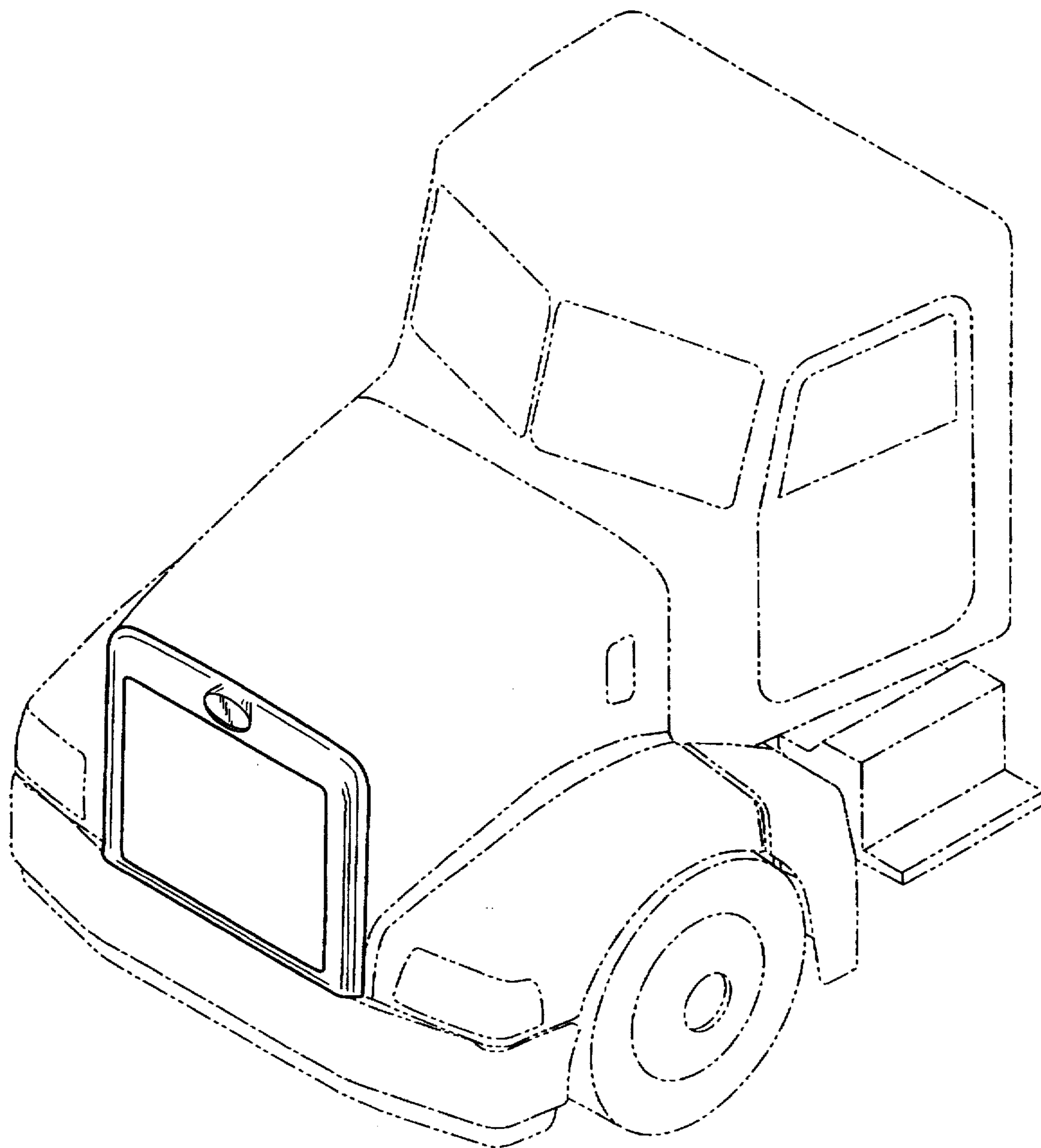


FIG. 1

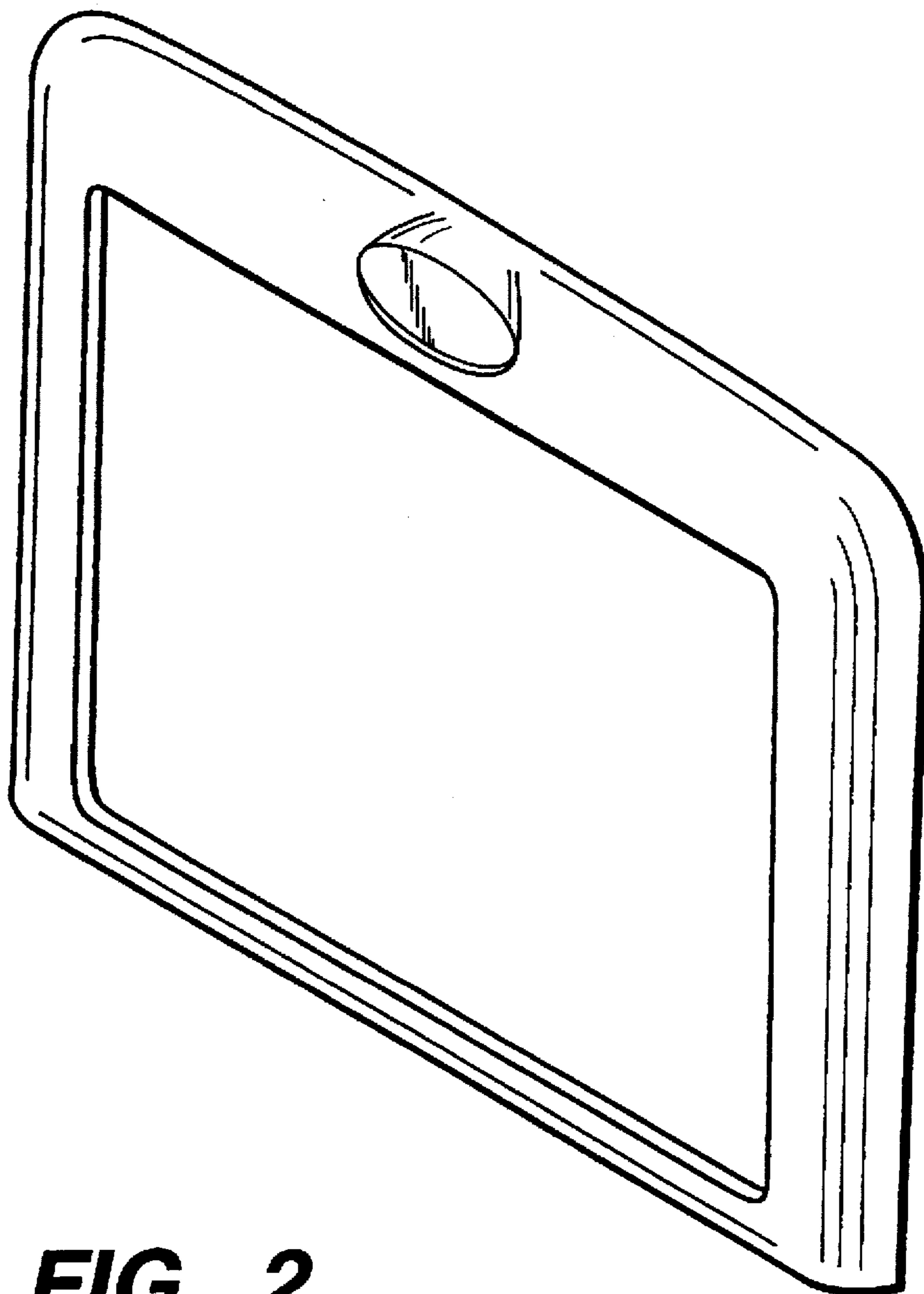


FIG. 2

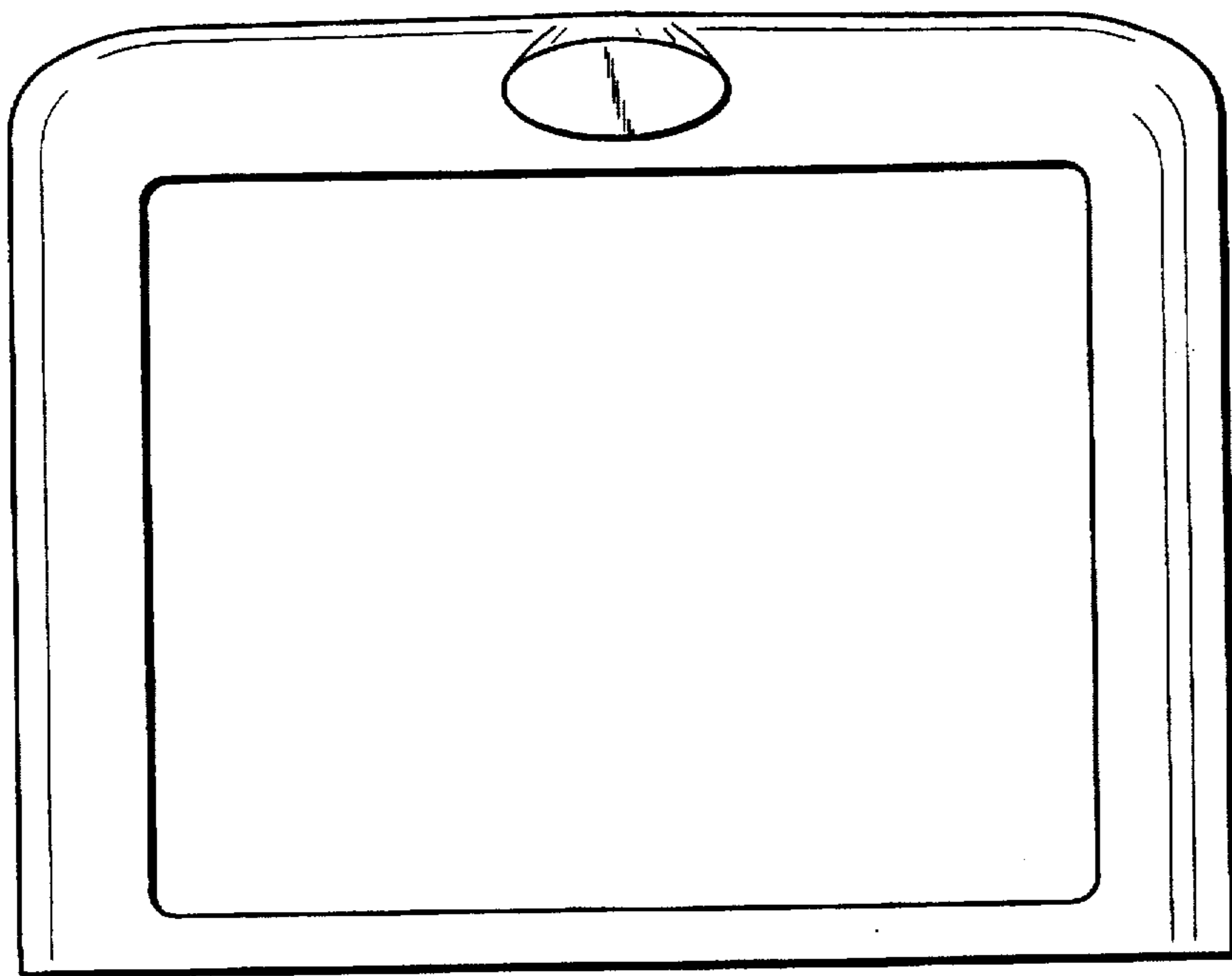


FIG._3



FIG._4



FIG._5