

US00D389097S

# United States Patent [19]

Lavender et al.

[11] Patent Number: **Des. 389,097**

[45] Date of Patent: **\*\*Jan. 13, 1998**

[54] **UNDERSLUNG MOUNTING BRACKET FOR MOTORCYCLE LIGHTS**

[76] Inventors: **William L. Lavender**, 326 Gladys Ave.; **Robert F. Lavender**, 57 Westgate Dr., both of Newark, Ohio 43055

[\*\*] Term: **14 Years**

[21] Appl. No.: **56,489**

[22] Filed: **Jul. 1, 1996**

[51] **LOC (6) Cl.** ..... **12-11**

[52] **U.S. Cl.** ..... **D12/114; D12/223**

[58] **Field of Search** ..... **D8/349, 354; D12/114, D12/223; 280/96.1; 248/300, 209.1, 200, 200.1; 180/219**

[56] **References Cited**  
**PUBLICATIONS**

Drag Specialties, p. 235, headlight bracket, item C at right of page, Feb. 1987.

Drag Specialties, p. 473, bracket, item A at right of page, Feb. 1987.

Drag Specialties, p. 472, light mounts, item A at right of page, Feb. 1987.

*Primary Examiner*—Holly Baynham

*Attorney, Agent, or Firm*—Kremblas, Foster, Millard & Pollick; Sidney W. Millard

[57] **CLAIM**

The ornamental design for an underslung mounting bracket for motorcycle lights, as shown and described.

**DESCRIPTION**

FIG. 1 is a top plan view of an underslung mounting bracket for motorcycle lights;

FIG. 2 is a bottom plan view of FIG. 1;

FIG. 3 is a front elevational view of FIG. 1;

FIG. 4 is a side elevational view of the invention of FIG. 1, the opposite side is a mirror image;

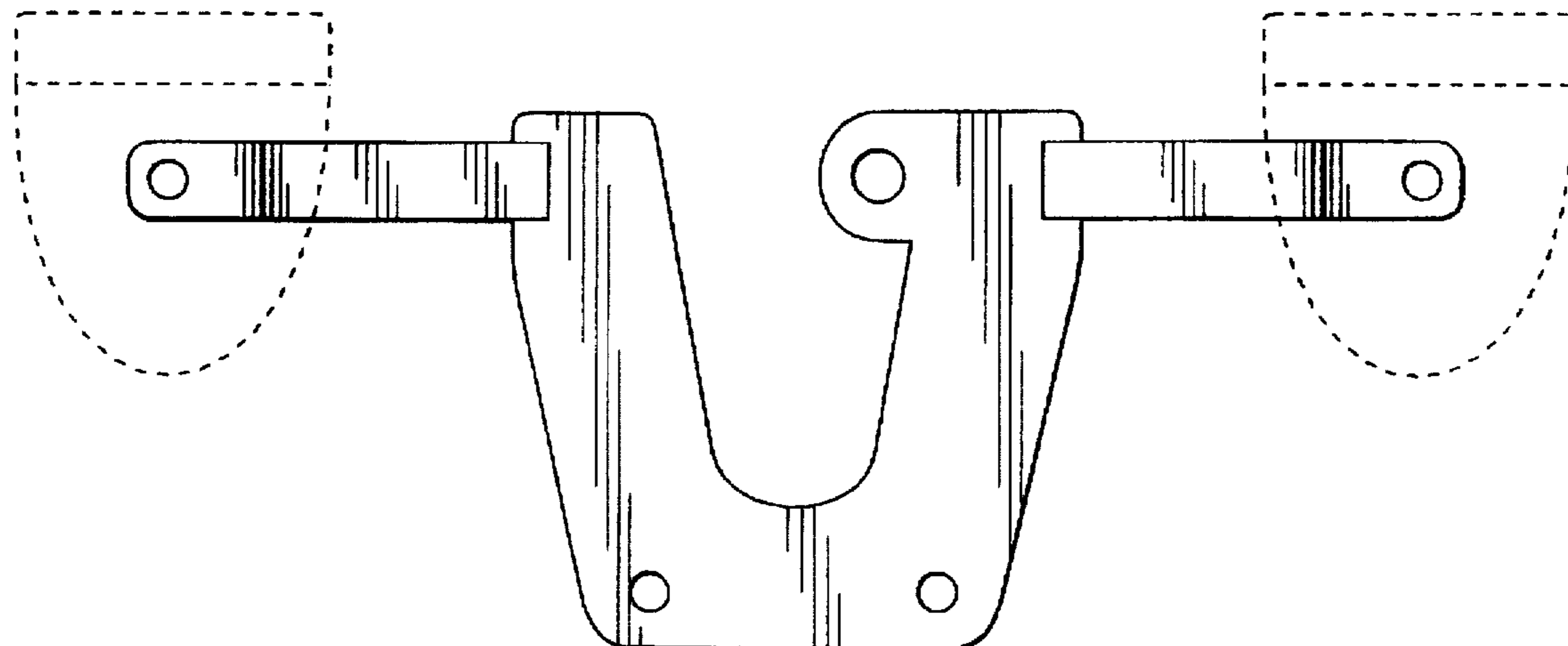
FIG. 5 is a rear elevational view of FIG. 1;

FIG. 6 is a top plan view of a second embodiment of the design shown in FIG. 1;

The broken line showing of motorcycle lights is for illustrative purposes only and forms no part of the claimed design.

The undisclosed side and rear views of the second embodiment are identical in appearance to the side and rear views of the first embodiment. The bottom plan view of the second embodiment is similar in appearance to the bottom view of the first embodiment except for the protrusion of the lock element in the U-shaped opening.

**1 Claim, 3 Drawing Sheets**



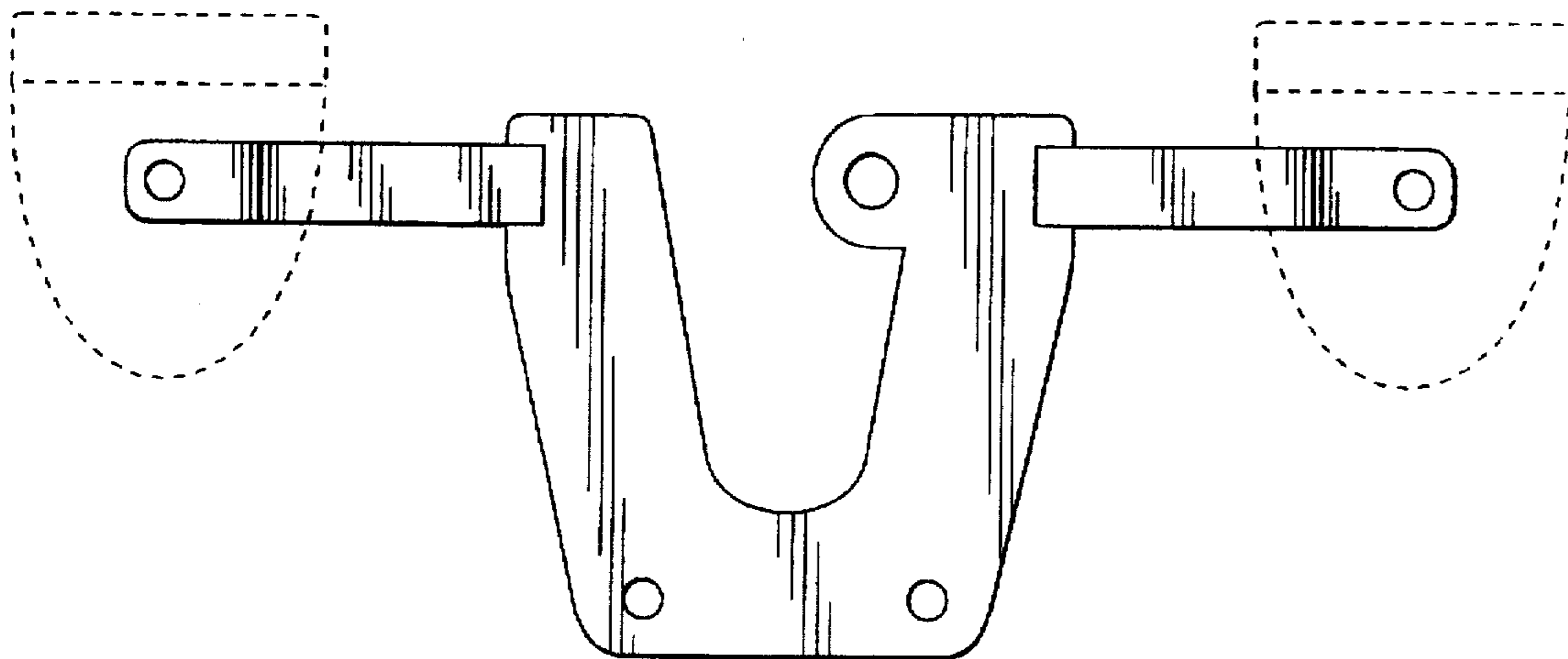


FIG. 1

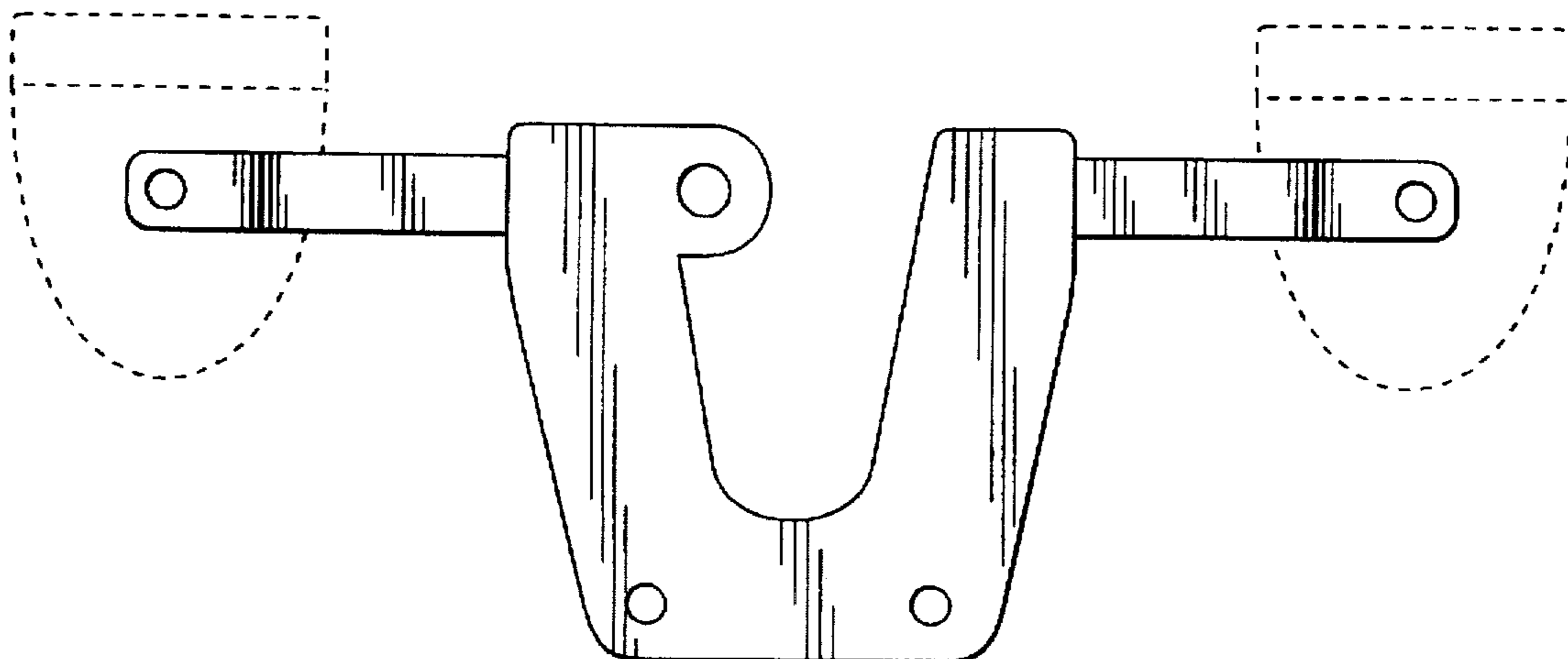
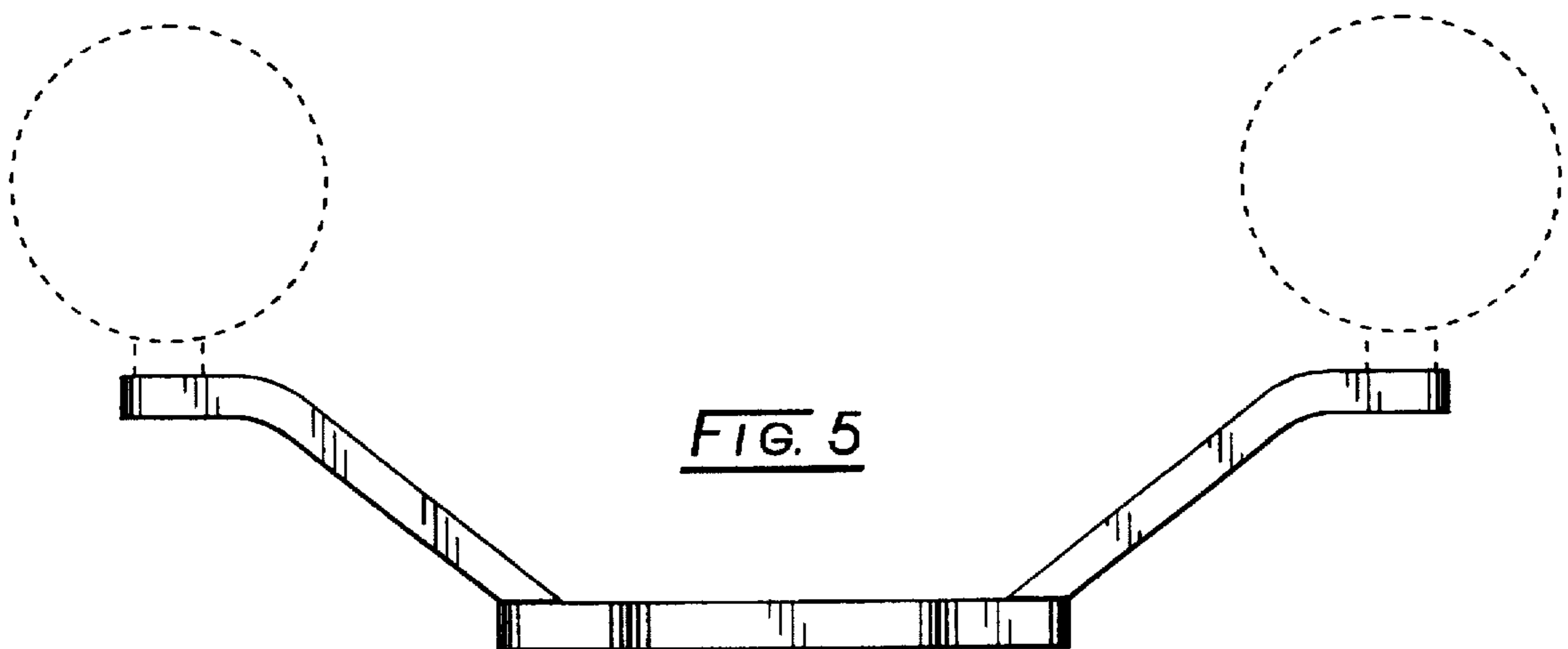
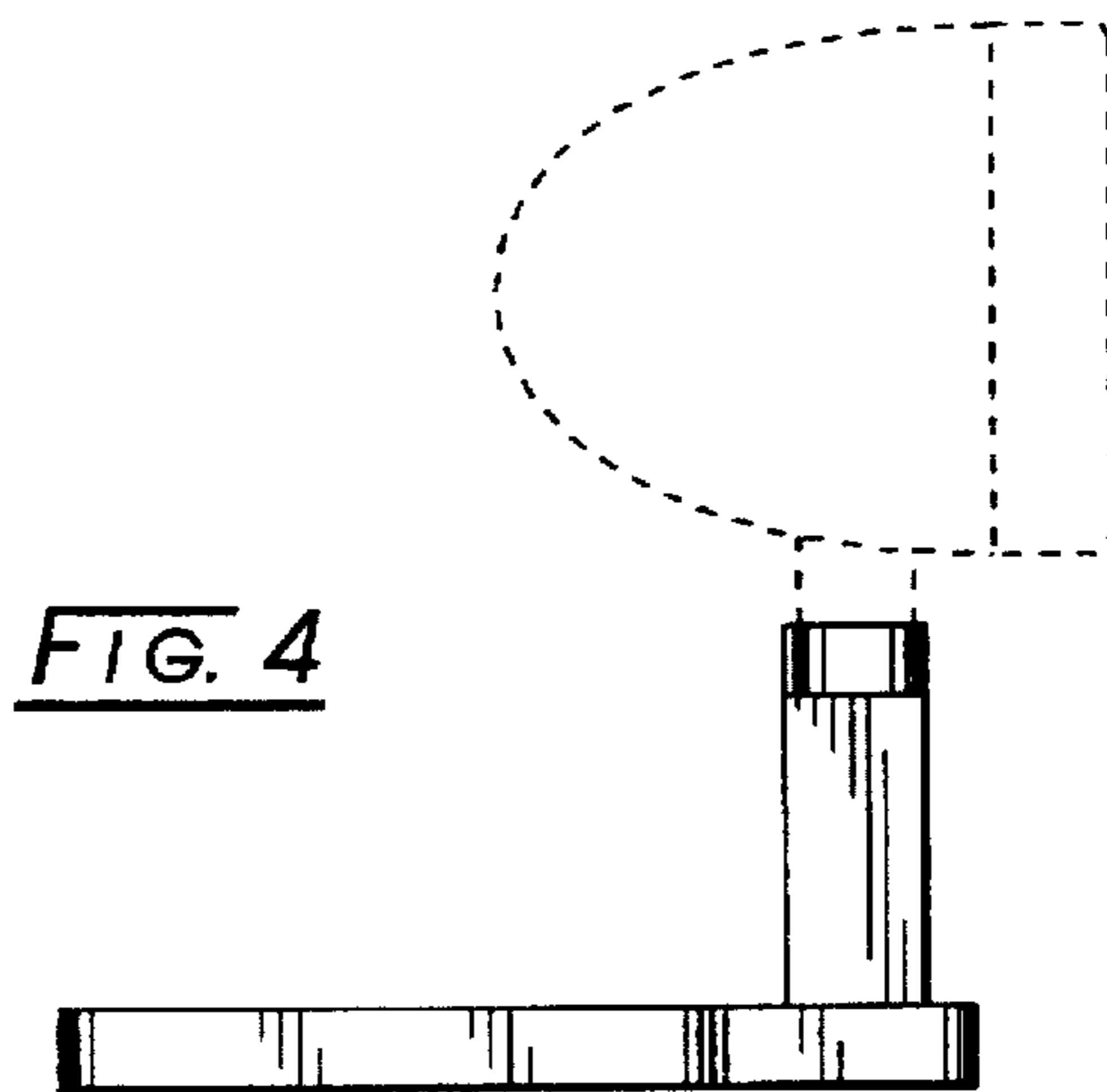
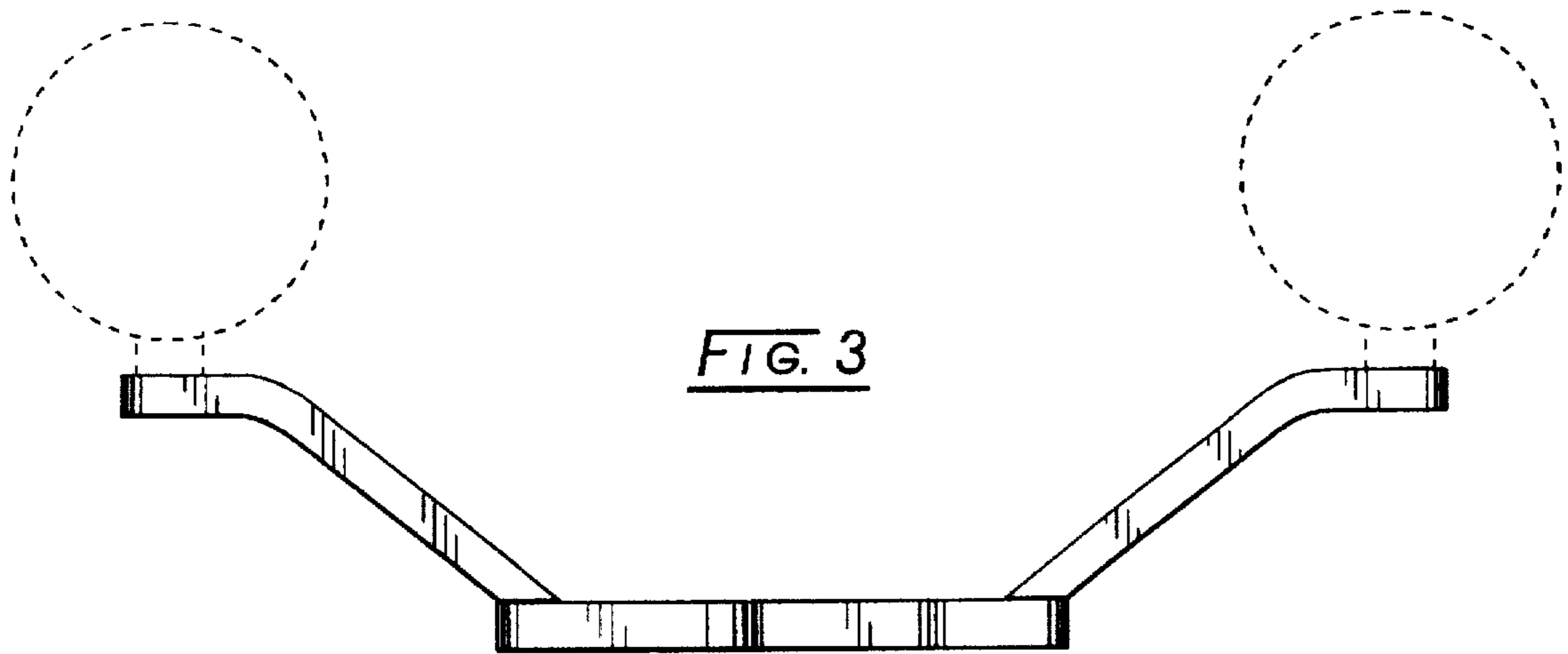


FIG. 2



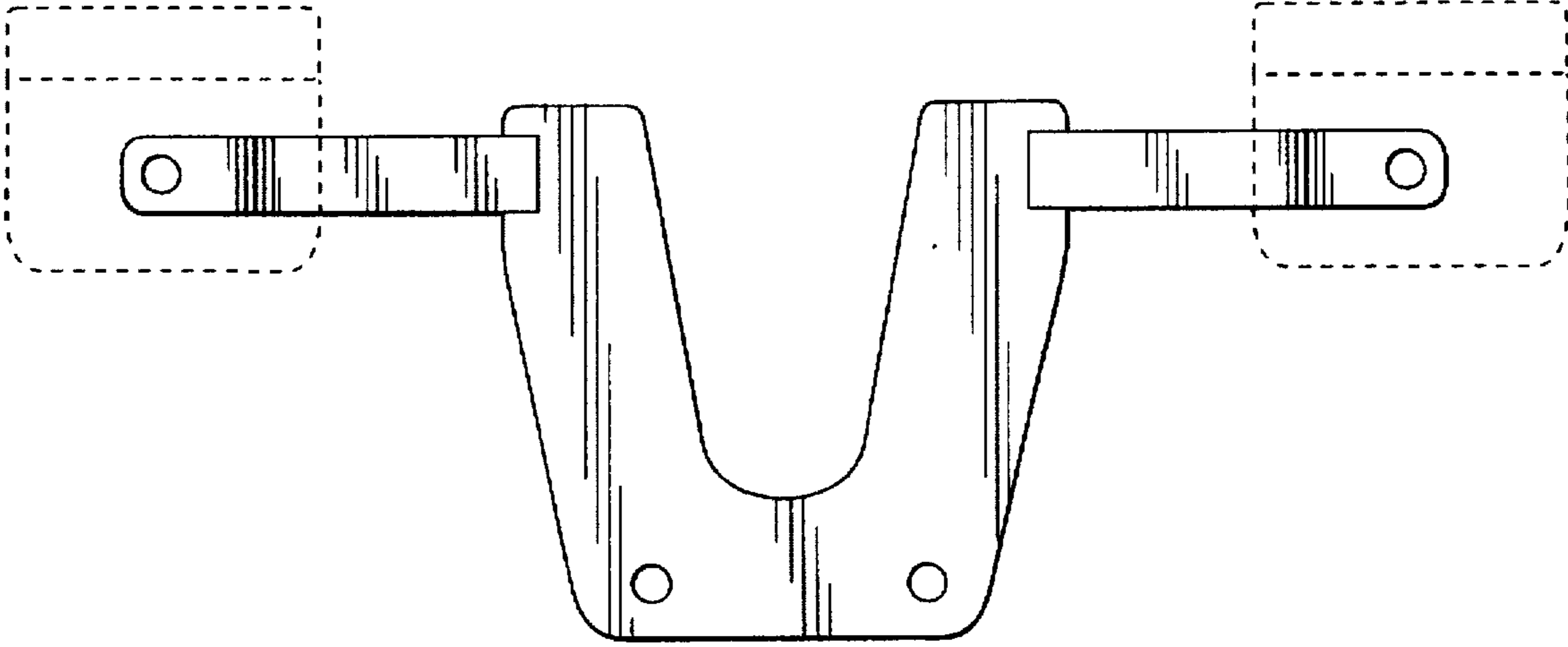


FIG. 6