



US00D389095S

United States Patent [19]

Stollery

[11] Patent Number: **Des. 389,095**

[45] Date of Patent: ****Jan. 13, 1998**

[54] **VEHICLE BODY KIT**

[75] Inventor: **David J. Stollery**, Laguna Beach, Calif.

[73] Assignee: **Industrial Design Research, Inc.**,
Laguna Beach, Calif.

[**] Term: **14 Years**

[21] Appl. No.: **45,460**

[22] Filed: **Oct. 20, 1995**

[51] LOC (6) Cl. **12-08**

[52] U.S. Cl. **D12/91**

[58] Field of Search **D12/90-93; 280/185**

[56] **References Cited**

U.S. PATENT DOCUMENTS

- D. 172,124 5/1954 **Blenkle** D12/99 X
- D. 220,837 6/1971 **Mattson** D12/98
- D. 296,538 7/1988 **Kim** D12/91

OTHER PUBLICATIONS

J. C. Whitney & Co Catalog, 575C, ©1995, p. 173, the bottom Heavy-Gauge Steel Body Parts for Jeeps & Fiberglass Body Parts for Jeeps.
Automotive Industries, Mighty Mite p. 18, Feb. 1, 1959.

Automotive News, Datsun Patrol, p. 254, 1963 Almanac Issue, 1963.

Motor Trend, Jeep CJ-7, p. 51 Mar. 1976.
Jeep Catalog, Jeep CJ-5, pp. 6, 7, 9, 1974.

Primary Examiner—Melody N. Brown
Attorney, Agent, or Firm—Larry K. Roberts

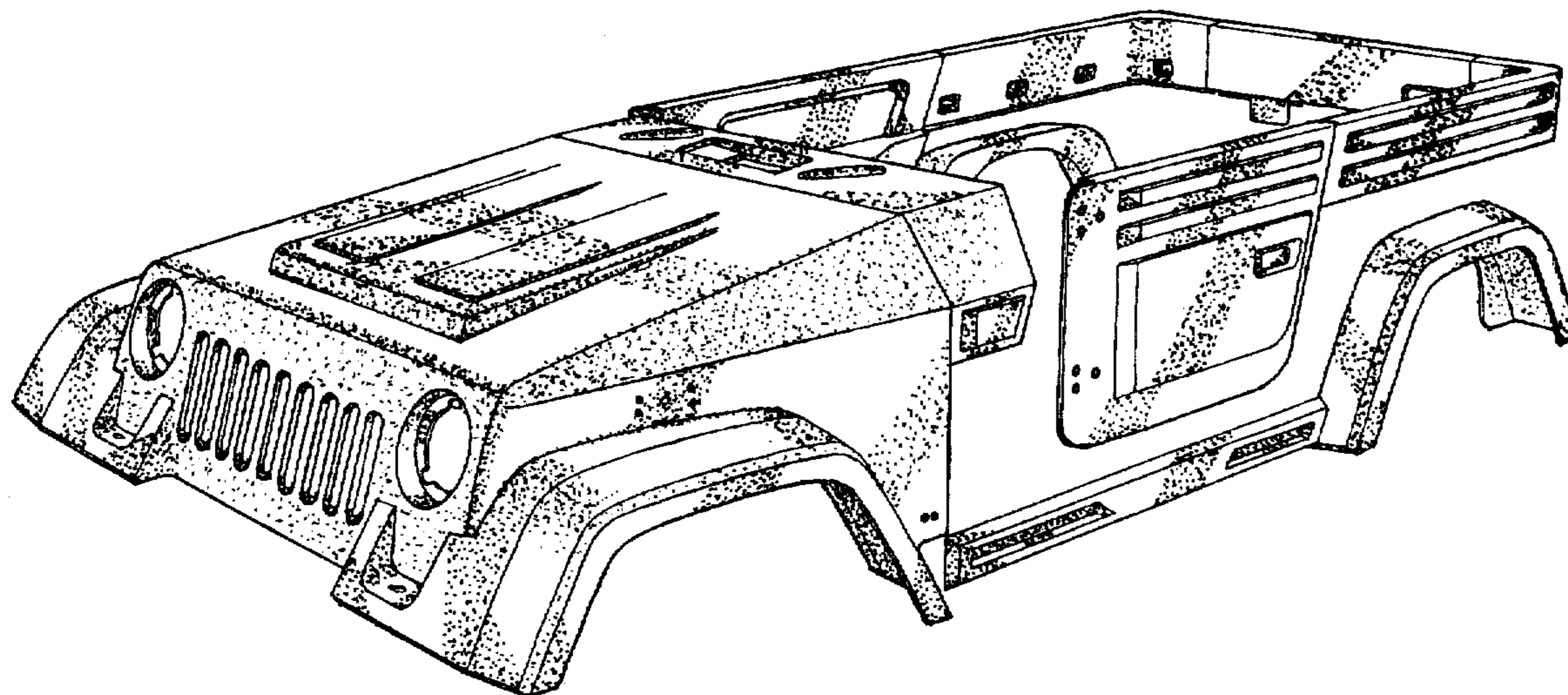
[57] **CLAIM**

The ornamental design for a vehicle body kit, as shown and described.

DESCRIPTION

FIG. 1 is a front elevation view of a vehicle body kit showing my new design;
 FIG. 2 is a rear elevation view thereof;
 FIG. 3 is a top plan view thereof;
 FIG. 4 is a left side elevation view thereof, the right side elevation view being a mirror image of the left side elevation view;
 FIG. 5 is a bottom view thereof;
 FIG. 6 is a right elevation view of the door and rear brush guard elements thereof, taken from the interior of the vehicle;
 FIG. 7 is a left rear three quarter perspective view thereof; and,
 FIG. 8 is a left front three quarter perspective view thereof.

1 Claim, 8 Drawing Sheets



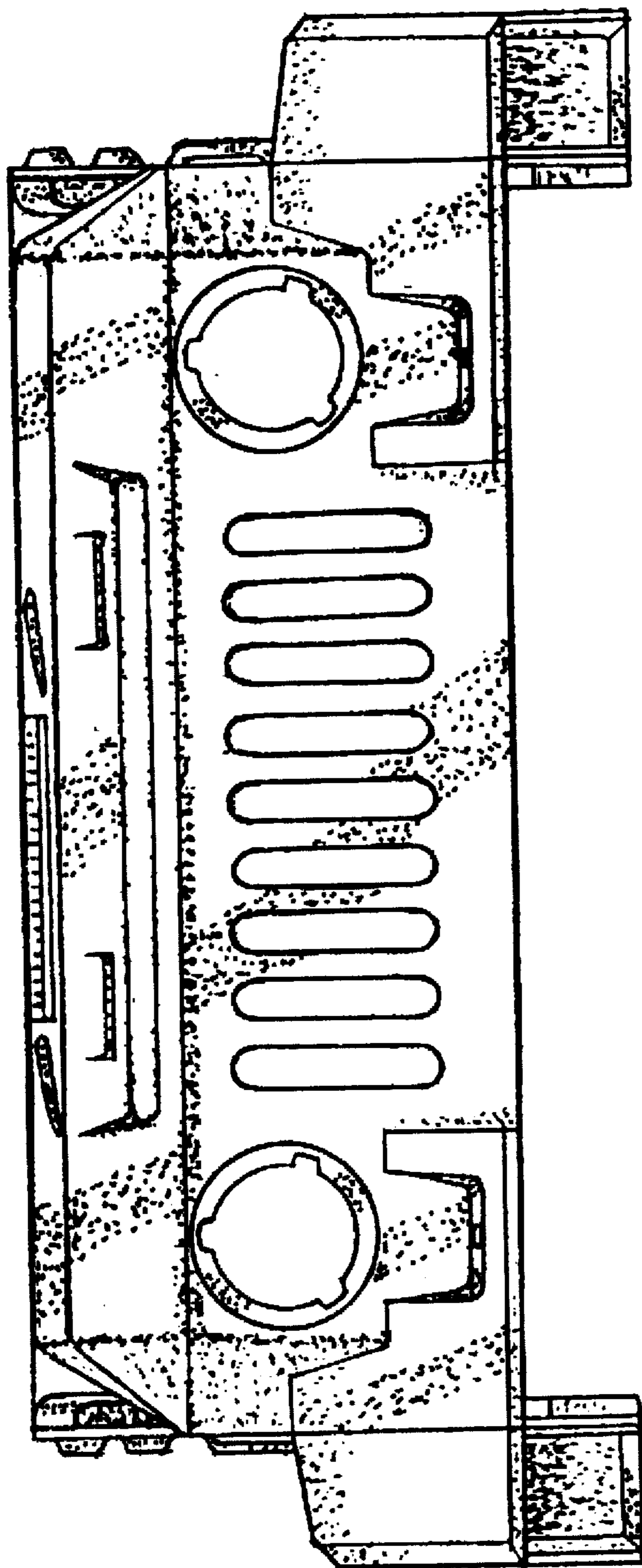


FIG. 1

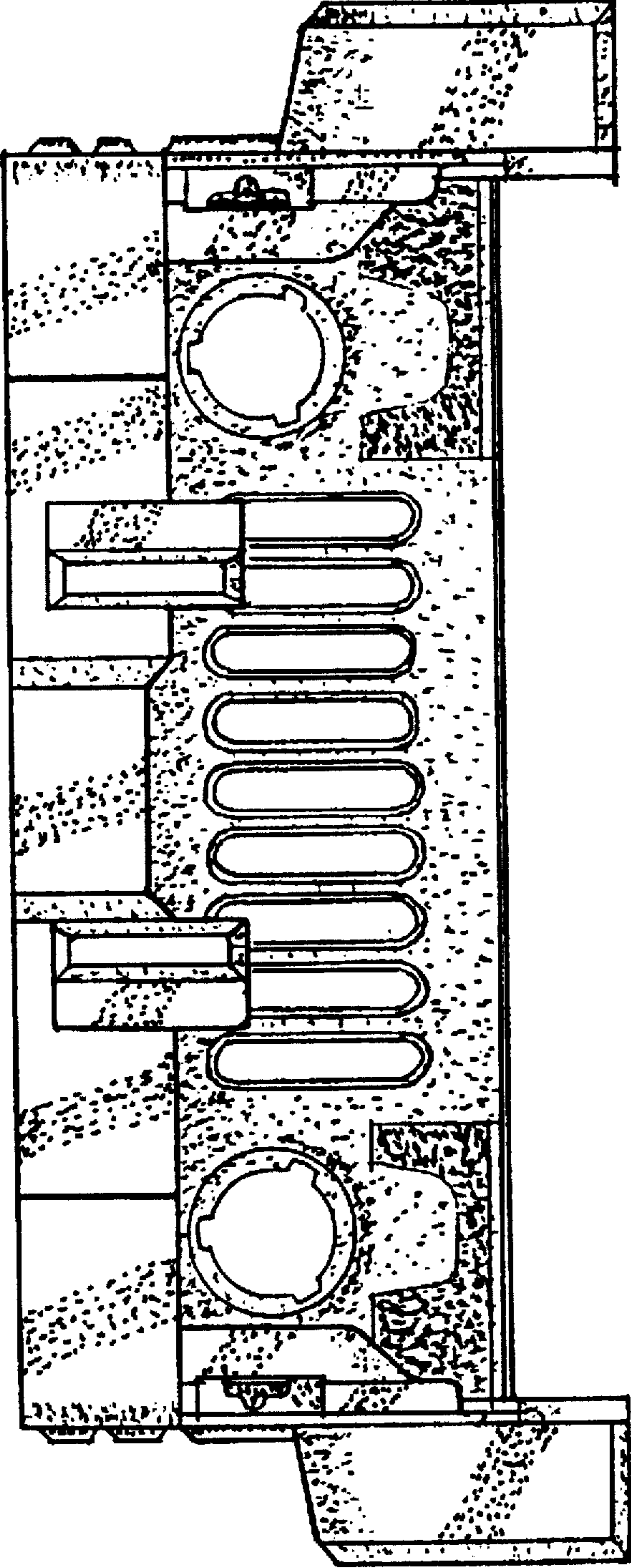


FIG. 2

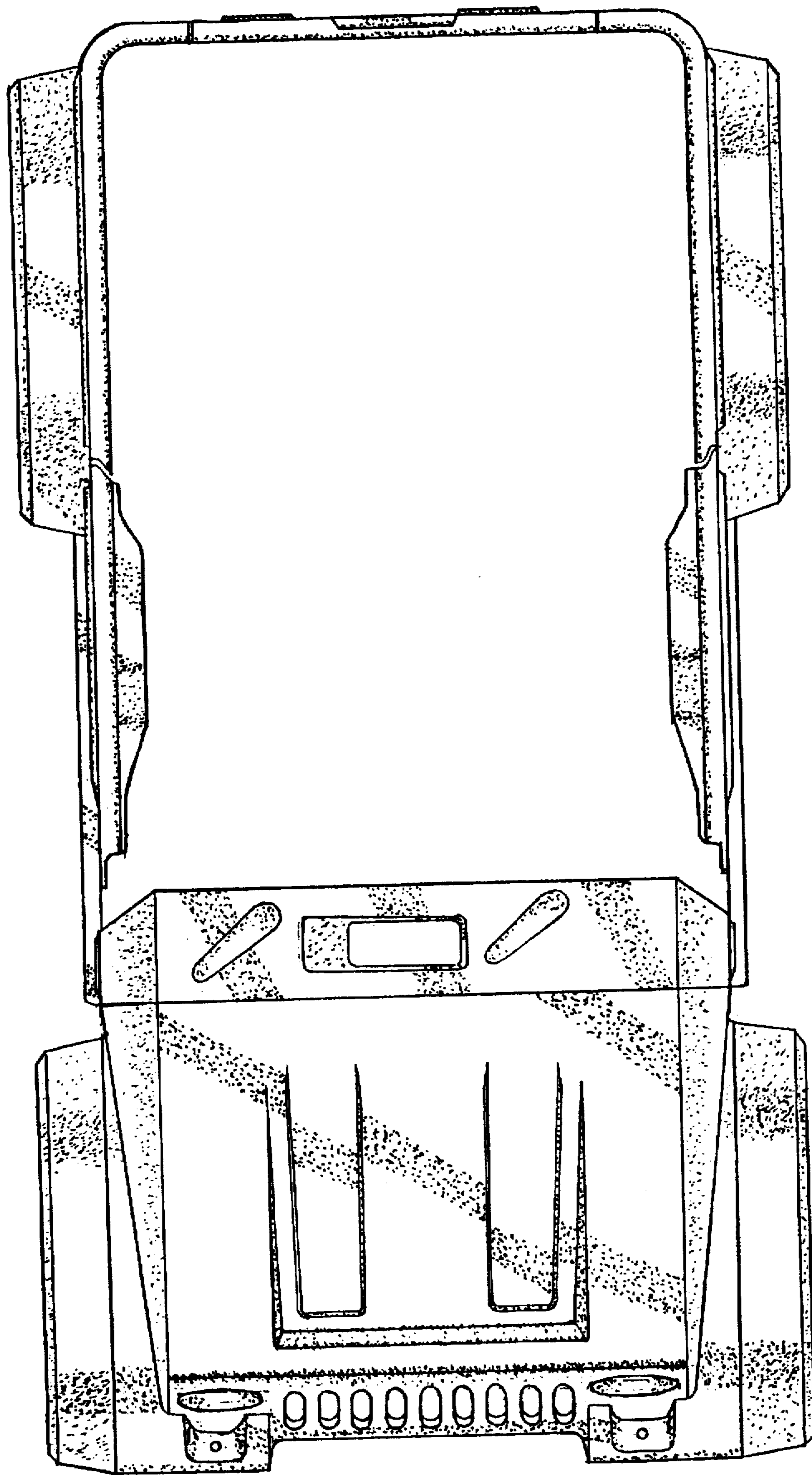


FIG. 3

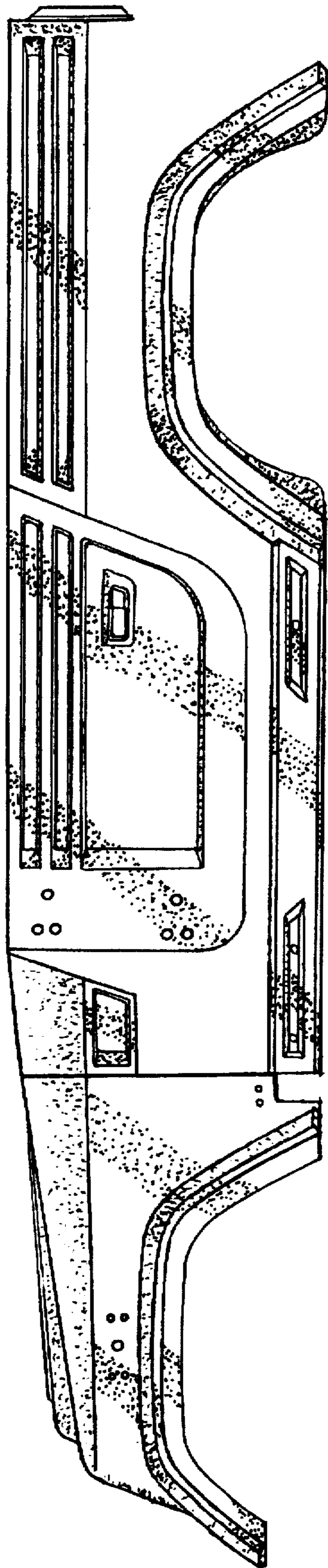


FIG. 4

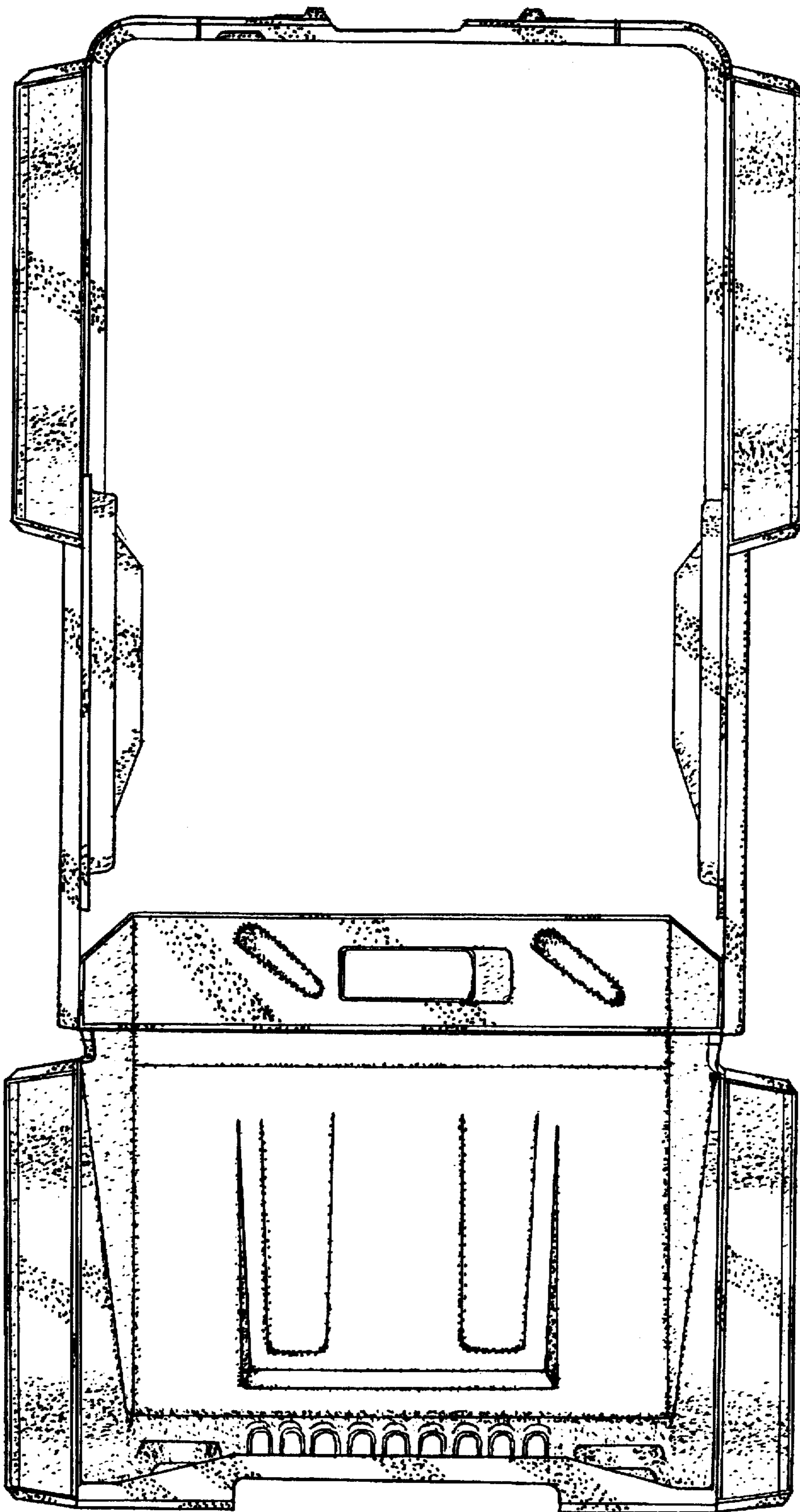


FIG. 5

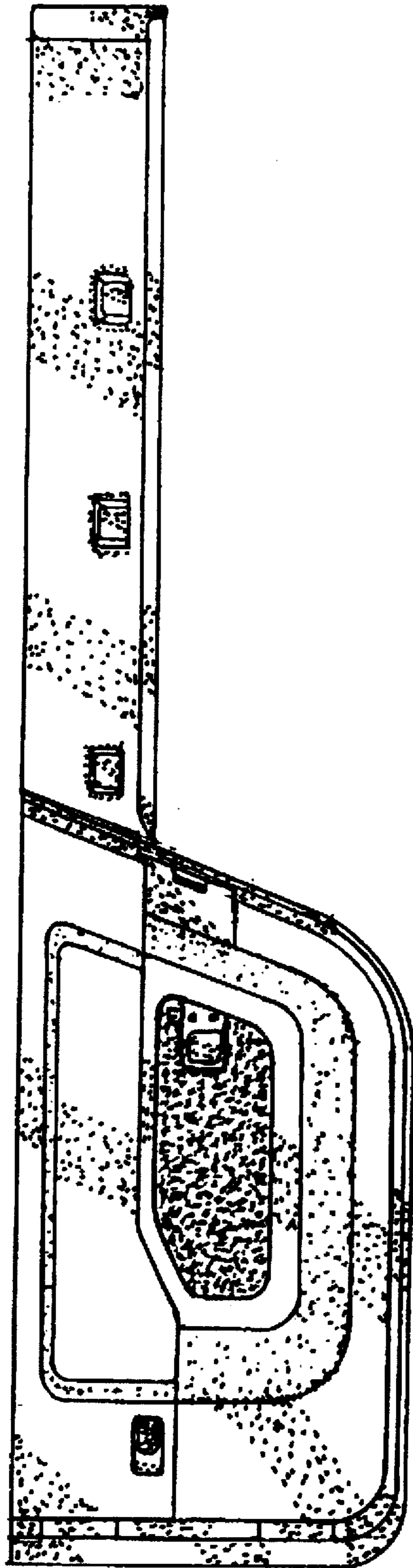


FIG. 6

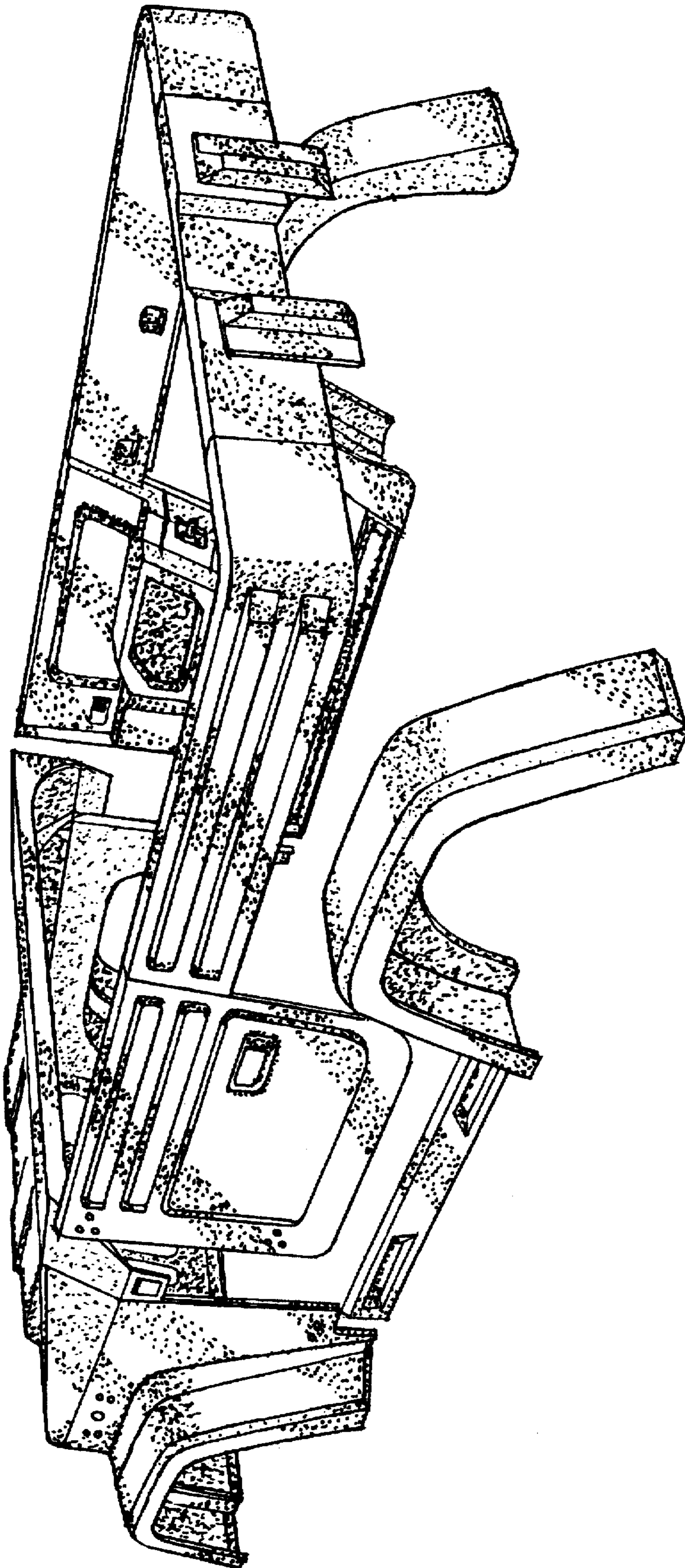


FIG. 7

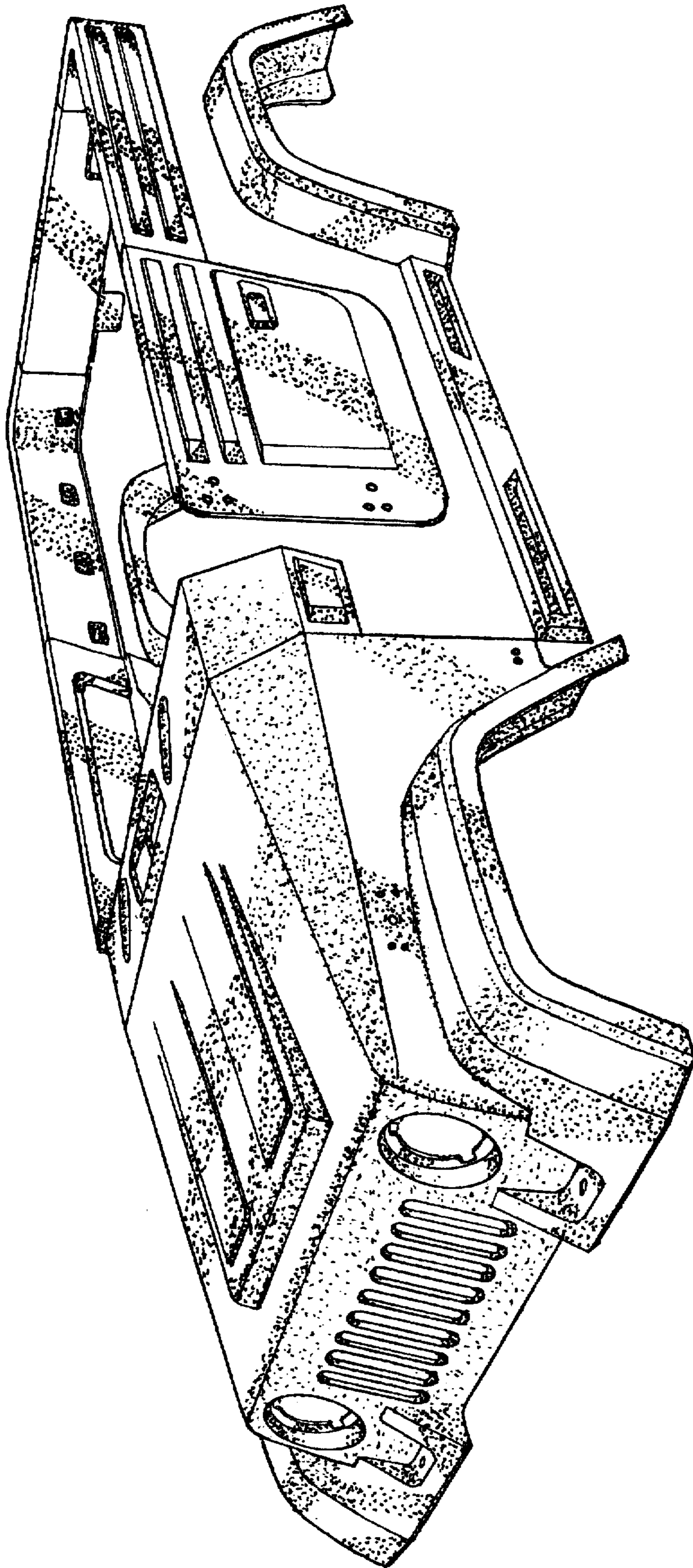


FIG. 8