



US00D389094S

**United States Patent** [19]  
**Stollery**

[11] **Patent Number: Des. 389,094**  
[45] **Date of Patent: \*\*Jan. 13, 1998**

[54] **VEHICLE**  
[75] **Inventor: David J. Stollery, Laguna Beach, Calif.**  
[73] **Assignee: Industrial Design Research, Inc., Laguna Beach, Calif.**  
[\*\*] **Term: 14 Years**

D. 253,763 12/1979 Legueu ..... D12/164  
D. 296,537 7/1988 Kim ..... D12/91  
D. 316,986 5/1991 Hackett et al. .... D12/91  
D. 318,828 8/1991 Wada et al. .... D12/91

*Primary Examiner—Melody N. Brown*  
*Attorney, Agent, or Firm—Larry K. Roberts*

[21] **Appl. No.: 45,455**  
[22] **Filed: Oct. 20, 1995**

[57] **CLAIM**  
The ornamental design for a vehicle, as shown.

[51] **LOC (6) Cl. .... 12-08**  
[52] **U.S. Cl. .... D12/91**  
[58] **Field of Search ..... D12/86, 90-92; 296/185**

**DESCRIPTION**

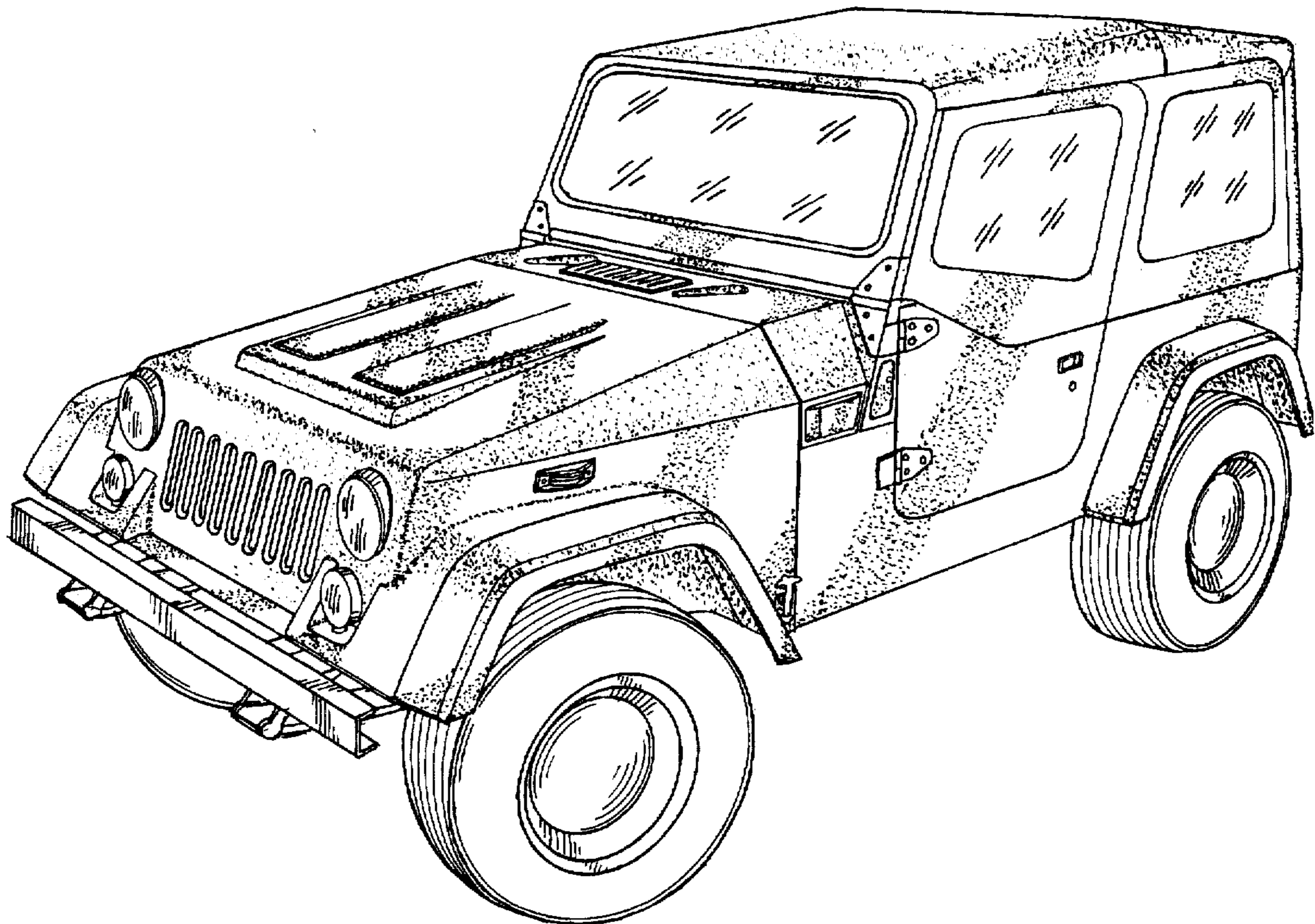
FIG. 1 is a left side elevational view of a vehicle showing my new design, the right side being a mirror image of that side shown;  
FIG. 2 is a top plan view thereof;  
FIG. 3 is a left side and rear perspective view thereof; and,  
FIG. 4 is a left side and front perspective view thereof.

[56] **References Cited**

**U.S. PATENT DOCUMENTS**

D. 220,837 6/1971 Mattson ..... D12/91

**1 Claim, 4 Drawing Sheets**



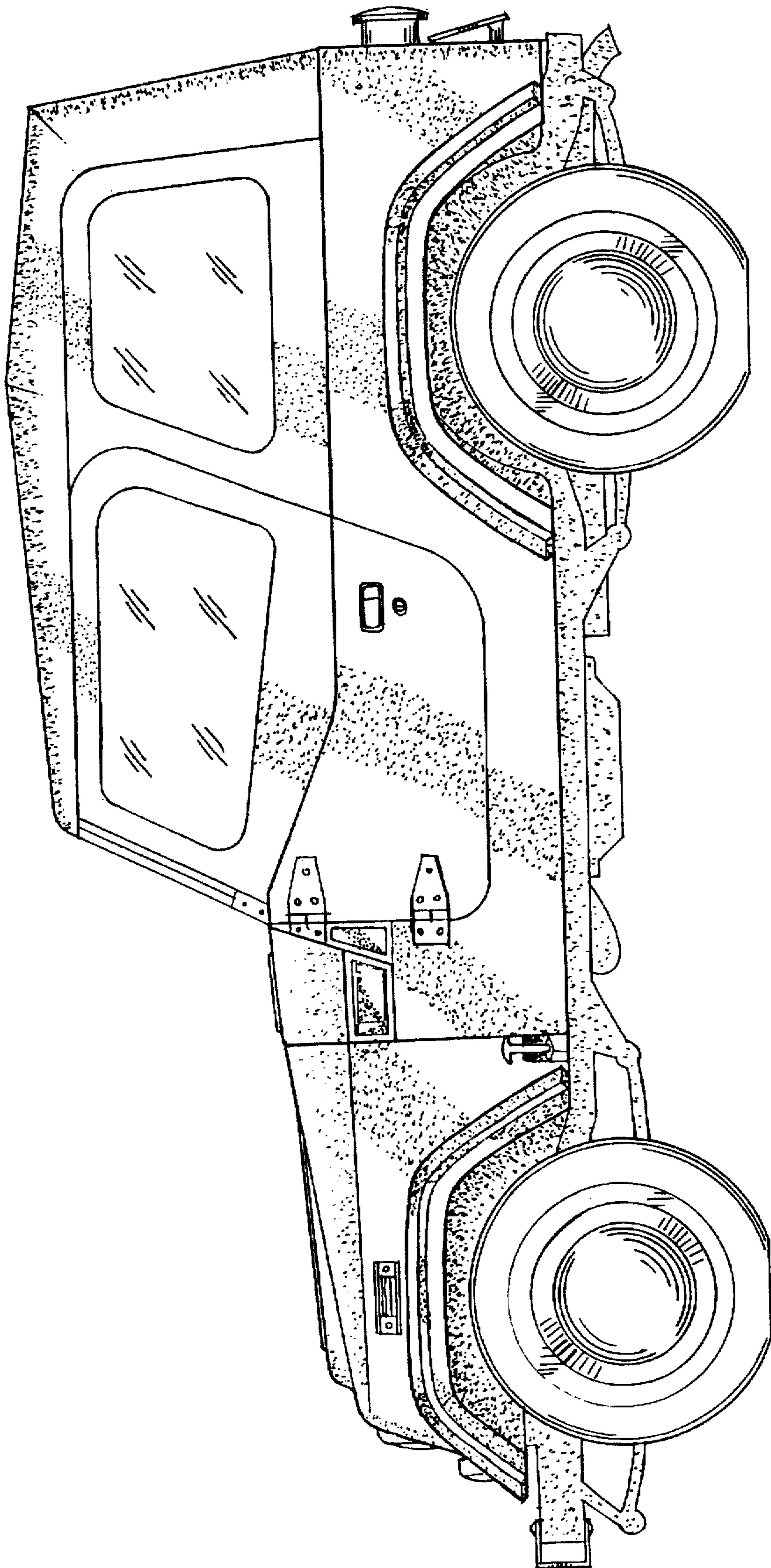


FIG. 1

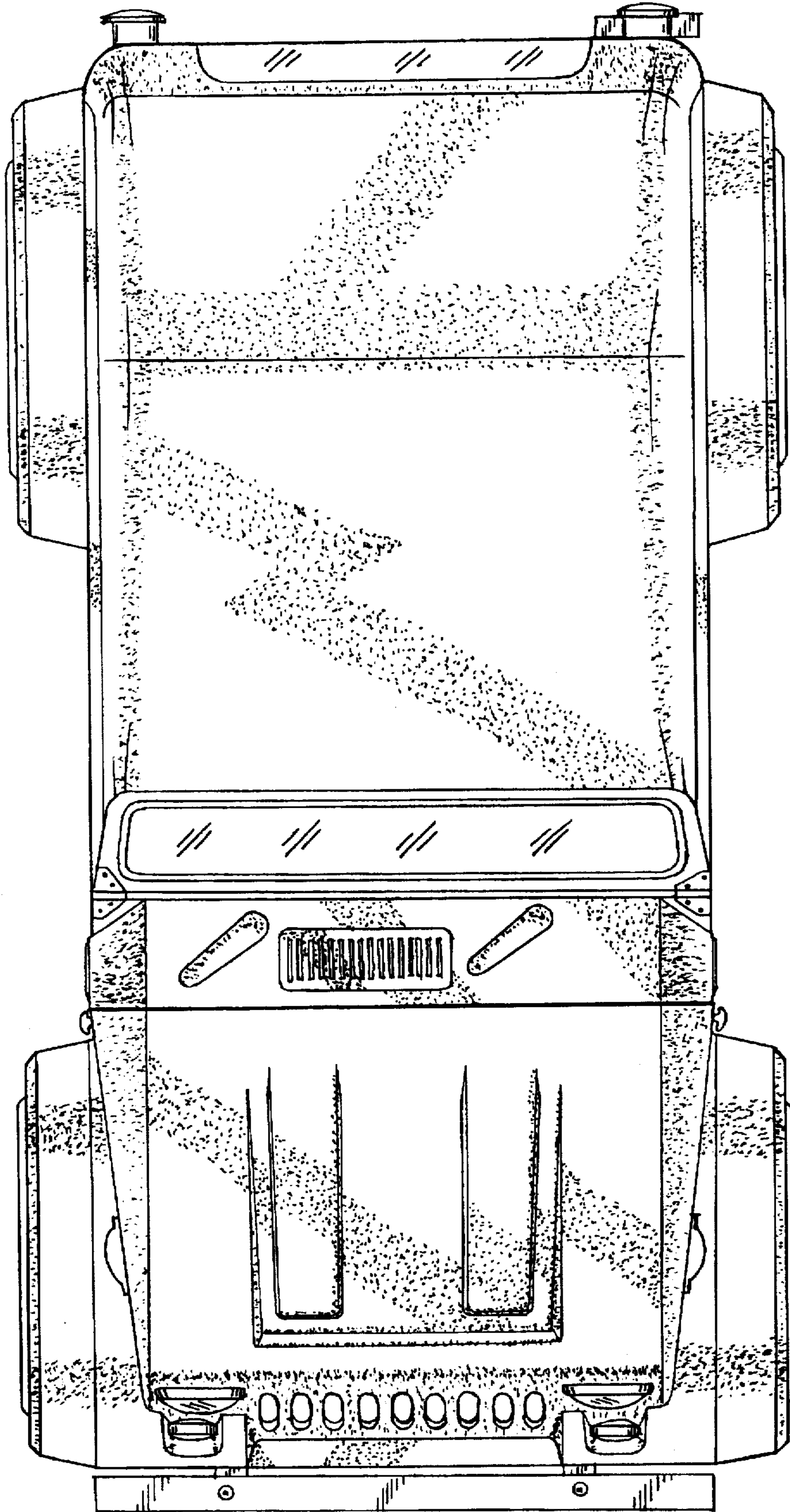


FIG. 2

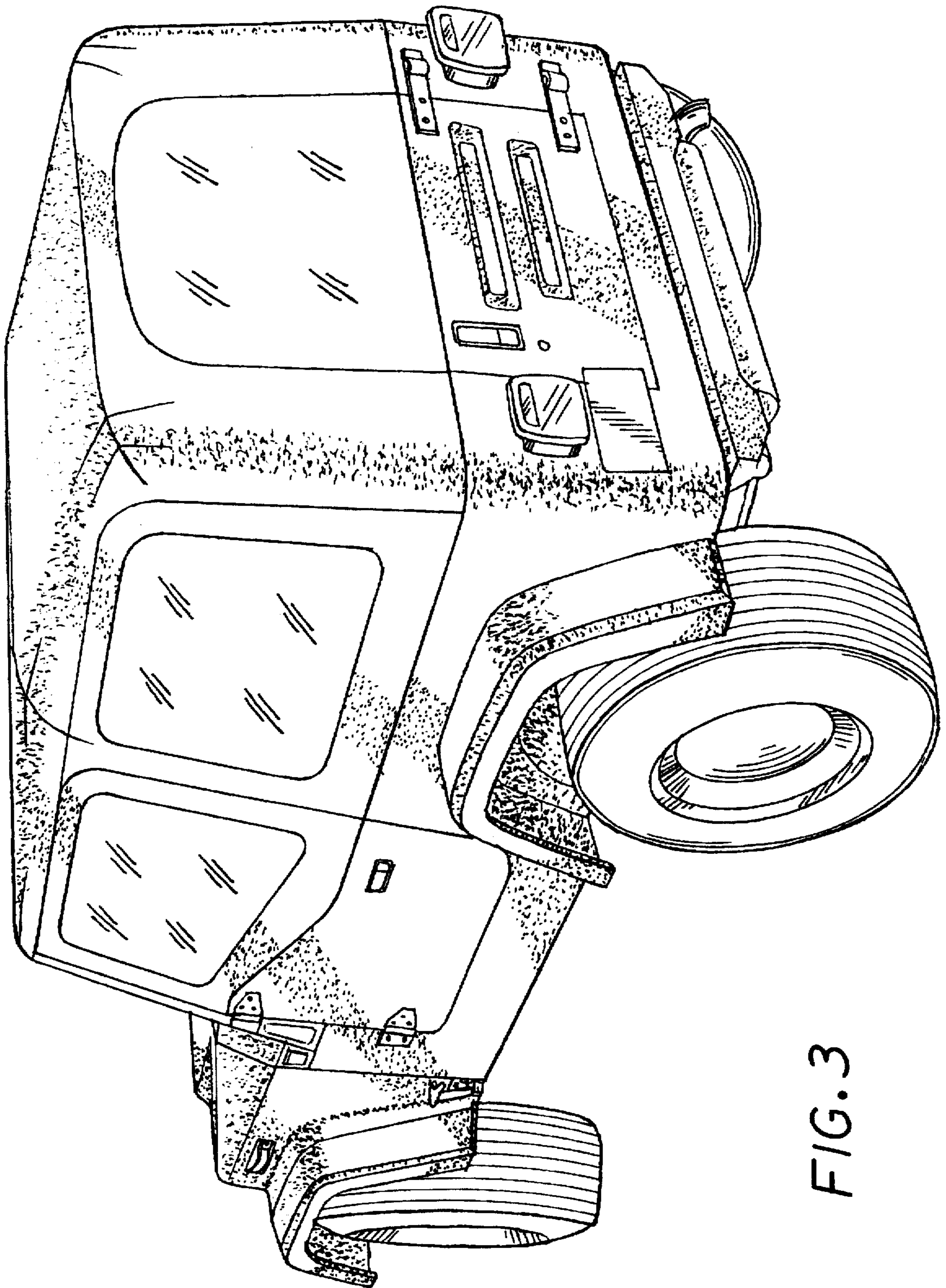


FIG. 3

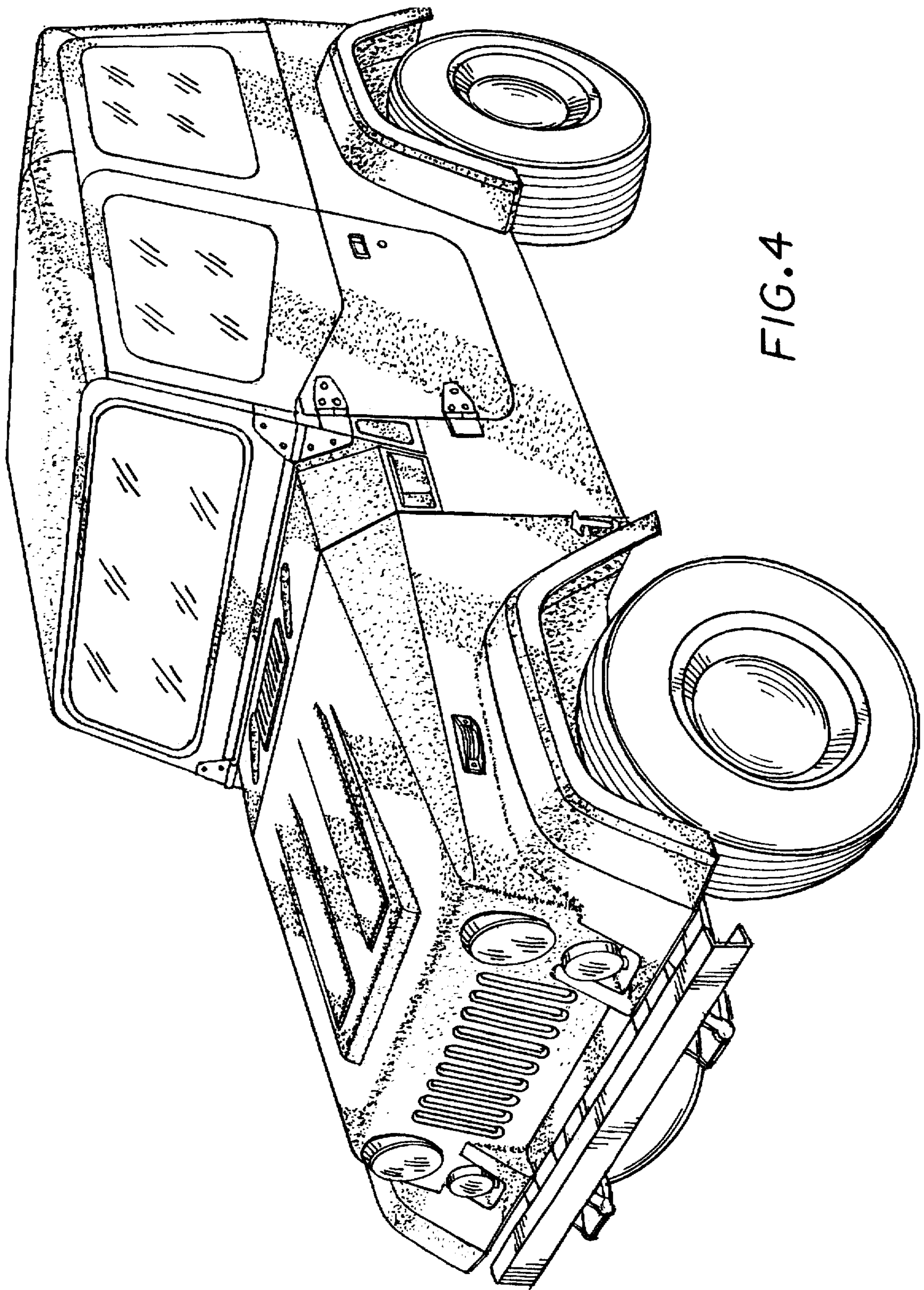


FIG. 4