



US00D389091S

# United States Patent [19]

Dickinson et al.

[11] Patent Number: **Des. 389,091**

[45] Date of Patent: **\*\*Jan. 13, 1998**

[54] **FLOWER POT**

[75] Inventors: **Thomas Dickinson; Bradley D. Gale,**  
both of St. Louis, Mo.

[73] Assignee: **Contico International, Inc.,** St. Louis,  
Mo.

[\*\*] Term: **14 Years**

[21] Appl. No.: **40,312**

[22] Filed: **Jun. 15, 1995**

### Related U.S. Application Data

[62] Division of Ser. No. 31,754, Dec. 5, 1994, Pat. No. Des.  
368,234.

[51] LOC (6) Cl. .... **11-02**

[52] U.S. Cl. .... **D11/156**

[58] Field of Search ..... **D11/143, 155,**  
**D11/156; D7/609; D9/430-432; 47/66 R,**  
**68**

D. 324,005	2/1992	Grosfillex .	
D. 325,544	4/1992	Foret .	
D. 329,406	9/1992	Grosfillex .	
D. 331,549	12/1992	Embree .	
D. 331,727	12/1992	Grosfillex .	
D. 338,377	8/1993	Scott, Jr. et al. .	
D. 338,428	8/1993	Grosfillex .....	D11/156
D. 338,811	8/1993	Scott, Jr. et al. .	
D. 340,169	10/1993	Scott, Jr. et al. .	
D. 340,204	10/1993	Grosfillex .	
D. 359,013	6/1995	Carlson .....	D11/156
2,550,602	4/1951	Rothe .	
2,802,304	8/1957	Hille .	
3,058,263	10/1962	Reynolds .	
3,220,144	11/1965	Green .	
3,676,953	7/1972	Delogne .	
3,906,666	9/1975	Daenen et al. .	
4,315,382	2/1982	Kay et al. .	
4,434,577	3/1984	Holtkamp .	
4,912,875	4/1990	Tardif .	
5,042,197	8/1991	Pope .	

### FOREIGN PATENT DOCUMENTS

3500435 7/1985 Germany ..... 47/66 R

### OTHER PUBLICATIONS

"Garden Scene, Quality Planterware" catalog, Dura Cotta®  
Planters, pp. 20-21, undated.

*Primary Examiner*—James Gandy  
*Assistant Examiner*—Cathron B. Matta  
*Attorney, Agent, or Firm*—Howell & Haferkamp, L.C.

### [57] CLAIM

The ornamental design for a flower pot, as shown and  
described.

### DESCRIPTION

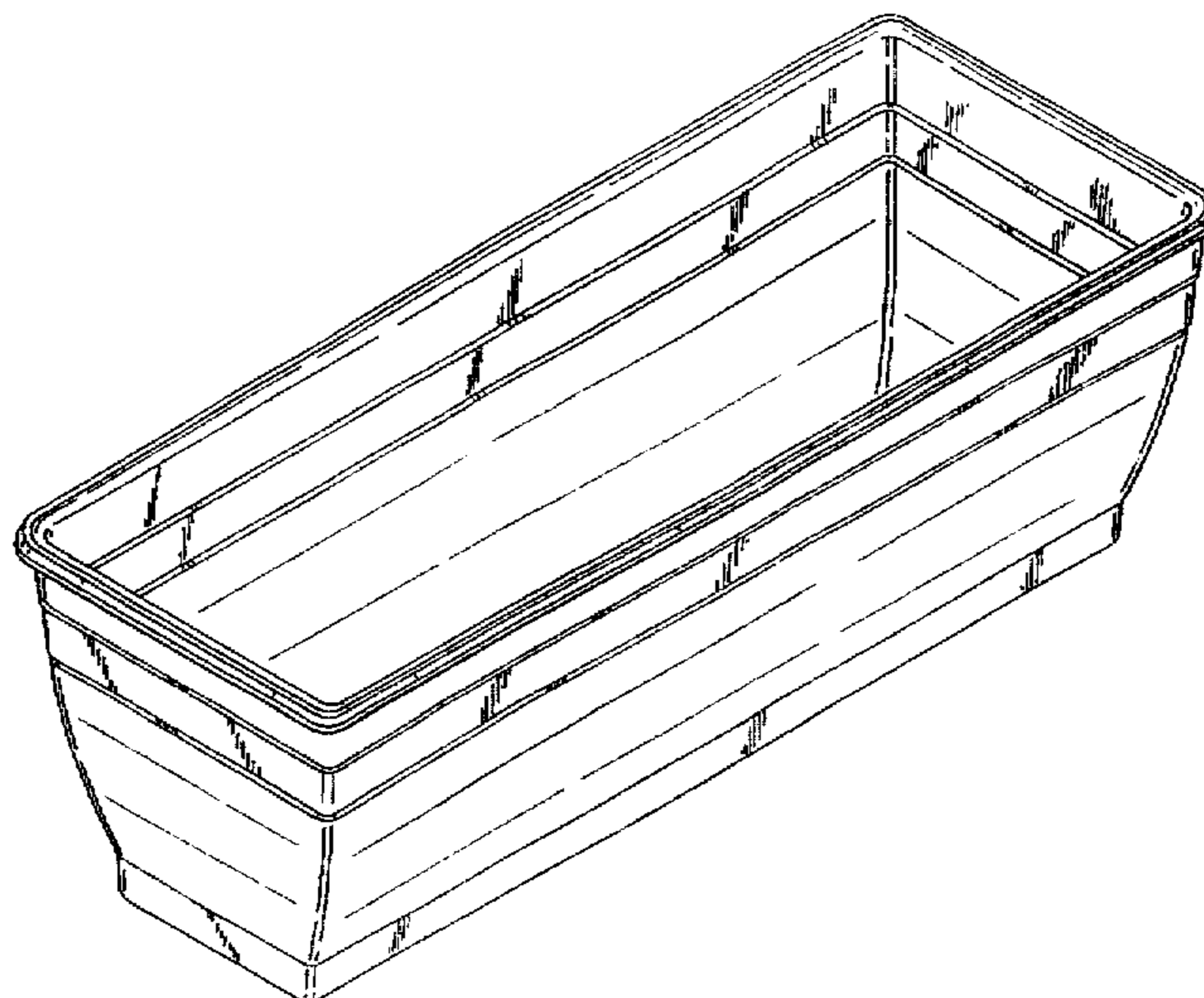
FIG. 1 is a perspective view of a flower pot;  
FIG. 2 is a top, plan view thereof;  
FIG. 3 is a side, elevational view thereof, the opposite side  
being identical;  
FIG. 4 is an end elevational view thereof, the opposite end  
being identical; and,  
FIG. 5 is a bottom, plan view thereof.

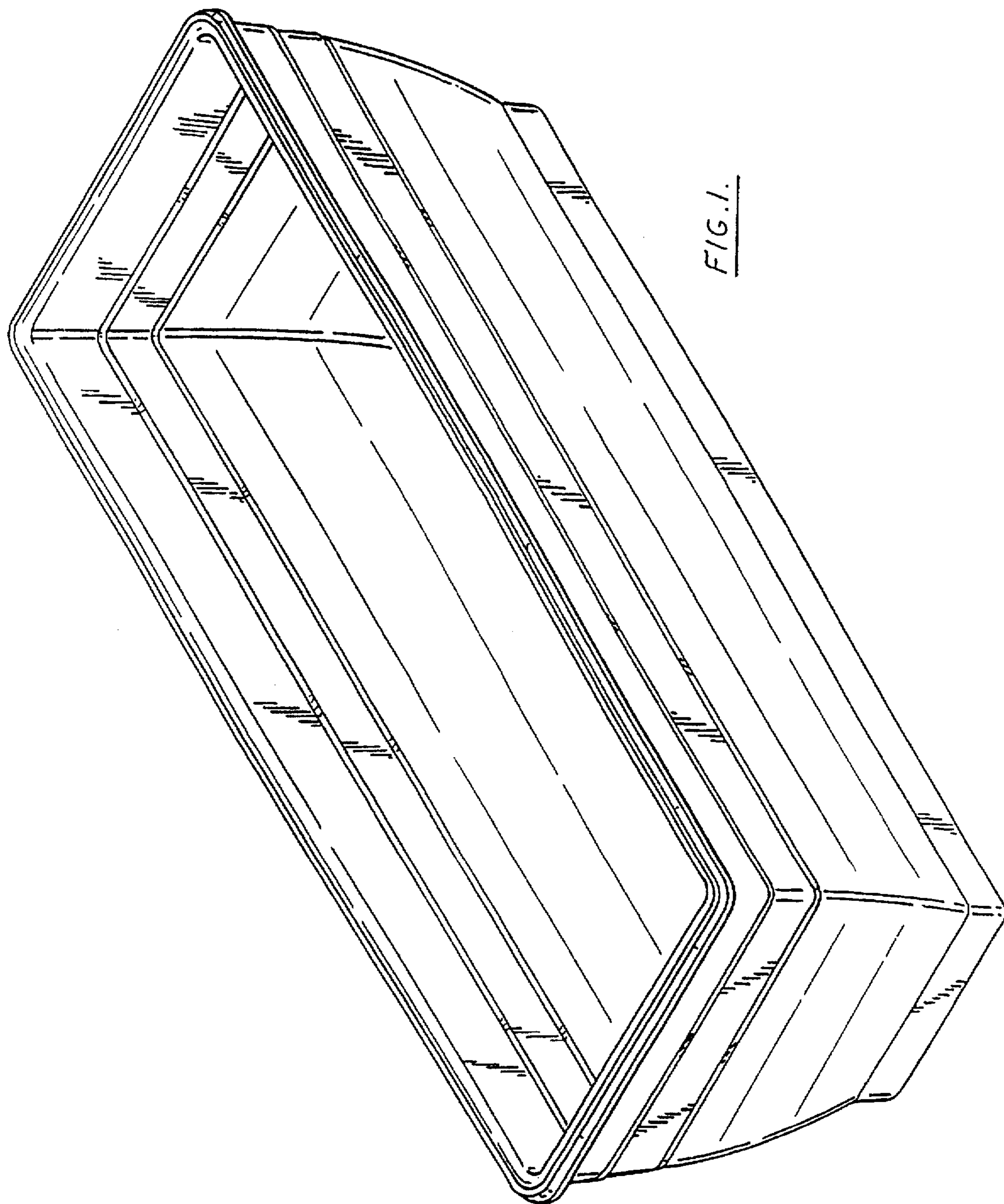
**1 Claim, 5 Drawing Sheets**

### [56] References Cited

#### U.S. PATENT DOCUMENTS

D. 20,335	11/1890	Whilldin .
D. 42,400	4/1912	Simons .
D. 118,230	12/1939	Fader .
D. 137,049	1/1944	Hill .
D. 137,050	1/1944	Hill .
D. 198,040	4/1964	Bonham et al. .
D. 199,336	10/1964	Wanderer .
D. 242,161	11/1976	Dziewulki .
D. 243,390	2/1977	Mastrianni .
D. 245,643	8/1977	Orfei .
D. 252,869	9/1979	Dziewulski .
D. 265,387	7/1982	Nattrass .
D. 266,690	10/1982	Levin .
D. 298,222	10/1988	Hobson .
D. 313,203	12/1990	Carlson .
314,682	3/1885	Kaiser .
D. 319,199	8/1991	Lomeli .
D. 320,763	10/1991	Lomeli .
D. 322,047	12/1991	Wolfenden .
D. 322,946	1/1992	Claridge .





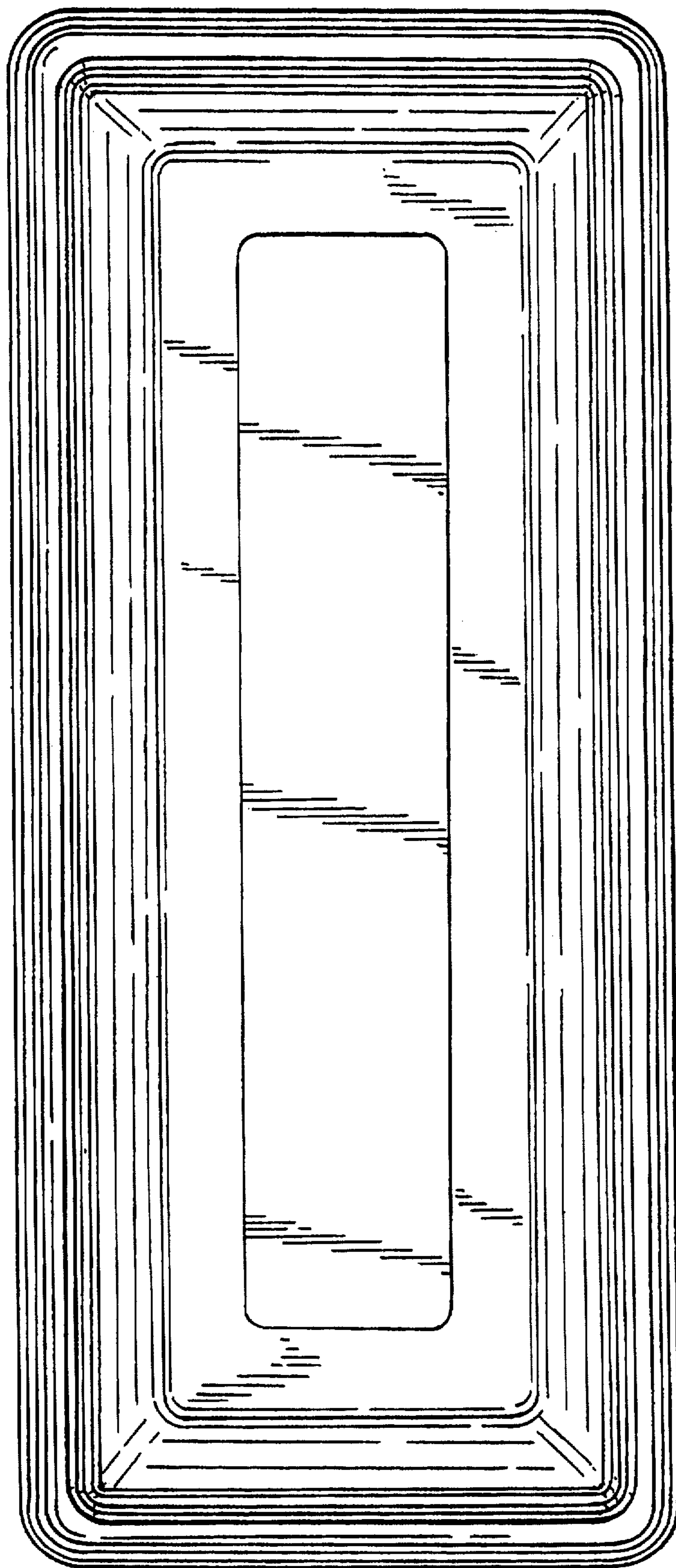


FIG. 2.

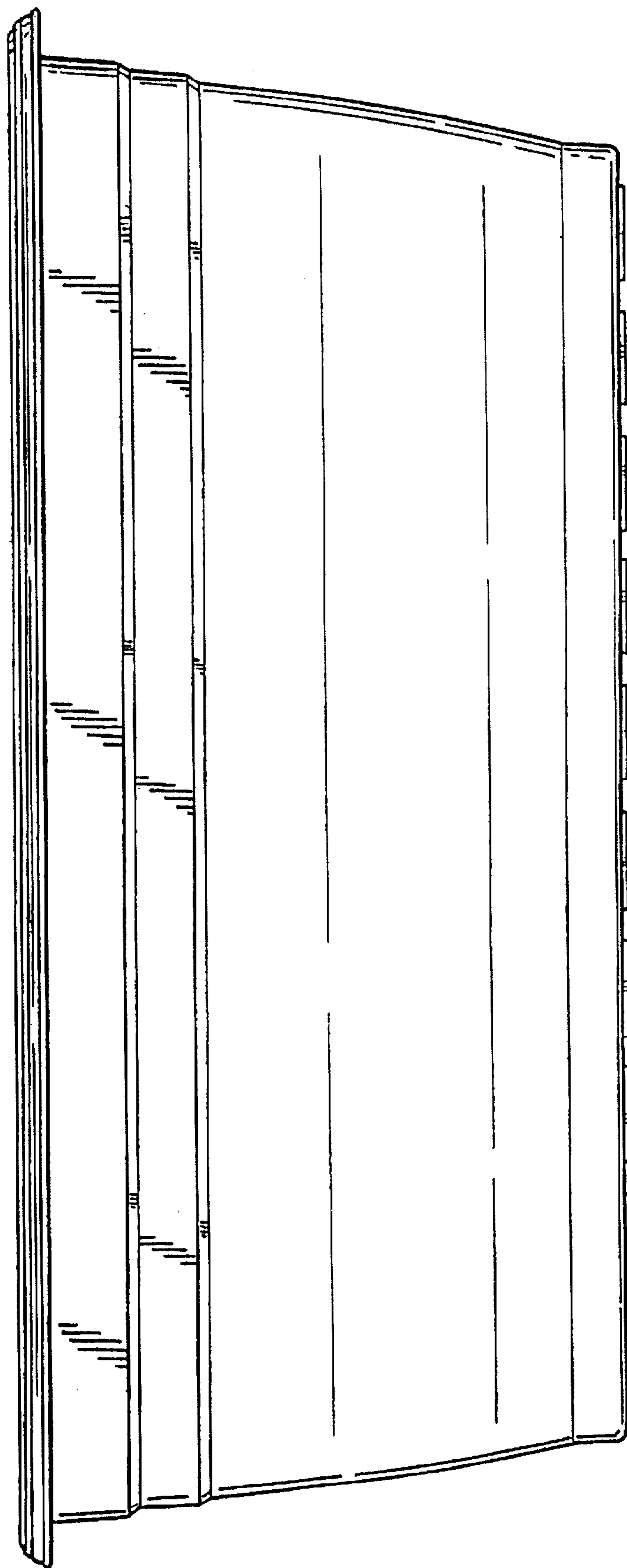


FIG. 3.

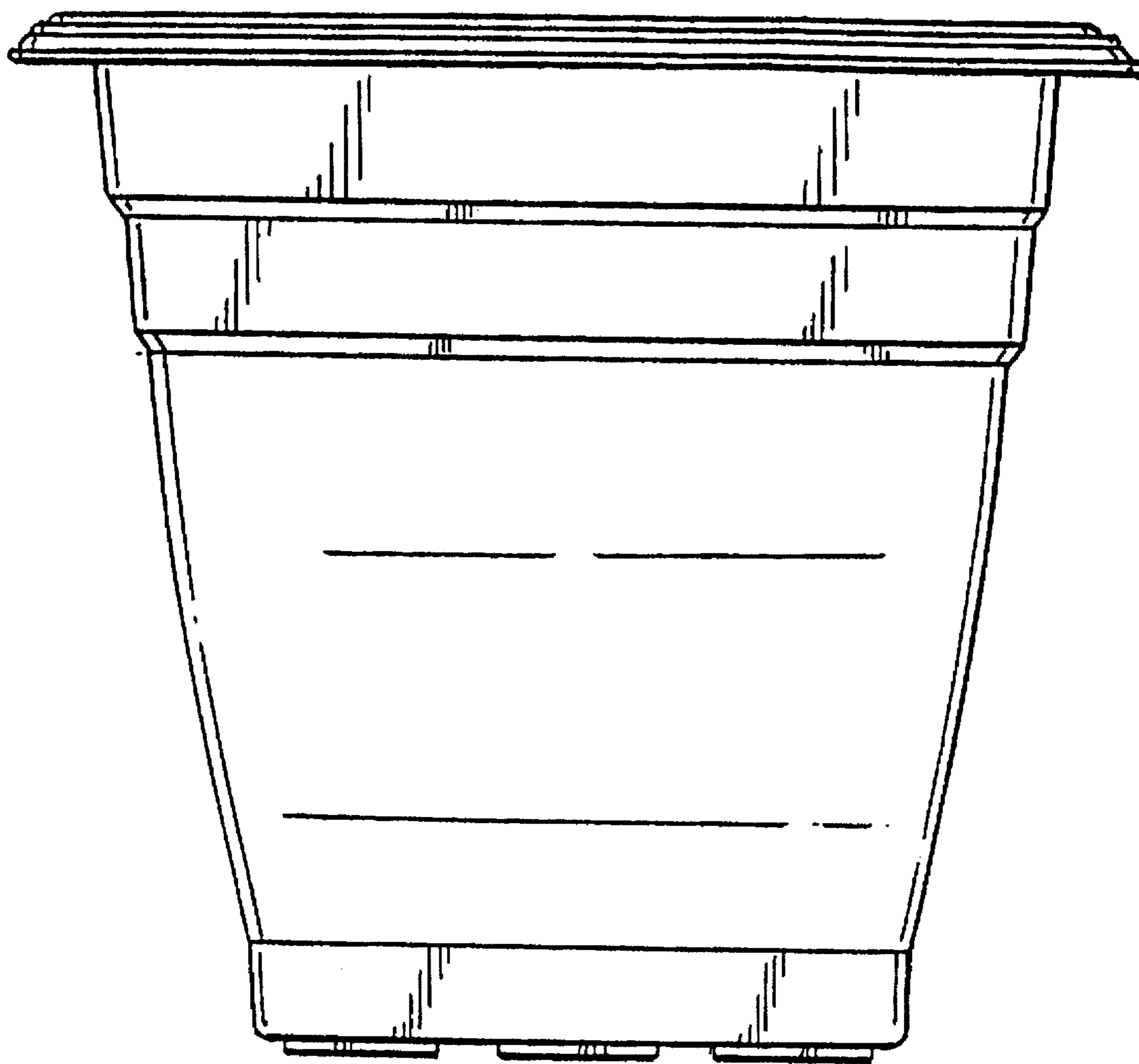


FIG. 4.

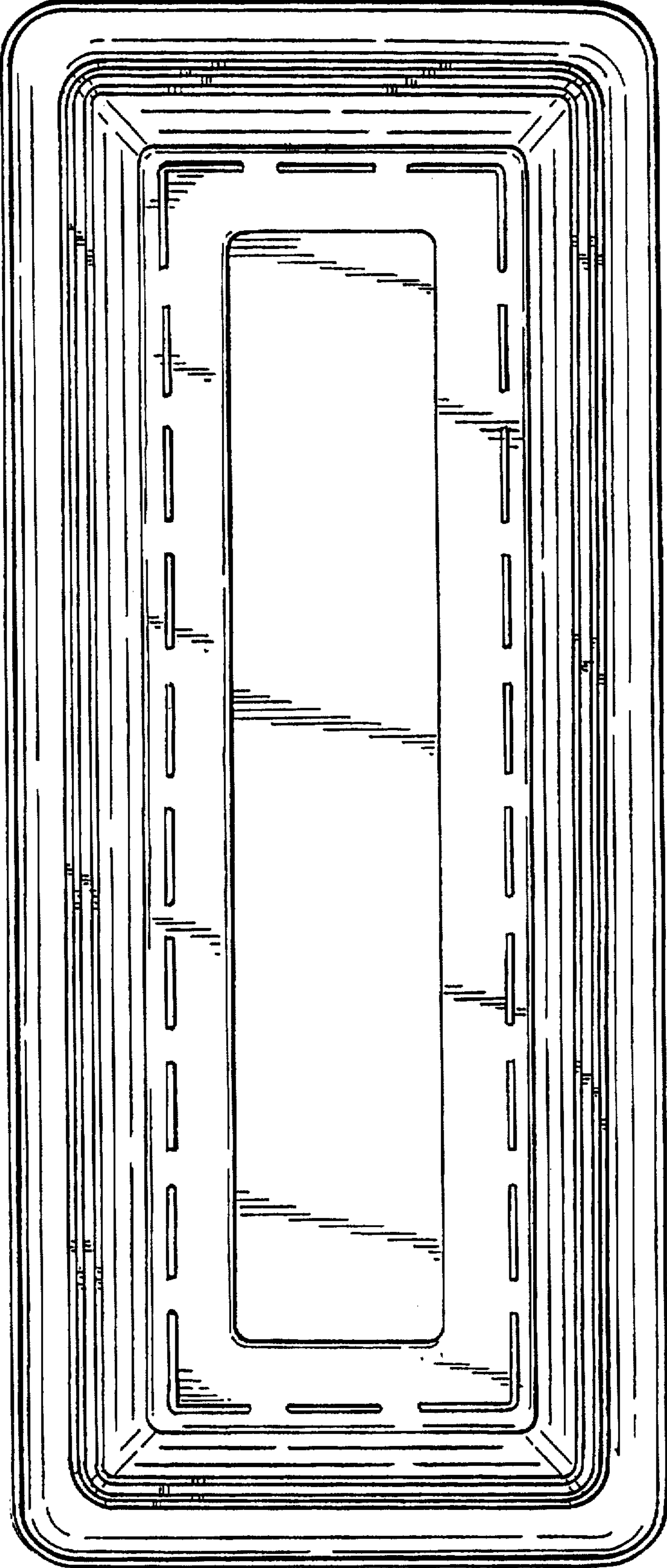


FIG. 5.