



US00D389088S

# United States Patent [19] Murphy

[11] Patent Number: **Des. 389,088**  
[45] Date of Patent: **\*\*Jan. 13, 1998**

[54] **WORKSTATION CONTROLLER FOR A DATA PROCESSING SYSTEM**

[75] Inventor: **Tim Kerry Murphy**, Rochester, Minn.

[73] Assignee: **International Business Machines Corporation**, Armonk, N.Y.

[\*\*] Term: **14 Years**

[21] Appl. No.: **55,961**

[22] Filed: **Jun. 17, 1996**

[51] LOC (6) Cl. .... **14-02**

[52] U.S. Cl. .... **D14/100; D14/109**

[58] Field of Search ..... **D14/100, 102, D14/107-109; D13/162, 184, 199, 110; D6/432, 436, 445, 448; 312/208.1, 223.2, 254, 292; 360/99.01-99.12; 361/690-696**

[56] **References Cited**

**U.S. PATENT DOCUMENTS**

D. 335,489	5/1993	Sander	.....	D14/100
D. 340,031	10/1993	Hill	.....	D13/162
D. 348,257	6/1994	Wingate	.....	D14/114
D. 351,147	10/1994	Hill	.....	D14/109

D. 360,405	7/1995	Hill et al.	.....	D14/100
D. 360,406	7/1995	Hill et al.	.....	D14/100
D. 361,538	8/1995	Hill et al.	.....	D13/110
D. 366,249	1/1996	Hill et al.	.....	D14/100
D. 366,462	1/1996	Hill et al.	.....	D14/100
D. 366,648	1/1996	Hill et al.	.....	D14/100
D. 366,651	1/1996	Hill et al.	.....	D14/107

*Primary Examiner*—Freda Nunn  
*Attorney, Agent, or Firm*—Matthew J. Bussan

[57] **CLAIM**

The ornamental design for a workstation controller for a data processing system, as shown.

**DESCRIPTION**

FIG. 1 is a top, front, right side isometric view of a workstation controller for a data processing system, showing our new design;

FIG. 2 is a front elevational view thereof;

FIG. 3 is a top plan view thereof;

FIG. 4 is a right side elevational view thereof;

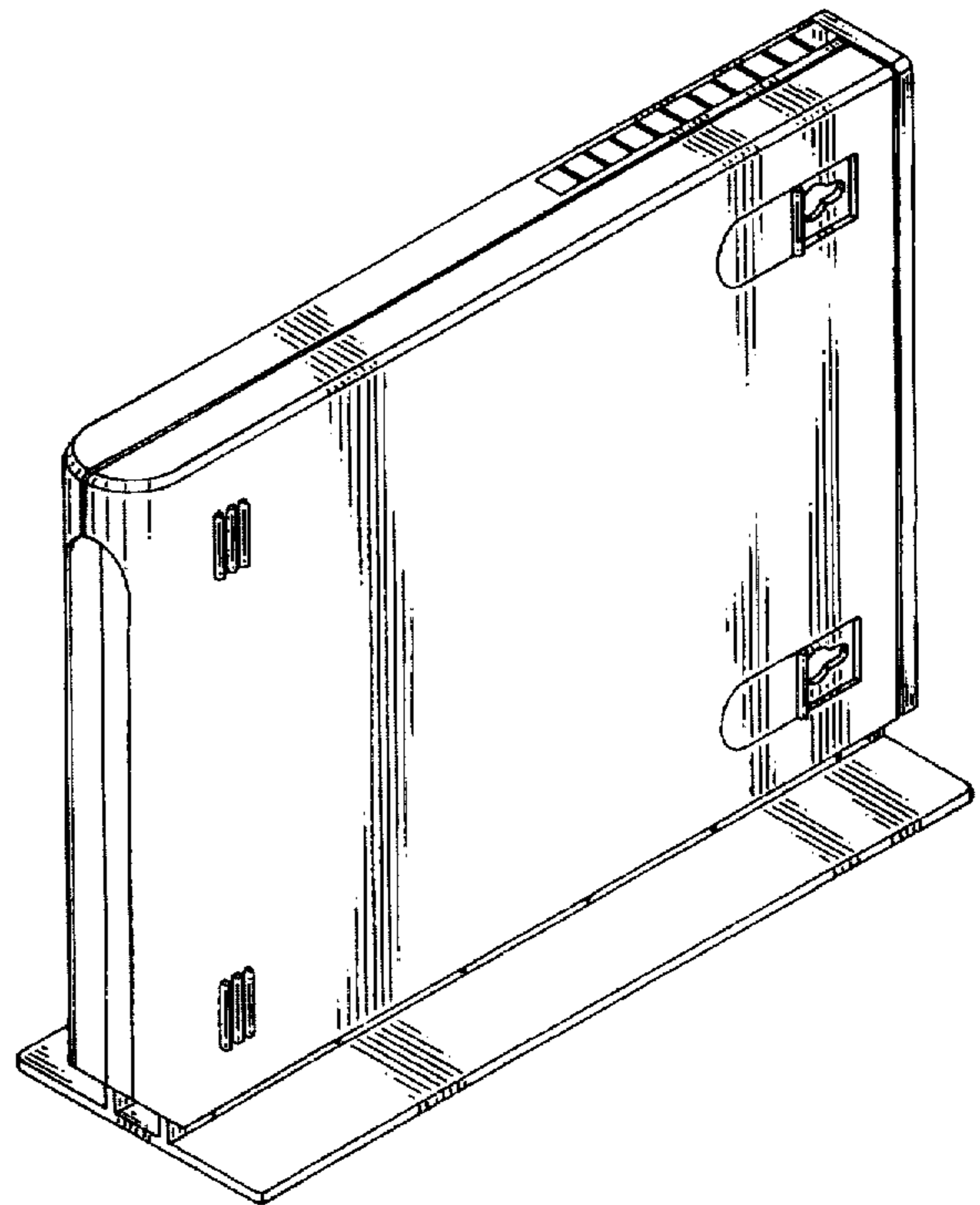
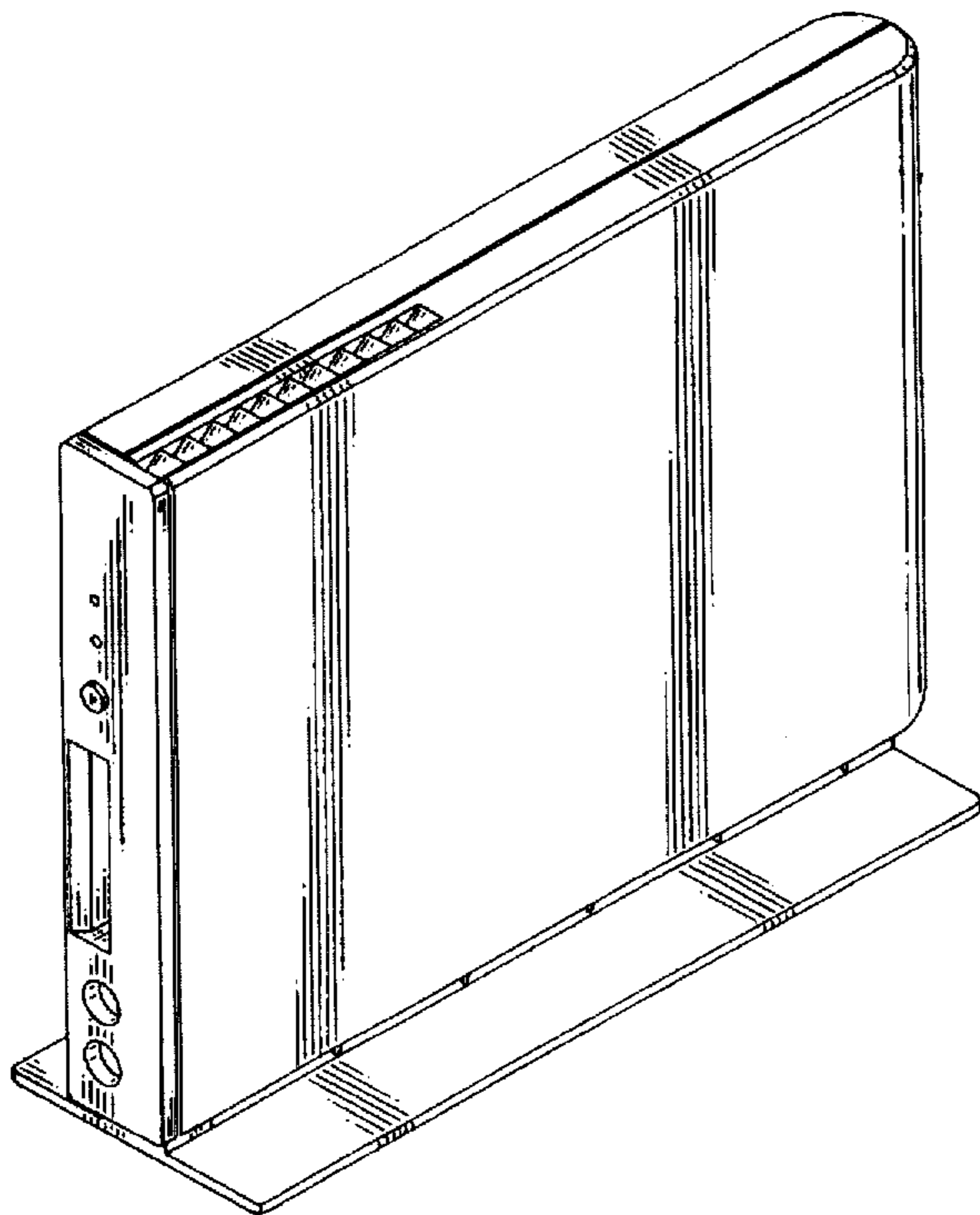
FIG. 5 is a bottom plan view thereof;

FIG. 6 is a rear elevational view thereof;

FIG. 7 is a left side elevational view thereof; and,

FIG. 8 is a top, rear, left side isometric view thereof.

**1 Claim, 8 Drawing Sheets**



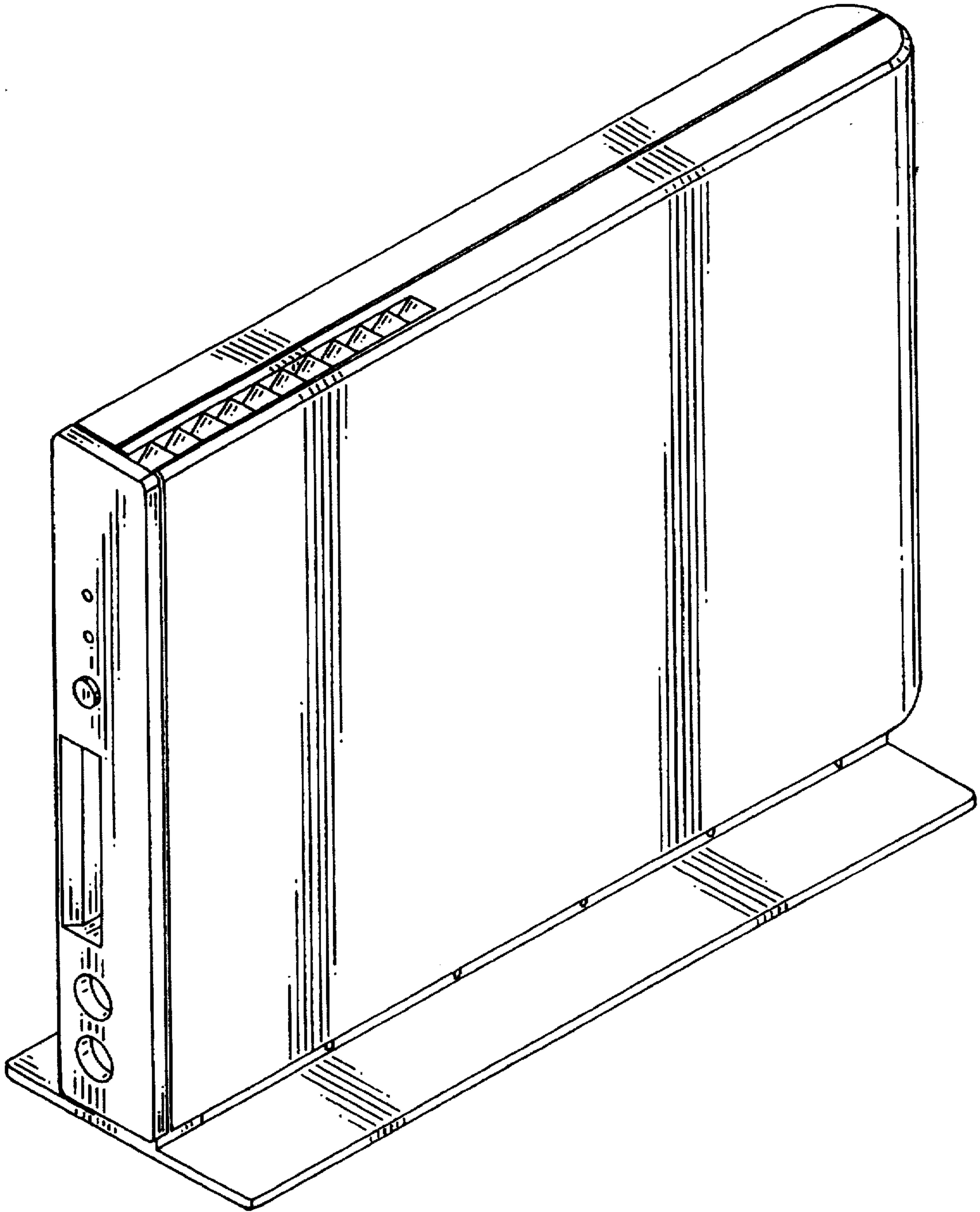


FIG. 1

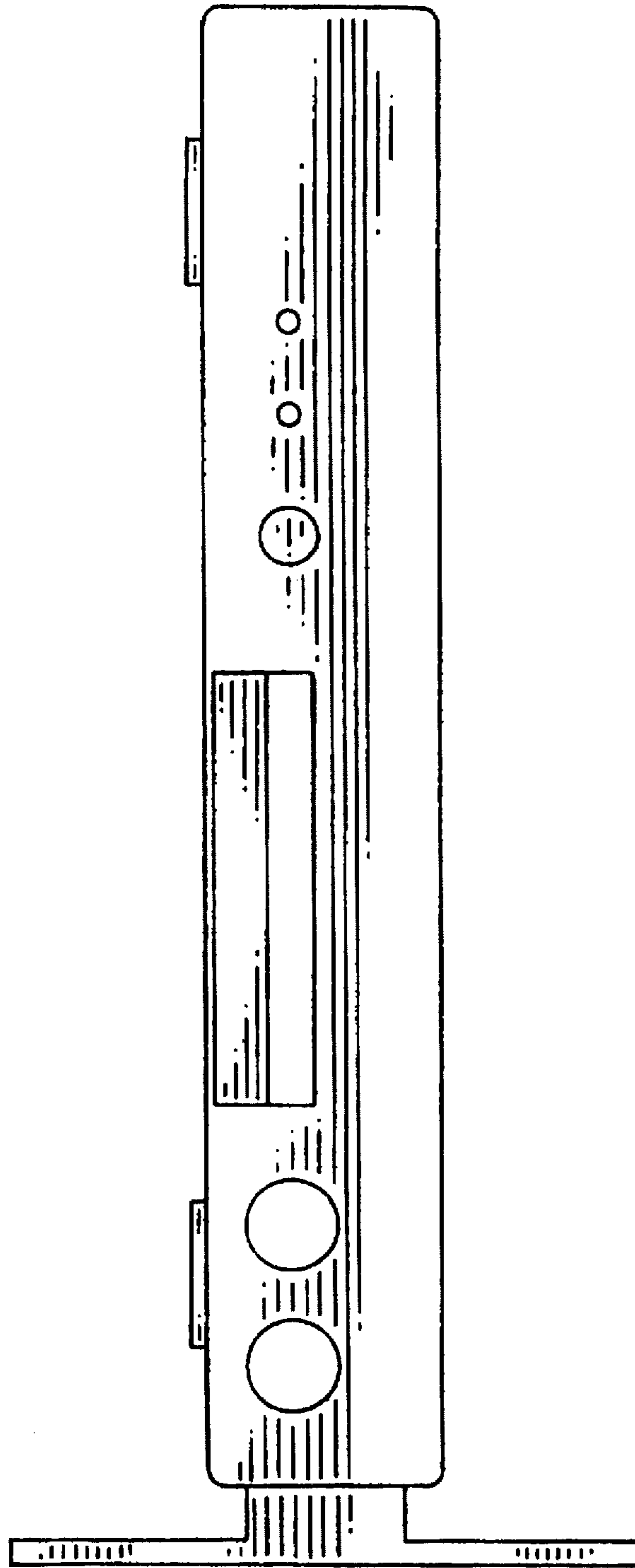


FIG. 2

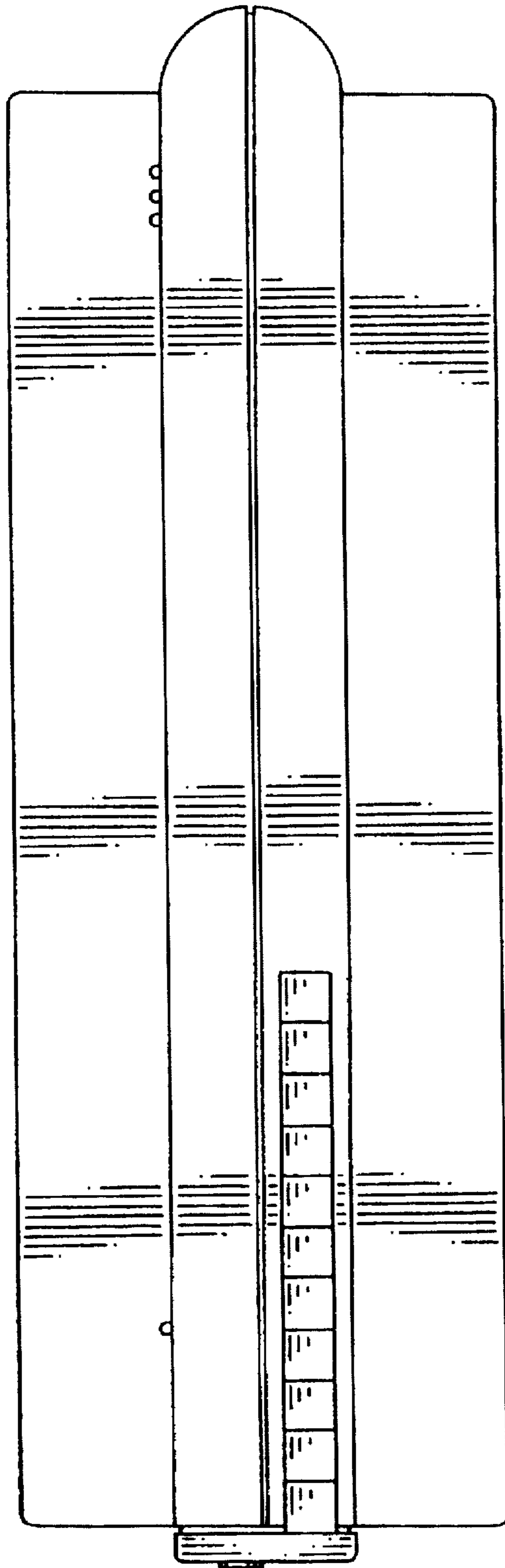
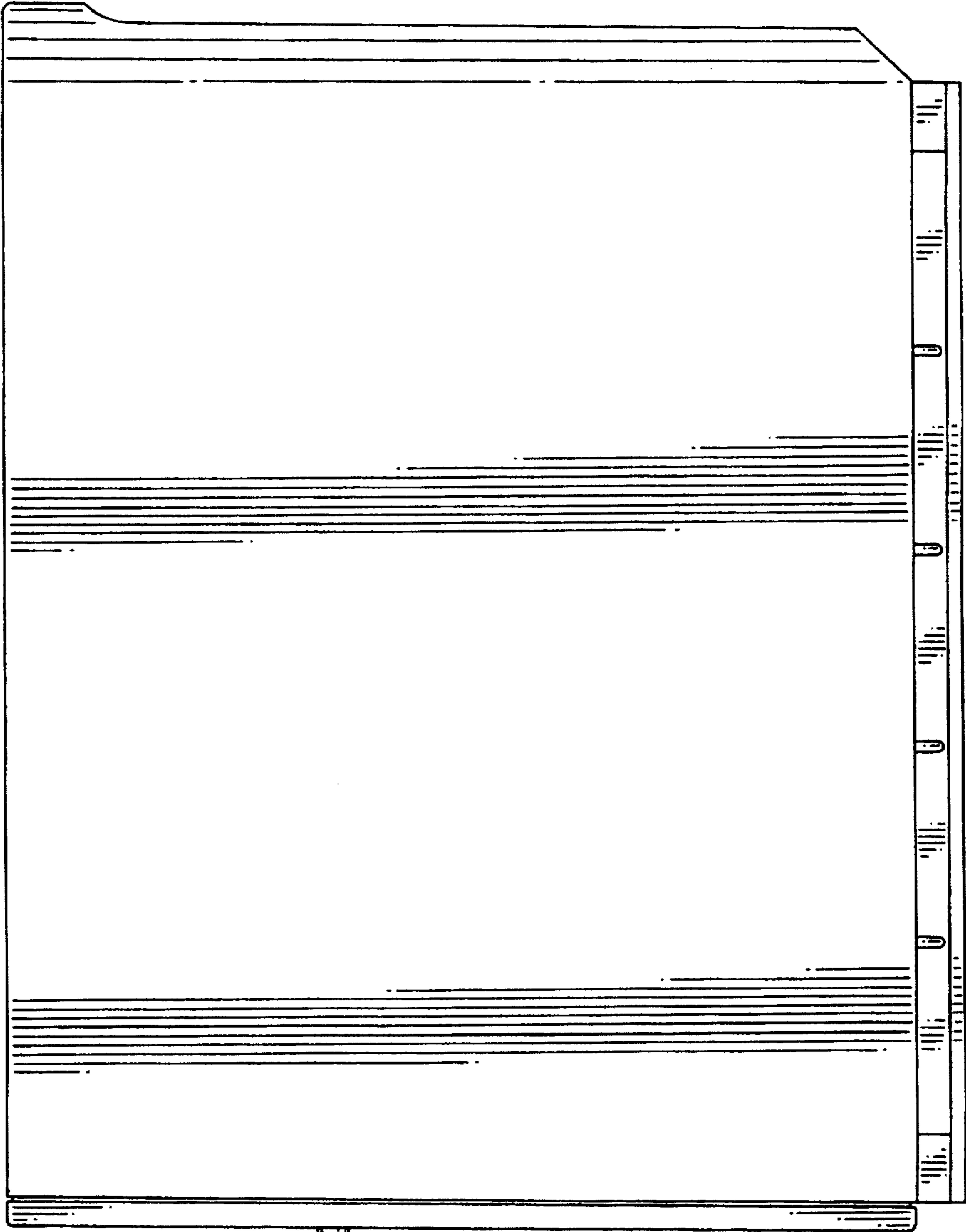


FIG. 3

FIG. 4



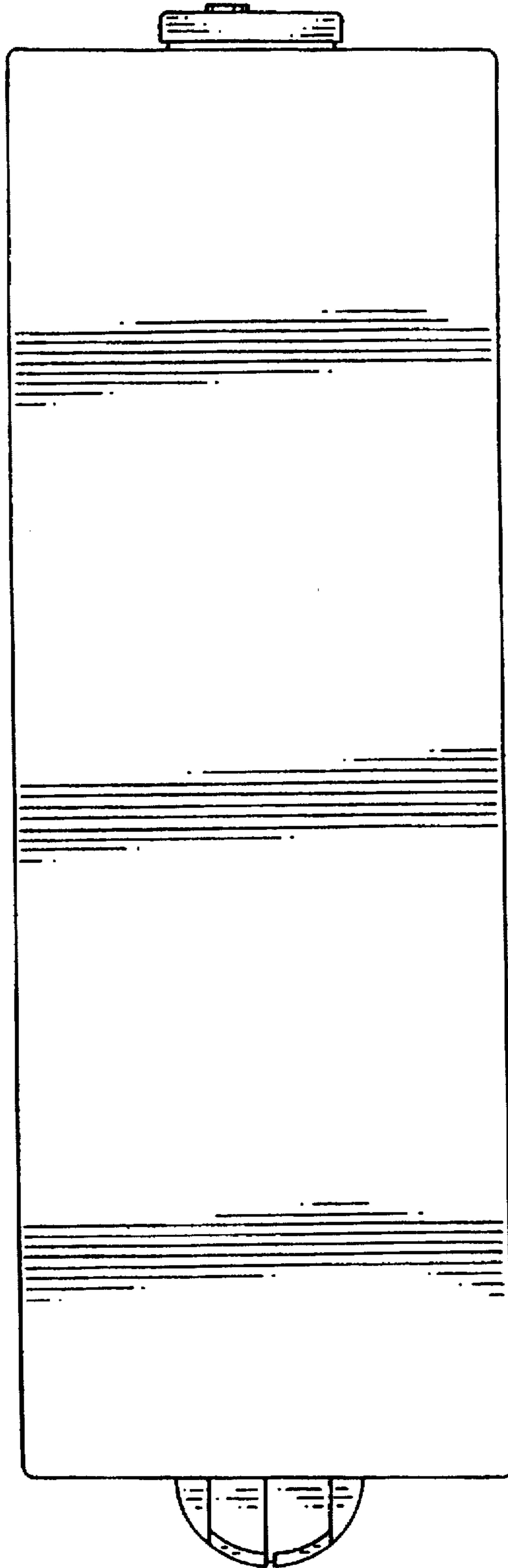


FIG. 5

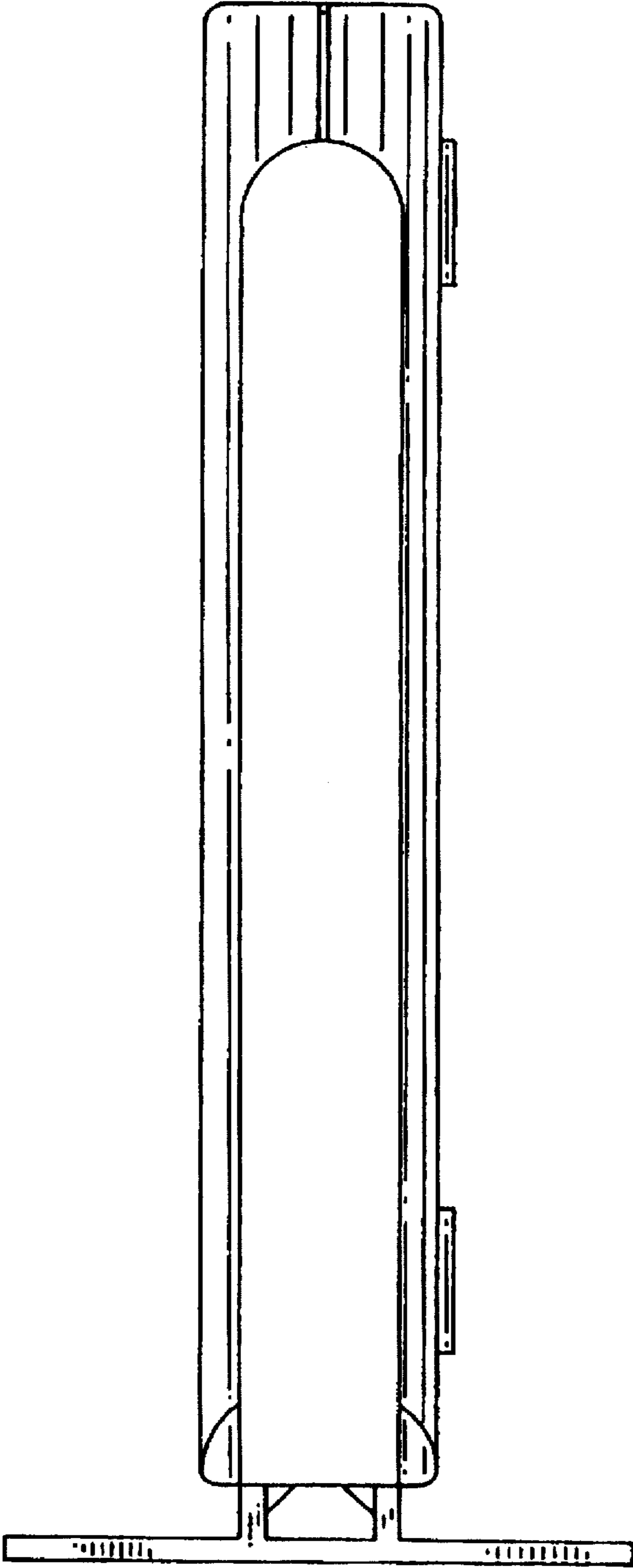
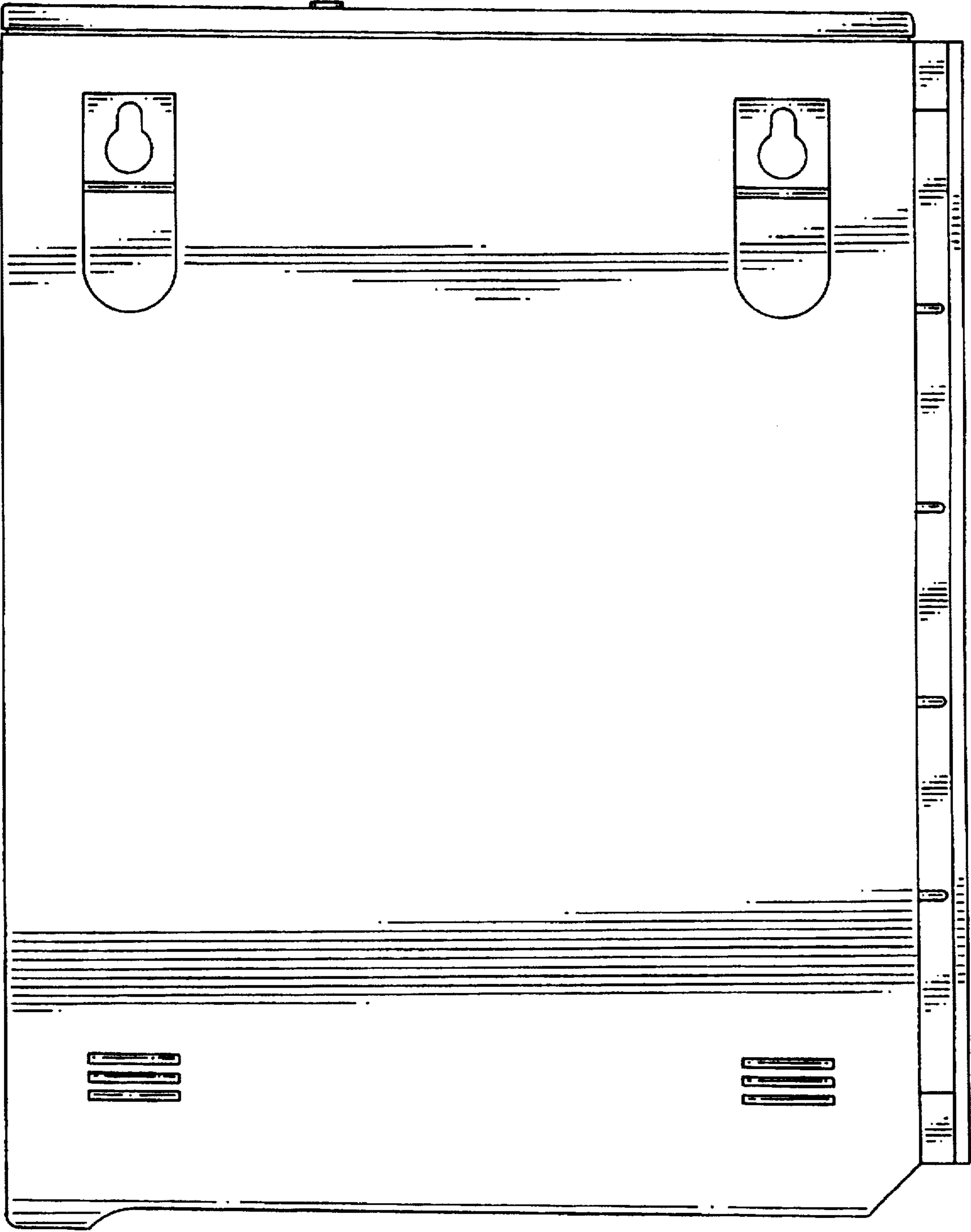


FIG. 6

FIG. 7





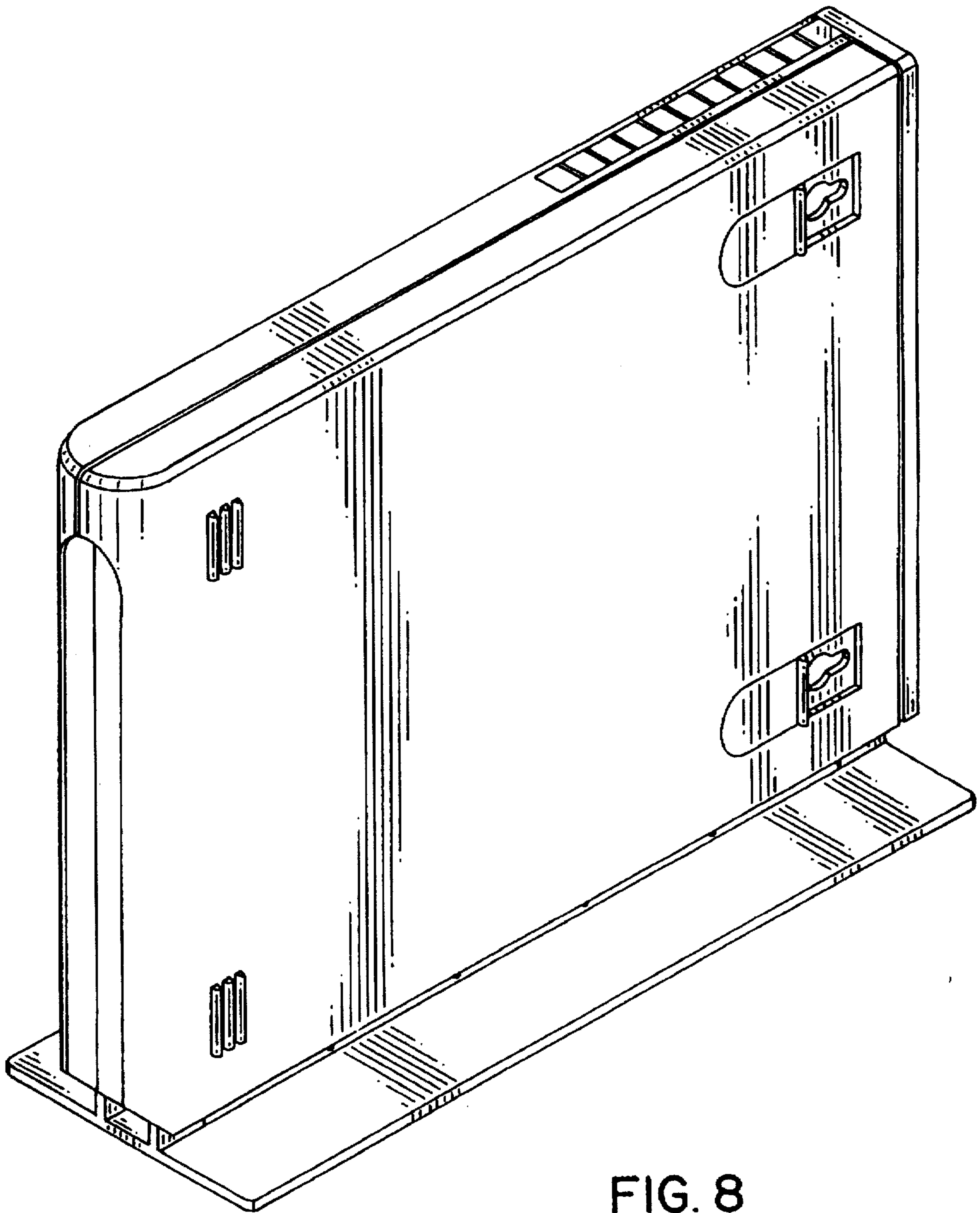


FIG. 8