



US00D389077S

United States Patent [19]
Miranda, Jr.

[11] **Patent Number: Des. 389,077**
[45] **Date of Patent: **Jan. 13, 1998**

[54] **WRIST ALARM**

D. 354,488 1/1995 Hutcheson D10/31
D. 359,700 6/1995 Abrams D10/106

[76] **Inventor: Pablo A. Miranda, Jr., 16 Shady Acres, Danbury, Conn. 06810**

Primary Examiner—Marcus A. Jackson

[**] **Term: 14 Years**

[57] **CLAIM**

The ornamental design for a wrist alarm, as shown and described.

[21] **Appl. No.: 64,216**

[22] **Filed: Dec. 24, 1996**

DESCRIPTION

[51] **LOC (6) Cl. 10-05**

FIG. 1 is a perspective view of the wrist alarm showing my new design;

[52] **U.S. Cl. D10/106**

FIG. 2 is a front elevational view thereof;

[58] **Field of Search D10/104, 106,**

FIG. 3 is a rear elevational view thereof;

D10/116, 121, 30-39; 340/571, 572, 573, 574, 693

FIG. 4 is a right side elevational view thereof;

FIG. 5 is a left side elevational view thereof;

FIG. 6 is a top plan view thereof; and,

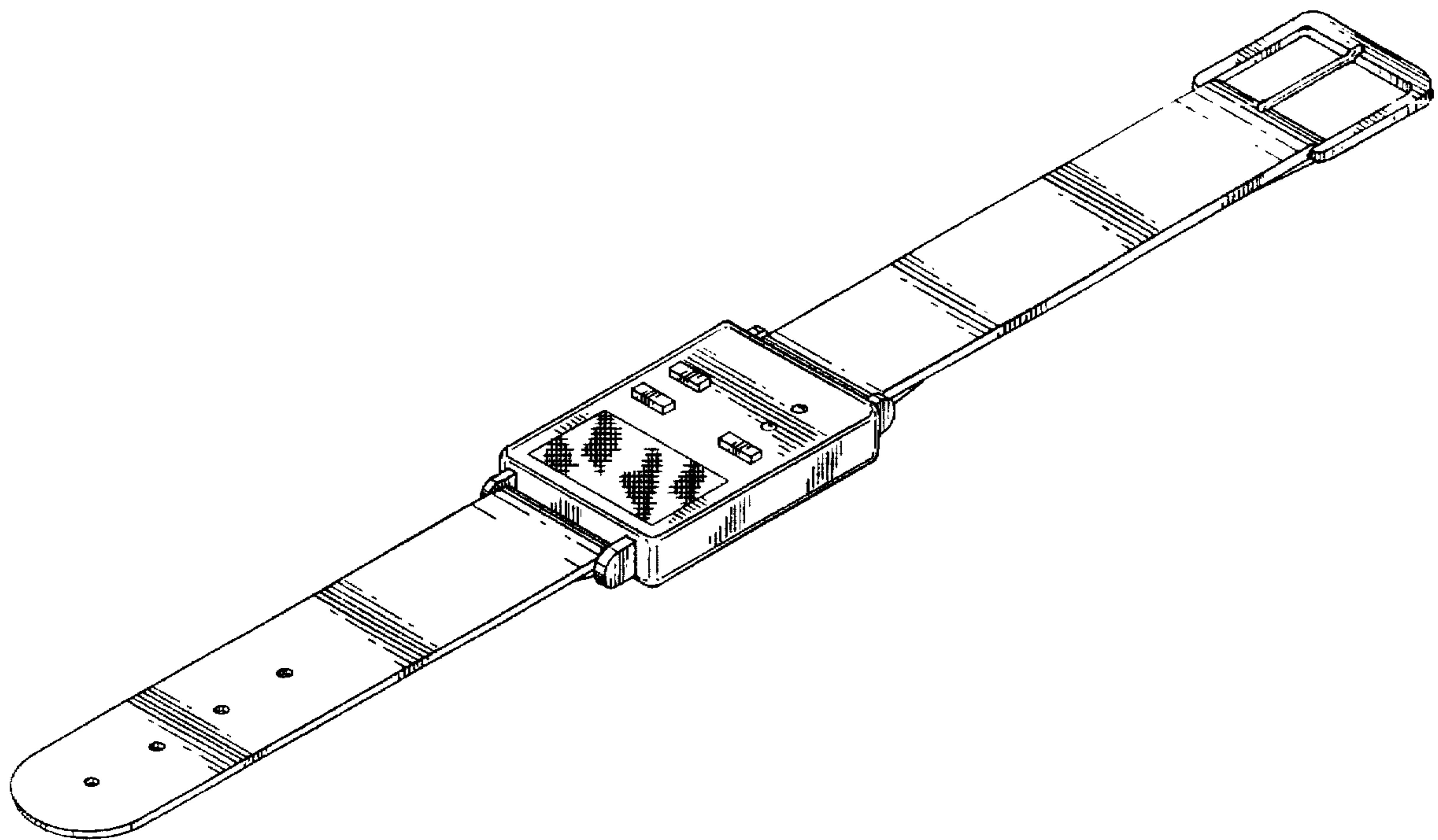
FIG. 7 is a bottom plan view thereof.

[56] **References Cited**

U.S. PATENT DOCUMENTS

D. 337,067 7/1993 Patterson D10/106

1 Claim, 2 Drawing Sheets



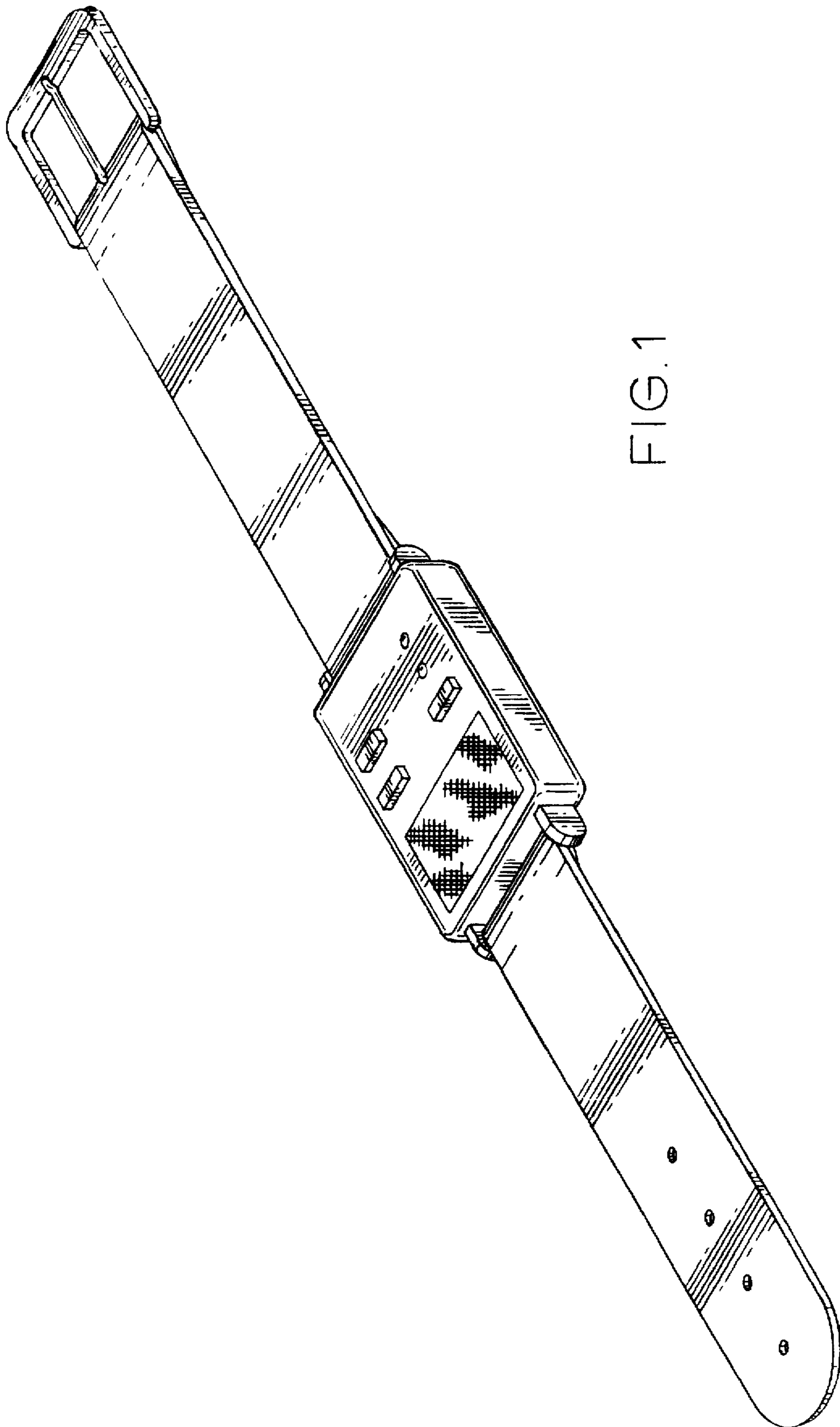


FIG. 1

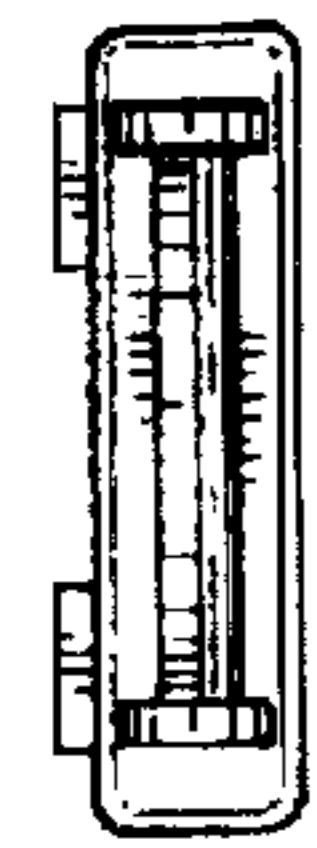


FIG. 2



FIG. 3



FIG. 4



FIG. 5

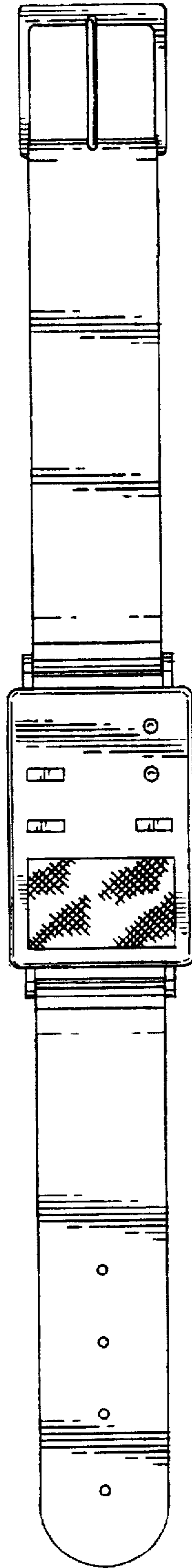


FIG. 6

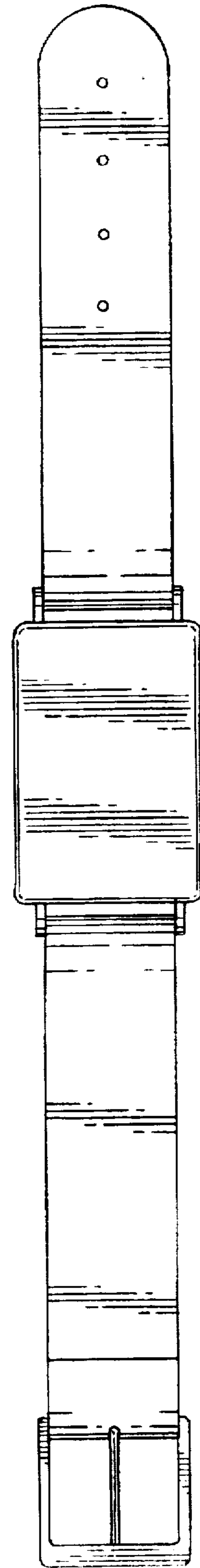


FIG. 7