



US00D389073S

# United States Patent [19]

Schmidt et al.

[11] Patent Number: **Des. 389,073**

[45] Date of Patent: **\*\*Jan. 13, 1998**

[54] **CORDLESS OUTDOOR TIMER**  
[75] Inventors: **James N. Schmidt, Whitby; Howard M. Abraham, North York, both of Canada**

[73] Assignee: **Noma Inc., Scaeborough, Canada**

[\*\*] Term: **14 Years**

[21] Appl. No.: **58,821**

[22] Filed: **Aug. 23, 1996**

[51] LOC (6) Cl. .... **10-03**

[52] U.S. Cl. .... **D10/40**

[58] Field of Search ..... D10/1-40, 122-132;  
D13/142; 368/97-100, 107-121, 276-277,  
285, 316, 317; 307/141, 141.4

[56] **References Cited**

**U.S. PATENT DOCUMENTS**

D. 234,215 1/1975 Felske ..... D10/40

D. 241,524 9/1976 Haggstrom ..... D10/40  
D. 280,894 10/1985 Dickey ..... D13/142 X  
D. 310,063 8/1990 Cheng ..... D13/142  
D. 315,893 4/1991 Cheng ..... D13/142 X  
D. 352,477 11/1994 Chen ..... D10/40

*Primary Examiner*—Nelson C. Holtje  
*Attorney, Agent, or Firm*—Kenneth M. Garrett

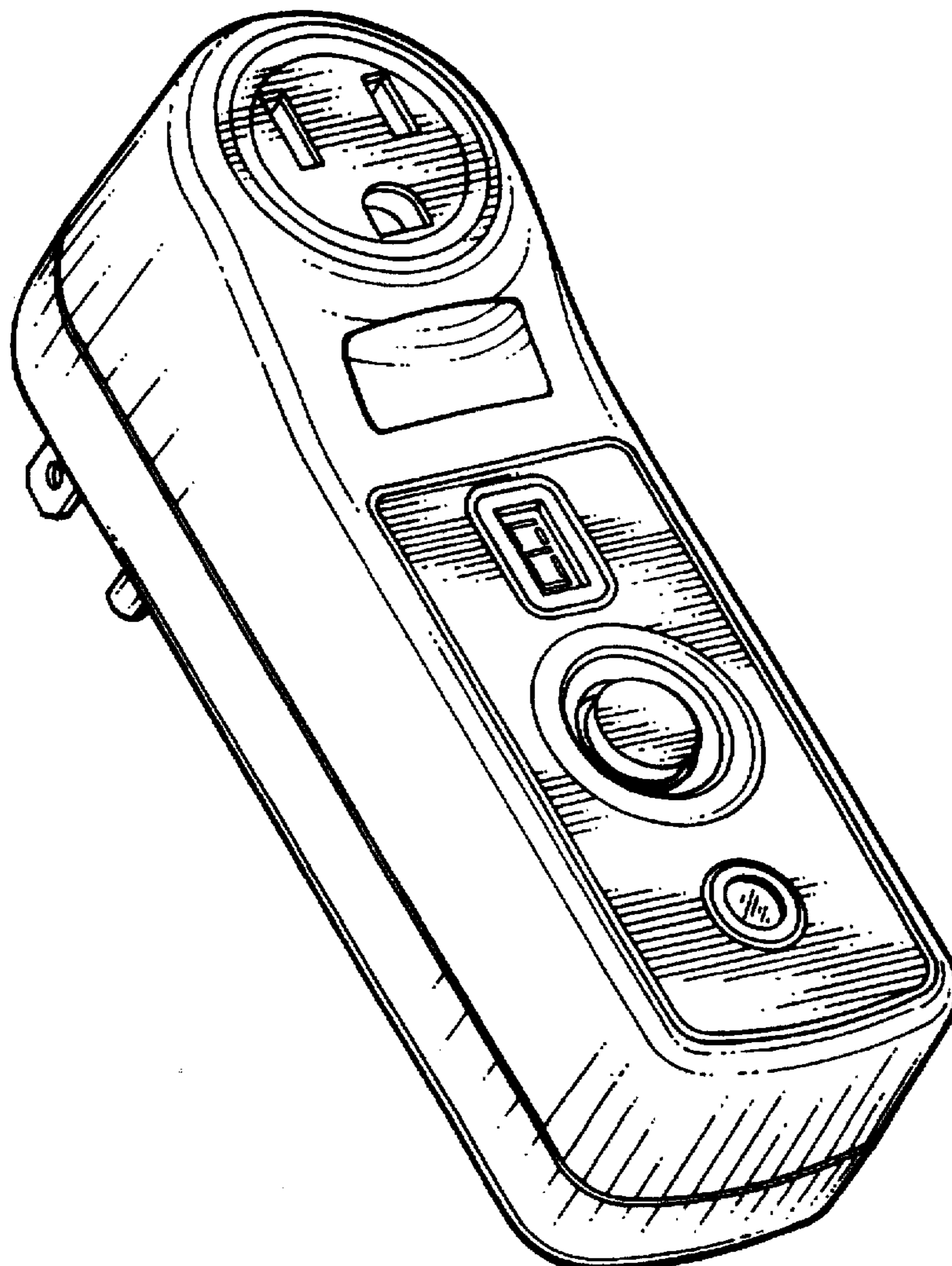
[57] **CLAIM**

The ornamental design for cordless outdoor timer, as shown and described.

**DESCRIPTION**

FIG. 1 is a top, left, rear perspective view of a cordless outdoor timer showing our new design;  
FIG. 2 is a top plan view thereof;  
FIG. 3 is a bottom plan view thereof;  
FIG. 4 is a left side elevation thereof, the right side elevation being the mirror image thereof;  
FIG. 5 is a front end elevation thereof; and,  
FIG. 6 is a rear end elevation thereof.

**1 Claim, 2 Drawing Sheets**



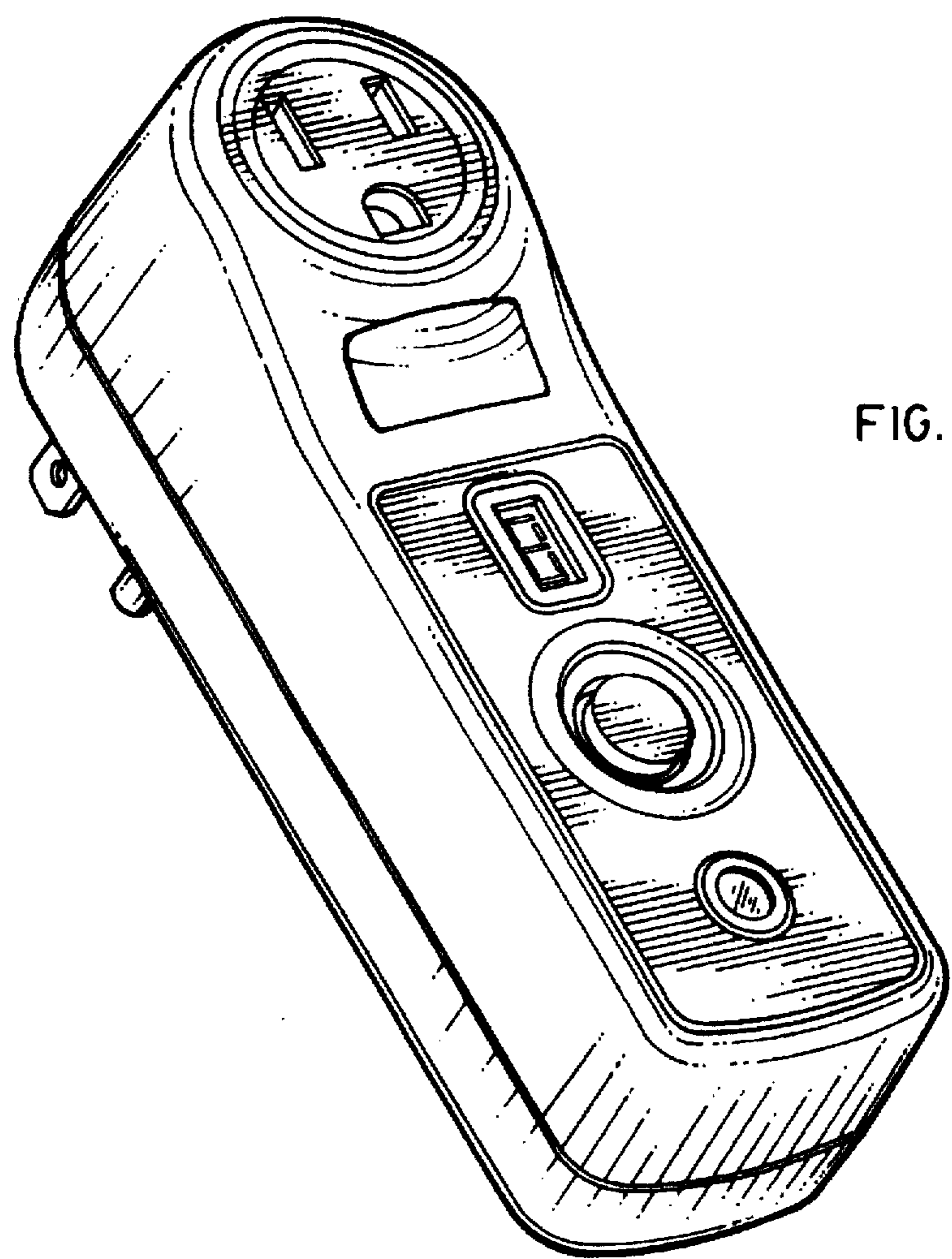


FIG. 1

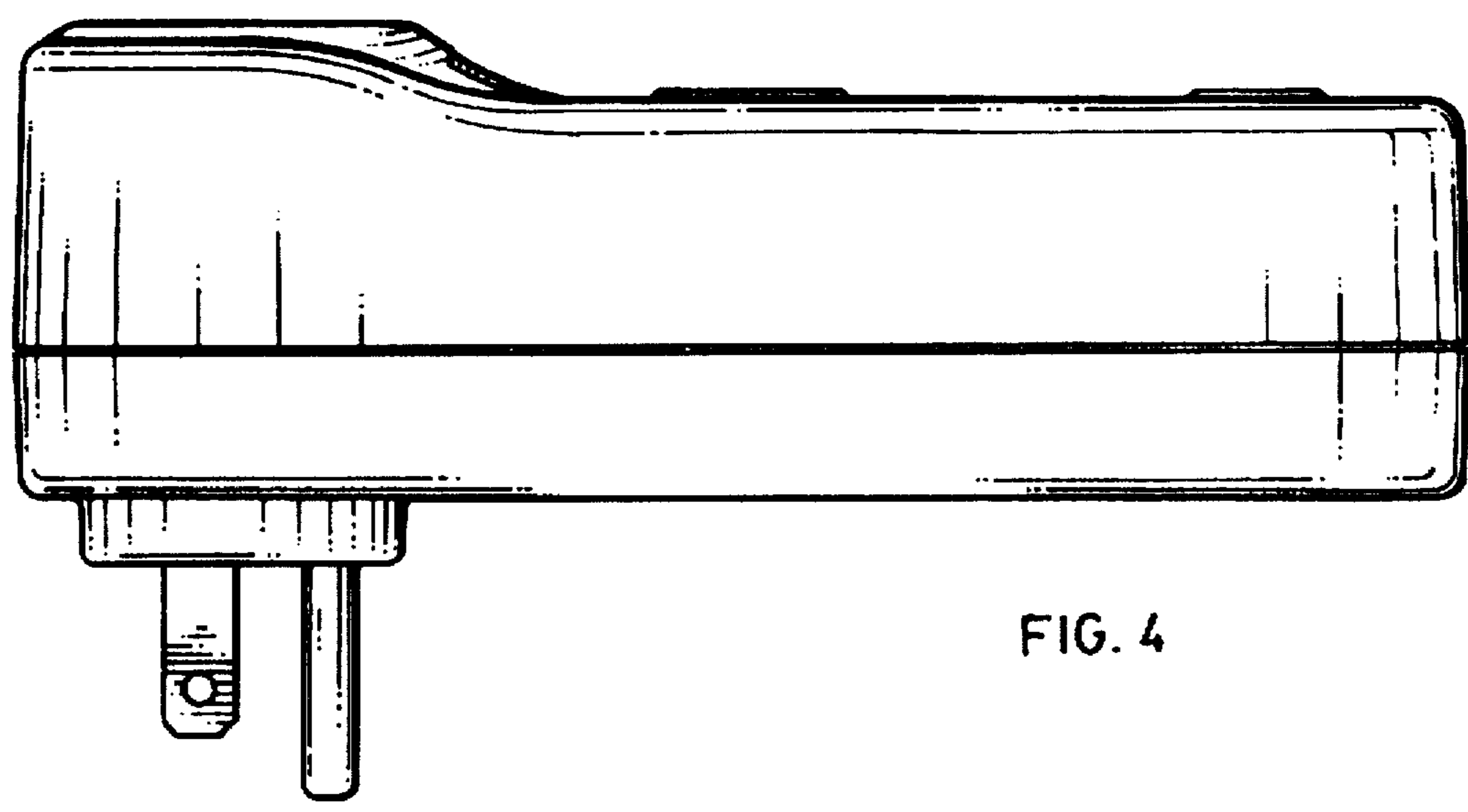


FIG. 4

FIG. 2

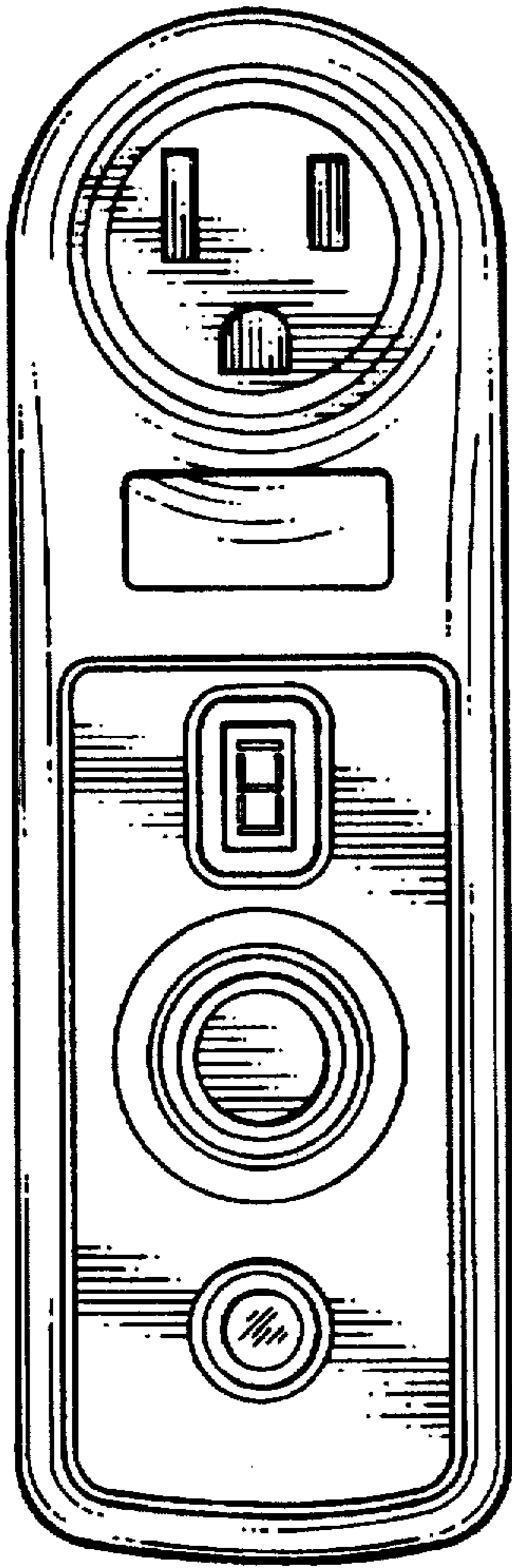


FIG. 3

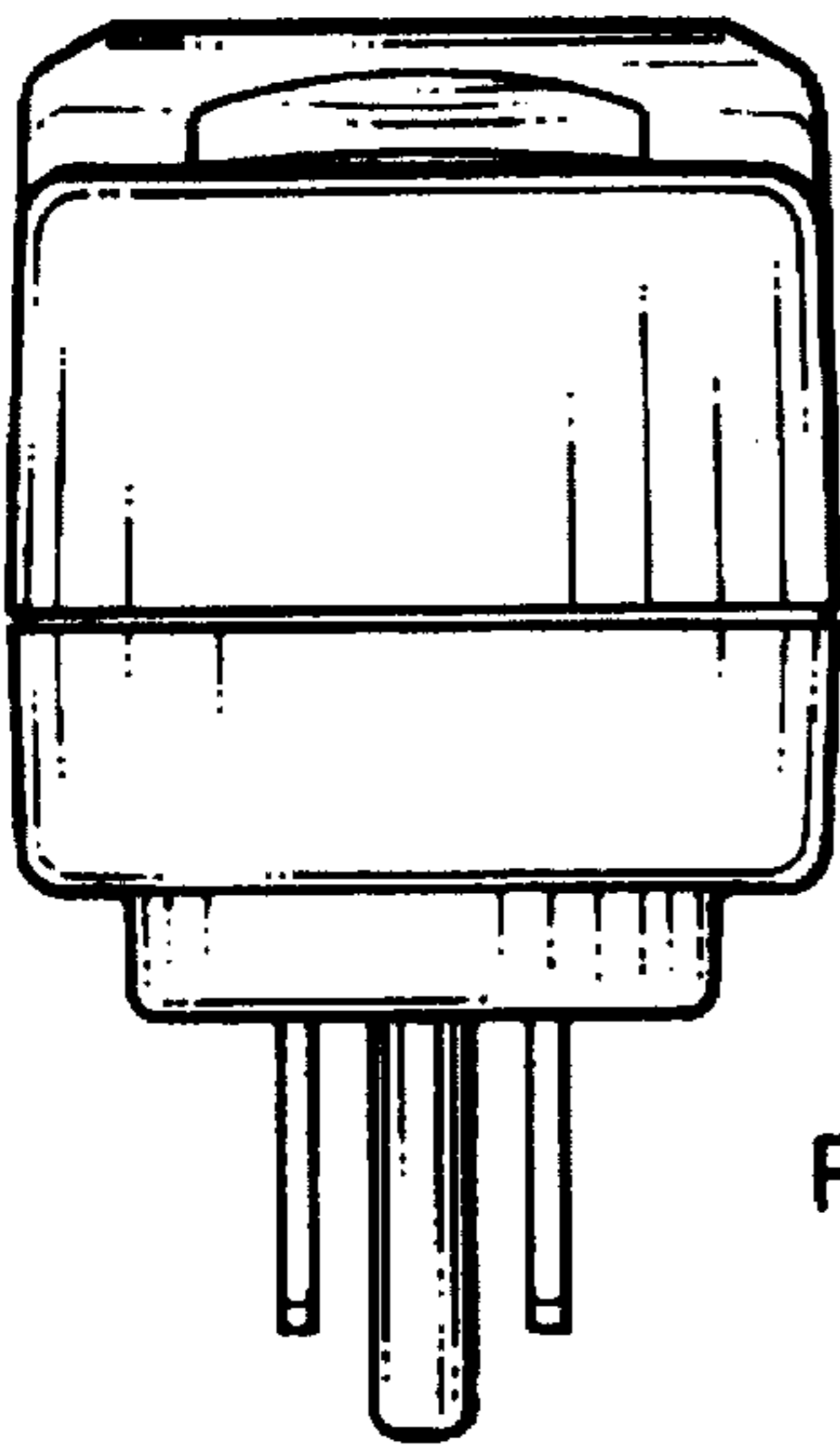
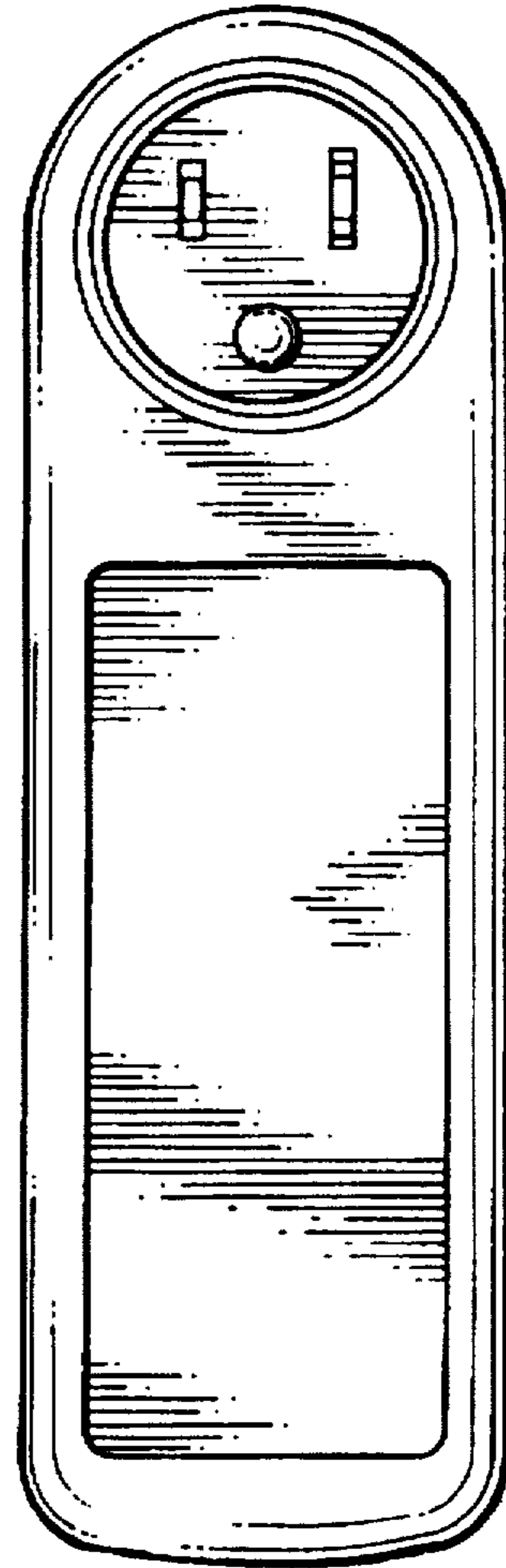


FIG. 6

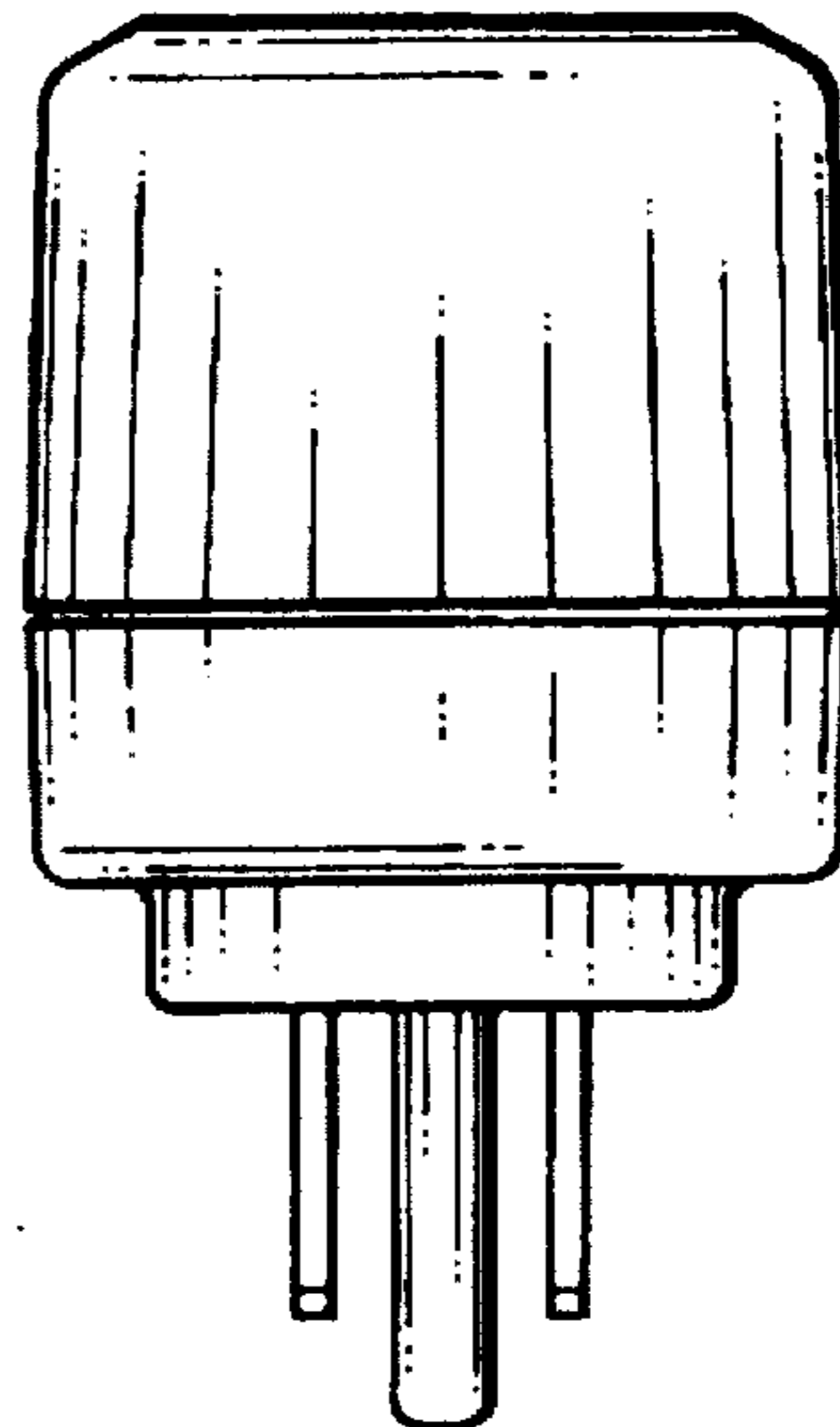


FIG. 5