



US00D389054S

United States Patent [19]

Teags

[11] Patent Number: **Des. 389,054**

[45] Date of Patent: ****Jan. 13, 1998**

[54] ASPARAGUS CONTAINER

[75] Inventor: **William G. Teags**, Cave Creek, Ariz.

[73] Assignee: **Advanced Package Engineering, Inc.**, Phoenix, Ariz.

[**] Term: **14 Years**

[21] Appl. No.: **63,544**

[22] Filed: **Dec. 10, 1996**

[51] LOC (6) Cl. **09-07**

[52] U.S. Cl. **D9/432; D9/431**

[58] Field of Search **D9/341, 414, 418, D9/424, 430-433; 206/45.3, 508; 229/108, 112-114, 120, 120.1, 125.32, 162**

[56] References Cited

U.S. PATENT DOCUMENTS

D. 229,485	12/1973	Petersen	D9/433	X
D. 356,253	3/1995	Bacchetti et al.	D9/431	X
3,863,829	2/1975	Merrill	229/112	X
4,105,152	8/1978	Elward	229/112	X
4,127,228	11/1978	Hall	229/120	X
5,163,609	11/1992	Muise, Jr.	229/113	
5,462,220	10/1995	Bacchetti et al.	229/112	

FOREIGN PATENT DOCUMENTS

1706933 1/1992 U.S.S.R. 229/120

Primary Examiner—Sandra L. Morris

Assistant Examiner—Nanda Bondade

Attorney, Agent, or Firm—Cahill, Sutton & Thomas P.L.C.

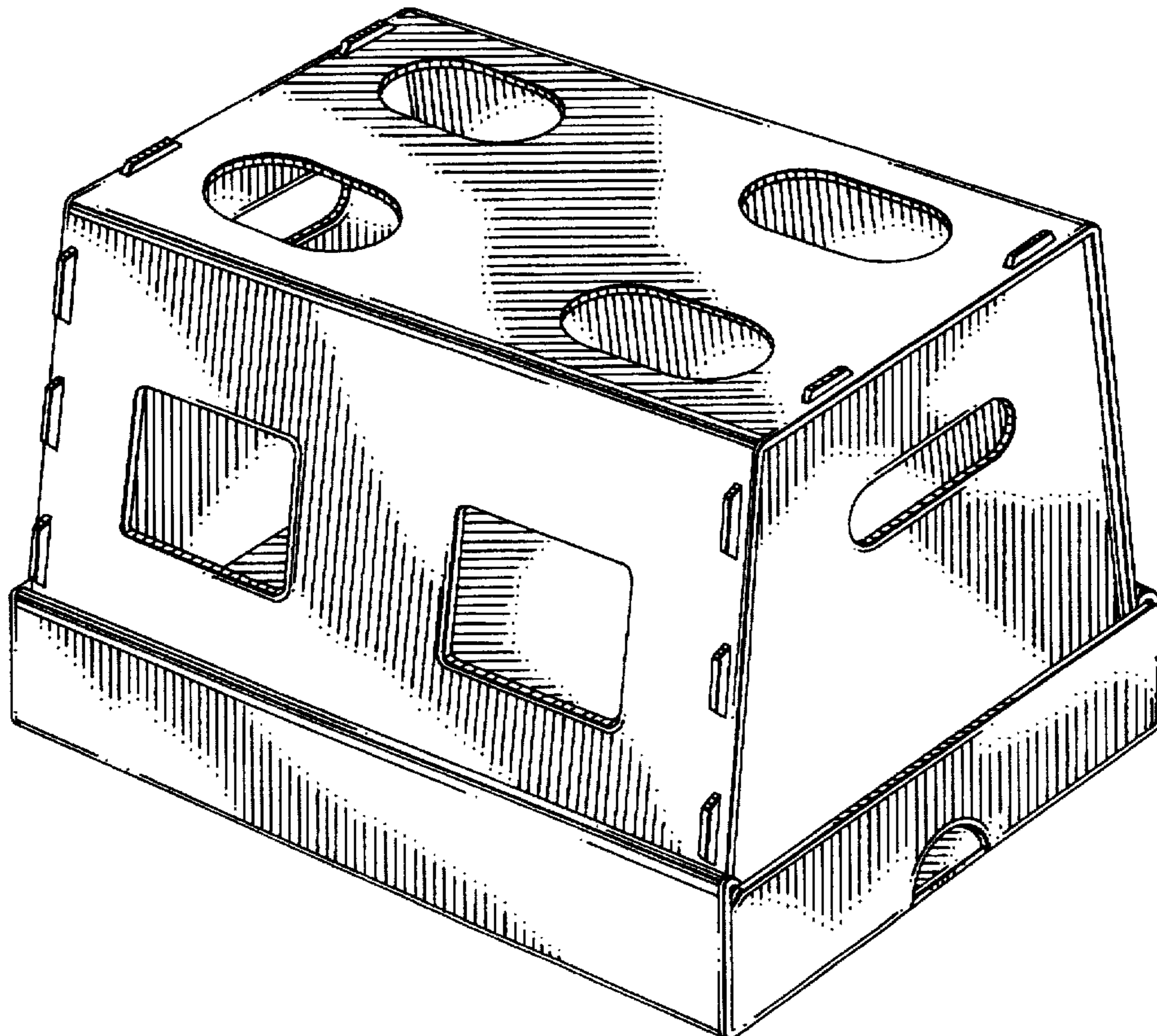
[57] CLAIM

The ornamental design for an asparagus container, as shown and described.

DESCRIPTION

FIG. 1 is a right front perspective view of an asparagus container showing my new design; FIG. 2 is a bottom plan view thereof; FIG. 3 is a right end elevational view; the left end elevational view being a mirror image thereof; FIG. 4 is a top plan view thereof; and, FIG. 5 is a left side elevational view; the right side elevational view being a mirror image thereof. FIGS. 2 and 3 are of the same scale but of a lesser scale than FIG. 1 for the purpose of enhancing the detail illustratable in FIG. 1.

1 Claim, 2 Drawing Sheets



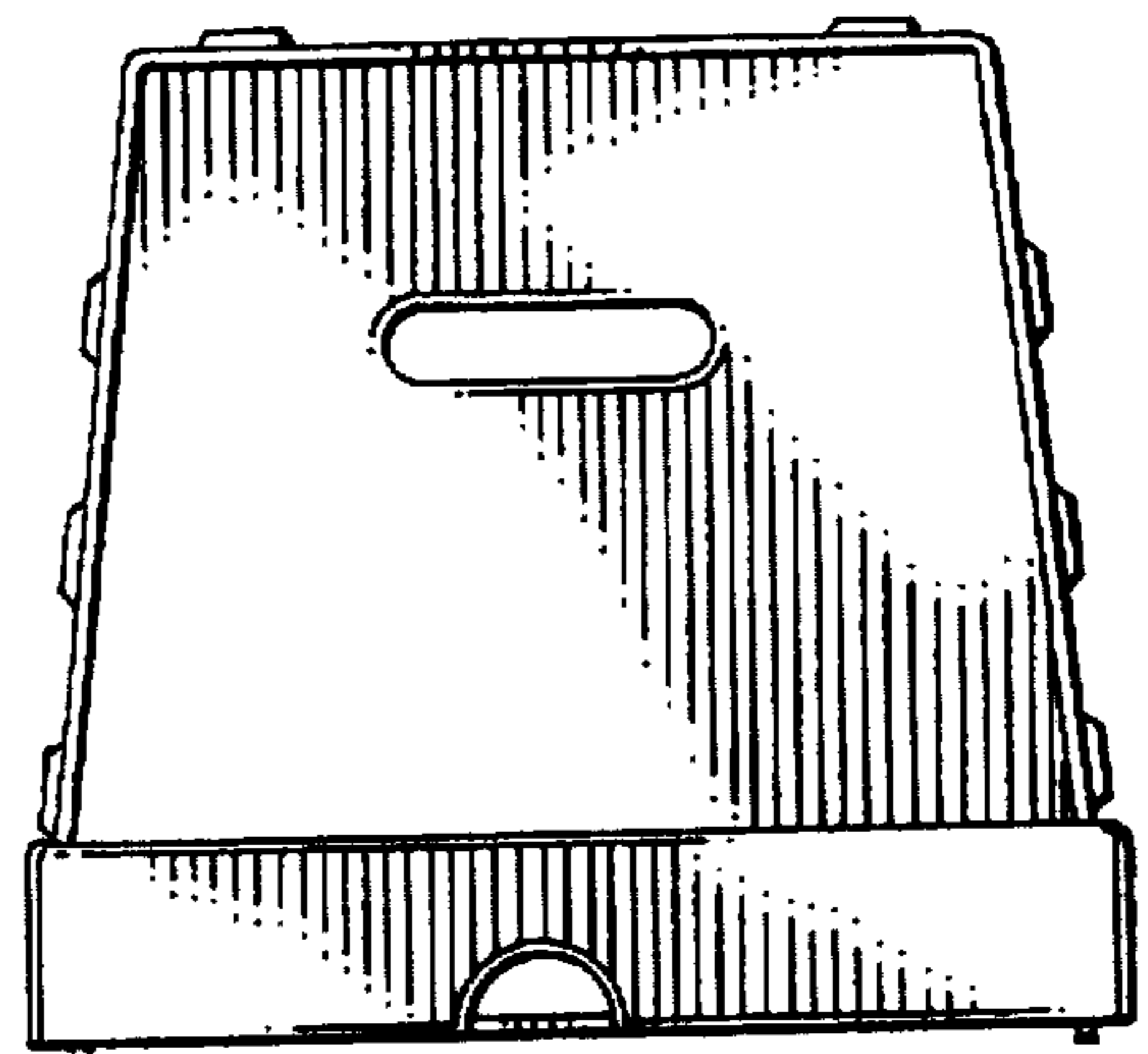
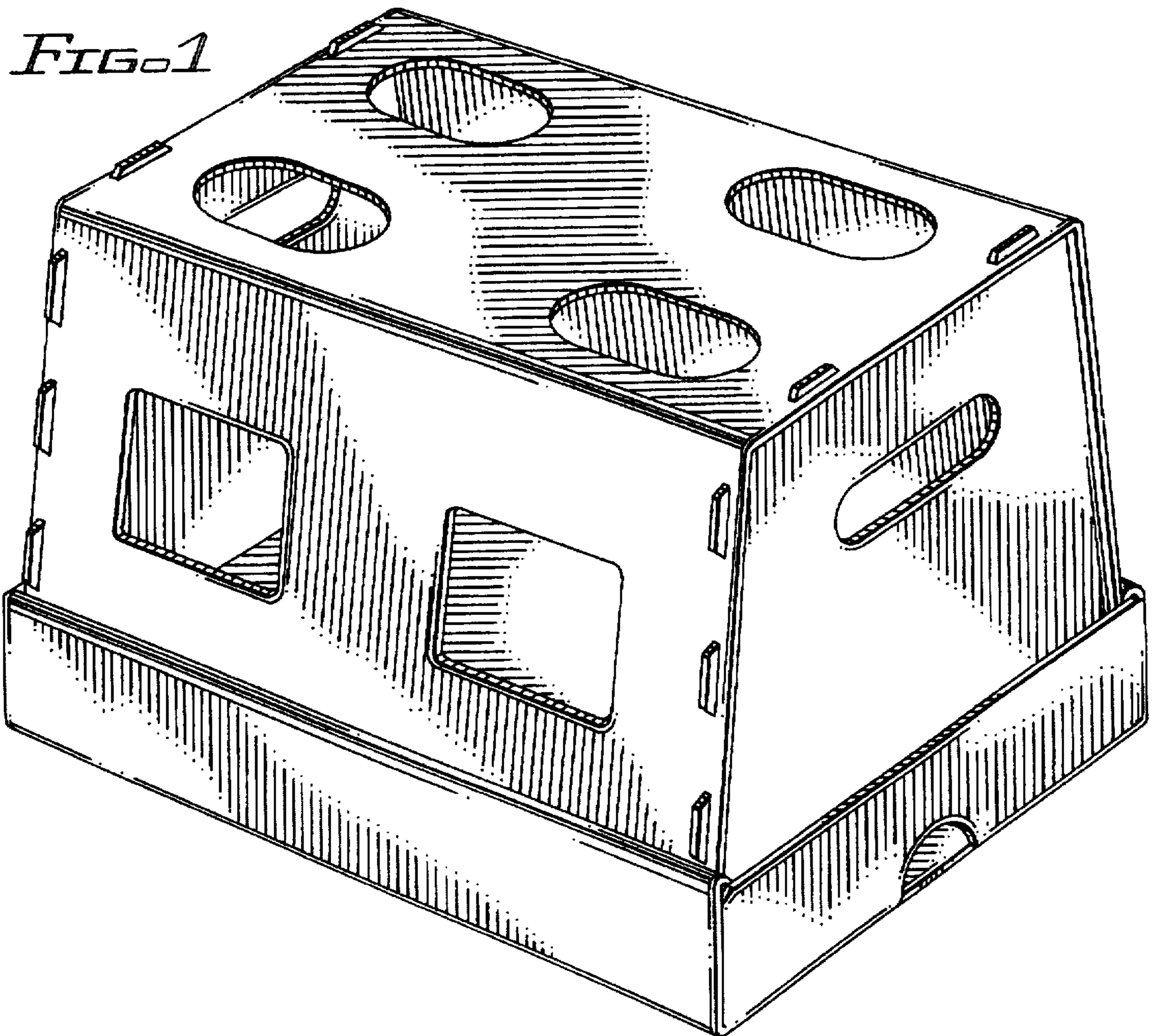


FIG. 3

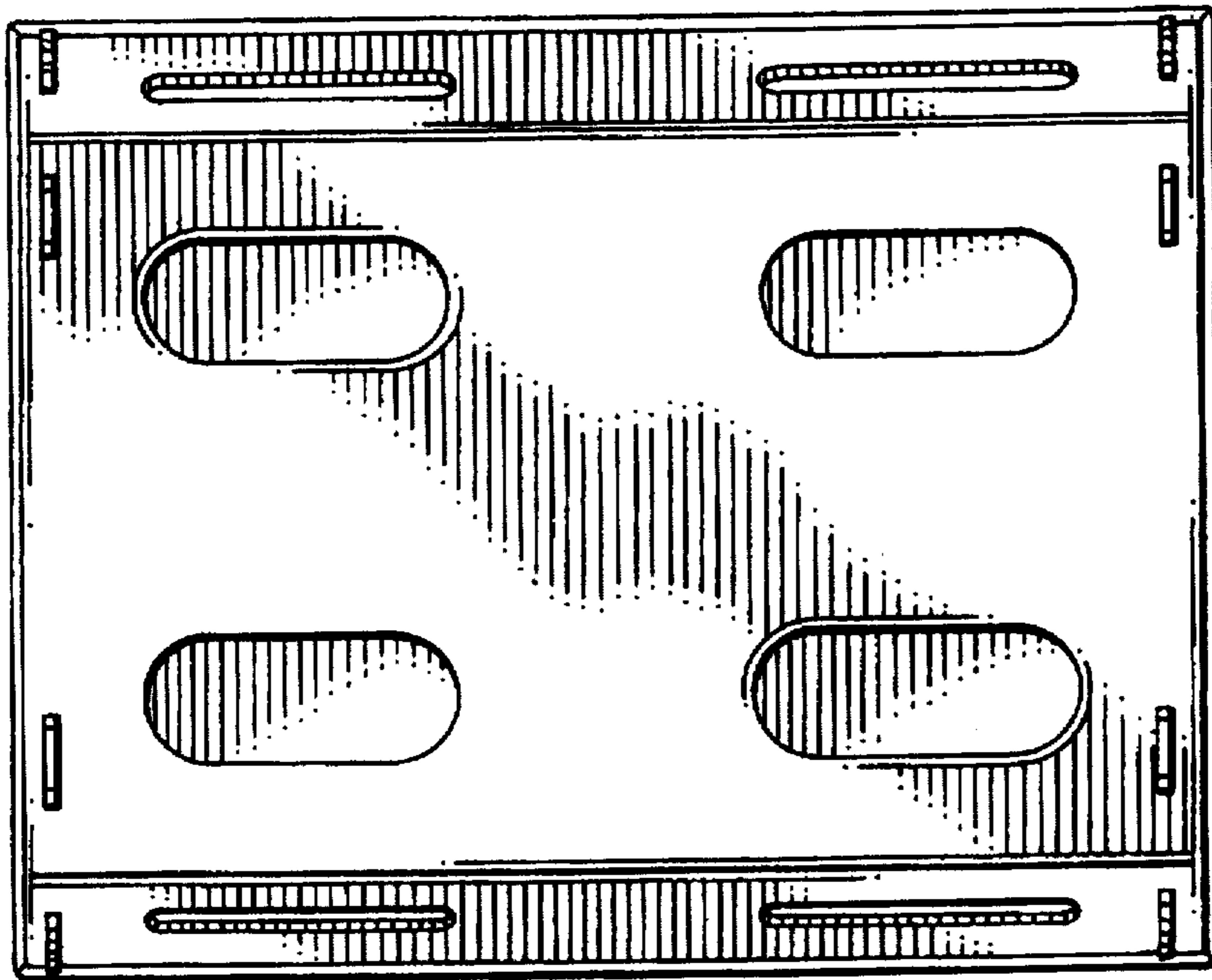


FIG. 4

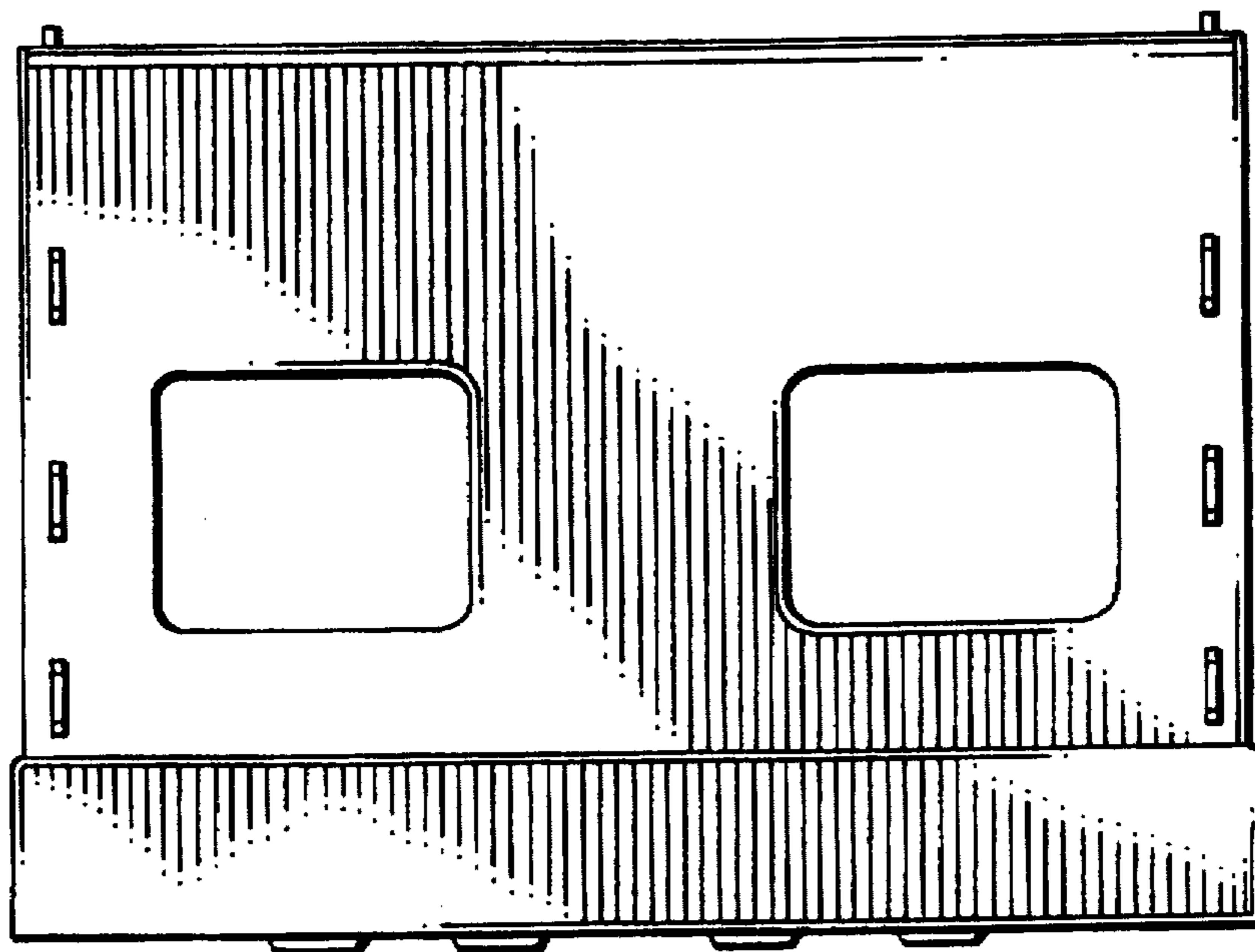


FIG. 5