



US00D389047S

United States Patent [19]

Smiley et al.

[11] Patent Number: **Des. 389,047**

[45] Date of Patent: ****Jan. 13, 1998**

[54] WINDOW TREATMENT ACCESSORY

[75] Inventors: **Charles F. Smiley**, Waunakee; **Cindy R. Jaggi**, Verona, both of Wis.

[73] Assignee: **Springs Window Fashions Division, Inc.**, Middleton, Wis.

[**] Term: **14 Years**

[21] Appl. No.: **67,635**

[22] Filed: **Feb. 28, 1997**

[51] LOC (6) Cl. **08-03**

[52] U.S. Cl. **D8/378**

[58] Field of Search **D8/378, 310, 312; 428/28**

[56] **References Cited**

U.S. PATENT DOCUMENTS

D. 20,555	3/1891	Schmidt	D8/312
D. 70,758	8/1926	Hofmann	D8/378
D. 70,759	8/1926	Hofmann	D8/378
D. 169,551	5/1953	Kendrick	D8/312
D. 305,356	1/1990	Delepine	D8/312

Primary Examiner—Holly Baynham
Attorney, Agent, or Firm—Lerner, David, Littenberg, Krumholz & Mentlik

[57] **CLAIM**

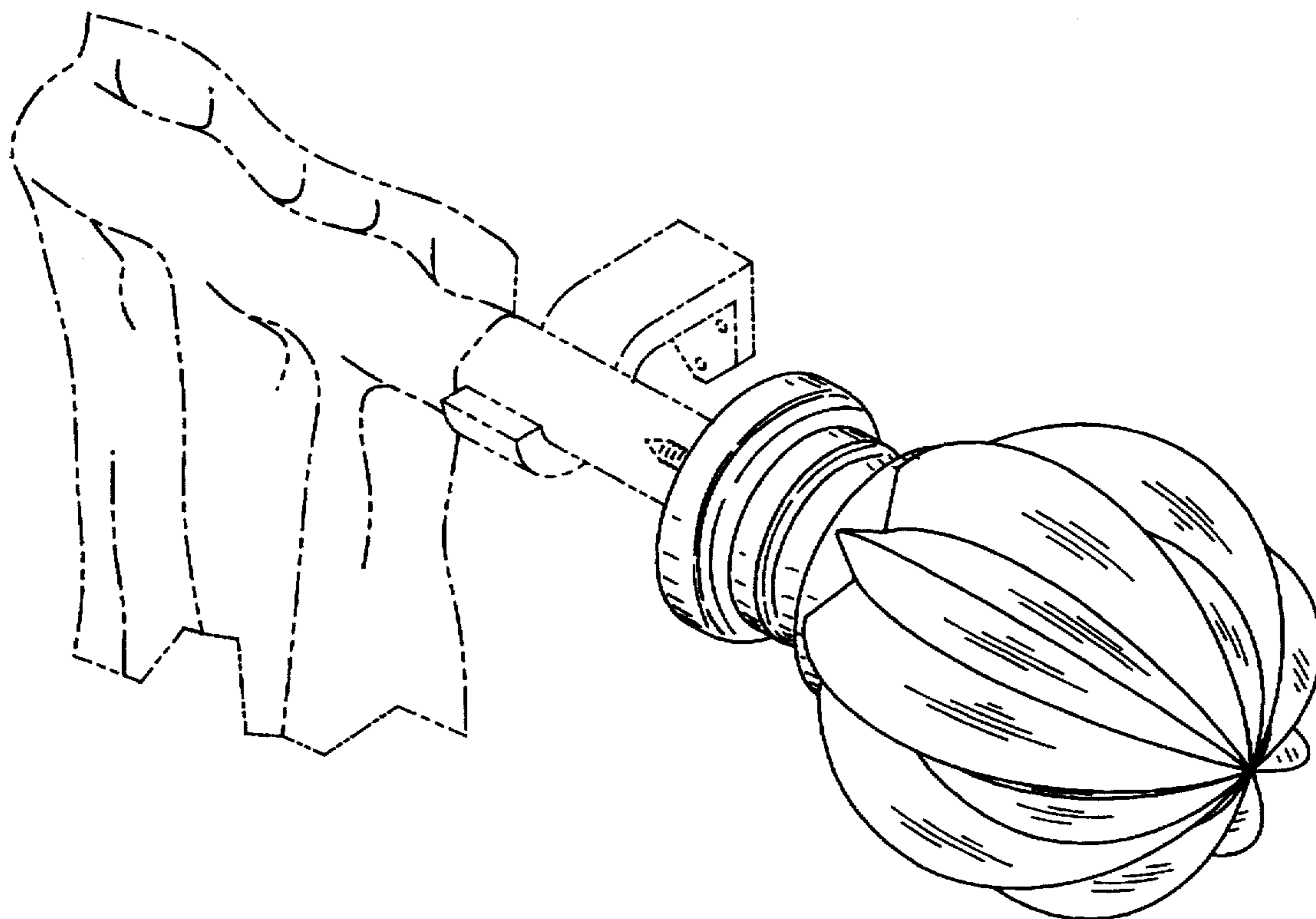
The ornamental design for a window treatment accessory, as shown and described in the drawings.

DESCRIPTION

FIG. 1 is a perspective view of the claimed window treatment accessory illustrated in assembled position;
 FIG. 2 is a top plan view thereof the bottom plan view being a mirror image of the top plan view;
 FIG. 3 is a bottom plan view thereof;
 FIG. 4 is a front view thereof the rear view being a mirror image of the front view;
 FIG. 5 is a right side view thereof; and,
 FIG. 6 is a left side view thereof.

The broken line showing of a cut-away portion of window treatment in FIG. 1 and a screw in FIGS. 2-3 and 5 is for illustrative purposes only and forms no part of the claimed design.

1 Claim, 2 Drawing Sheets



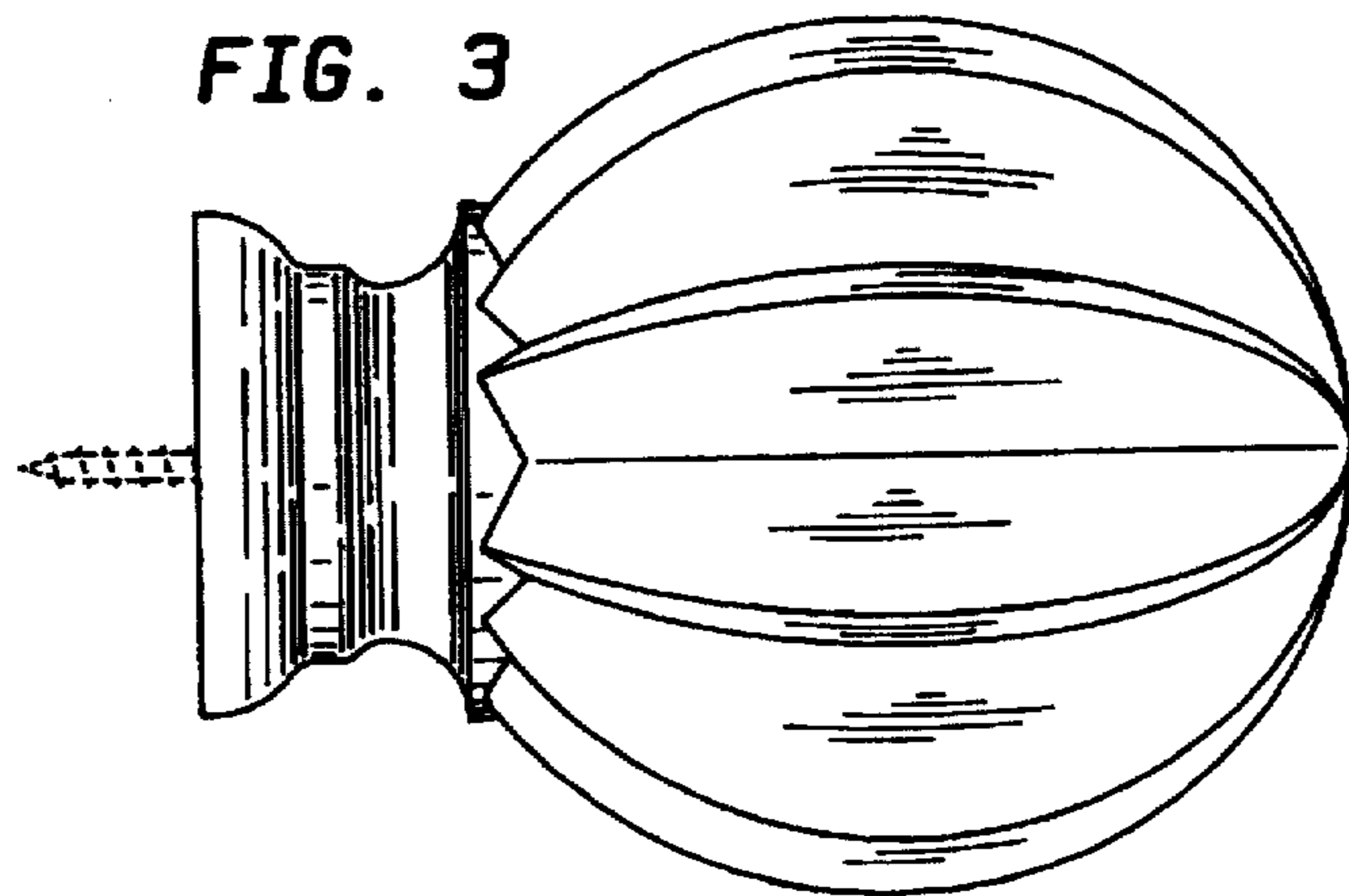
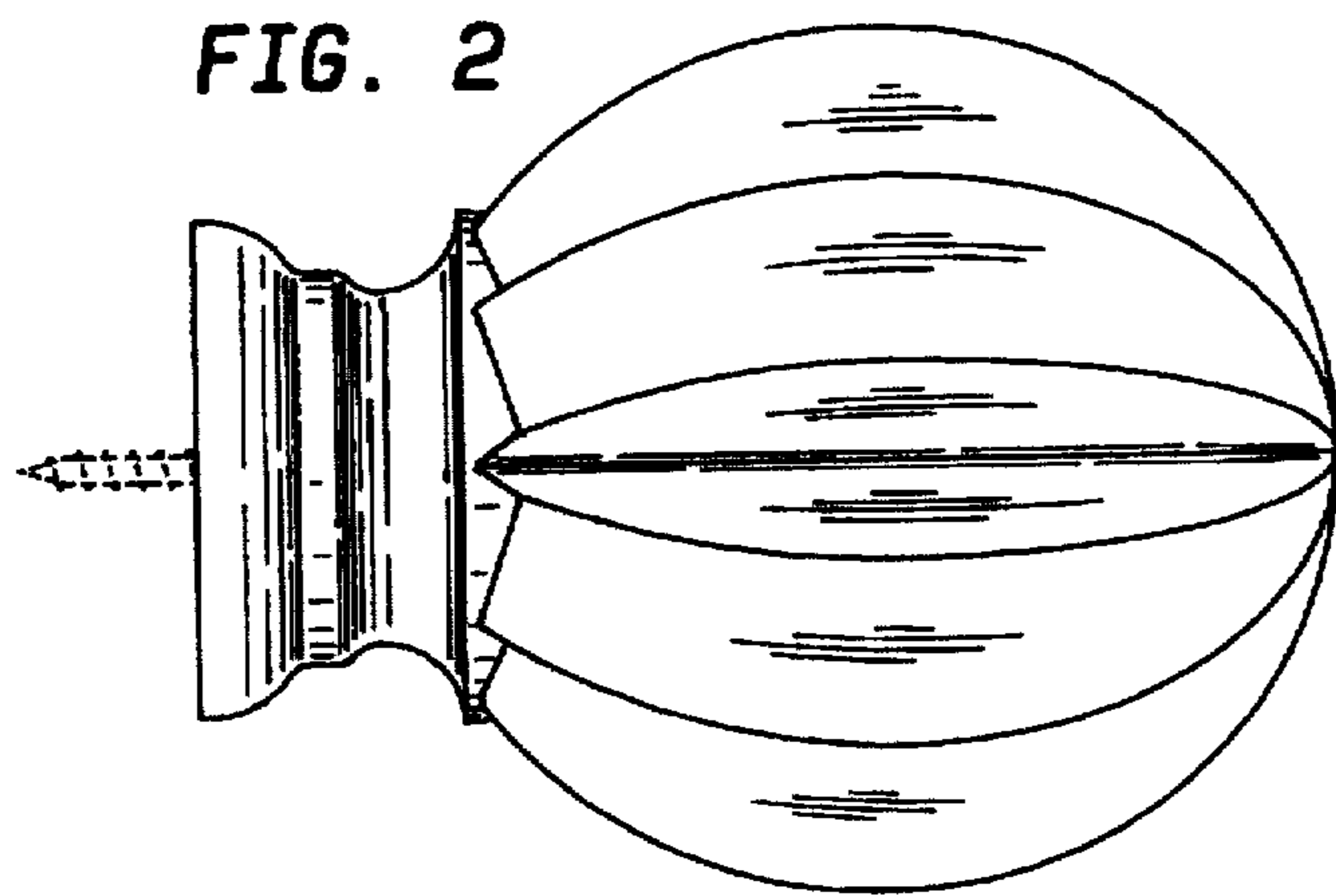
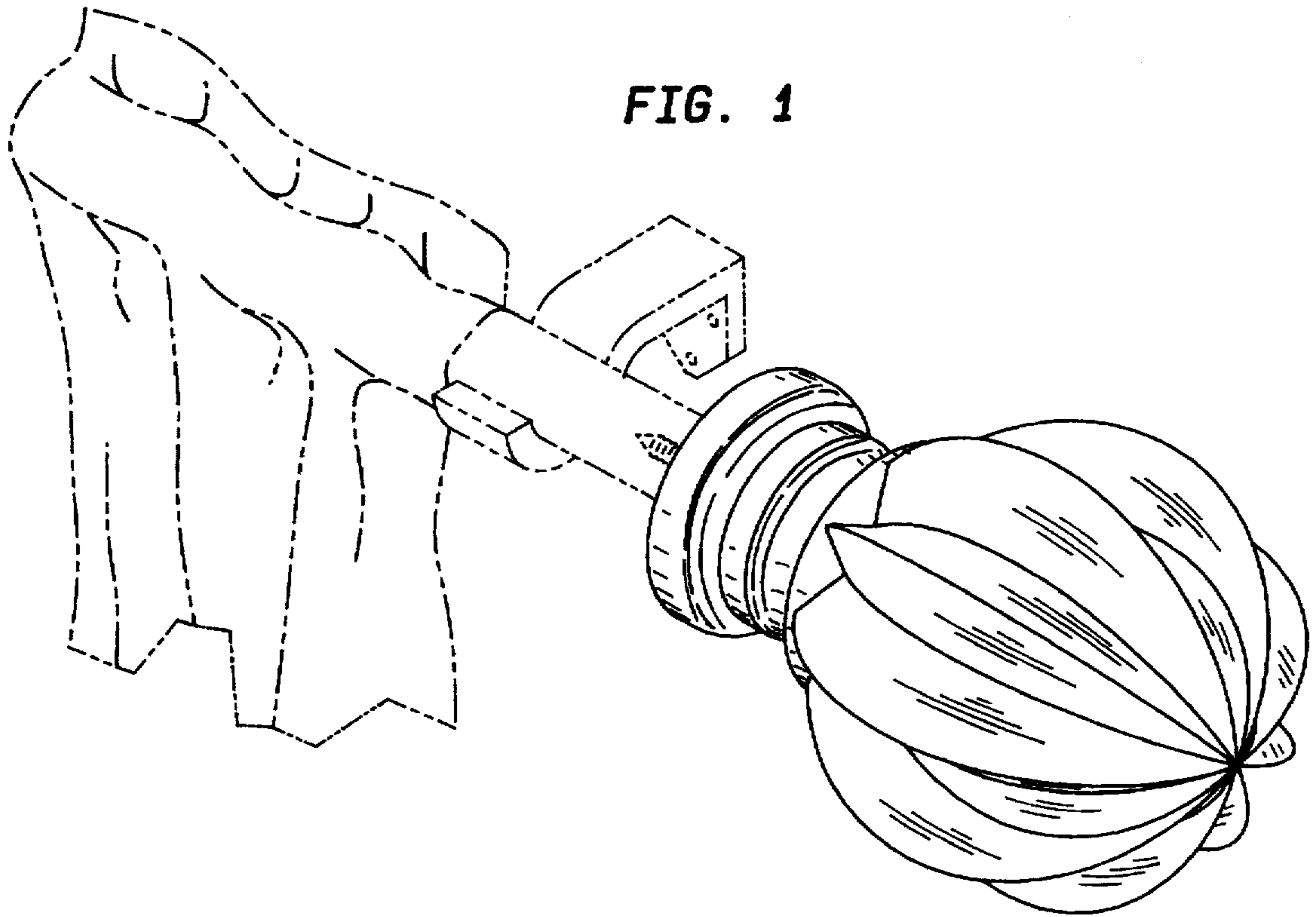


FIG. 4

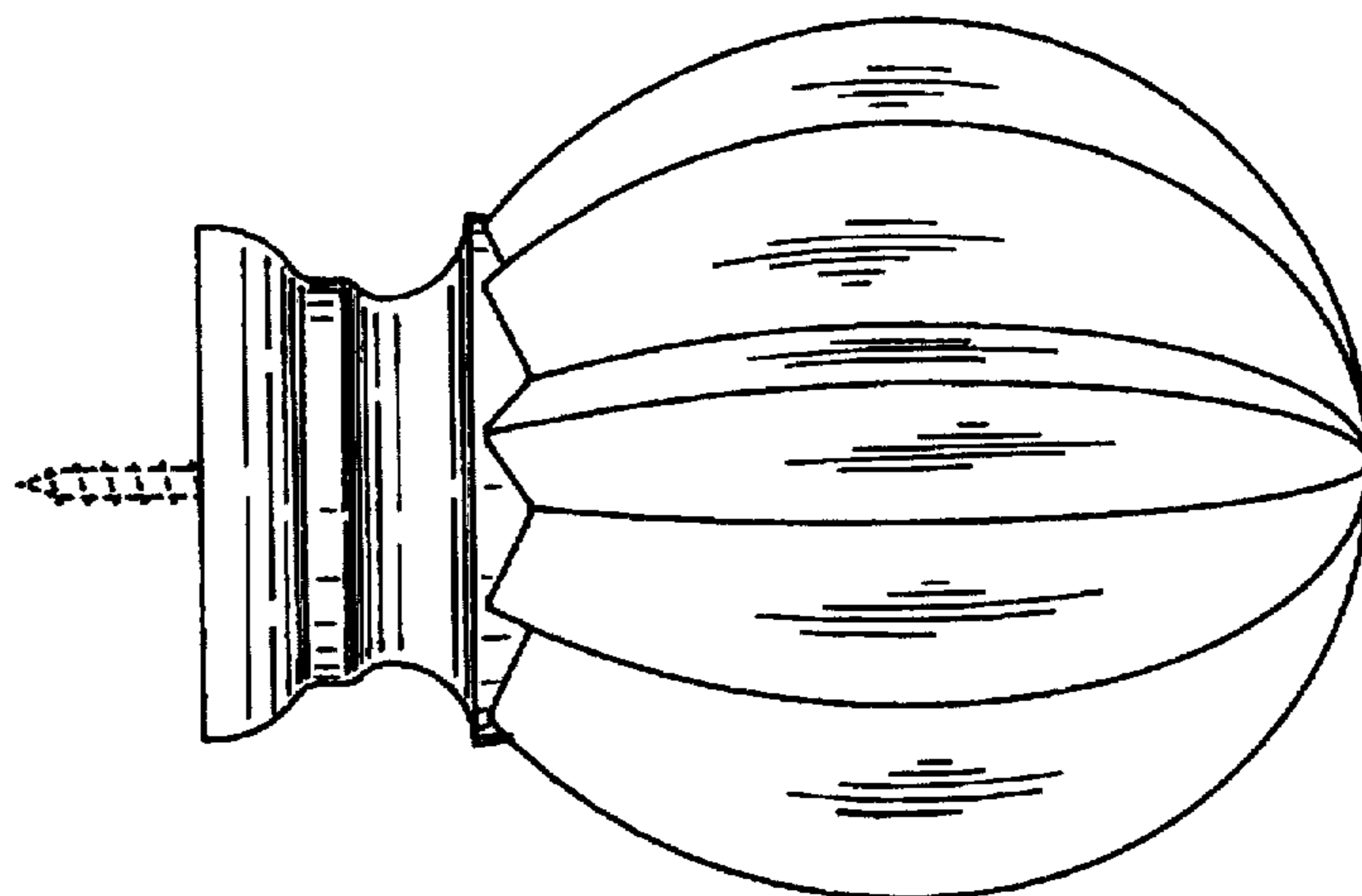


FIG. 5

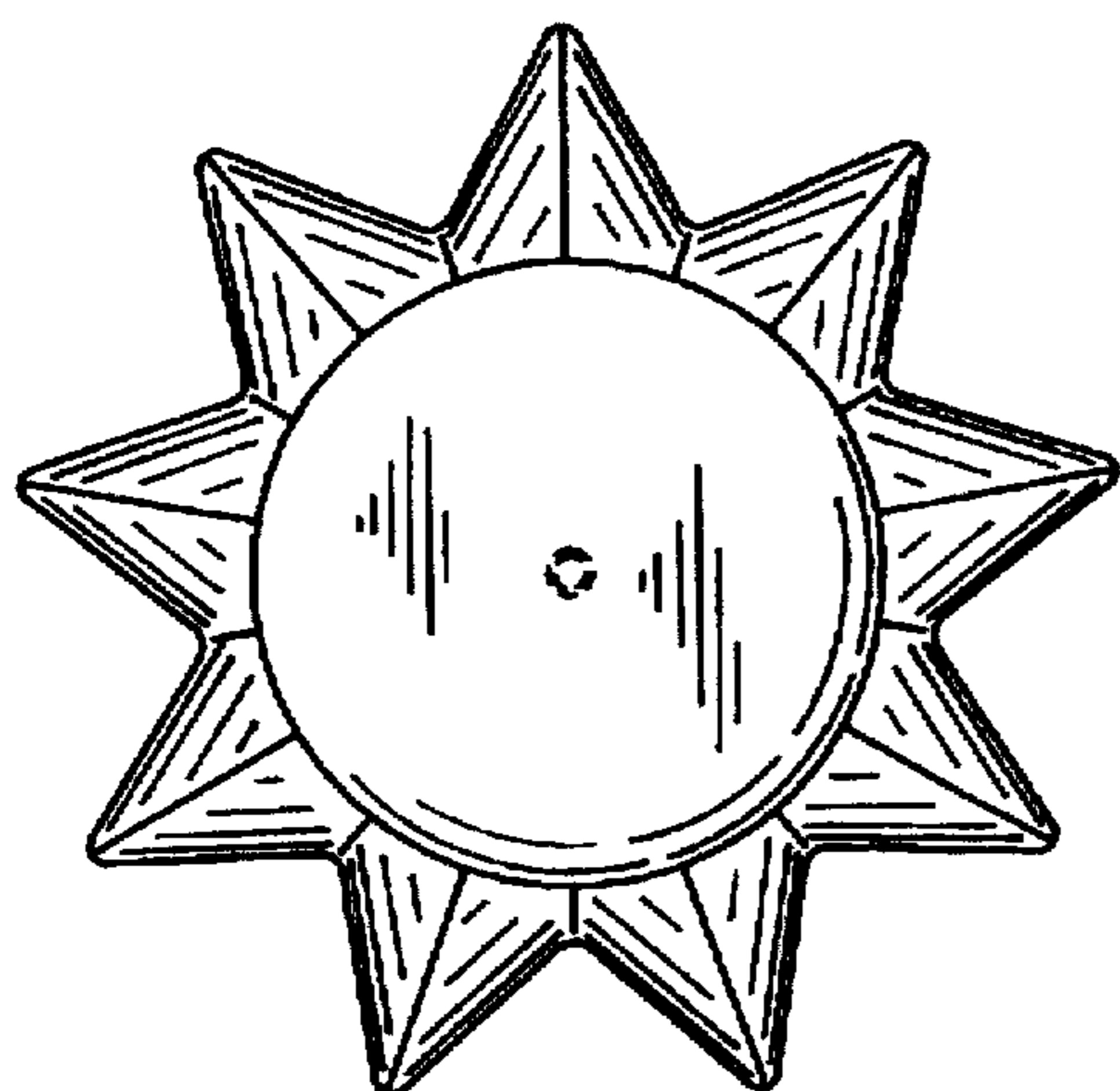


FIG. 6

