



US00D389046S

United States Patent [19]
Smiley et al.

[11] **Patent Number:** **Des. 389,046**
[45] **Date of Patent:** ****Jan. 13, 1998**

[54] **WINDOW TREATMENT ACCESSORY**

[75] **Inventors:** **Charles F. Smiley, Waunakee; Cindy R. Jaggi, Verona, both of Wis.**

[73] **Assignee:** **Springs Window Fashions Division, Inc., Middleton, Wis.**

[**] **Term:** **14 Years**

[21] **Appl. No.:** **67,619**

[22] **Filed:** **Feb. 28, 1997**

[51] **LOC (6) Cl.** **08-05**

[52] **U.S. Cl.** **D8/378**

[58] **Field of Search** **D8/378; 428/28; D26/154**

[56] **References Cited**
PUBLICATIONS

Ikea Catalog, p. 62, finial—item A located at right of page, Feb. 1995.

Primary Examiner—Holly Baynham

Attorney, Agent, or Firm—Lerner, David, Littenberg, Krumholz & Mentlik

[57] **CLAIM**

The ornamental design for a window treatment accessory, as shown.

DESCRIPTION

FIG. 1 is a perspective view of the claimed window treatment accessory;

FIG. 2 is a top plan view thereof the bottom plan view being a mirror image of the top plan view;

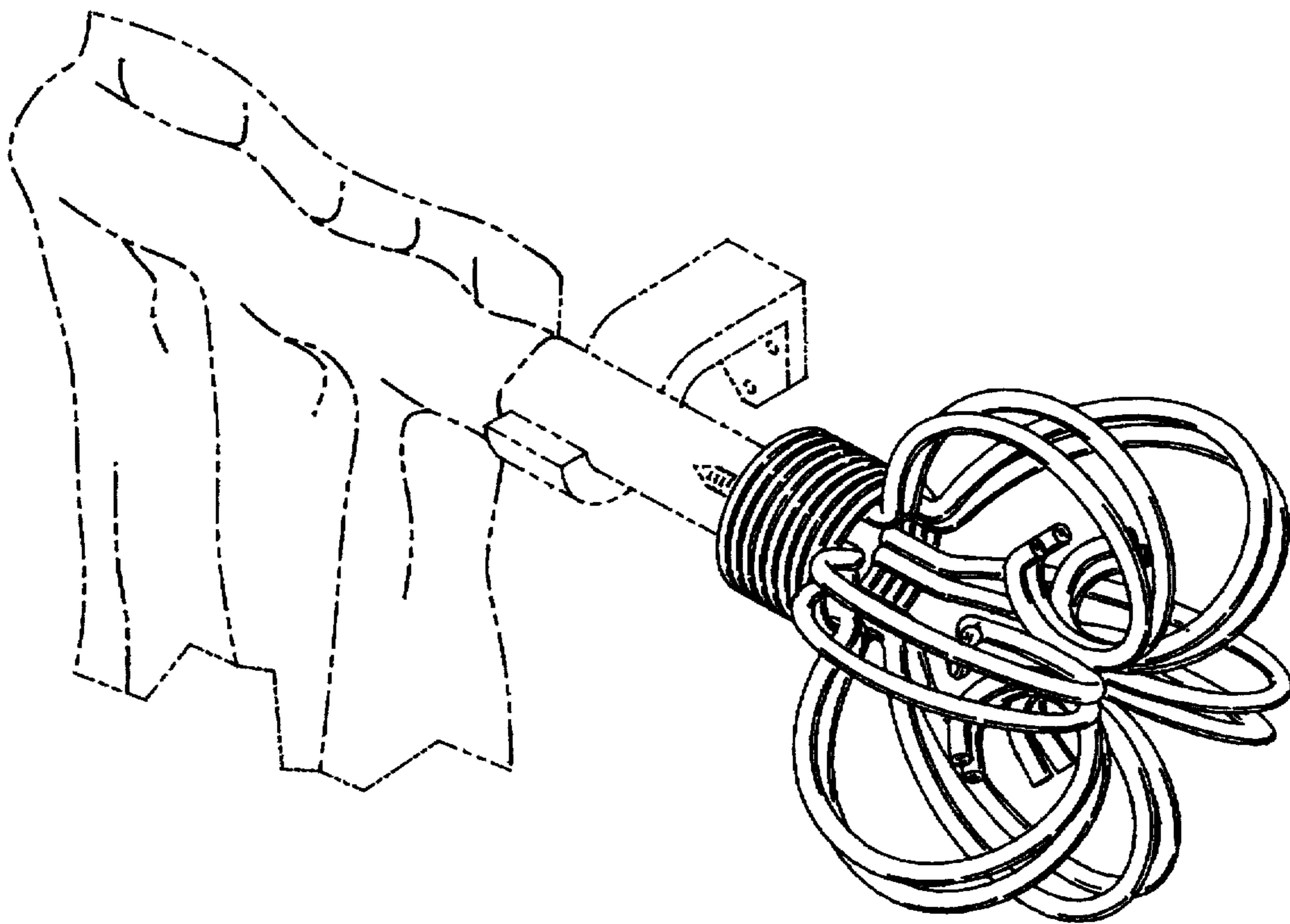
FIG. 3 is a front view thereof the rear view being a mirror image of the front view;

FIG. 4 is a right side view thereof; and,

FIG. 5 is a left side view thereof.

The broken line showing of a cut-away portion of window treatment in FIG. 1 and the screw in FIGS. 2 and 3 is for illustrative purposes only and forms no part of the claimed design.

1 Claim, 2 Drawing Sheets



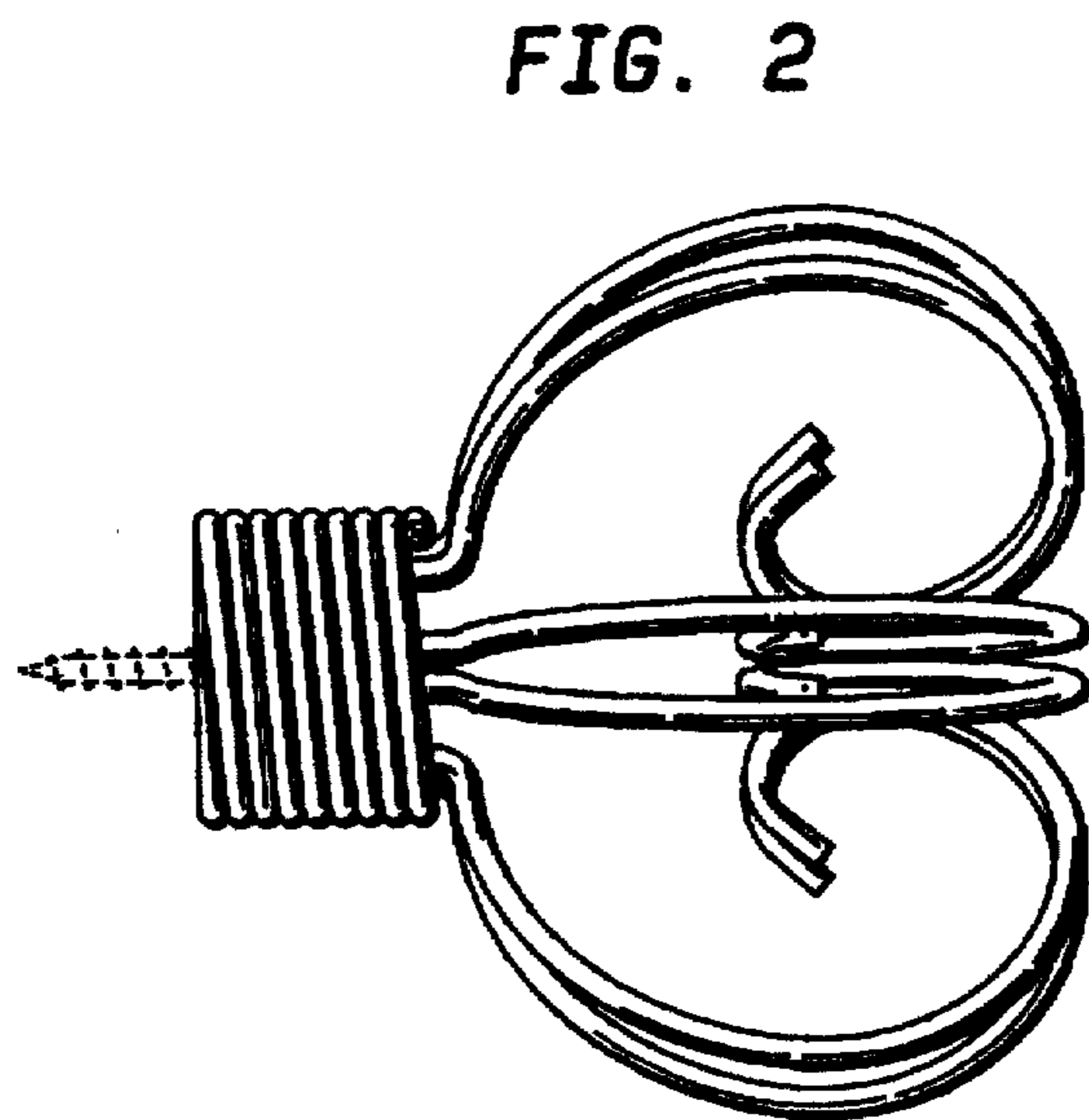
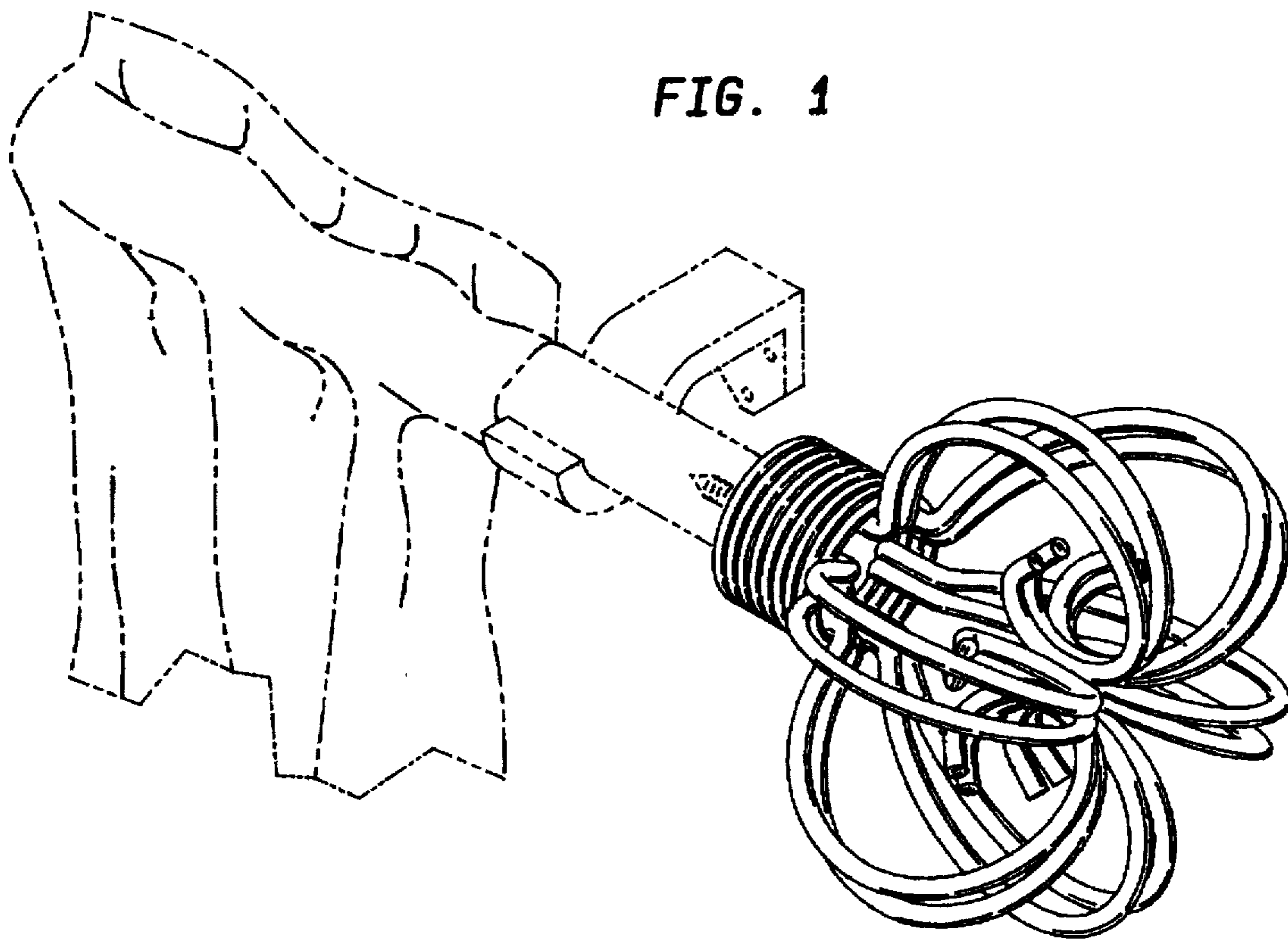


FIG. 3

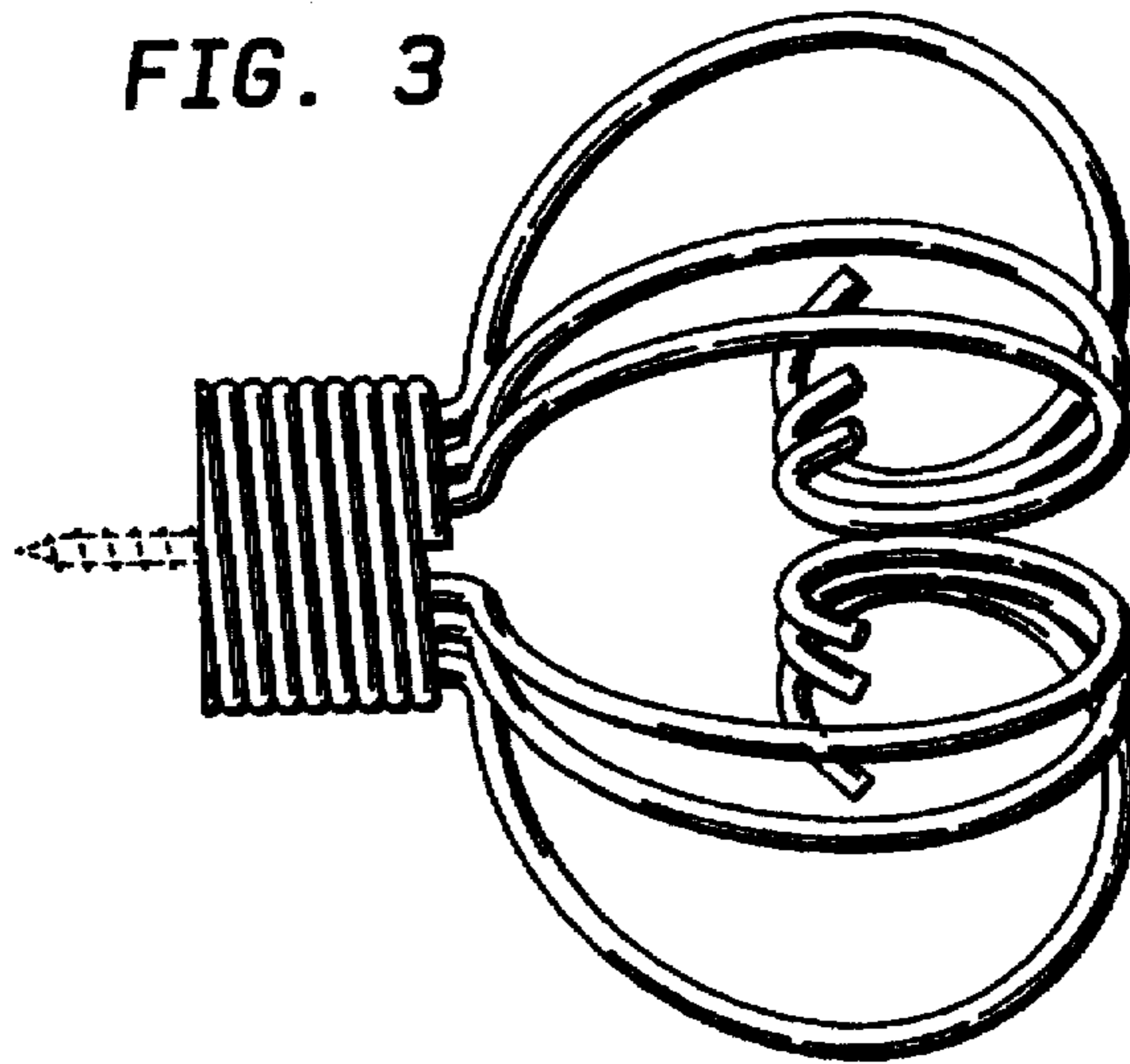


FIG. 4

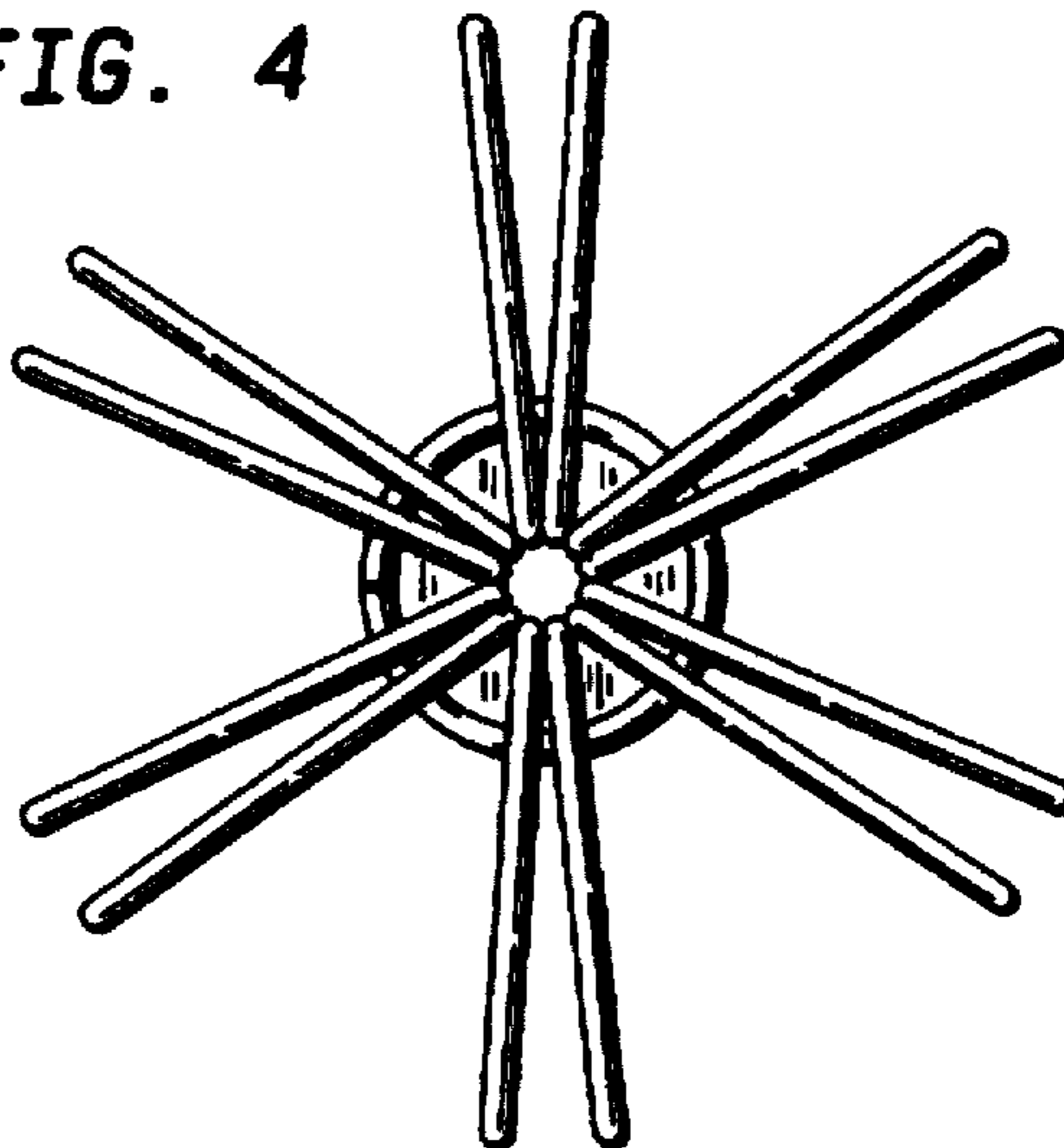


FIG. 5

