



US00D389042S

**United States Patent** [19]  
**Smiley et al.**

[11] **Patent Number:** **Des. 389,042**  
[45] **Date of Patent:** **\*\*Jan. 13, 1998**

[54] **WINDOW TREATMENT ACCESSORY**

[75] **Inventors:** **Charles F. Smiley, Waunakee; Cindy R. Jaggi, Verona, both of Wis.**

[73] **Assignee:** **Springs Window Fashions Division, Inc., Middleton, Wis.**

[\*\*] **Term:** **14 Years**

[21] **Appl. No.:** **67,573**

[22] **Filed:** **Feb. 28, 1997**

[51] **LOC (6) Cl.** ..... **08-05**

[52] **U.S. Cl.** ..... **D8/378**

[58] **Field of Search** ..... **D8/378, 311-312; 428/28**

[56] **References Cited**

**U.S. PATENT DOCUMENTS**

D. 20,555	3/1891	Schmidt	.....	D8/312 X
D. 70,758	8/1926	Hofmann	.....	D8/378
D. 70,759	8/1926	Hofmann	.....	D8/378
D. 305,356	1/1990	Delepine	.....	D8/312 X

**OTHER PUBLICATIONS**

Interior Design Magazine, p. 41, final located at top left corner of page, Feb. 1992.

*Primary Examiner*—Holly Baynham  
*Attorney, Agent, or Firm*—Lerner, David, Littenberg, Krumholz & Mentlik

[57] **CLAIM**

The ornamental design for a window treatment accessory, as shown and described.

**DESCRIPTION**

FIG. 1 is a perspective view of the claimed window treatment accessory;

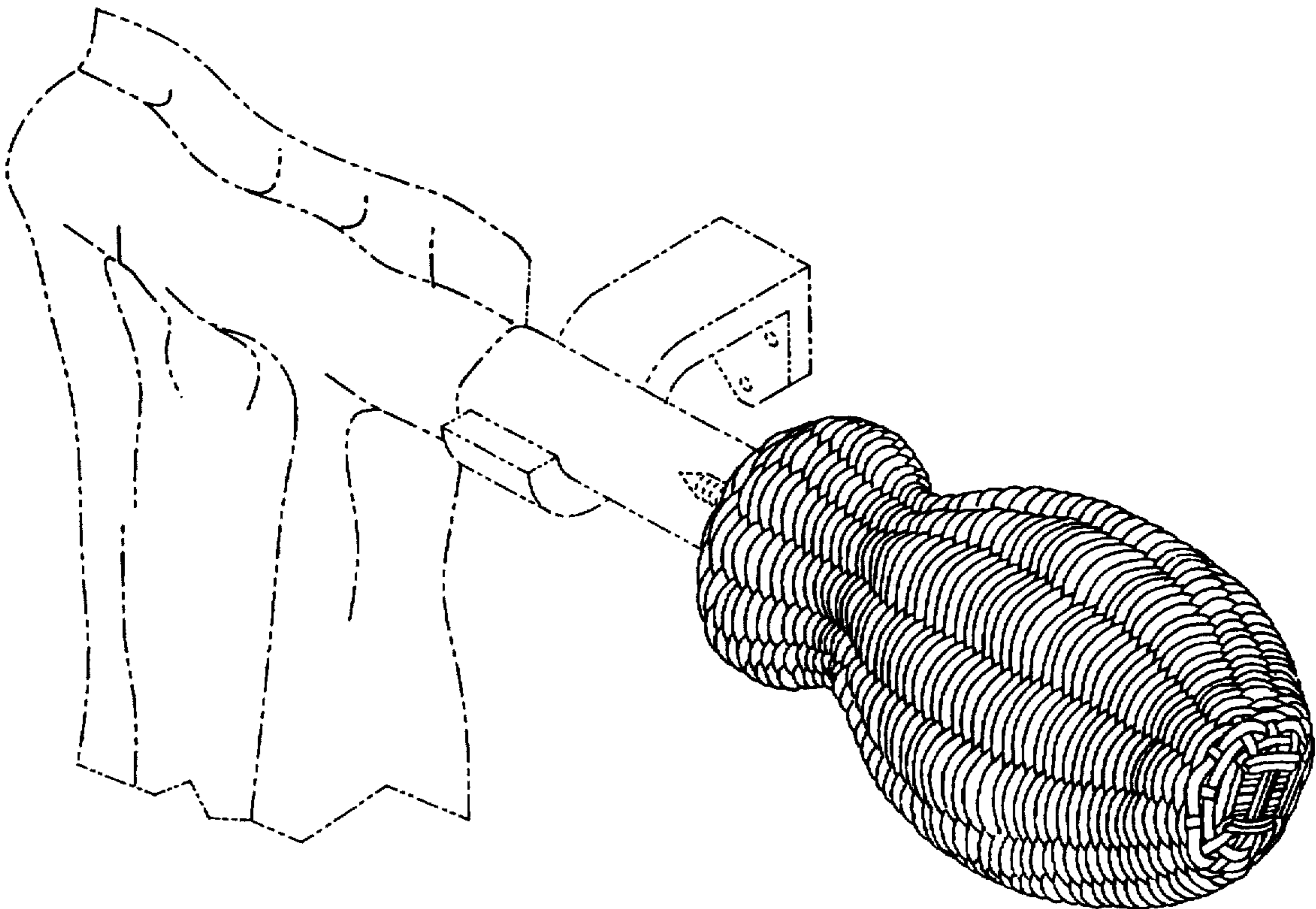
FIG. 2 is a front view thereof (the rear view, the top plan view and the bottom plan view being mirror images of the front view);

FIG. 3 is a right side view thereof; and,

FIG. 4 is a left side view thereof.

The broken line showing of a cut-away portion of window treatment in FIG. 1 is for illustrative purposes only and forms no part of the claimed design.

**1 Claim, 2 Drawing Sheets**



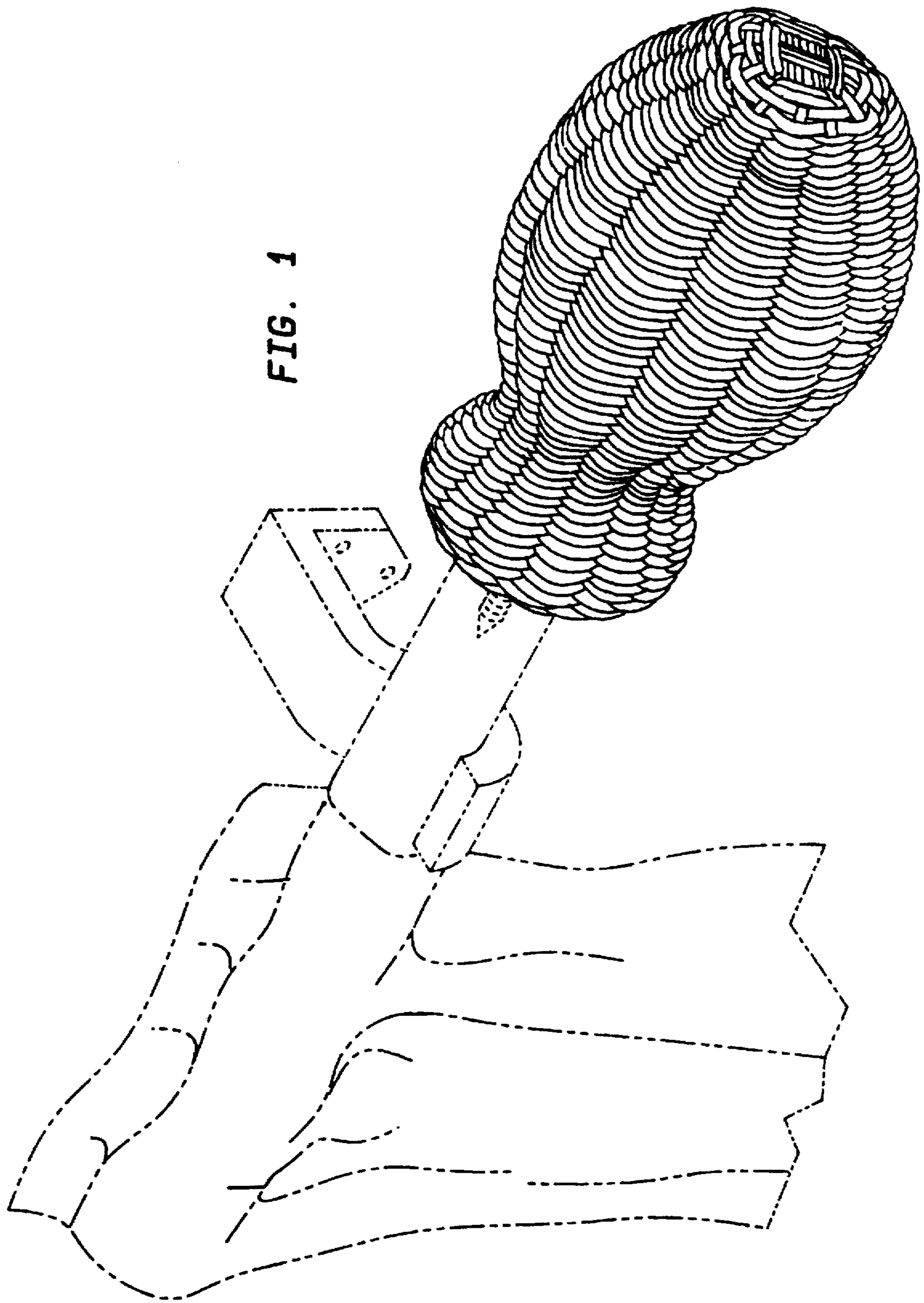


FIG. 1

FIG. 2

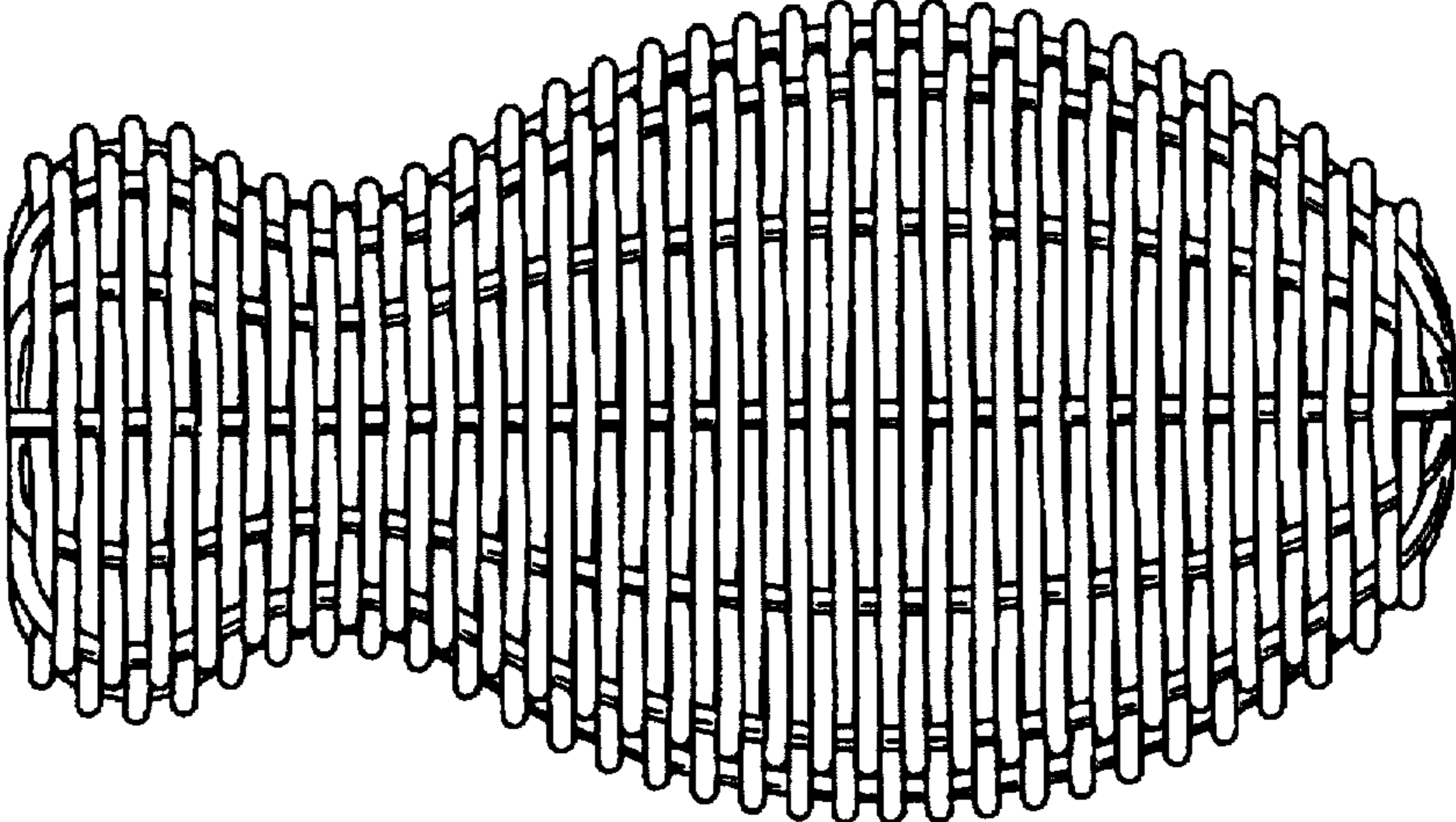


FIG. 4

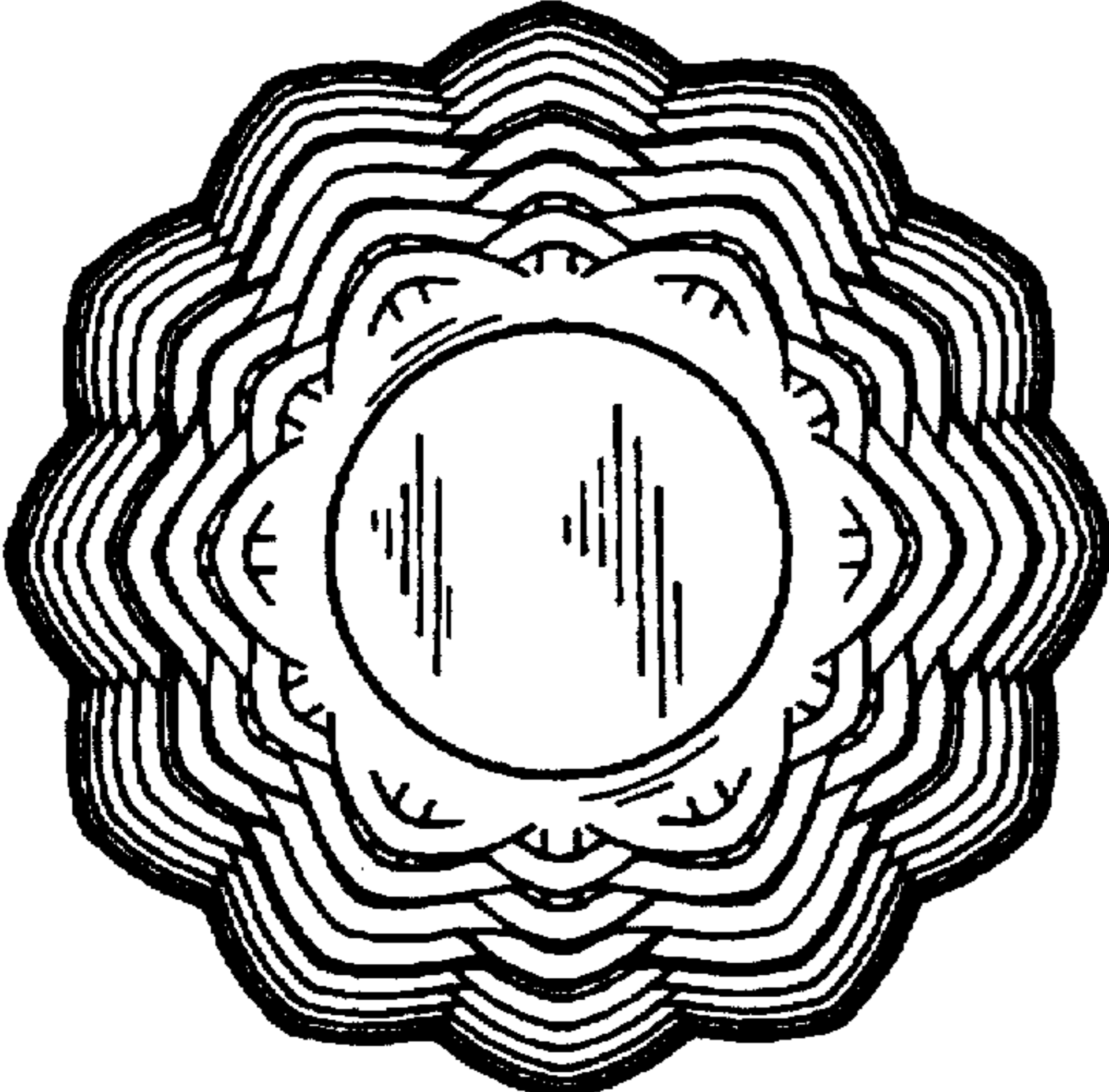


FIG. 3

