



US00D389038S

United States Patent [19]

Rosul

[11] Patent Number: **Des. 389,038**

[45] Date of Patent: ****Jan. 13, 1998**

[54] **EXPANDABLE SIDELIGHT WINDOW CURTAIN ROD**

[76] Inventor: **Gerald M. Rosul**, 1 Kalyn Ct., Irwin, Pa. 15642

[**] Term: **14 Years**

[21] Appl. No.: **40,451**

[22] Filed: **Jun. 19, 1995**

[51] LOC (6) Cl. **08-05**

[52] U.S. Cl. **D8/376**

[58] Field of Search D8/376, 380; 211/105.3, 211/105.1-105.2, 105.4; 16/87.4 R; 160/330

[56] **References Cited**

U.S. PATENT DOCUMENTS

- D. 337,495 7/1993 Alexander D8/376
- 3,001,754 9/1961 Fowler 211/105.3 X
- 3,429,452 2/1969 Johnson 211/105.3

- 4,824,302 4/1989 Schultheis et al. 211/105.3 X
- 5,295,595 3/1994 Gobidas et al. 211/105.1

Primary Examiner—Holly Baynham
Attorney, Agent, or Firm—James Ray & Associates

[57] **CLAIM**

The ornamental design for the expandable sidelight window curtain rod, as shown and described.

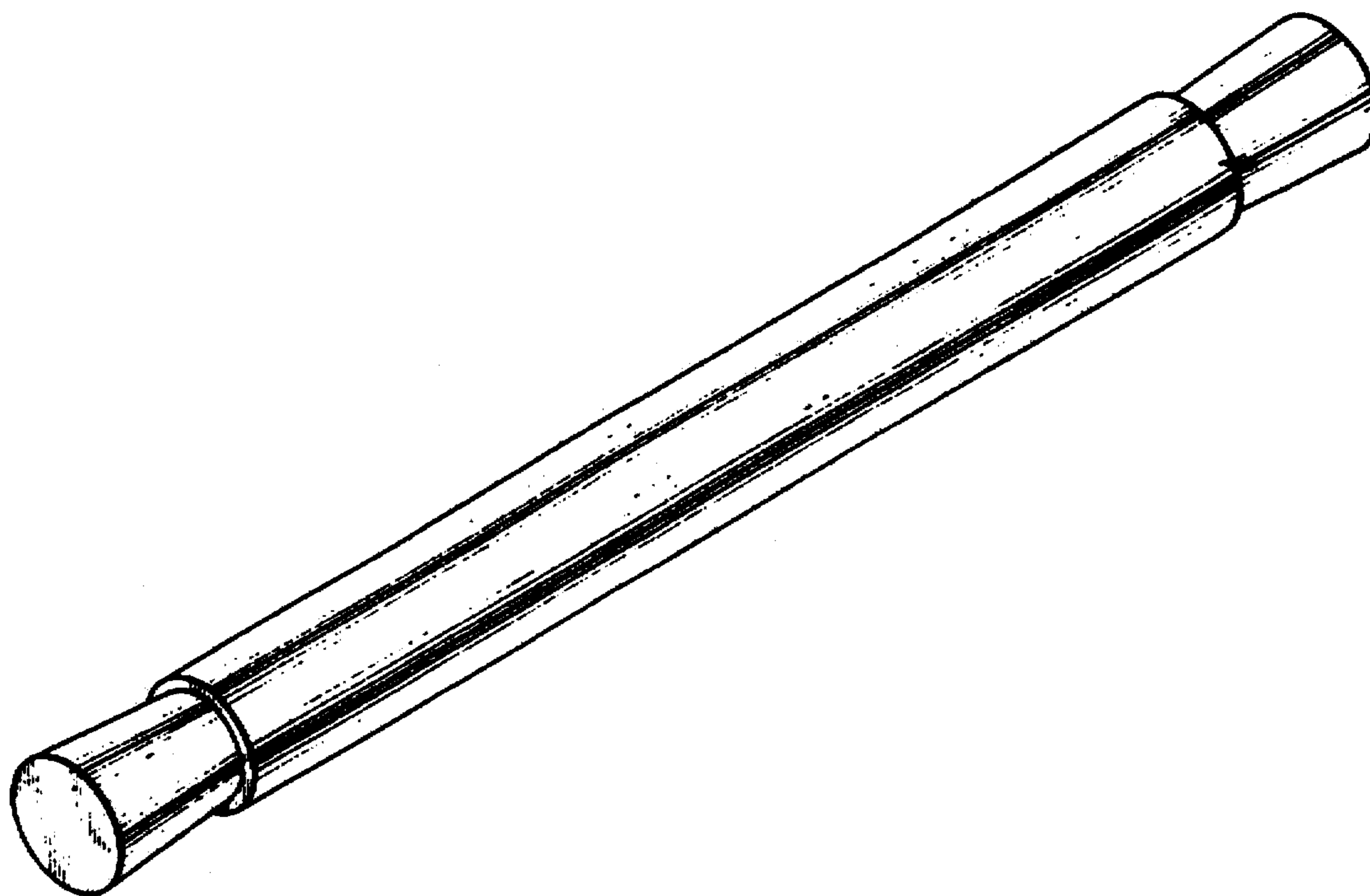
DESCRIPTION

FIG. 1 is a perspective view of an expandable sidelight window curtain rod showing my new, original and ornamental design;

FIG. 2 is a front elevational view of the expandable sidelight window curtain rod, the rear elevational view being the same as the front elevational view; and,

FIG. 3 is a side elevation view thereof with the opposite side being a mirror image.

1 Claim, 1 Drawing Sheet



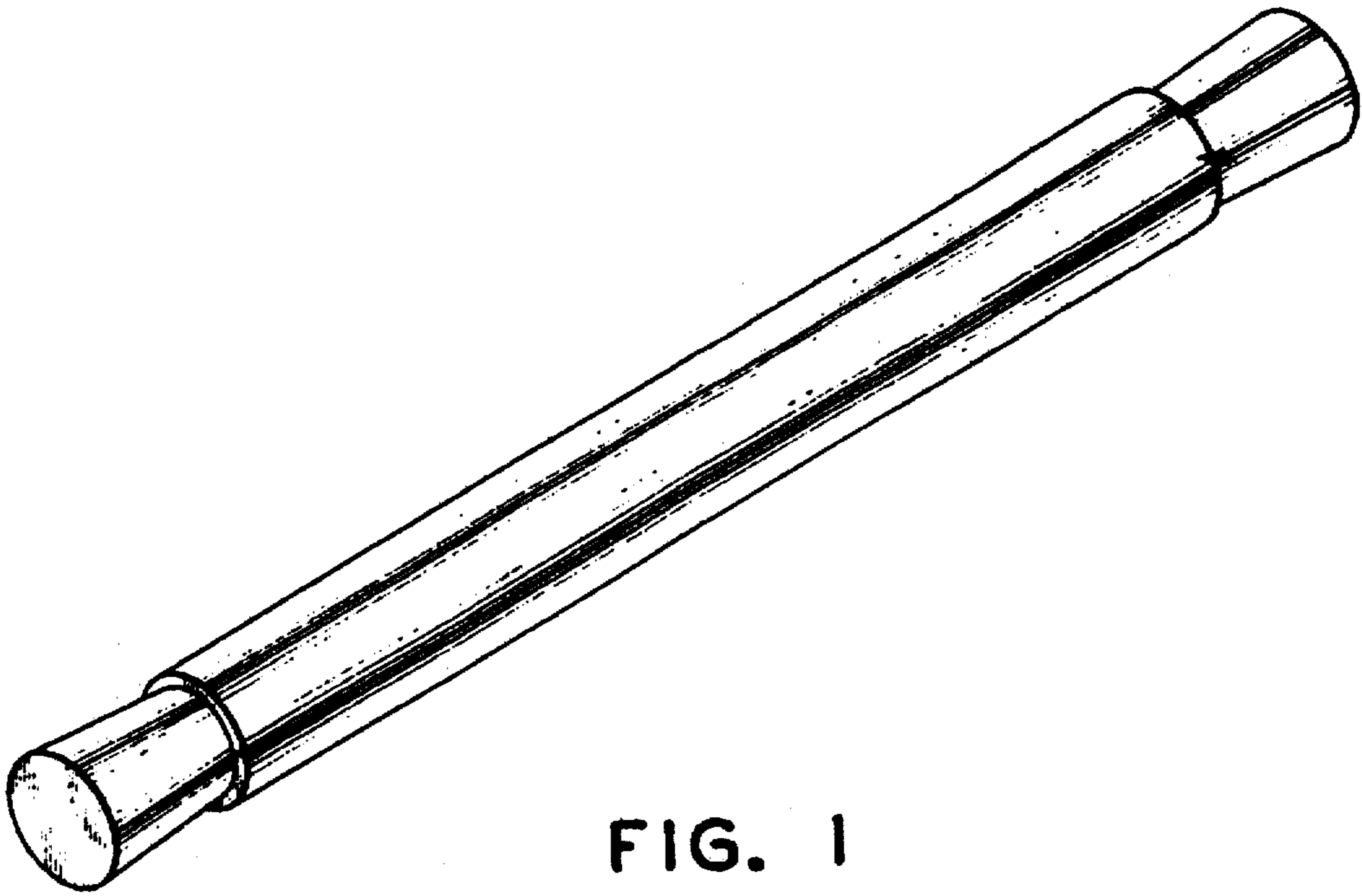


FIG. 1



FIG. 2

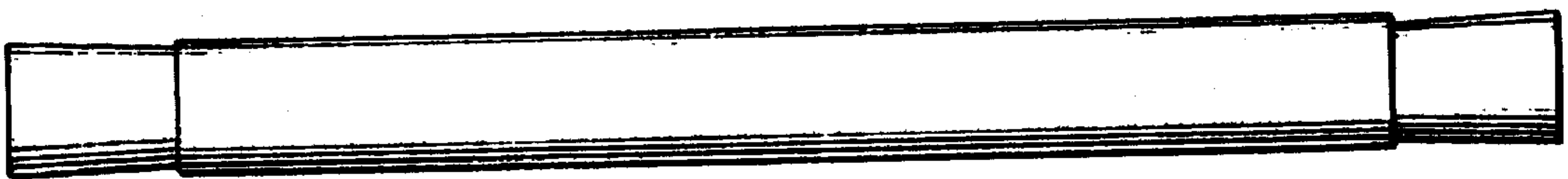


FIG. 3