



US00D389031S

United States Patent [19]
Lam

[11] **Patent Number:** **Des. 389,031**
[45] **Date of Patent:** ****Jan. 13, 1998**

[54] **MOTORCYCLE DISC BRAKE LOCK**

[76] **Inventor:** **Shiu Hung Lam**, P.O. Box 90, Tainan
704, Taiwan

[**] **Term:** **14 Years**

[21] **Appl. No.:** **58,903**

[22] **Filed:** **Aug. 27, 1996**

[51] **LOC (6) Cl.** **08-07**

[52] **U.S. Cl.** **D8/333**

[58] **Field of Search** **D12/114; D8/300,**
D8/333, 334; 70/19, 14, 20, 31, 35, 237;
188/24.18

[56] **References Cited**

U.S. PATENT DOCUMENTS

D. 342,010	12/1993	Lebrecht et al.	D8/334
D. 352,223	11/1994	Shieh	D8/333
5,347,835	9/1994	Dewey	280/288.4
5,511,399	4/1996	Lynn	70/19

OTHER PUBLICATIONS

Cycle World, Dec. 1993, p. 50, The Compact Disc-Lock
Anti-Theft Device.

Primary Examiner—Melody N. Brown

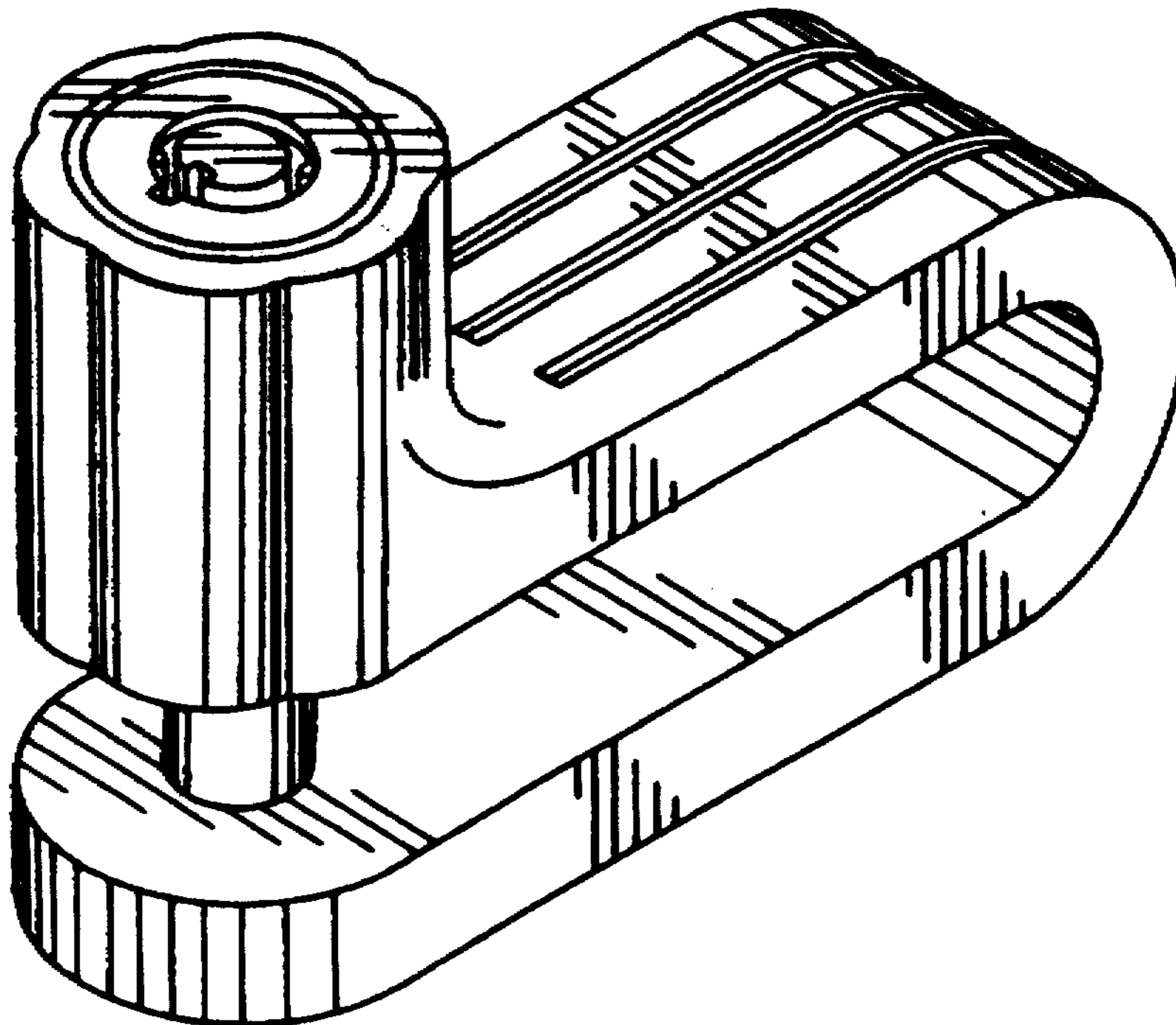
[57] **CLAIM**

The ornamental design for a motorcycle disc brake lock, as
shown.

DESCRIPTION

FIG. 1 is a top, front, and left side perspective view of
motorcycle disc brake lock showing my design;
FIG. 2 is a front elevational view thereof;
FIG. 3 is a rear elevational view thereof;
FIG. 4 is a left side elevational view thereof;
FIG. 5 is a right side elevational view thereof;
FIG. 6 is a top plan view thereof; and,
FIG. 7 is a bottom plan view thereof.

1 Claim, 4 Drawing Sheets



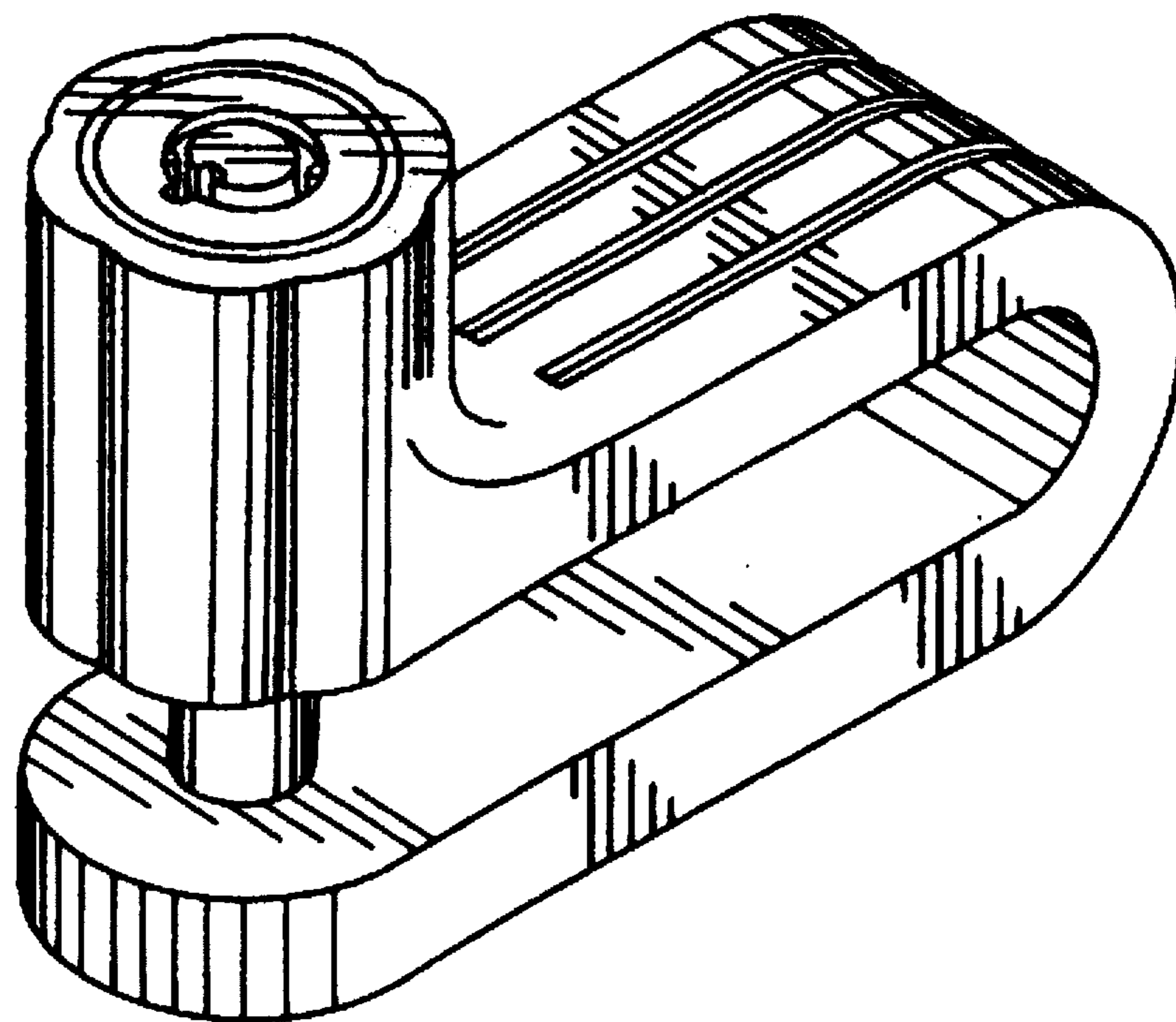


FIG. 1

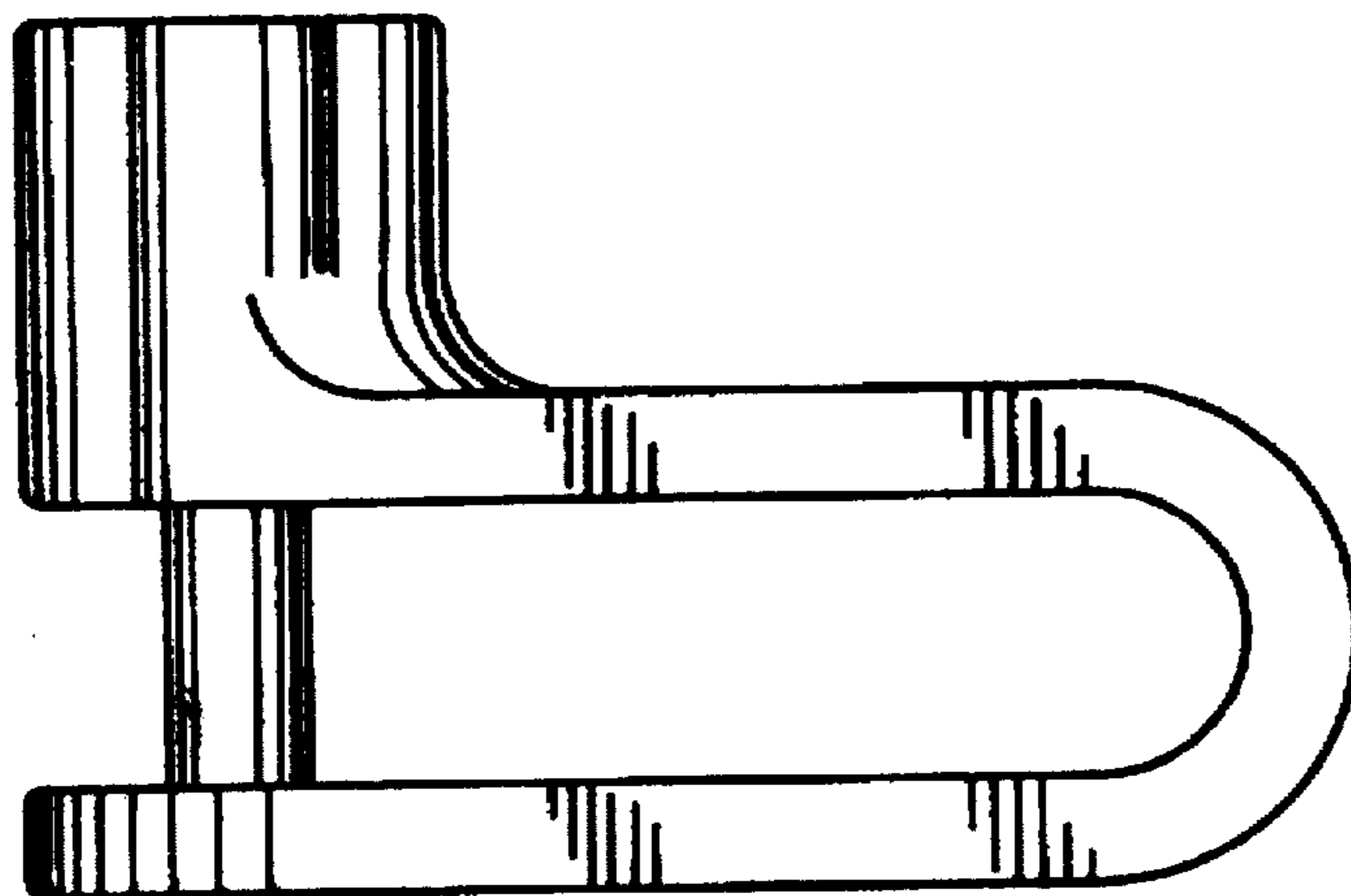


FIG. 2

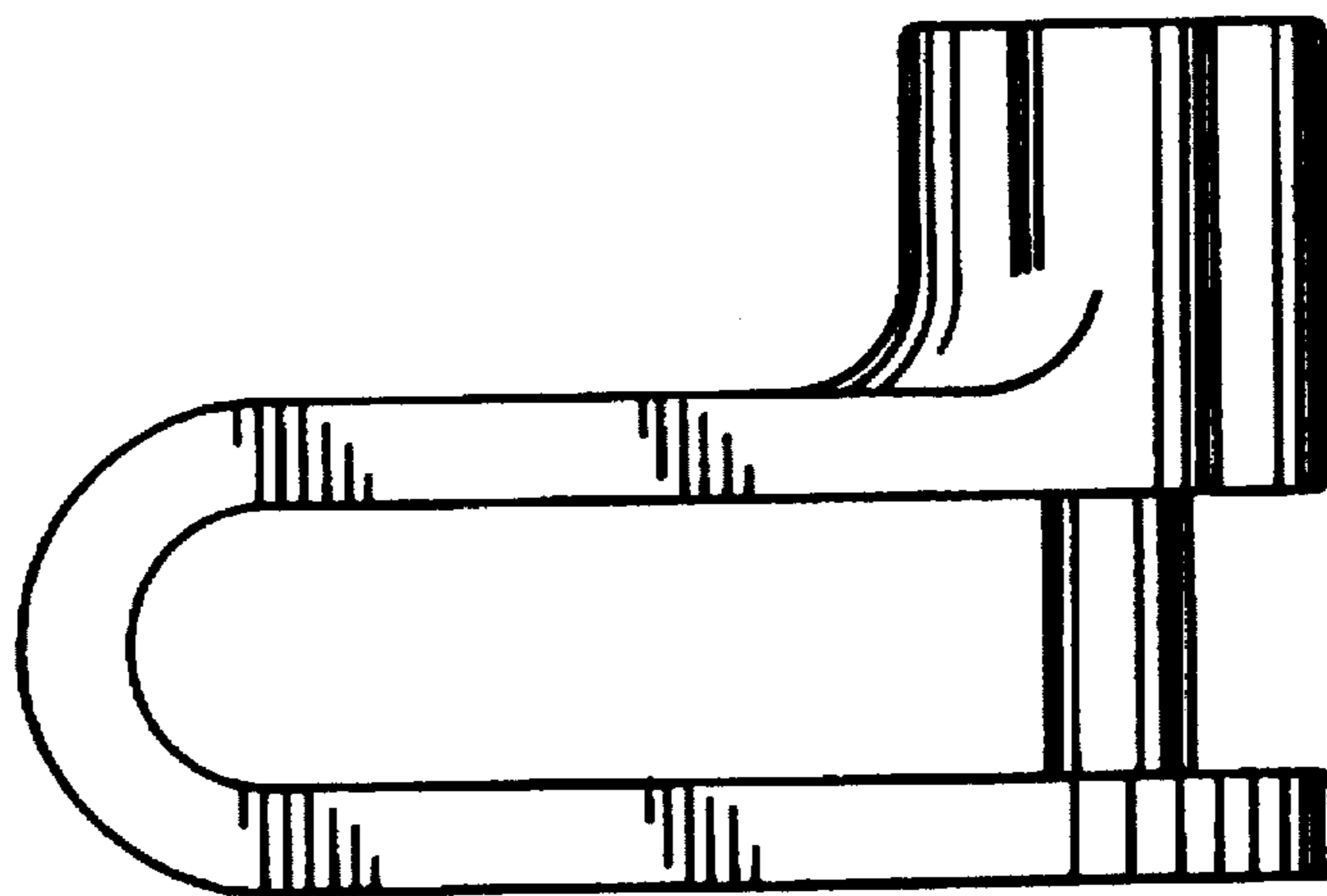


FIG. 3

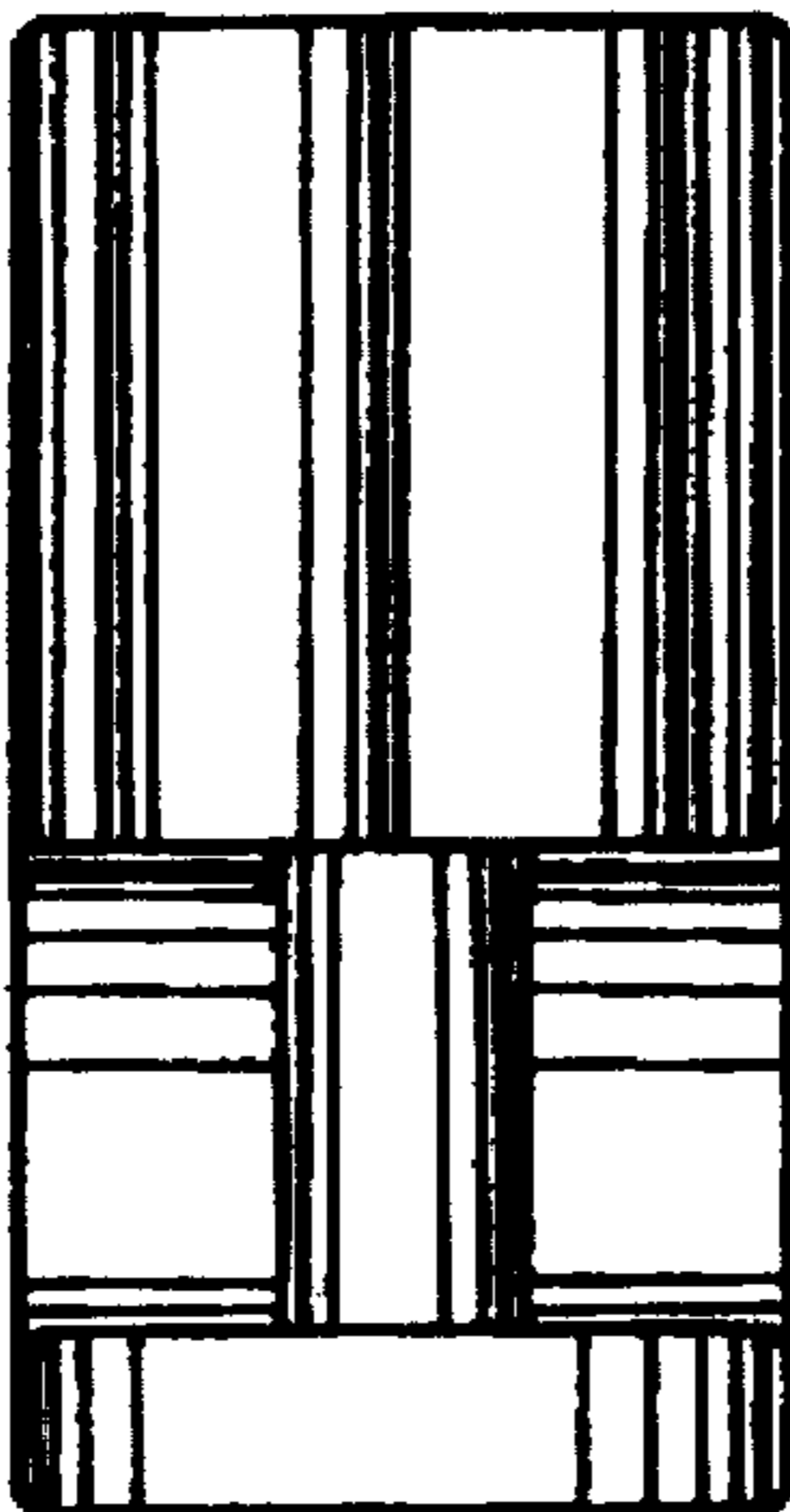


FIG. 4

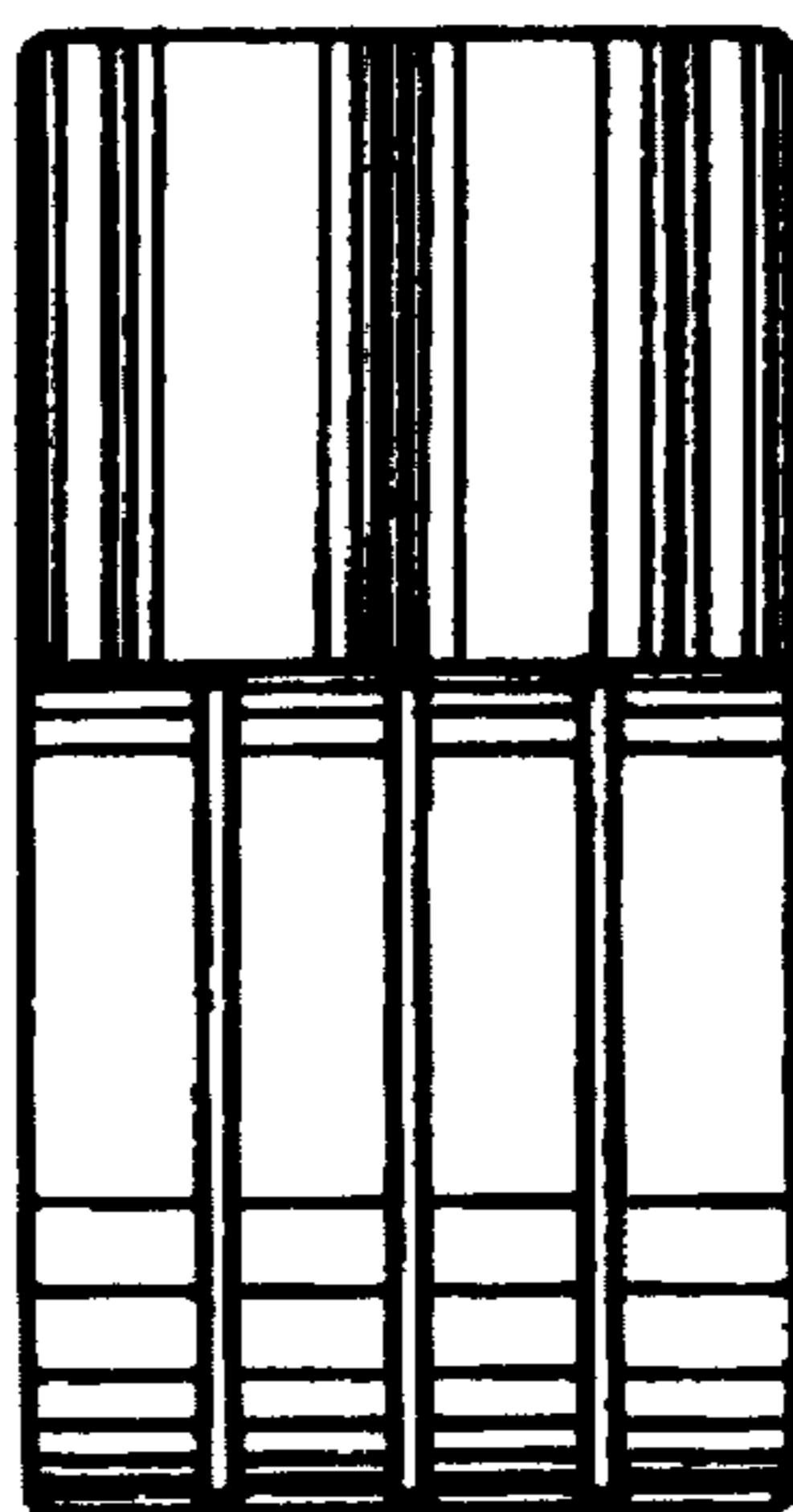


FIG. 5

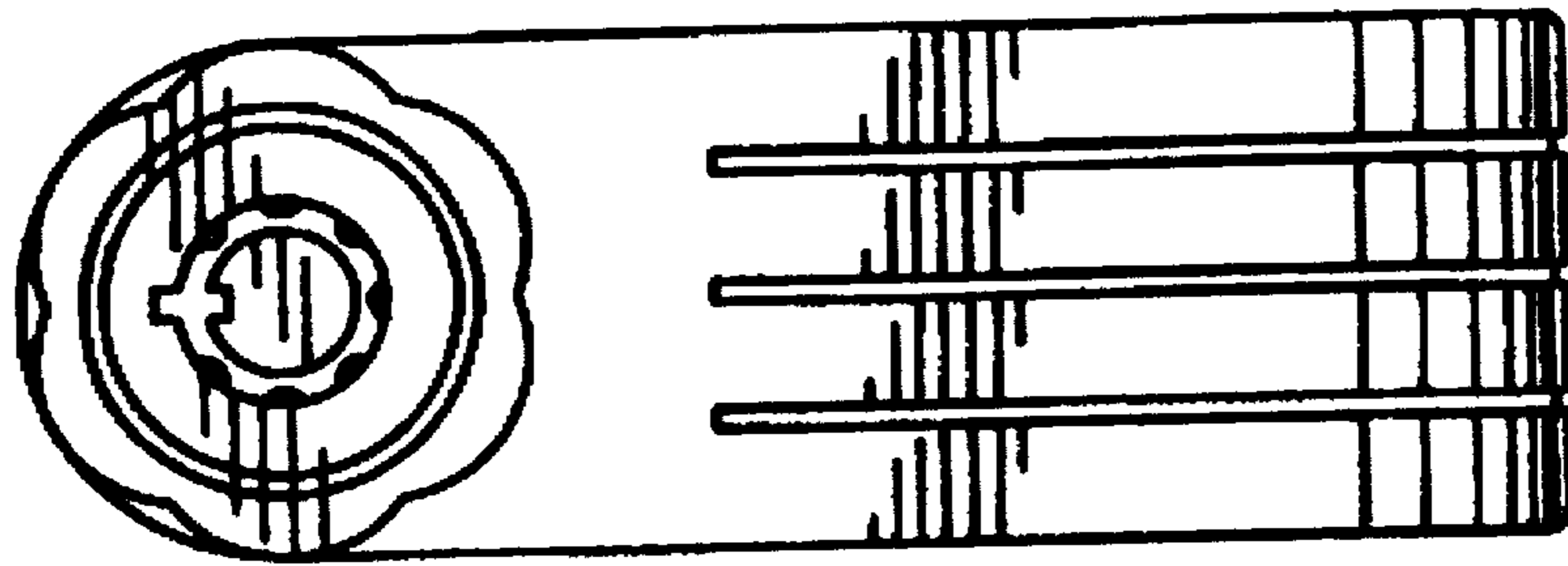


FIG. 6

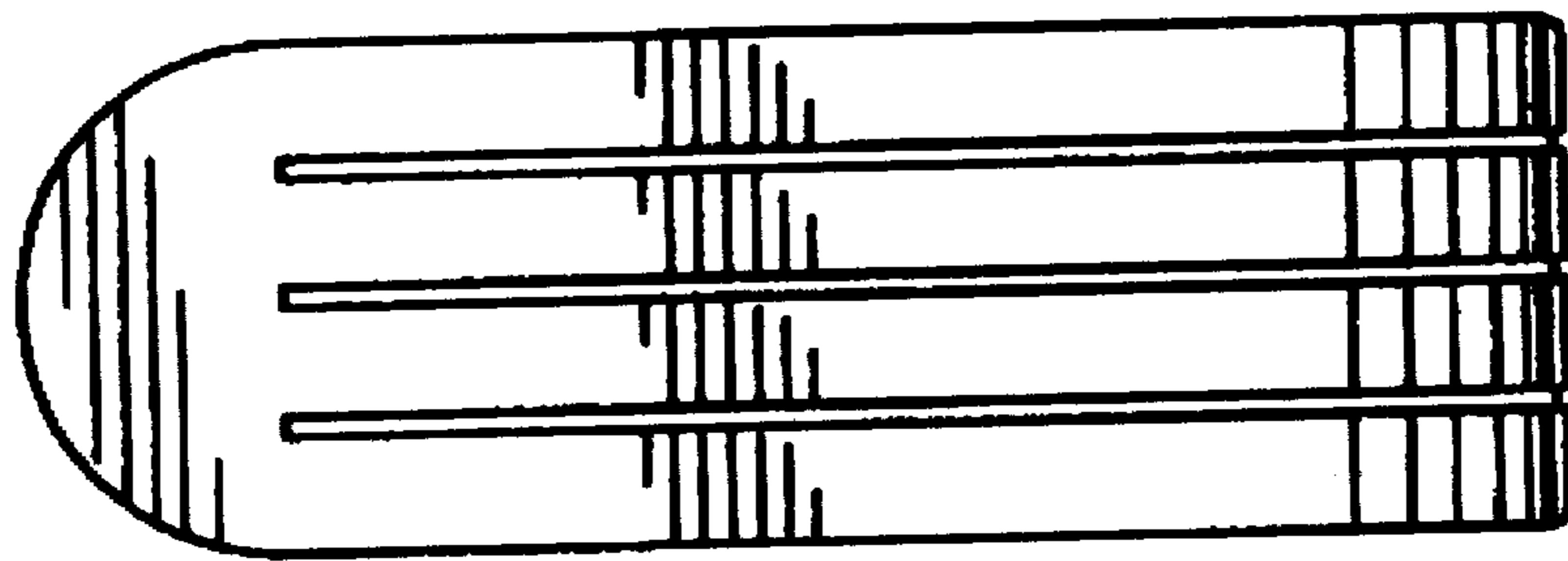


FIG. 7