



US00D389029S

**United States Patent** [19]  
**Grookett, Jr.**

[11] **Patent Number:** **Des. 389,029**  
[45] **Date of Patent:** **\*\*Jan. 13, 1998**

[54] **SLIDING WINDOW SECURITY LOCK**

[76] **Inventor:** **John K. Grookett, Jr.**, 2111 S. Howard St., Philadelphia, Pa. 19148

[\*\*] **Term:** **14 Years**

[21] **Appl. No.:** **51,068**

[22] **Filed:** **Mar. 1, 1996**

[51] **LOC (6) Cl.** ..... **08-07**

[52] **U.S. Cl.** ..... **D8/331**

[58] **Field of Search** ..... D8/330-331, 339,  
D8/343, 344, 346; 70/14, 89, 90, 91, 95;  
292/288, 289

[56] **References Cited**

**U.S. PATENT DOCUMENTS**

D. 364,330 11/1995 Virzi ..... D8/341  
2,912,268 11/1959 Markovich ..... 292/288 X

*Primary Examiner*—Brian N. Vinson  
*Attorney, Agent, or Firm*—Harold H. Dutton, Jr.

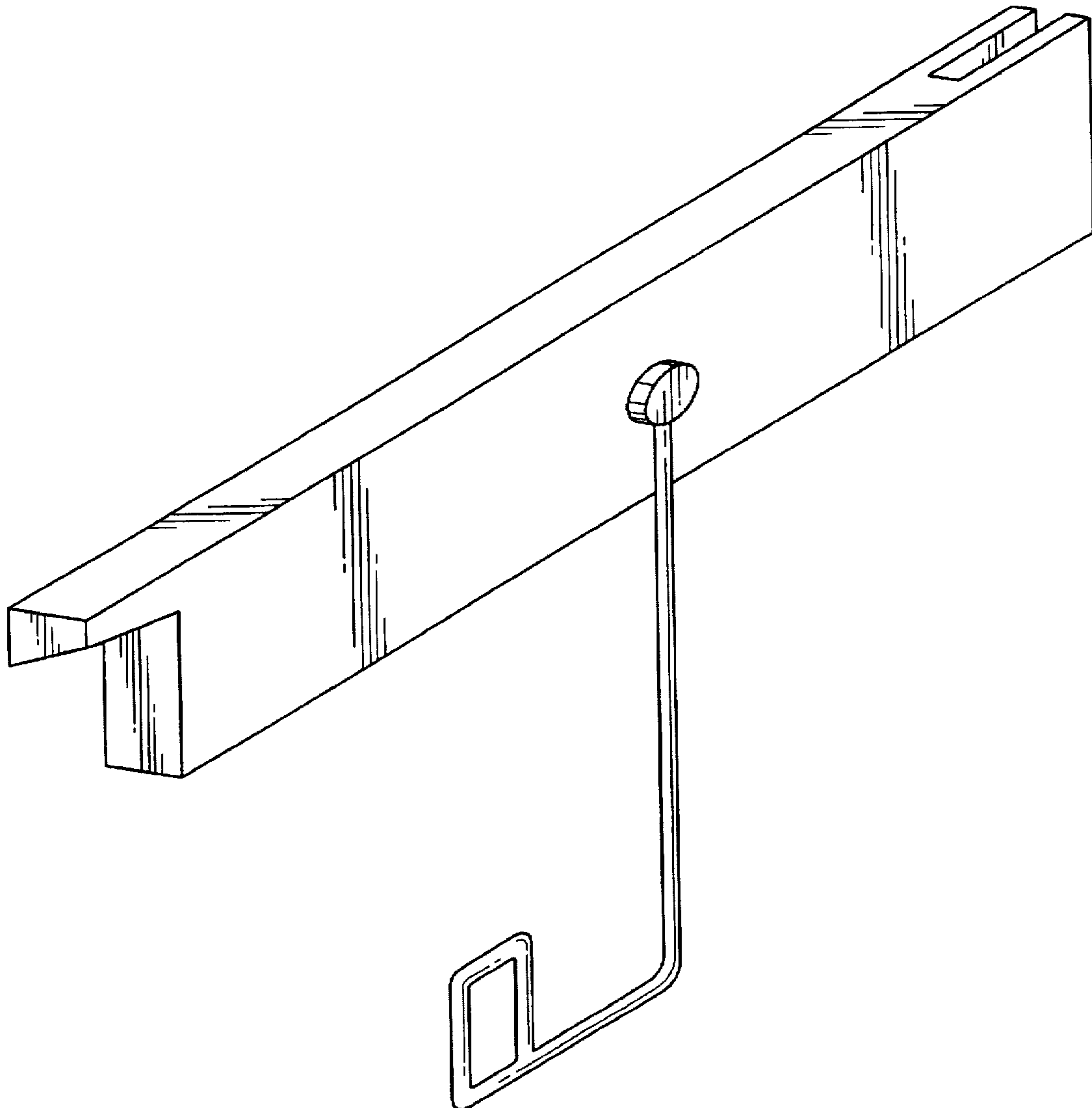
[57] **CLAIM**

The ornamental design for a sliding window security lock, as shown.

**DESCRIPTION**

FIG. 1 is a perspective view of a sliding window security lock showing my new design;  
FIG. 2 is a front view thereof;  
FIG. 3 is a rear view thereof;  
FIG. 4 is a top view thereof;  
FIG. 5 is a bottom view thereof;  
FIG. 6 is a left side view thereof; and,  
FIG. 7 is a right side view thereof.

**1 Claim, 5 Drawing Sheets**



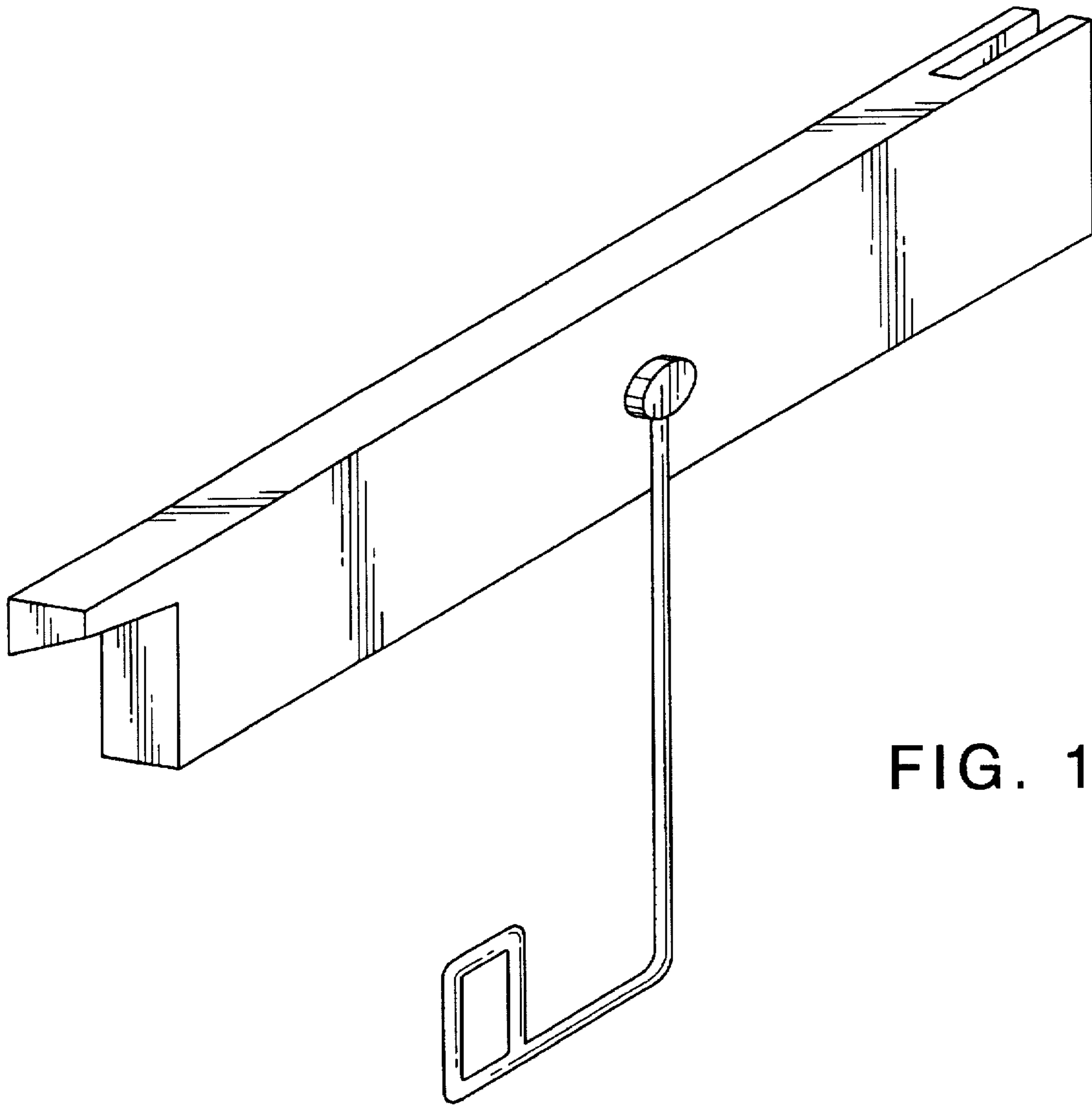


FIG. 1

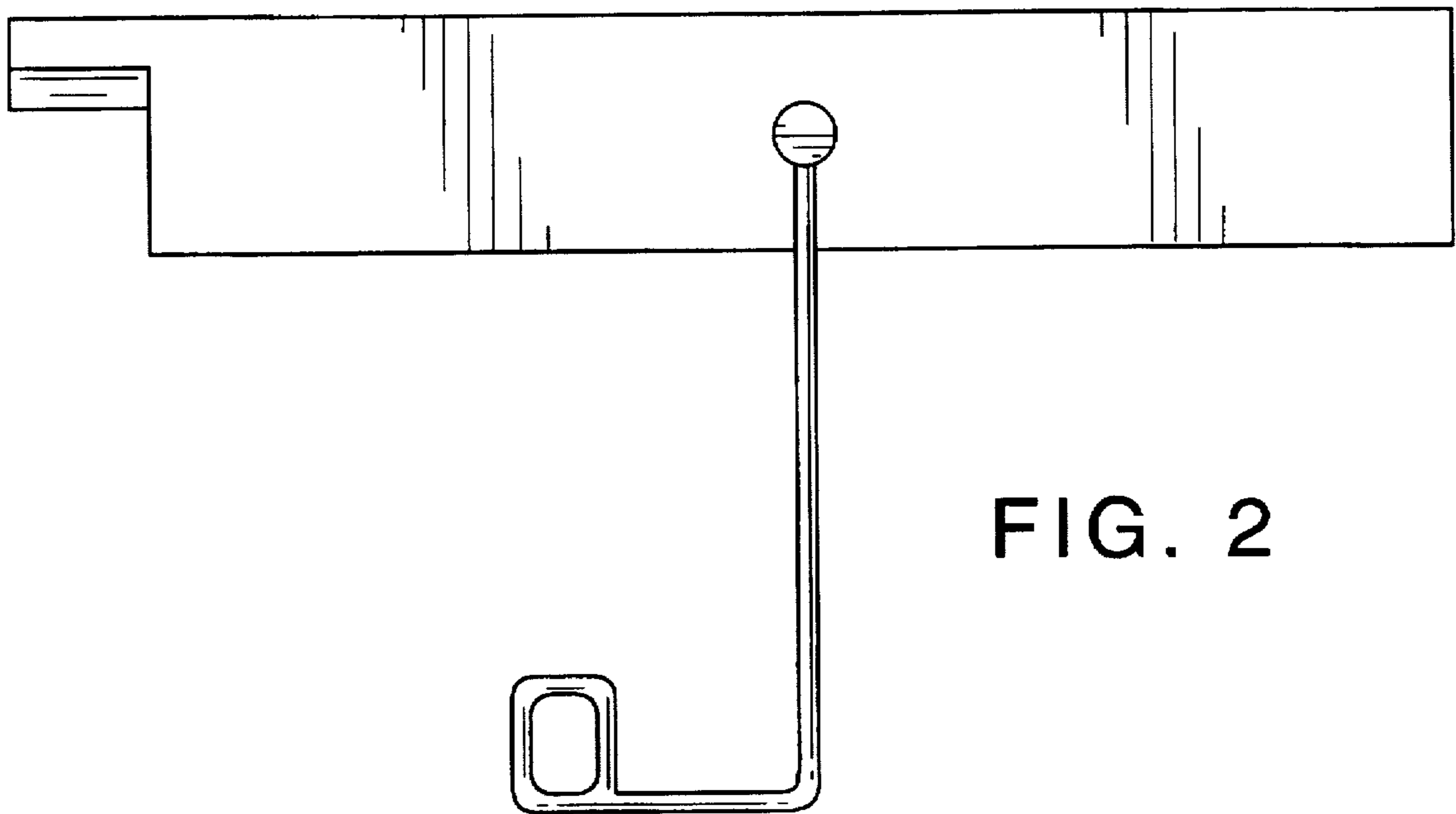


FIG. 2

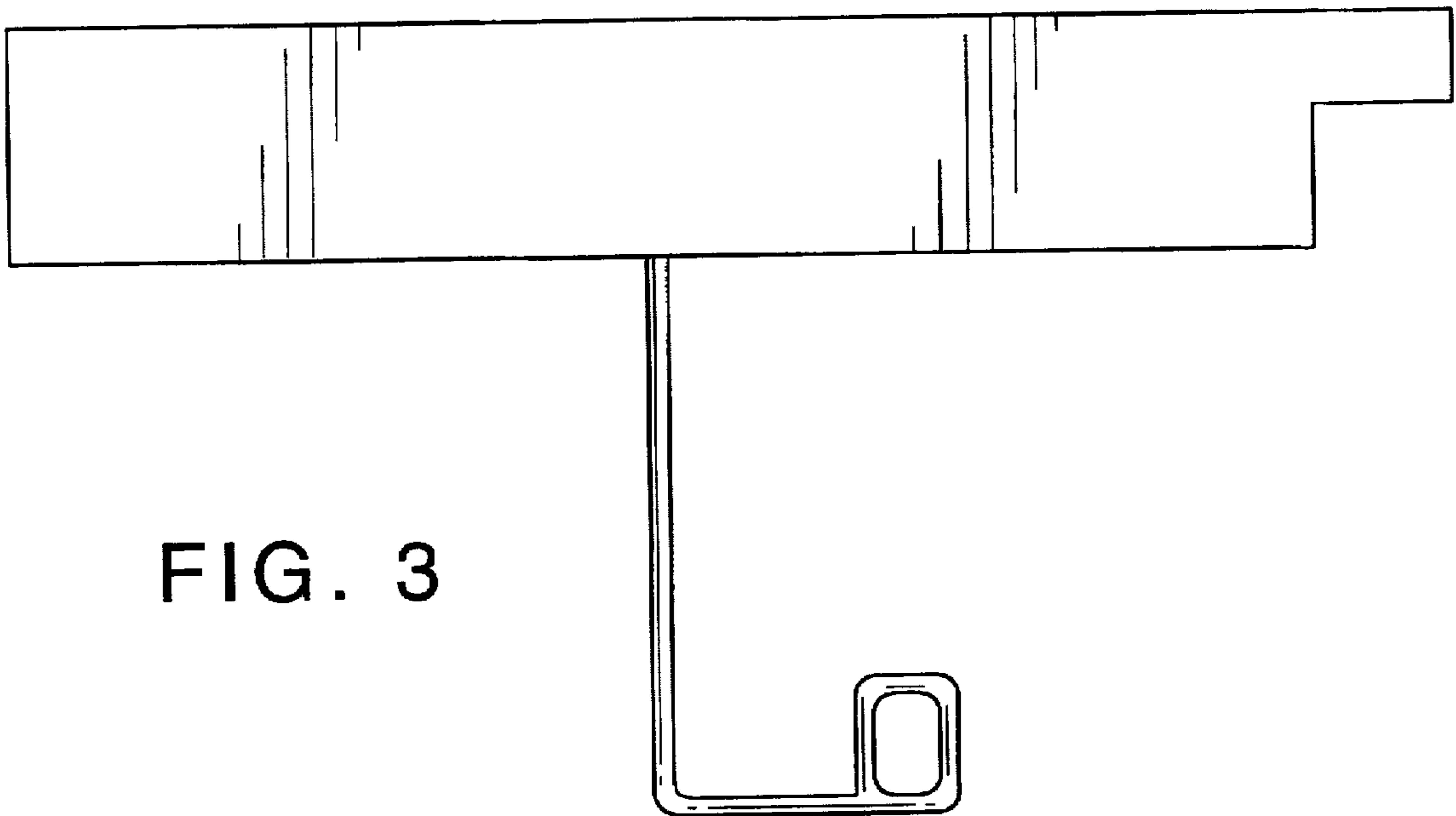


FIG. 3



FIG. 4

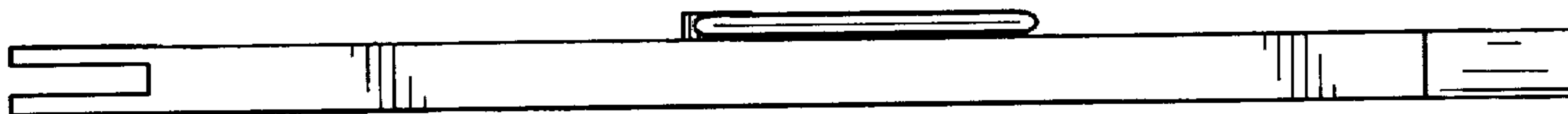


FIG. 5



FIG. 6



FIG. 7