



US00D389028S

United States Patent [19]
Muro

[11] **Patent Number:** **Des. 389,028**
[45] **Date of Patent:** ****Jan. 13, 1998**

[54] **SUCCESSIVE SCREW FEEDER DRIVER**

[75] **Inventor:** **Narahiko Muro, Tokyo, Japan**
[73] **Assignee:** **Muro Corporation, Tokyo, Japan**
[**] **Term:** **14 Years**

[21] **Appl. No.:** **48,151**
[22] **Filed:** **Dec. 21, 1995**

[30] **Foreign Application Priority Data**
Jun. 30, 1995 [JP] Japan 7-18969
[51] **LOC (6) Cl.** **08-04**
[52] **U.S. Cl.** **D8/68**
[58] **Field of Search** **D8/61, 68, 69;**
81/57.23, 57.37, 177.4, 433, 434, 435,
469

[56] **References Cited**
U.S. PATENT DOCUMENTS

5,109,738 5/1992 Farian et al. 81/434
5,186,085 2/1993 Monacelli 81/434

FOREIGN PATENT DOCUMENTS

752815 10/1988 Japan .

Primary Examiner—James Gandy
Assistant Examiner—Robert M. Spear
Attorney, Agent, or Firm—Sughrue, Mion, Zinn, Macpeak
& Seas, PLLC

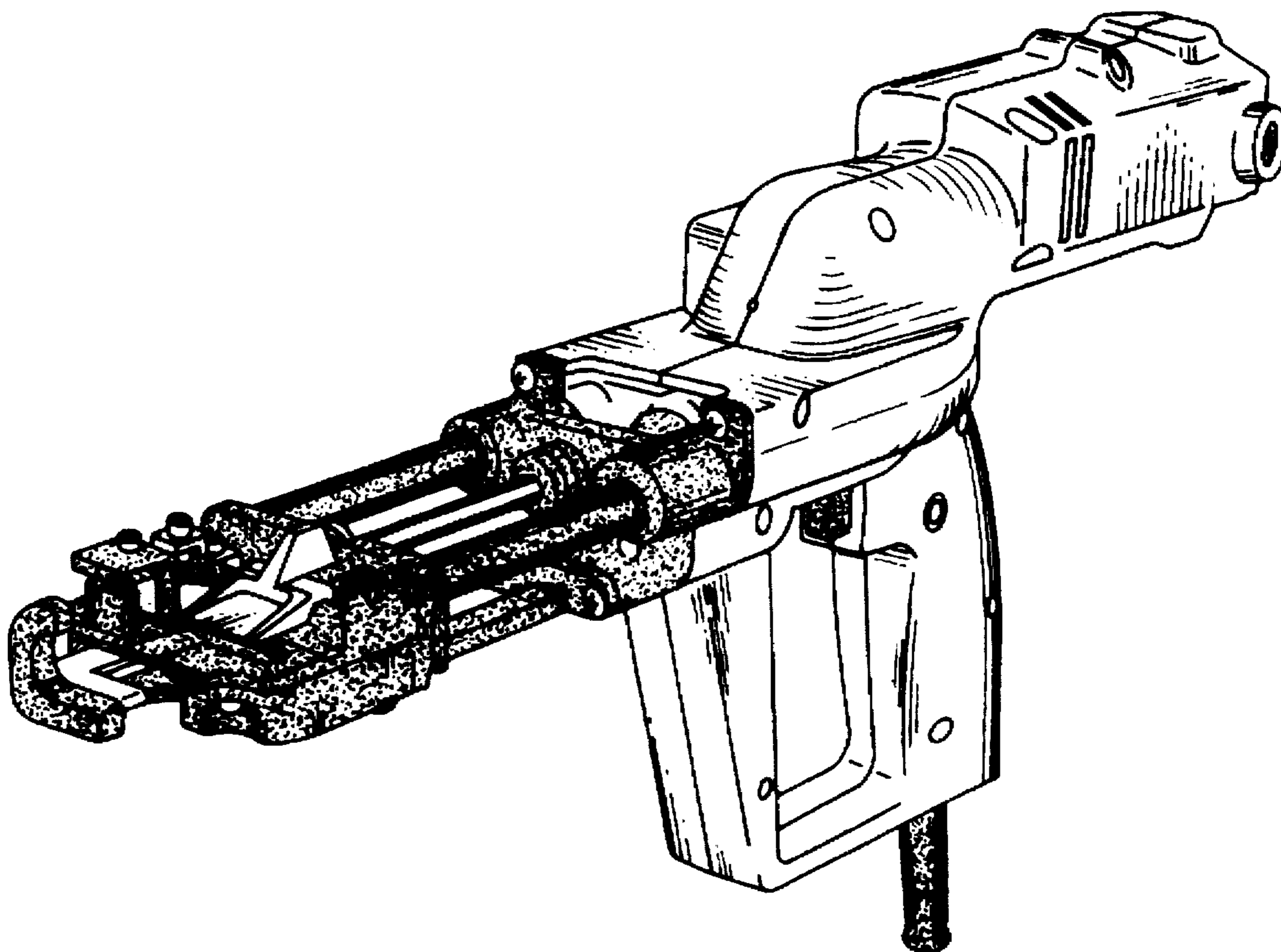
[57] **CLAIM**

The ornamental design for a successive screw feeder driver, as shown.

DESCRIPTION

FIG. 1 is a perspective view of the front, top and right side of a successive screw feeder driver showing my new design; FIG. 2 is a right side elevational view thereof; FIG. 3 is a left side elevational view thereof; FIG. 4 is a front elevational view thereof; FIG. 5 is a rear elevational view thereof; FIG. 6 is a top plan view thereof; and, FIG. 7 is a bottom plan view thereof.

1 Claim, 7 Drawing Sheets



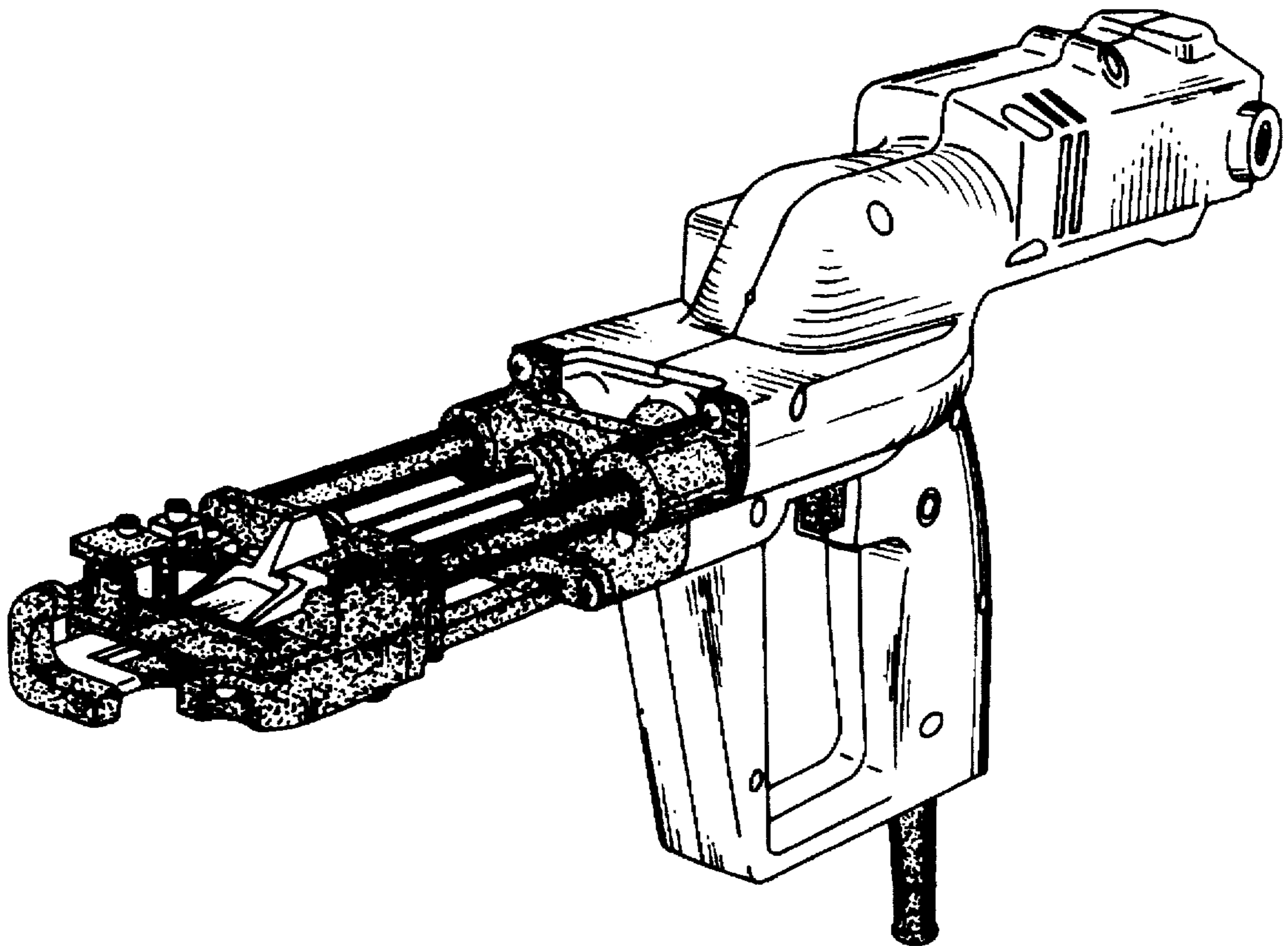


Fig. 1

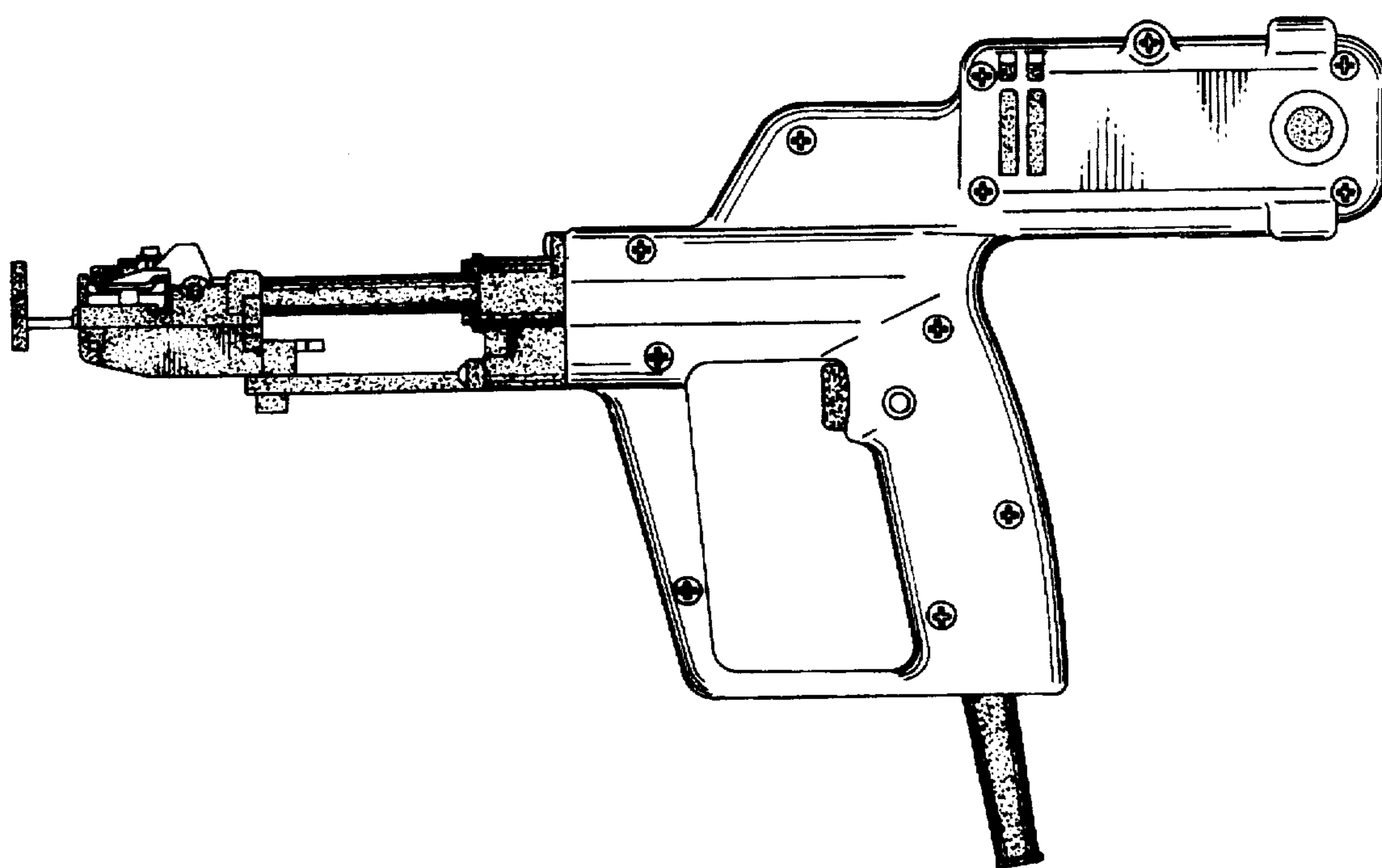


Fig.2

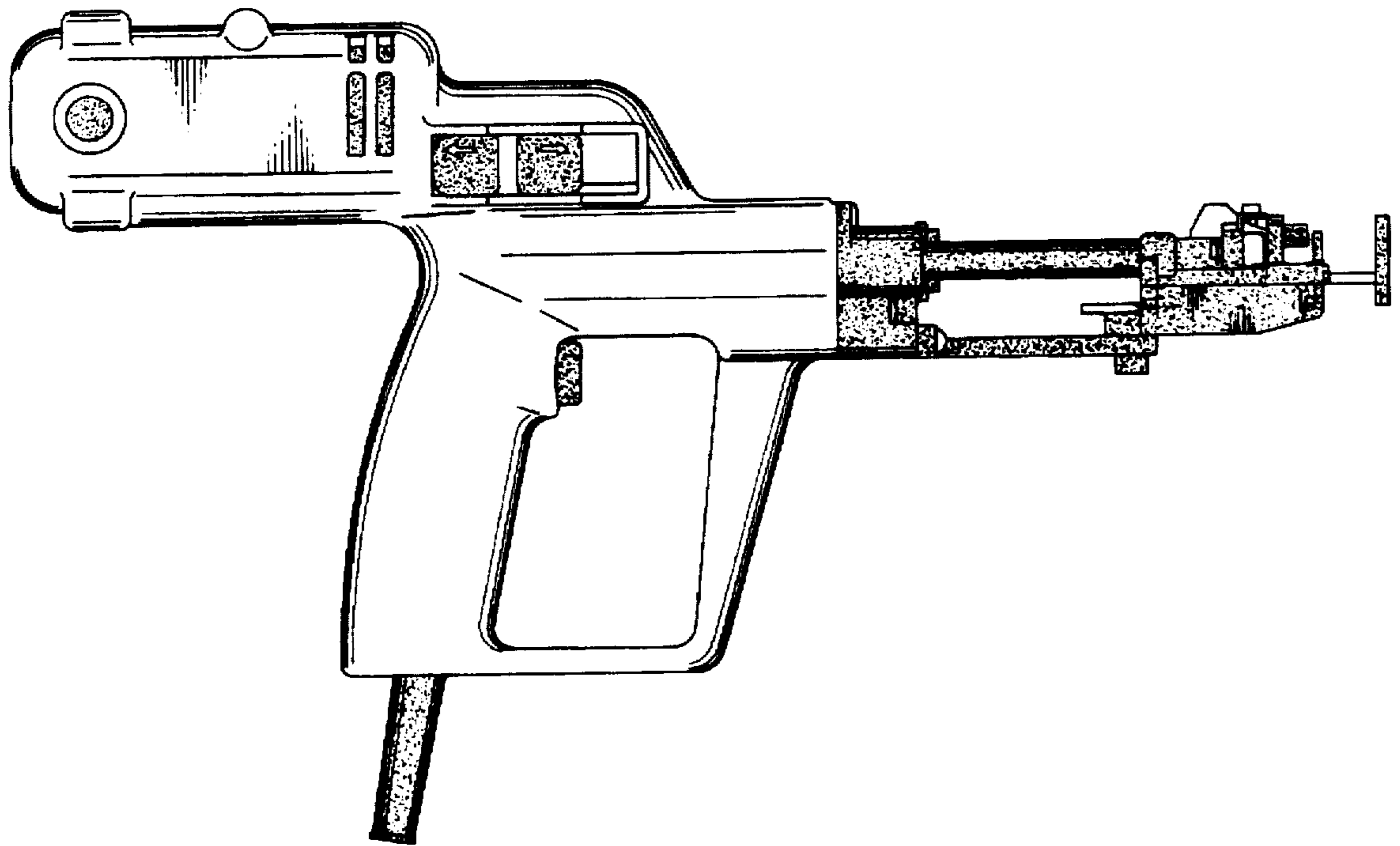


Fig.3

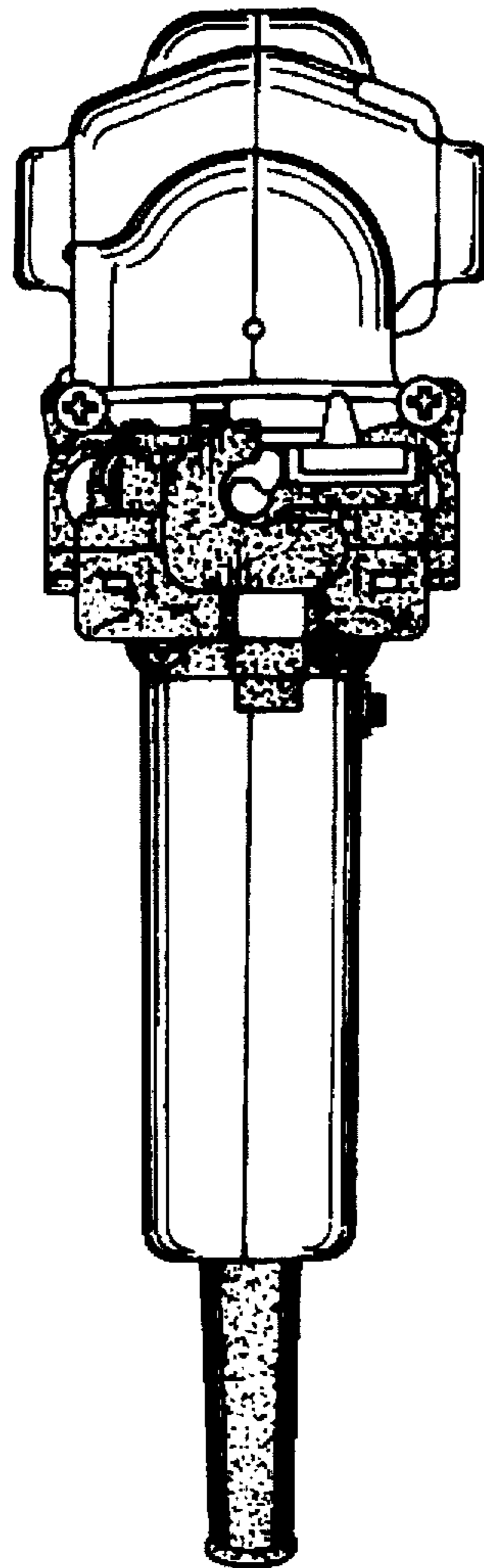


Fig. 4

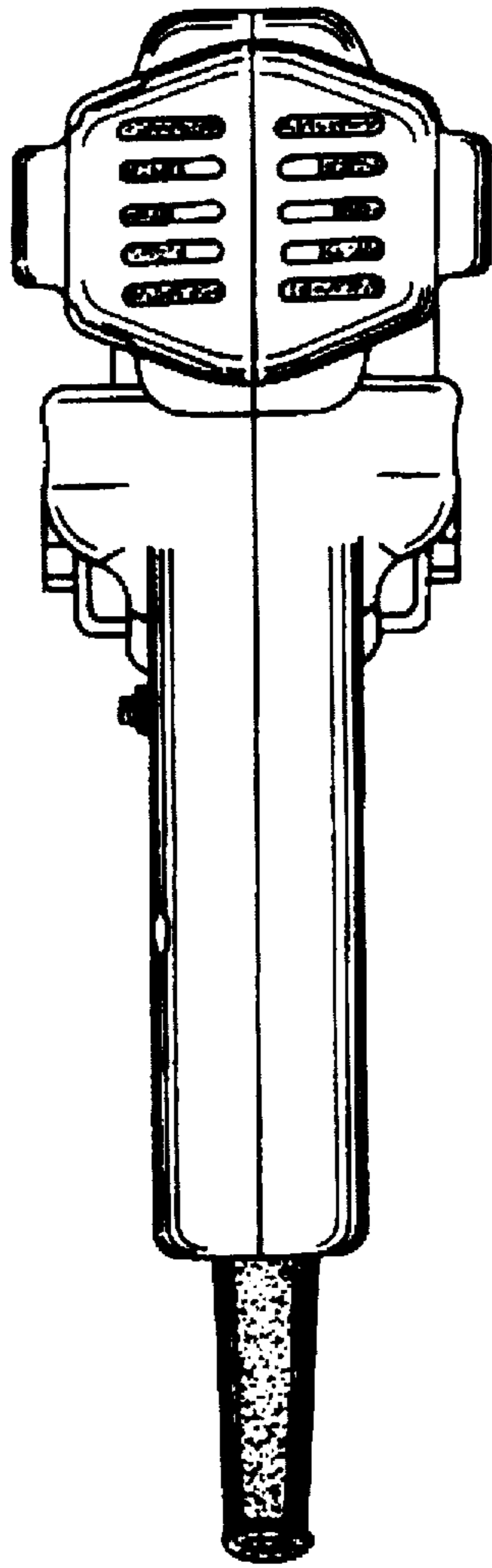


Fig. 5

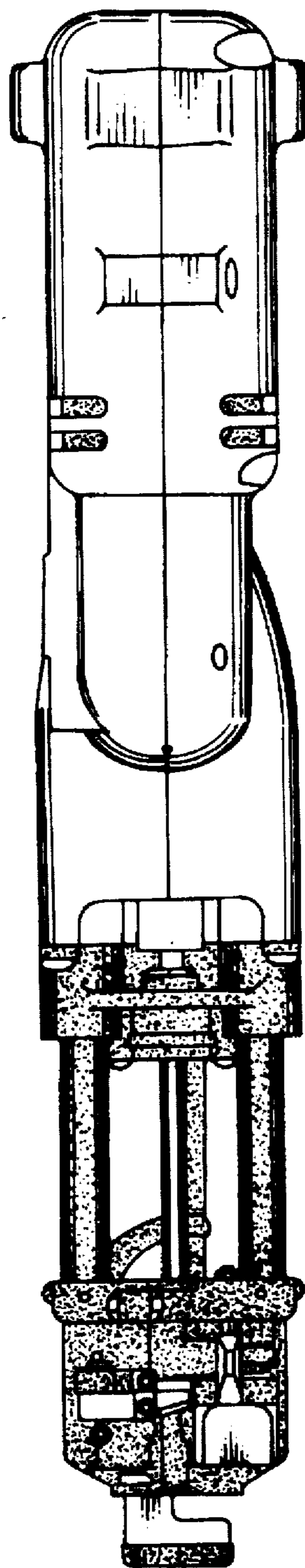


Fig. 6

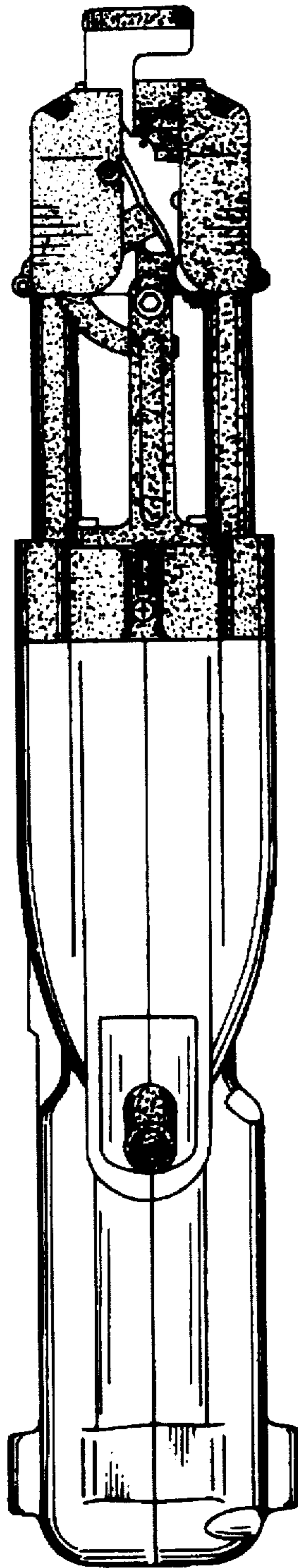


Fig. 7