



US00D389026S

United States Patent [19]

Amano et al.

[11] Patent Number: **Des. 389,026**

[45] Date of Patent: ****Jan. 13, 1998**

[54] **PORTABLE ELECTRIC CHAIN SAW**

D. 365,262 12/1995 Beaulieu et al. D8/65

[75] Inventors: **Kunio Amano; Kazuya Nakamura; Makoto Mizutani; Hideki Abe**, all of Anjo, Japan

Primary Examiner—Antoine Duval Davis
Attorney, Agent, or Firm—Dennison, Meserole, Pollack & Scheiner

[73] Assignee: **Makita Corporation**, Aichi-ken, Japan

[57] CLAIM

[**] Term: **14 Years**

The ornamental design for a portable electric chain saw, as shown and described.

[21] Appl. No.: **61,319**

[22] Filed: **Oct. 21, 1996**

DESCRIPTION

[30] Foreign Application Priority Data

Apr. 23, 1996 [JP] Japan 8-11999

FIG. 1 is a perspective view of a portable electric chain saw showing our new design;

[51] LOC (6) Cl. **08-03**

FIG. 2 is a front elevational view thereof;

[52] U.S. Cl. **D8/65**

FIG. 3 is a rear elevational view thereof;

[58] Field of Search D8/64, 65; 30/381-383; 83/788, 814

FIG. 4 is a left side elevational view thereof;

FIG. 5 is a right side elevational view thereof;

FIG. 6 is a top plan view thereof; and,

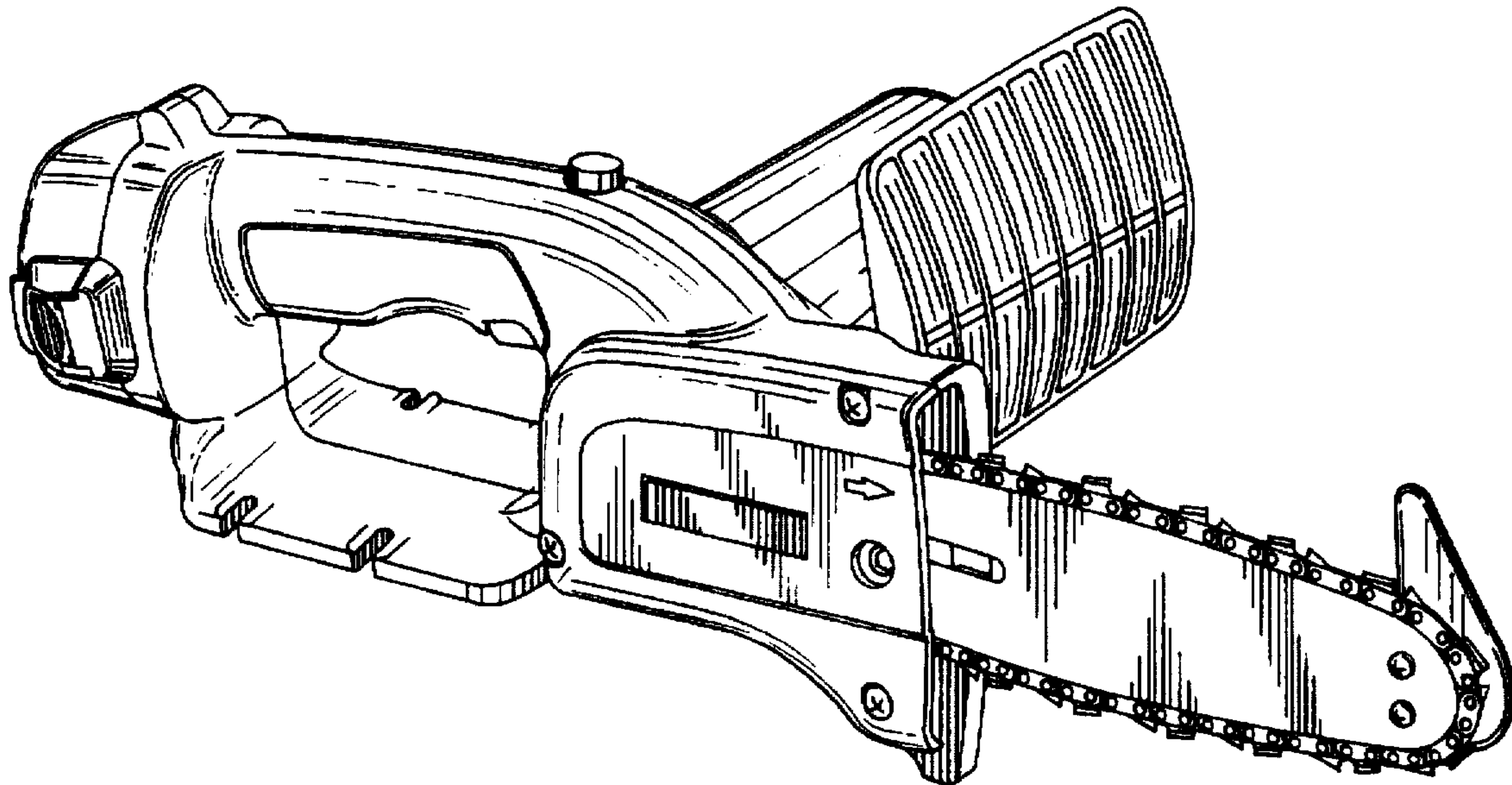
FIG. 7 is a bottom plan view thereof.

[56] References Cited

U.S. PATENT DOCUMENTS

D. 342,424 12/1993 Vossoughi et al. .

1 Claim, 4 Drawing Sheets



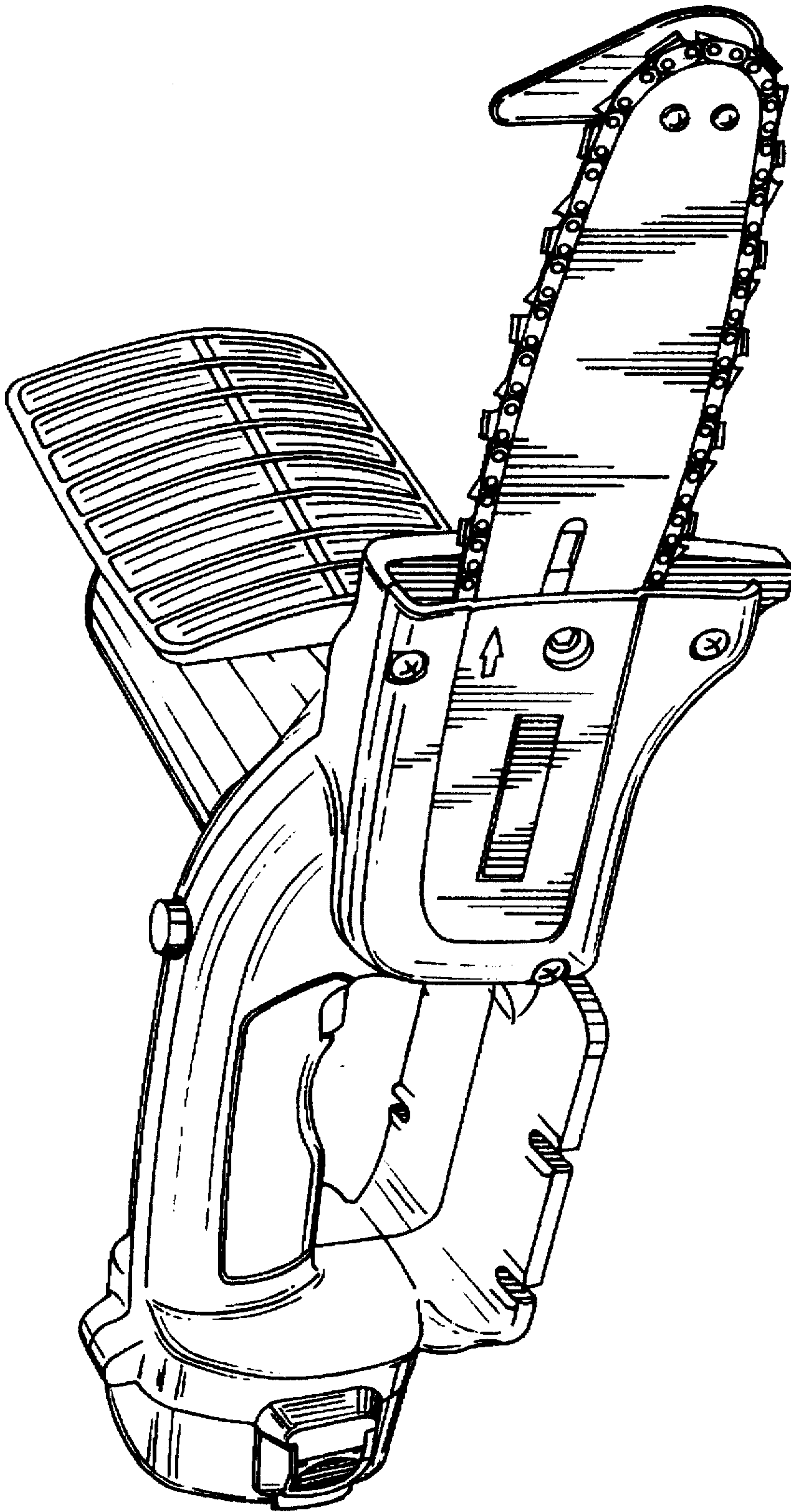


FIG. 1

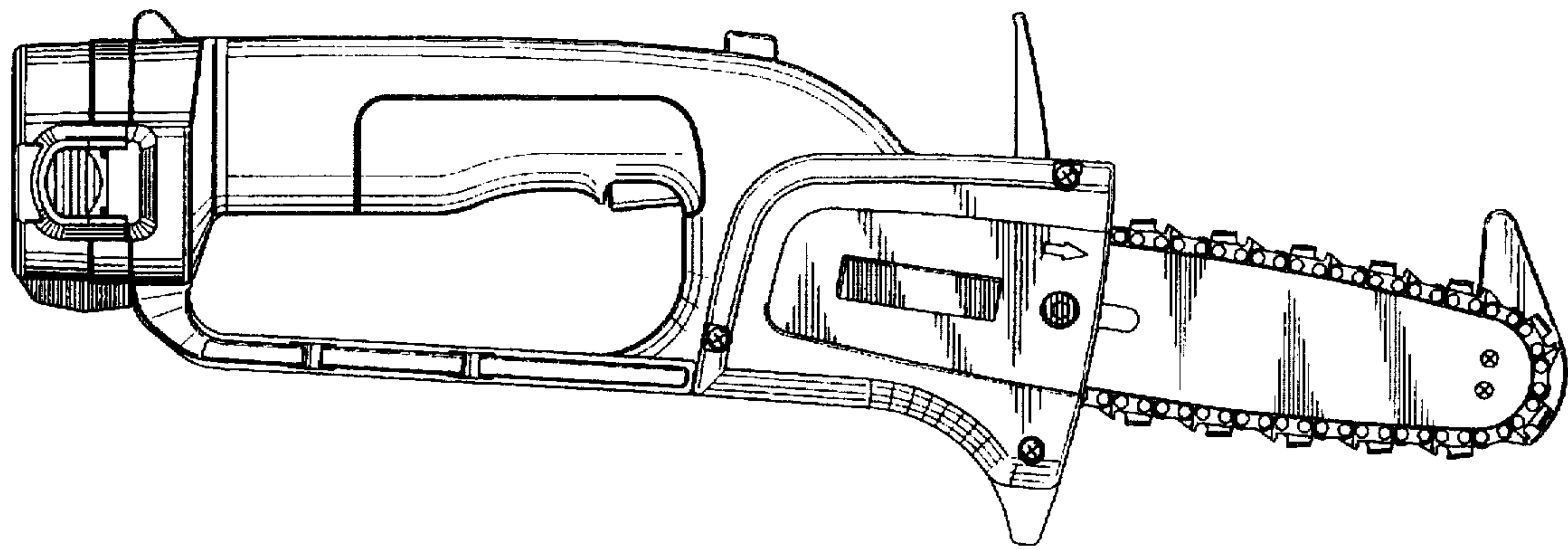


FIG. 2

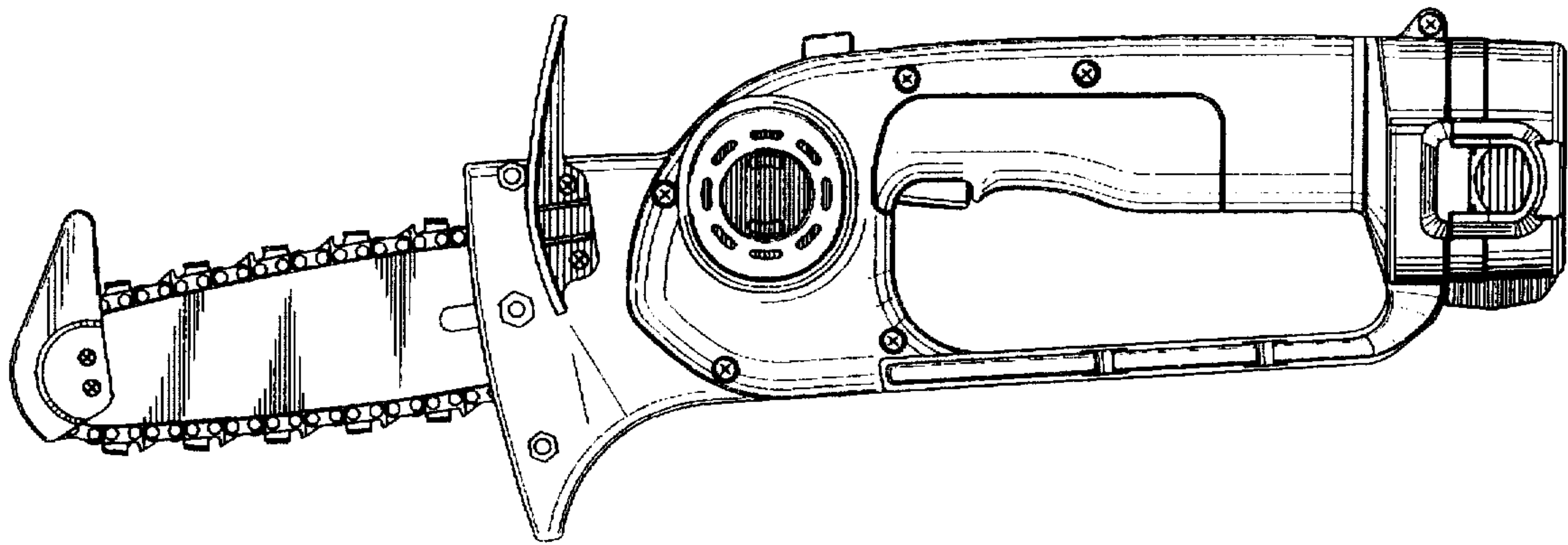


FIG. 3

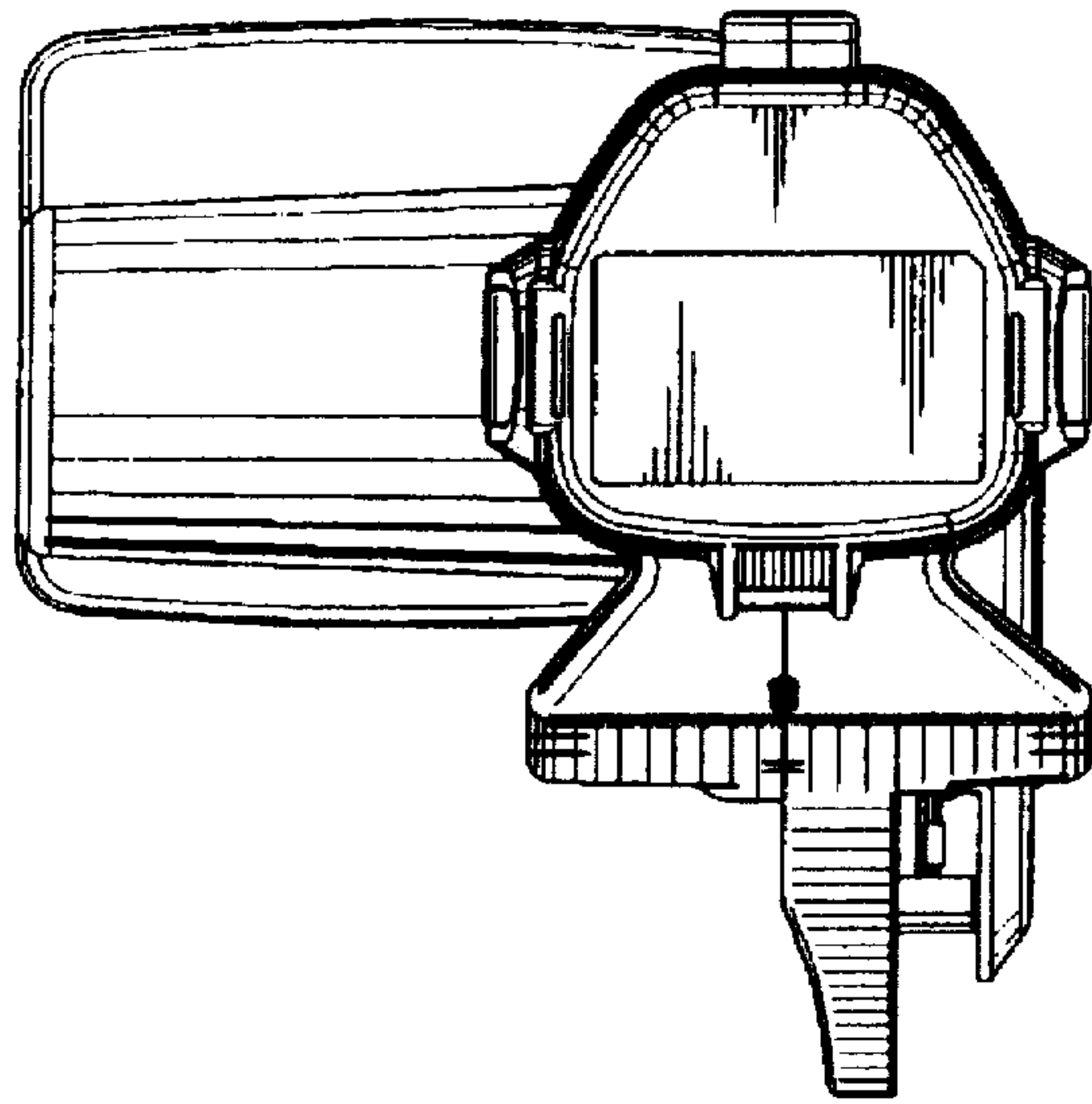


FIG. 4

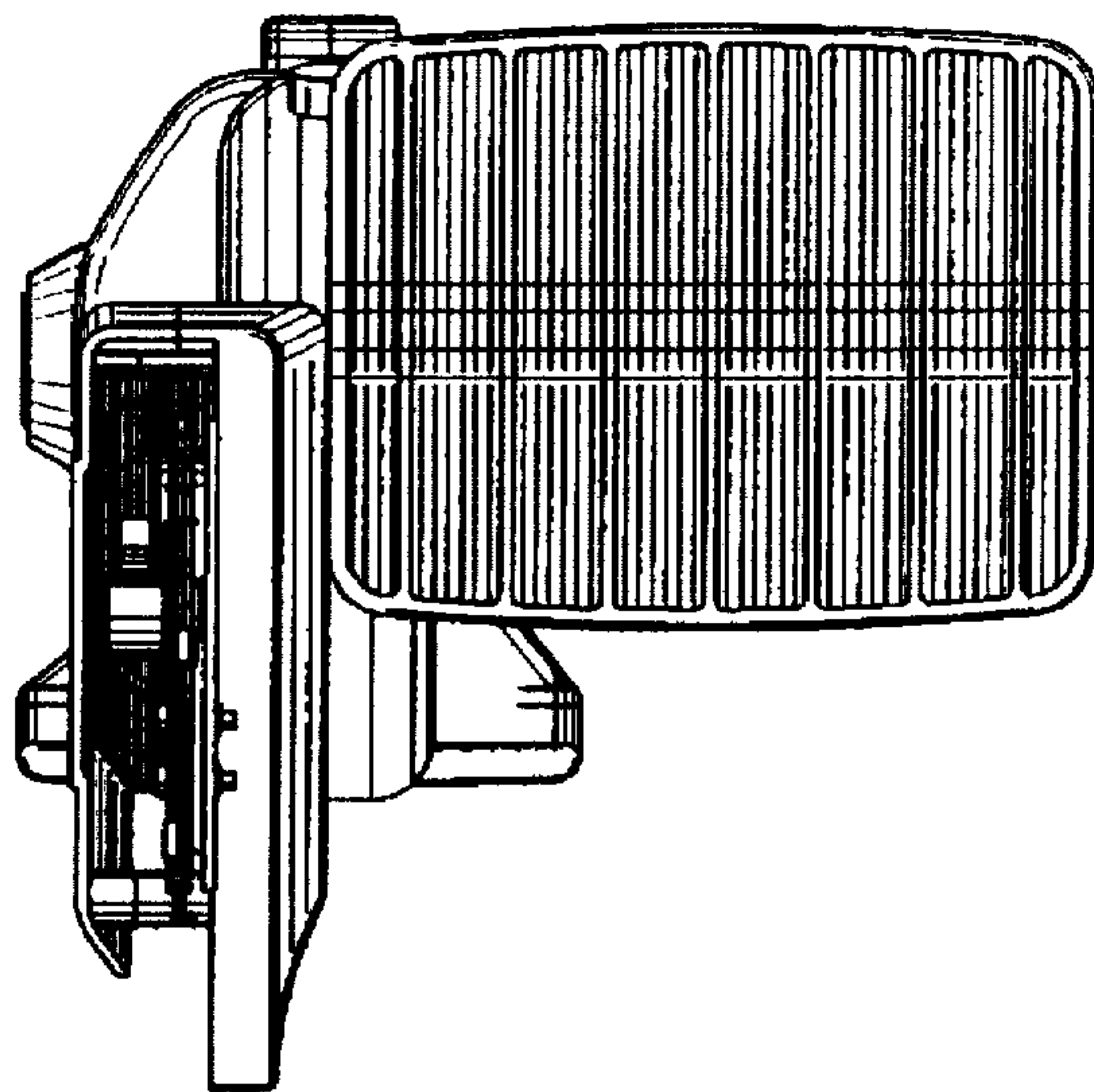


FIG. 5

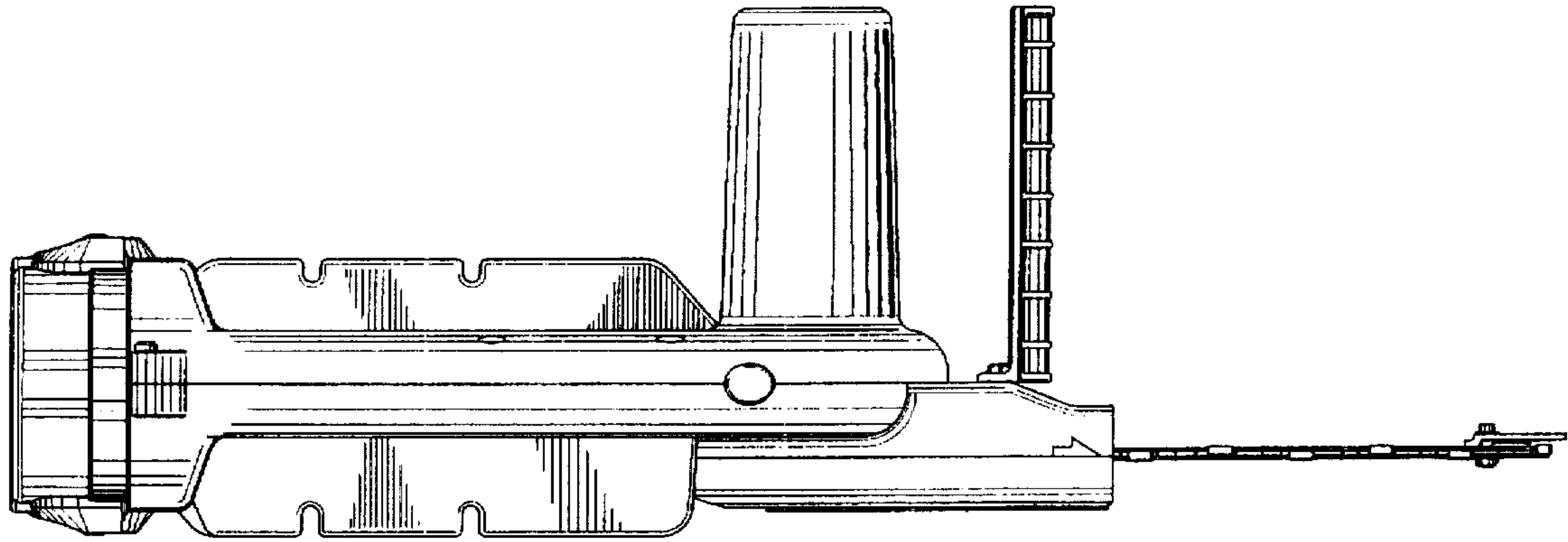


FIG. 6

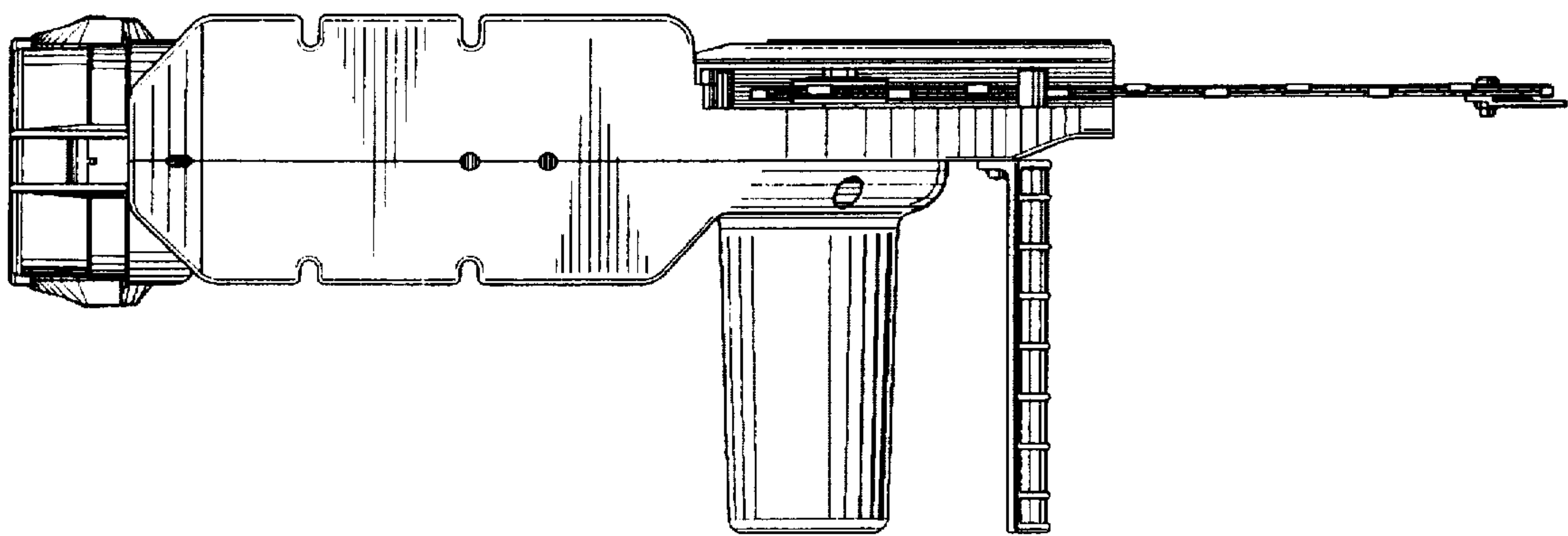


FIG. 7