



US00D389020S

# United States Patent [19]

[11] Patent Number: **Des. 389,020**

**LaJoie**

[45] Date of Patent: **\*\*Jan. 13, 1998**

[54] **BEVERAGE/FOOD HOLDER**

5,234,125 8/1993 Roberts ..... 220/574  
5,249,700 10/1993 Dumke ..... 220/574

[76] Inventor: **Donald L. LaJoie**, 18 Senga Rd., South Norwalk, Conn. 06854

*Primary Examiner*—Terry A. Wallace  
*Attorney, Agent, or Firm*—Edward R. Hyde

[\*\*] Term: **14 Years**

[57] **CLAIM**

[21] Appl. No.: **60,497**

The ornamental design for a beverage/food holder, as shown and described.

[22] Filed: **Sep. 30, 1996**

### DESCRIPTION

[51] LOC (6) Cl. .... **07-06**

[52] U.S. Cl. .... **D7/701; D7/555**

[58] Field of Search ..... **D7/550, 553, 555, D7/557, 701; 220/574, 23.83, 23.86; 206/563, 217, 557, 558; 215/395**

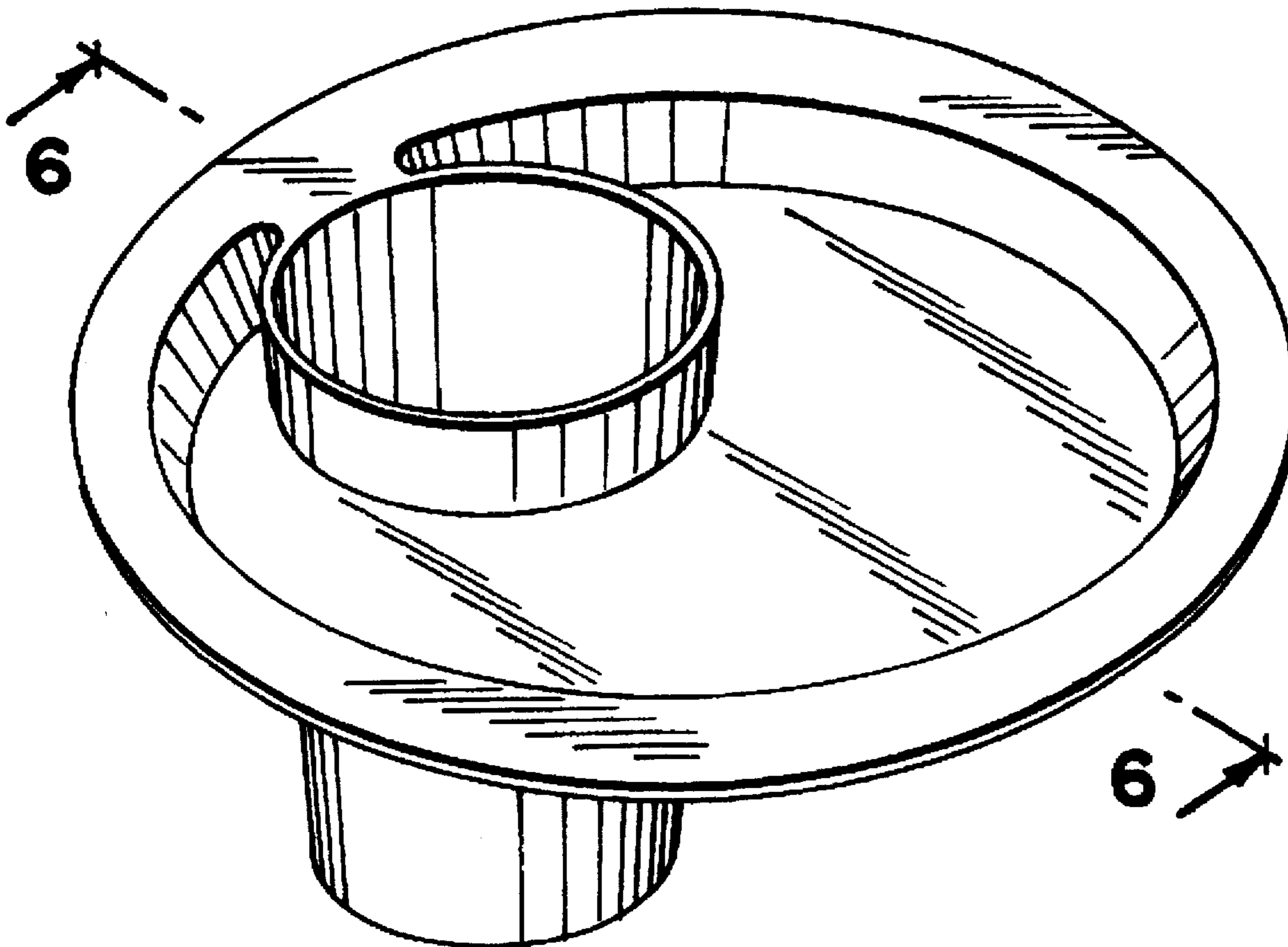
FIG. 1 is a perspective view of a beverage/food holder showing my new design;  
FIG. 2 is a top plan view thereof;  
FIG. 3 is a side elevation view thereof;  
FIG. 4 is a front elevation view thereof;  
FIG. 5 is a bottom plan view thereof; and,  
FIG. 6 is a cross-sectional view taken along line 6—6 of FIG. 1.

### [56] References Cited

#### U.S. PATENT DOCUMENTS

2,920,804 1/1960 Minton ..... 215/395 X  
4,989,742 2/1991 Powell ..... 220/23.83 X

**1 Claim, 2 Drawing Sheets**



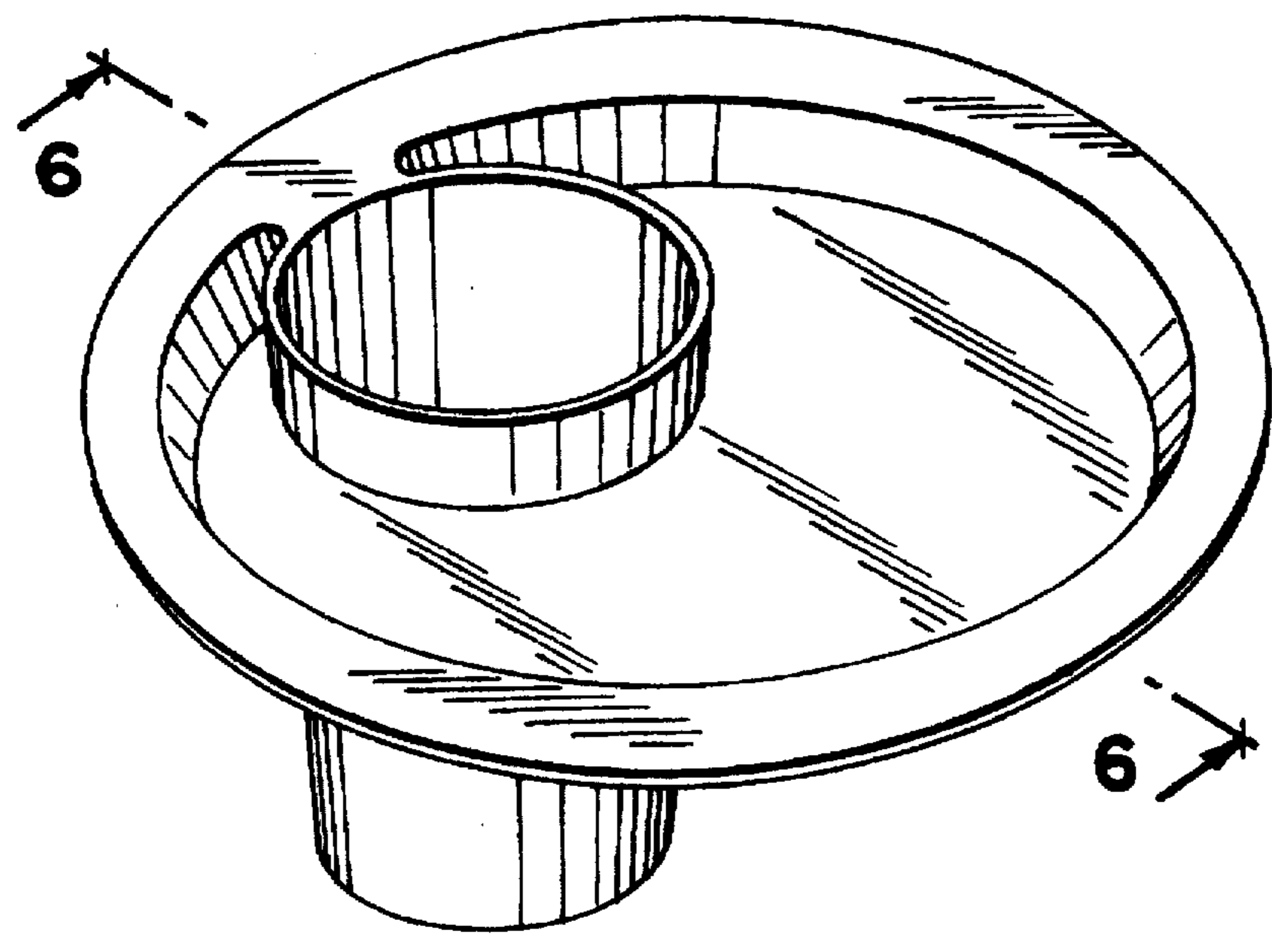


FIG. 1

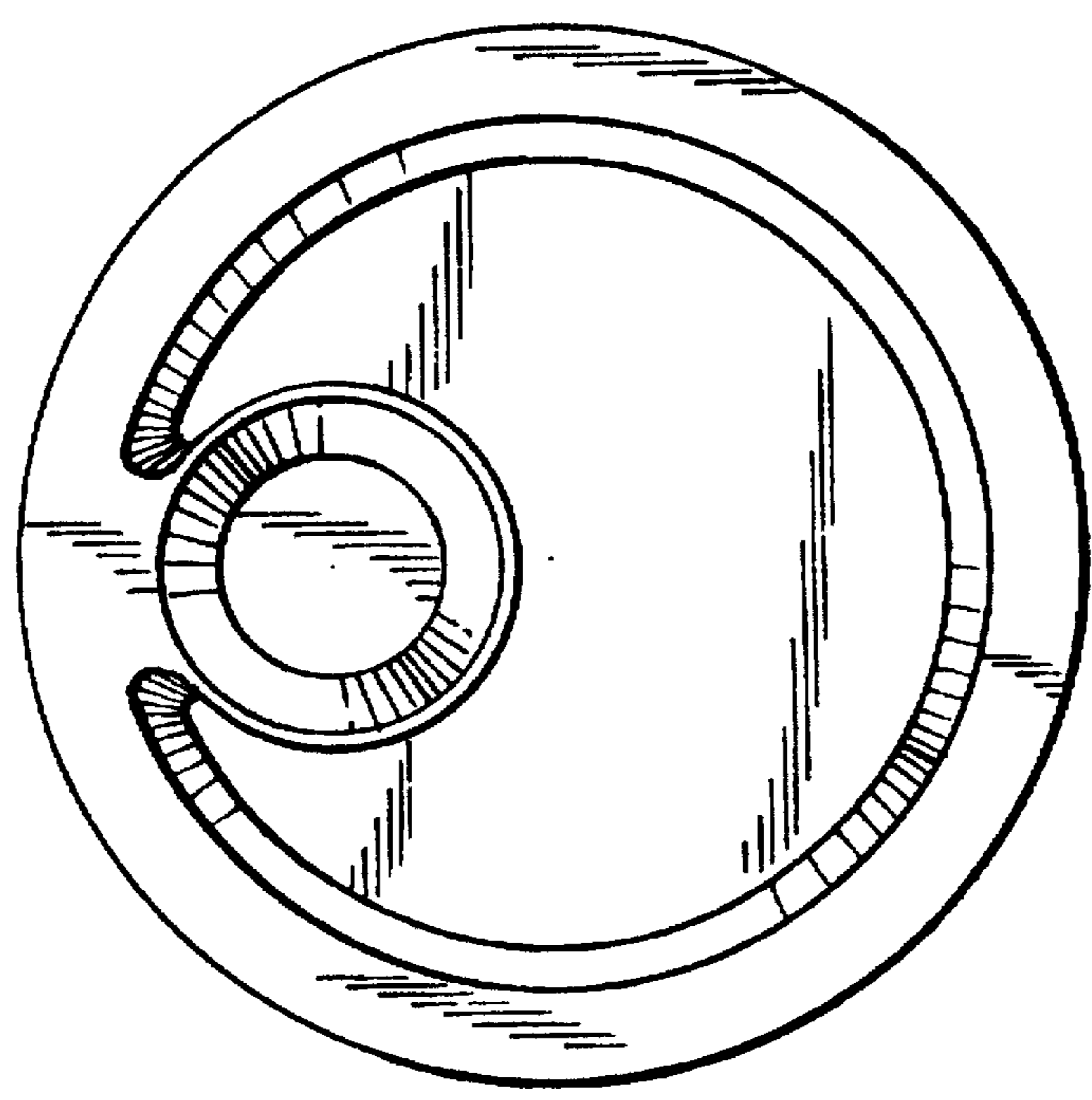


FIG. 2

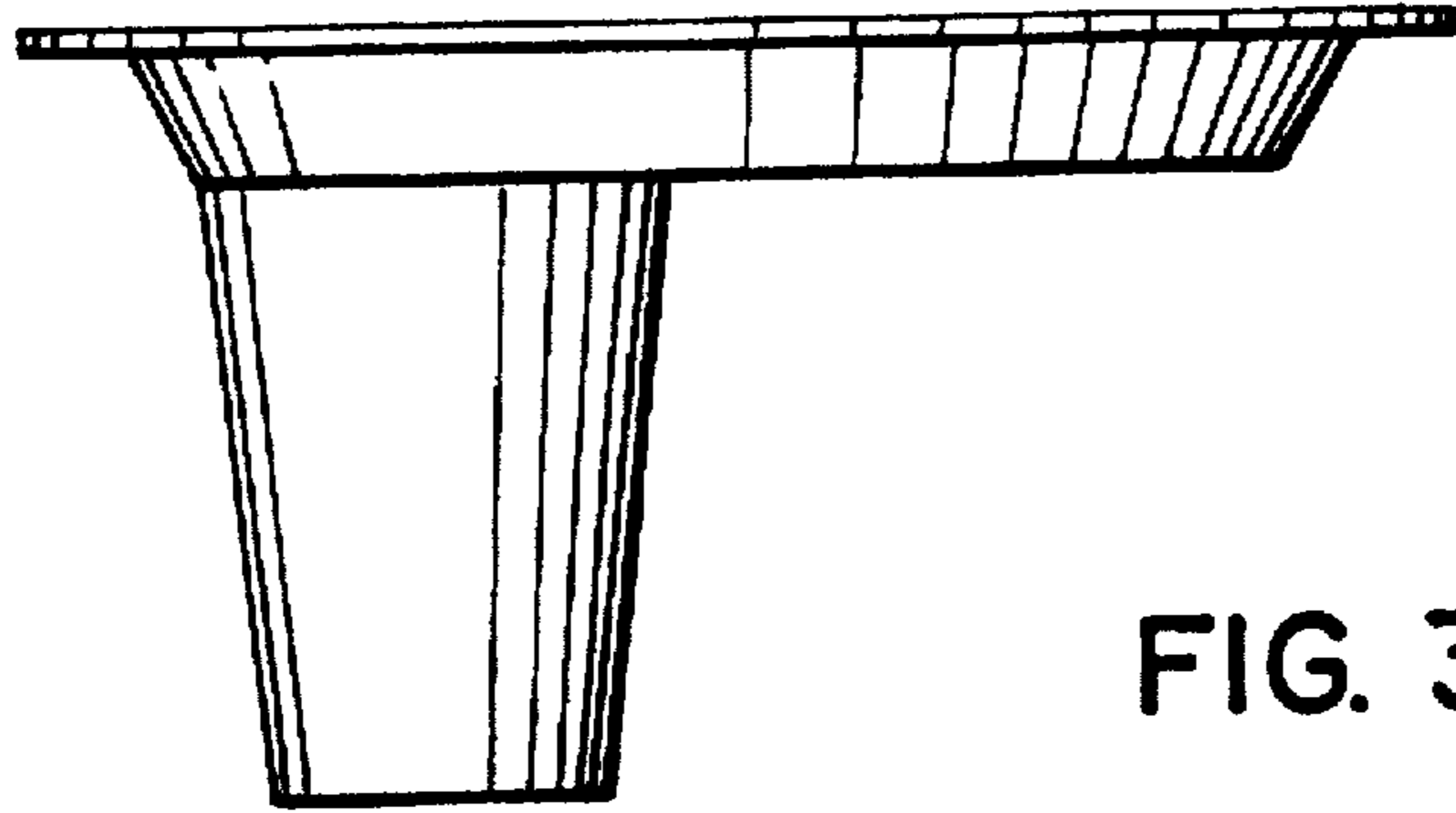


FIG. 3

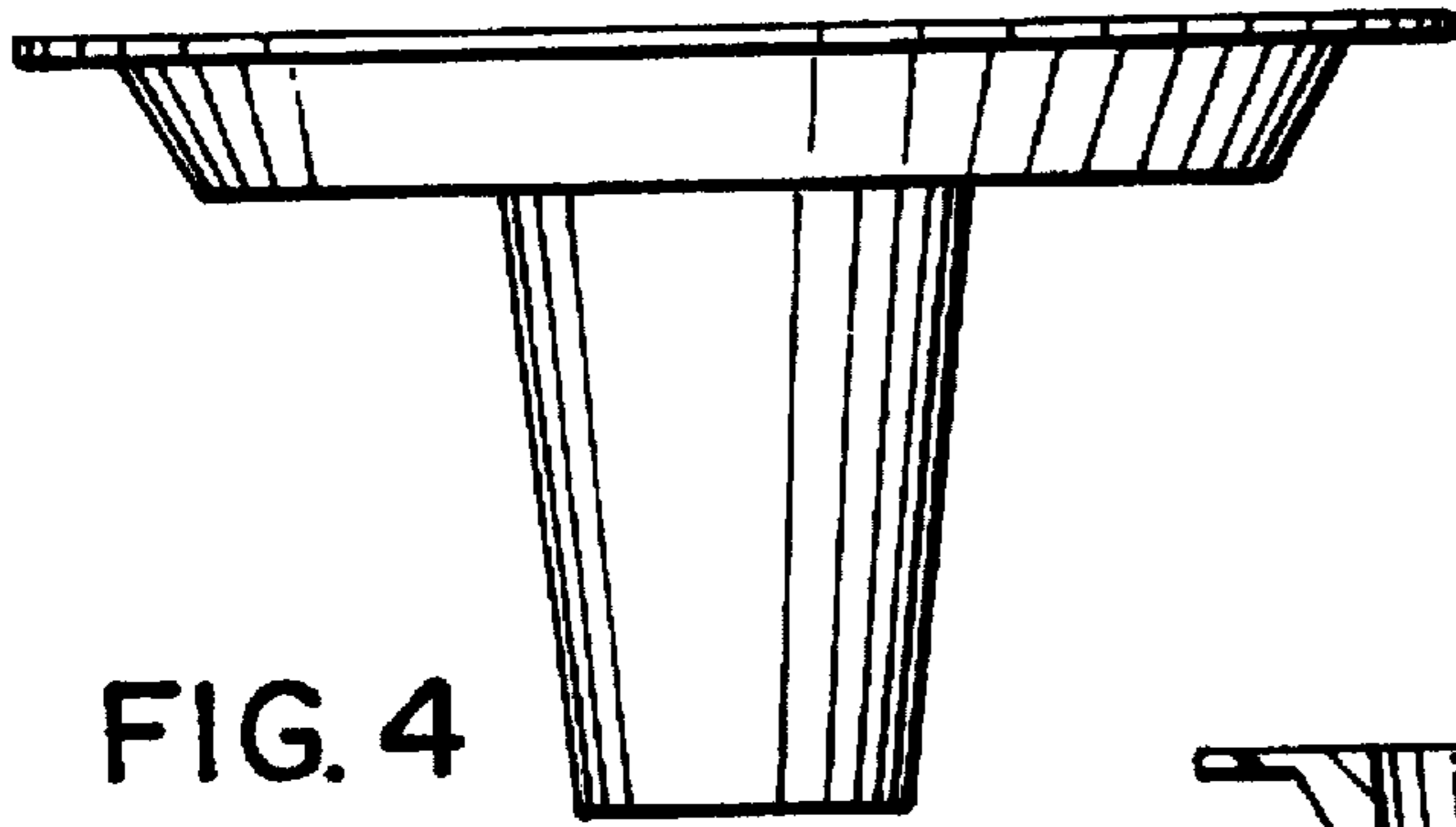


FIG. 4

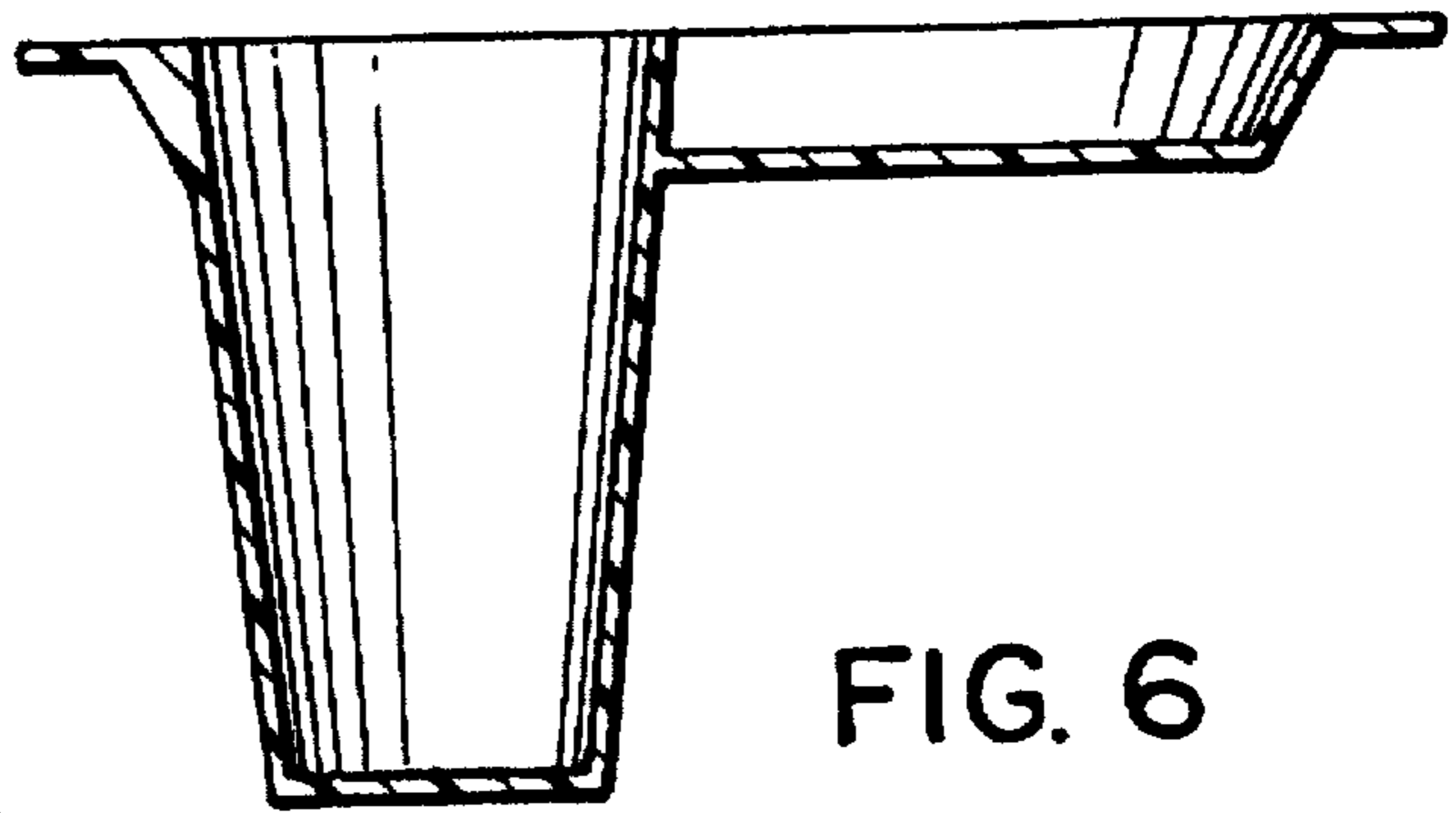


FIG. 6

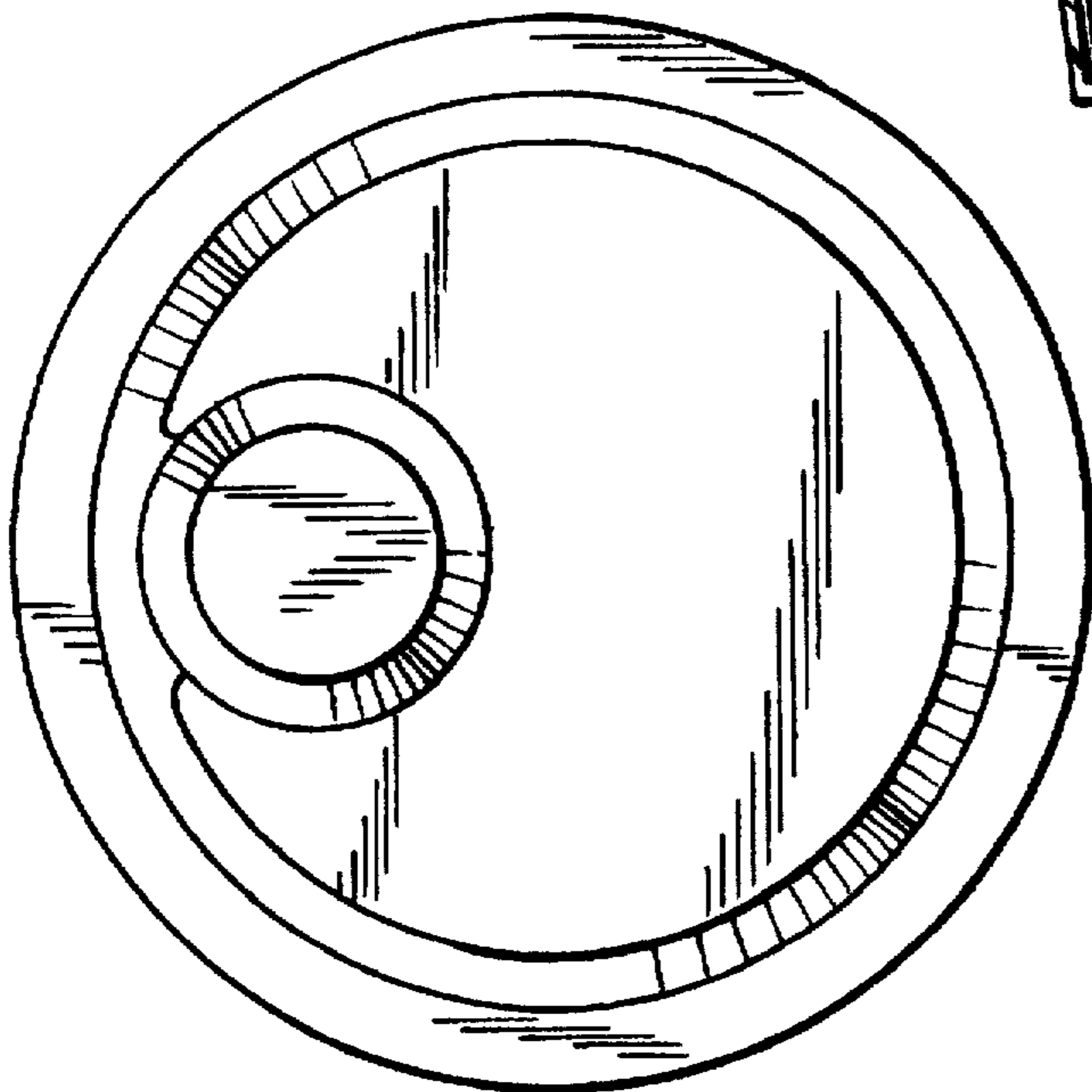


FIG. 5