



US00D389019S

United States Patent [19]

Molo

[11] Patent Number: **Des. 389,019**

[45] Date of Patent: ****Jan. 13, 1998**

[54] **CHEESE GRATER**

[75] Inventor: **Nicholas J. Molo**, Aldinga Beach, Australia

[73] Assignee: **Dart Industries Inc.**, Orlando, Fla.

[**] Term: **14 Years**

[21] Appl. No.: **47,048**

[22] Filed: **Dec. 19, 1995**

[51] LOC (6) Cl. **07-04**

[52] U.S. Cl. **D7/678**

[58] Field of Search **D7/678; 241/95, 241/168, 273.1-273.4, 274**

[56] **References Cited**

U.S. PATENT DOCUMENTS

- D. 331,687 12/1992 Gilbert .
- D. 343,098 1/1994 Shun .
- D. 343,099 1/1994 So .
- 5,083,734 1/1992 Ancona et al. .
- 5,312,054 5/1994 Feer et al. .

OTHER PUBLICATIONS

Chef Line—Gripy, 1 page, grater, undated.

Primary Examiner—Terry A. Wallace

Attorney, Agent, or Firm—John A. Doninger

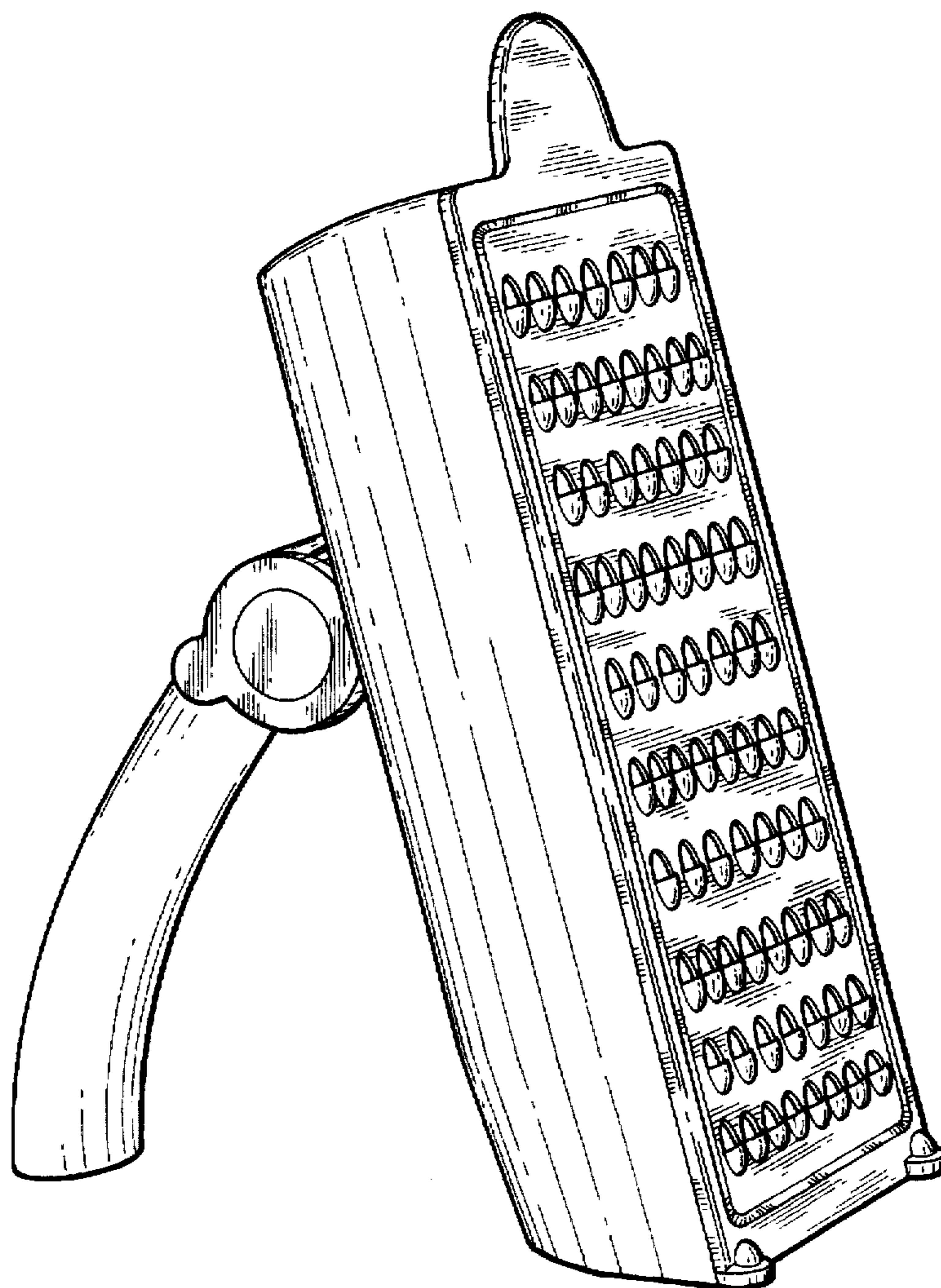
[57] **CLAIM**

The ornamental design for a cheese grater, as shown.

DESCRIPTION

FIG. 1 is a front and side perspective view of a cheese grater showing my new design;
 FIG. 2 is a top plan view thereof;
 FIG. 3 is a bottom plan view thereof;
 FIG. 4 is a front elevation view thereof;
 FIG. 5 is a rear elevation view thereof;
 FIG. 6 is a right side elevation view thereof;
 FIG. 7 is a left side elevation view thereof;
 FIG. 8 is a cross-section thereof taken on line 8—8 in FIG. 2; and,
 FIG. 9 is a cross-section thereof taken on line 9—9 in FIG. 7.

1 Claim, 5 Drawing Sheets



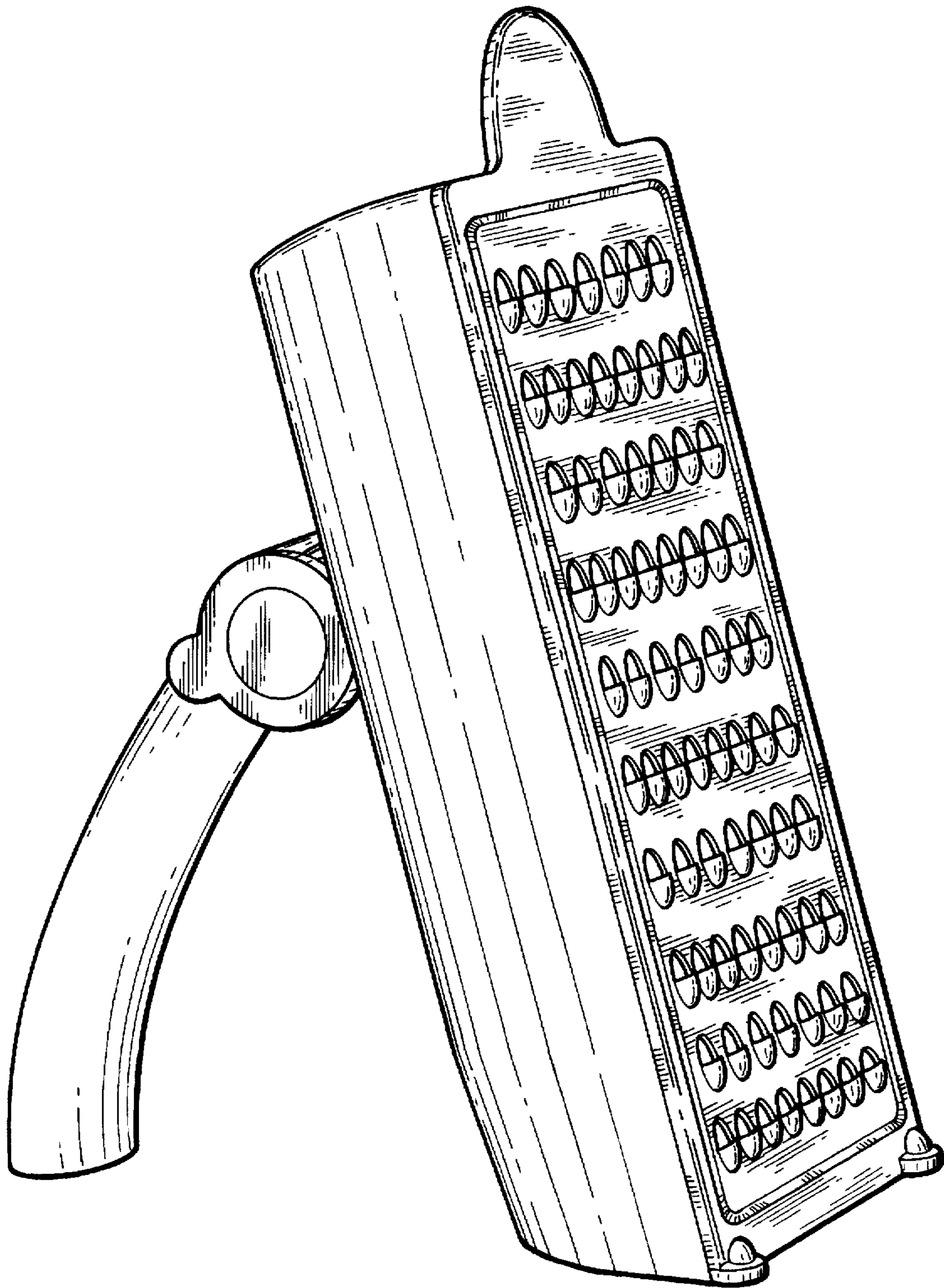


FIG. 1

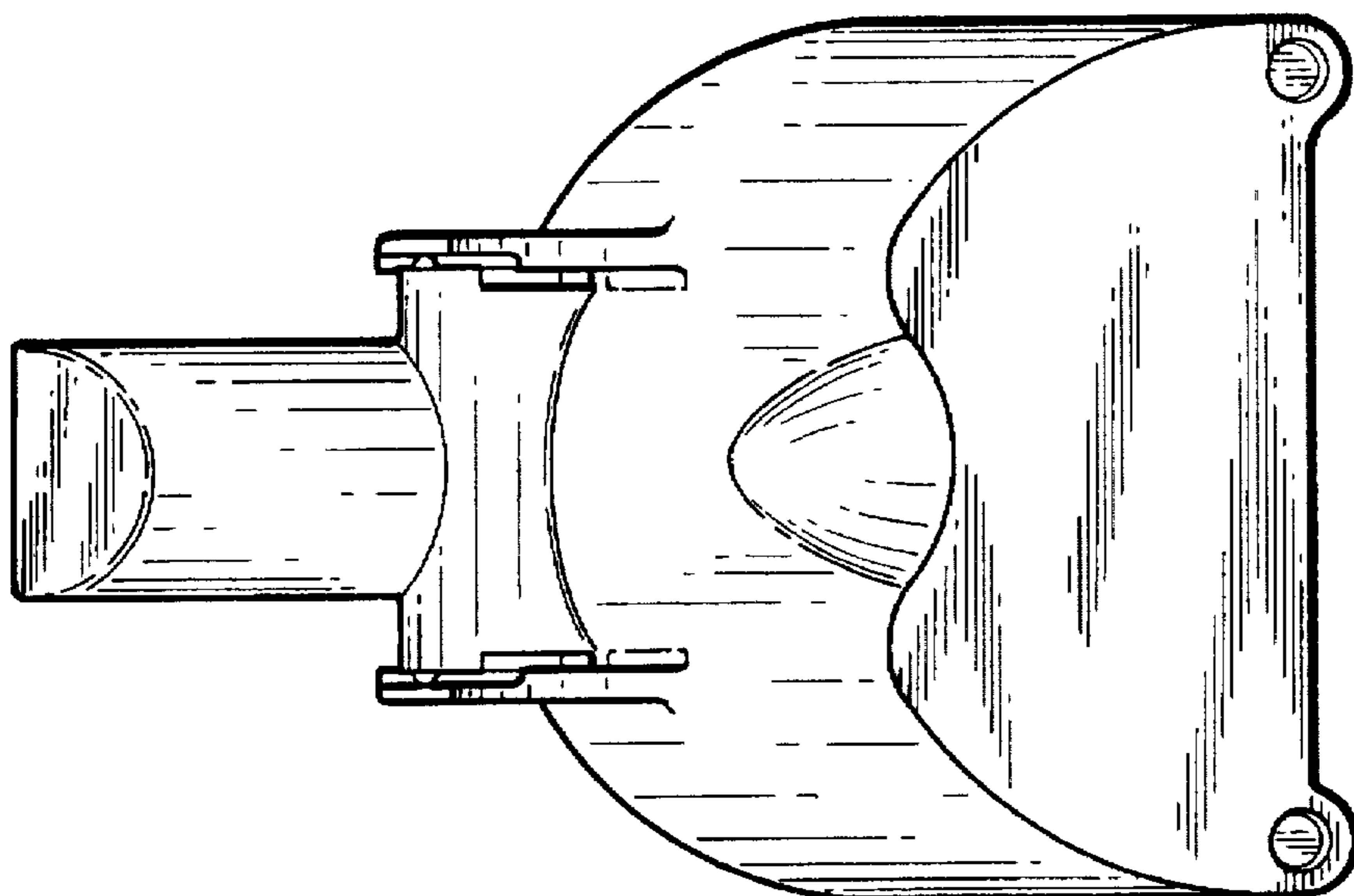


FIG. 1

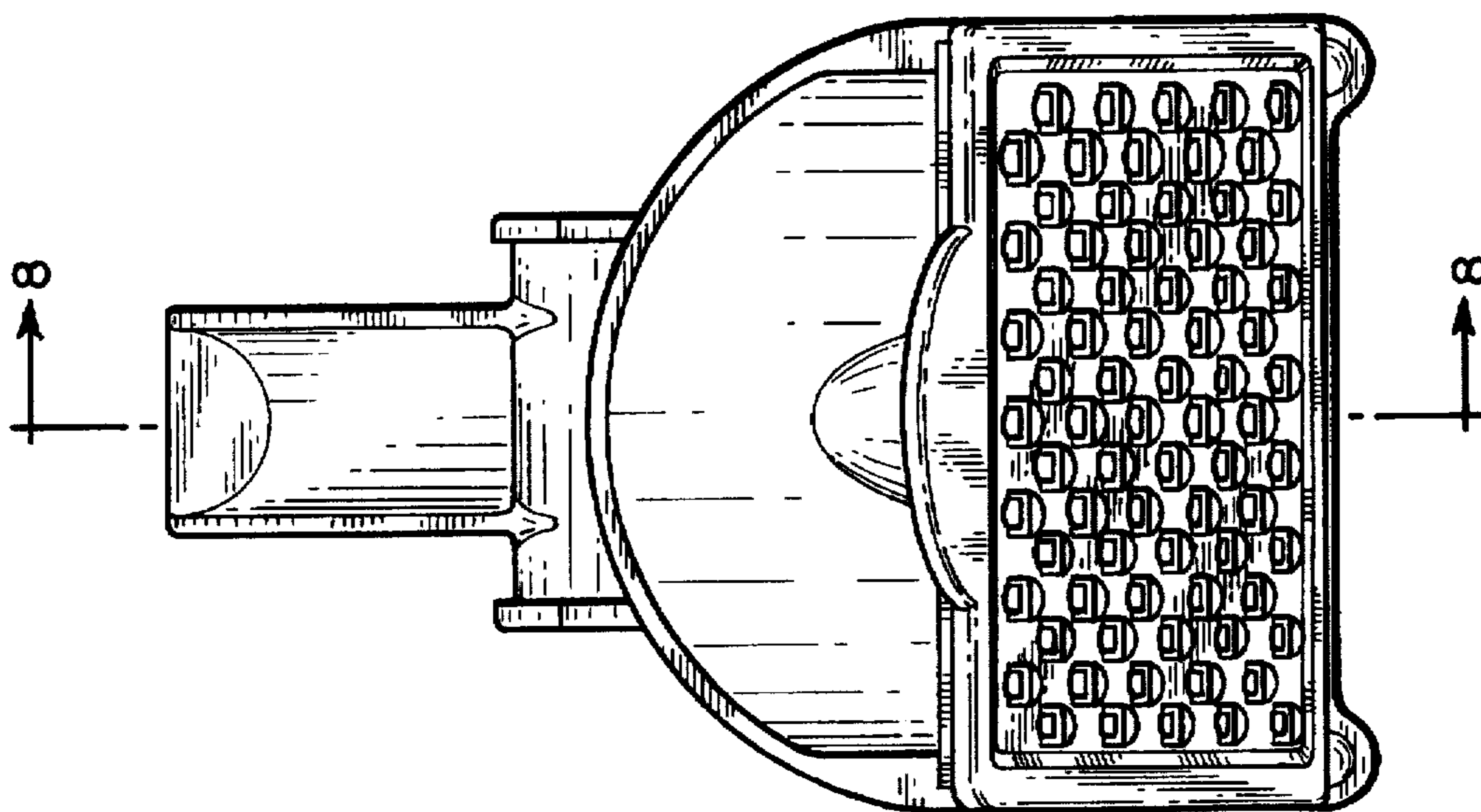


FIG. 2

FIG. 5

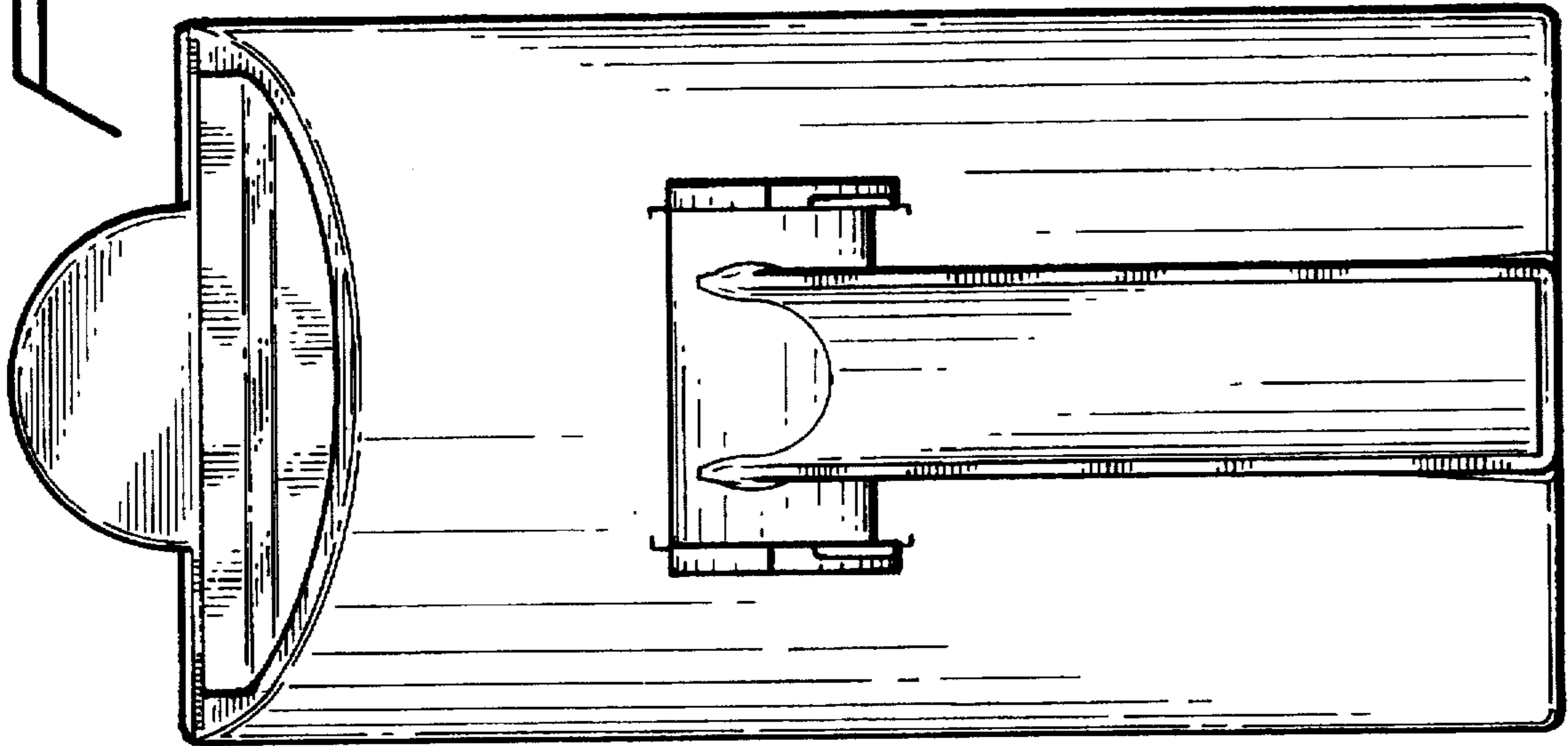
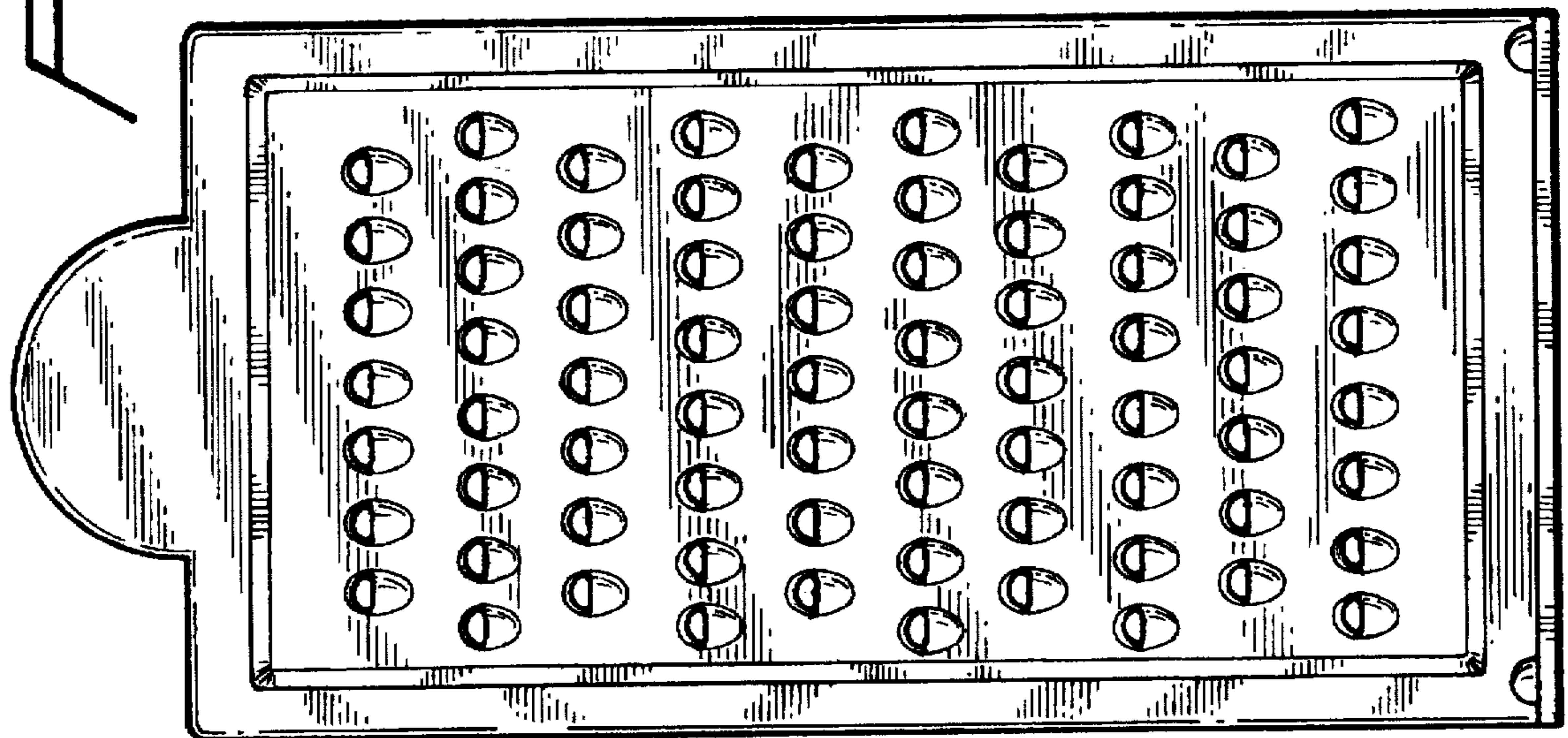


FIG. 4



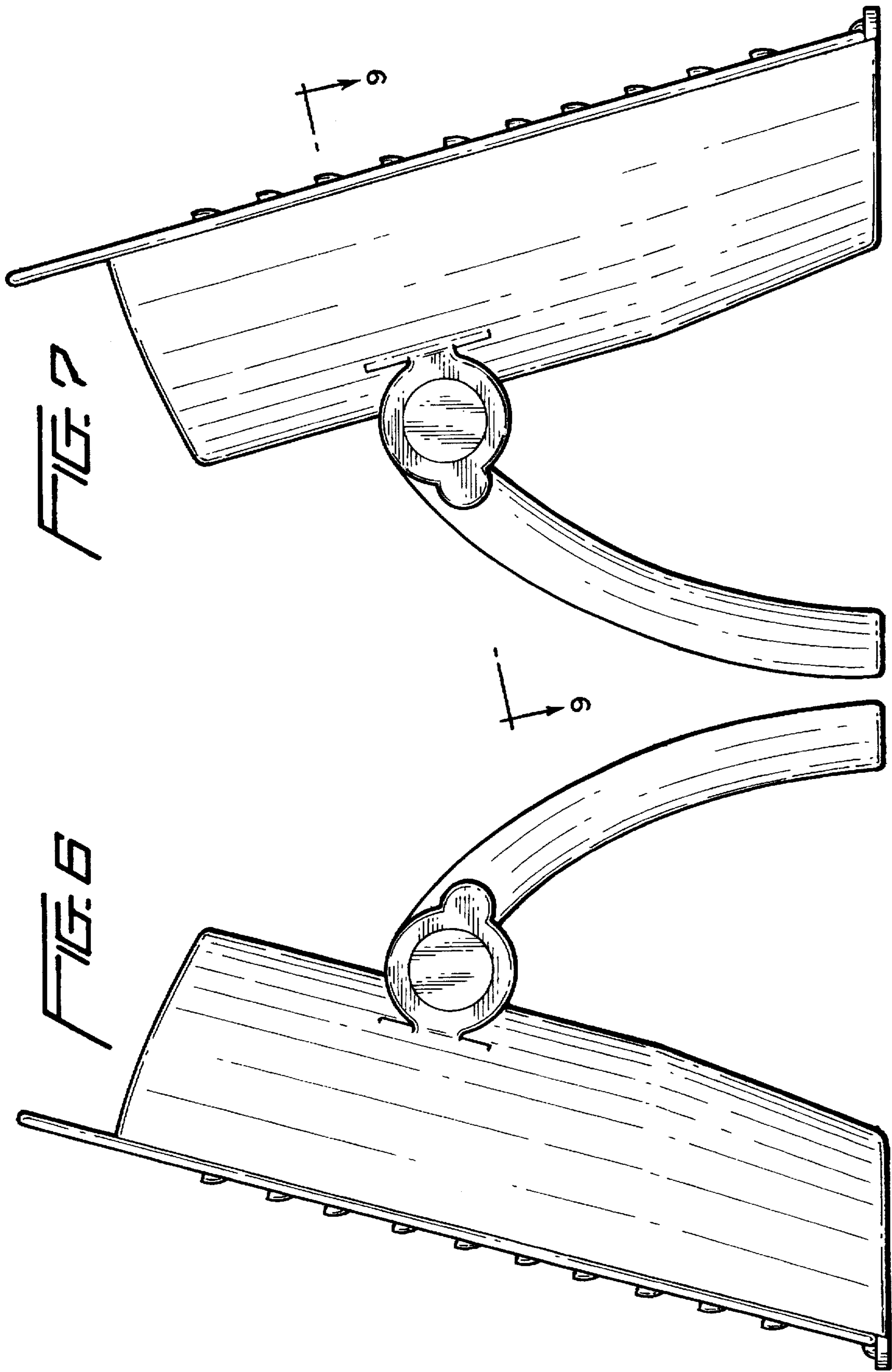


FIG. 8

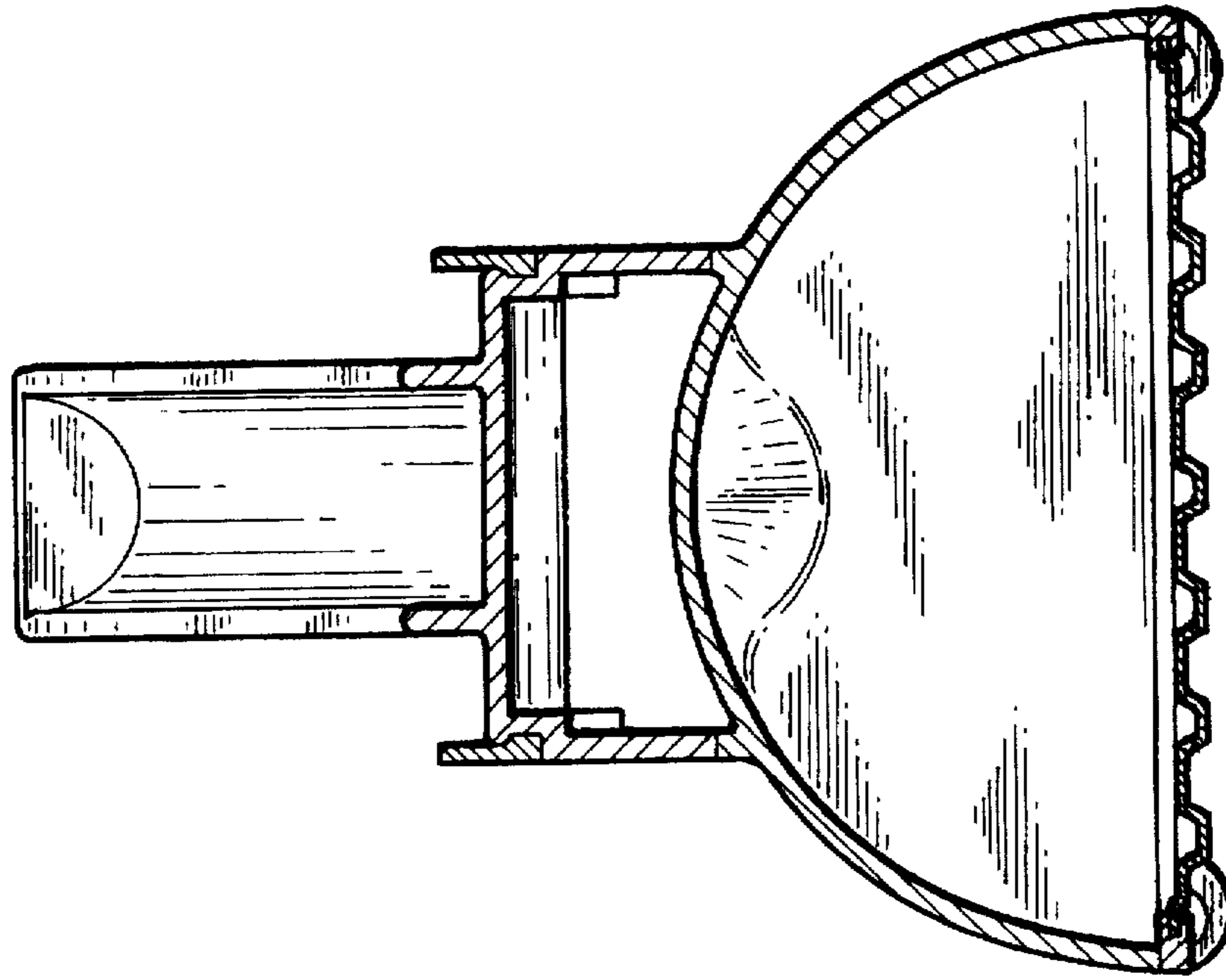


FIG. 9

