



US00D389011S

# United States Patent [19] DeCoster

[11] Patent Number: **Des. 389,011**  
[45] Date of Patent: **\*\*Jan. 13, 1998**

[54] **INTERNAL CHAMBER FOR FOOD CONTAINER**

[76] Inventor: **Pieter K. J. DeCoster, Parklaan 77, B-9300 Aalst, Belgium**

[\*\*] Term: **14 Years**

[21] Appl. No.: **48,224**

[22] Filed: **Jan. 18, 1996**

[51] LOC (6) Cl. .... **07-01**

[52] U.S. Cl. .... **D7/387; D7/547**

[58] Field of Search ..... **D7/550, 501, 396.1, D7/401.1, 543, 547, 555, 355, 367, 409, 354, 387, 507, 553, 554, 536, 513, 629, 601; 220/356, 575, 23.8, 675, 671, 608, 705, 729; 99/305; D10/46.2**

3,249,250	5/1966	McKee .	
3,380,592	4/1968	Arnold .	
3,399,858	9/1968	Luker .....	D7/354 X
3,416,689	12/1968	Greenfield .	
3,451,328	6/1969	Swett .....	D7/629 X
4,056,050	11/1977	Brown .....	99/205
4,179,040	12/1979	Bateman et al. .	
4,928,876	5/1990	Marshall .....	220/705 X
5,082,135	1/1992	DeCoster .	
5,183,179	2/1993	Morris, Sr. ....	220/608 X
5,441,164	8/1995	Beck et al. ....	220/575

Primary Examiner—M. N. Pandozzi

### [57] CLAIM

The ornamental design for a internal carrier for food container, as shown.

### DESCRIPTION

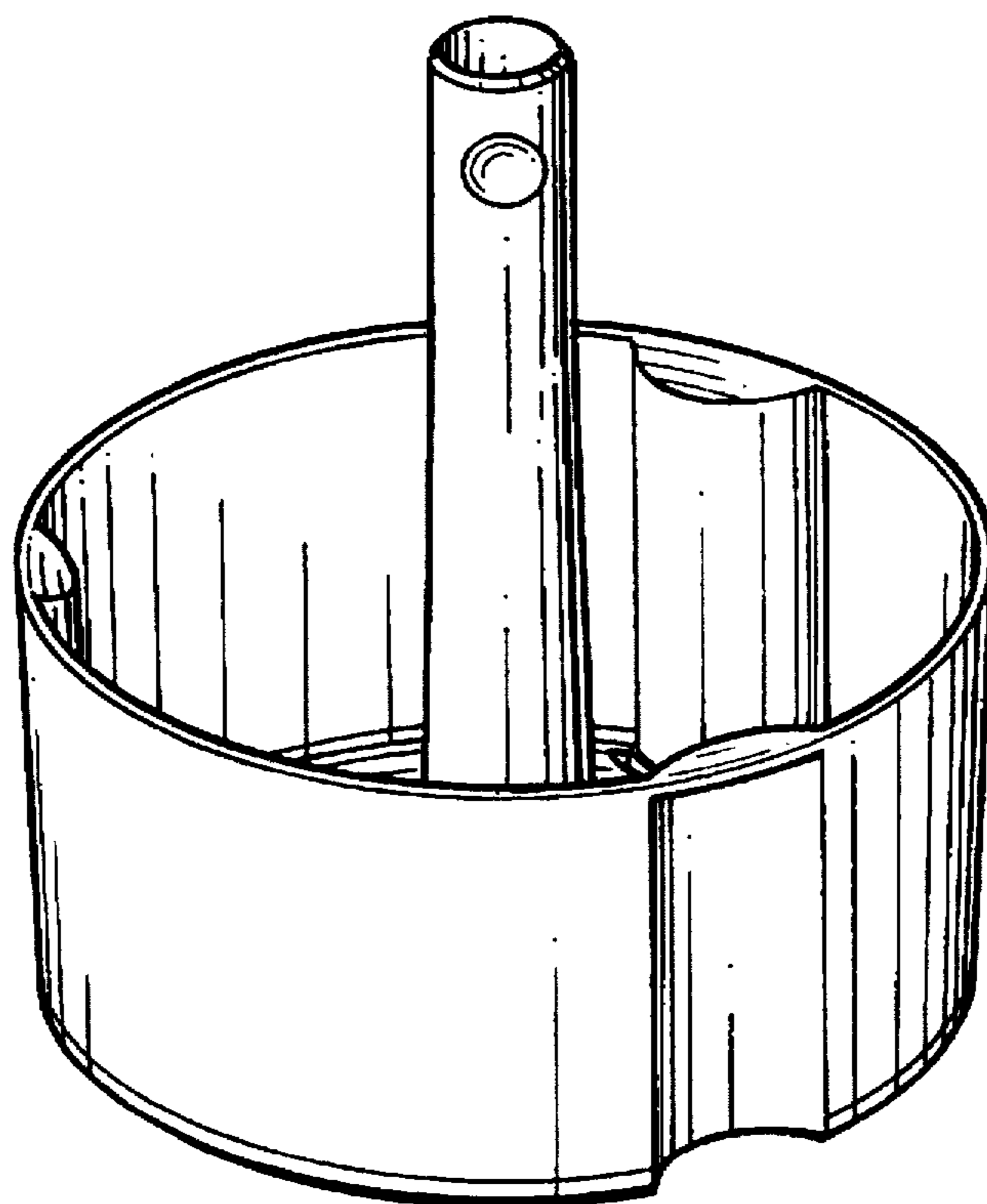
FIG. 1 is top and front perspective view of an internal carrier for food container showing my new design;  
 FIG. 2 is a top plan view thereof;  
 FIG. 3 is a bottom plan view thereof;  
 FIG. 4 is a front elevation view thereof;  
 FIG. 5 is a rear elevation view thereof;  
 FIG. 6 is a right side elevation view thereof;  
 FIG. 7 is a left side elevation view thereof;  
 FIG. 8 is a cross-section thereof taken on line 8—8 in FIG. 4; and,  
 FIG. 9 is a cross-section thereof taken on line 9—9 in FIG. 4.

### [56] References Cited

#### U.S. PATENT DOCUMENTS

D. 193,308	7/1962	Jackson .....	D7/501
D. 220,230	3/1971	Friedman .....	D7/547 X
D. 257,201	10/1980	Croyle et al. .	
D. 310,941	10/1990	Carty .....	D7/536 X
D. 333,757	3/1993	DeCoster .	
D. 347,143	5/1994	Awyong .....	D7/547 X
D. 351,762	10/1994	Williams et al. ....	D7/547
646,135	3/1900	Smith .	
1,565,077	12/1925	Finn .....	D7/409 X
2,288,044	6/1942	Stemme .....	D7/513 X
2,904,205	9/1959	Callery .	
2,983,369	5/1961	Rogovin .	

1 Claim, 3 Drawing Sheets



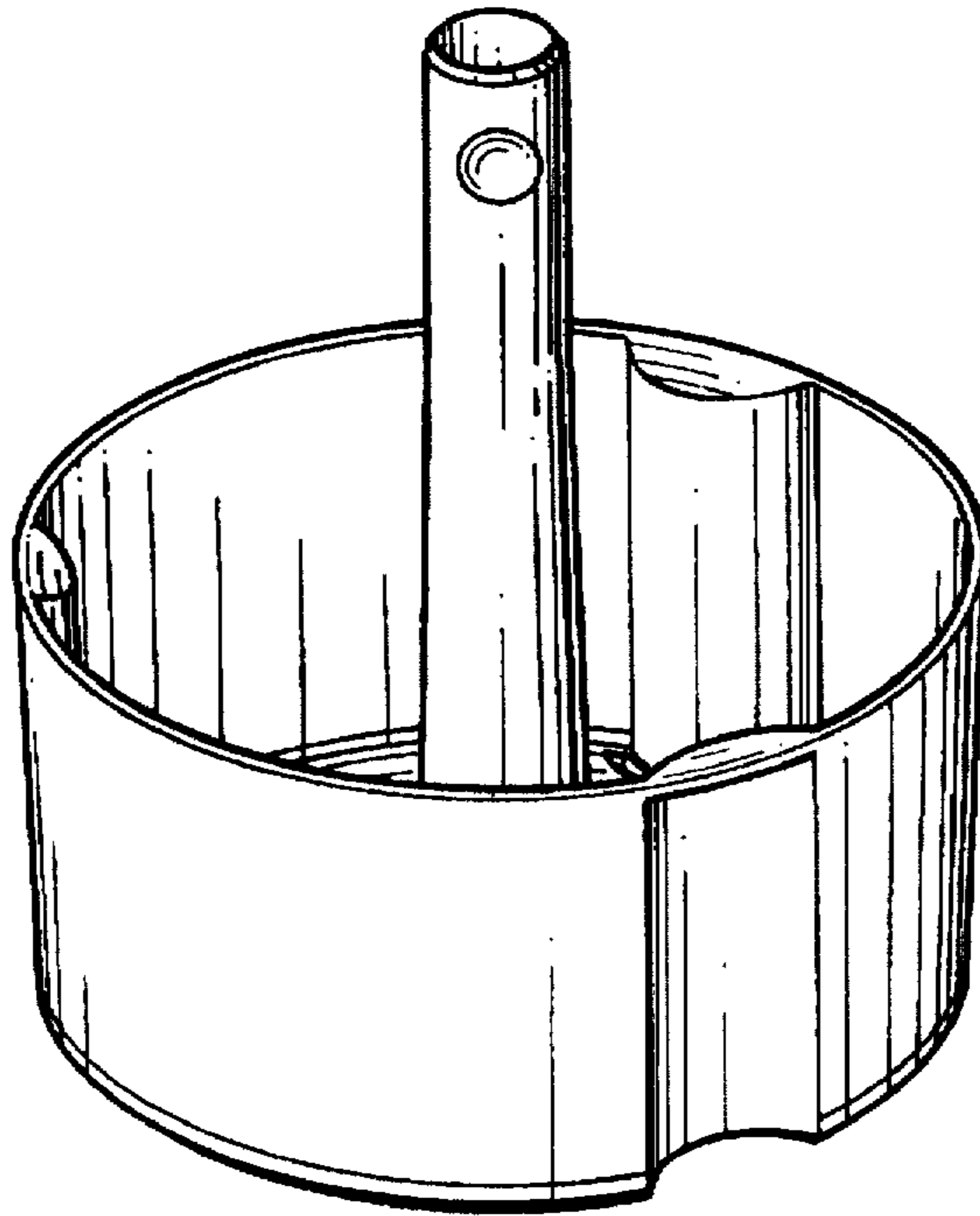


FIG. 1

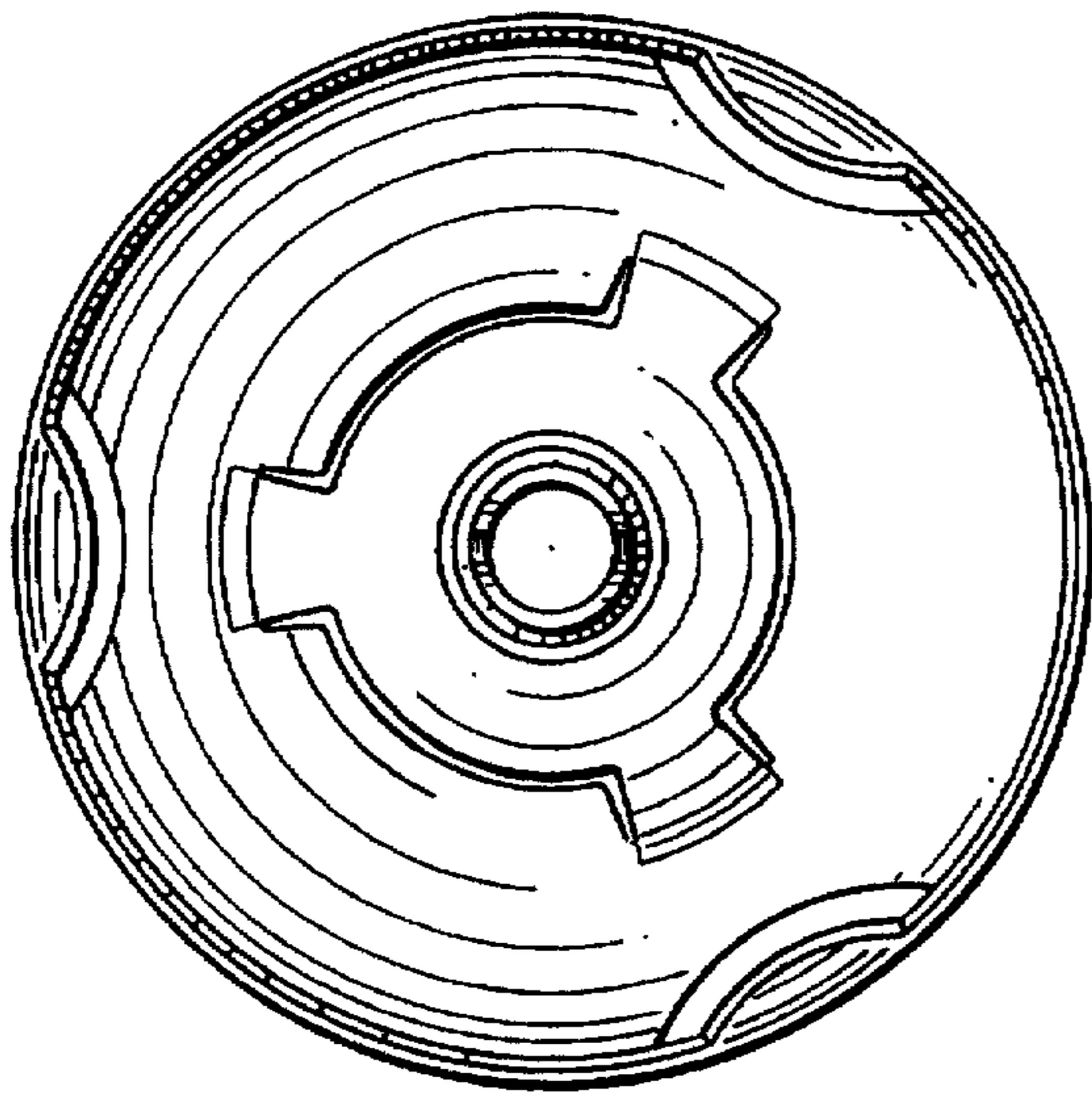


FIG. 2

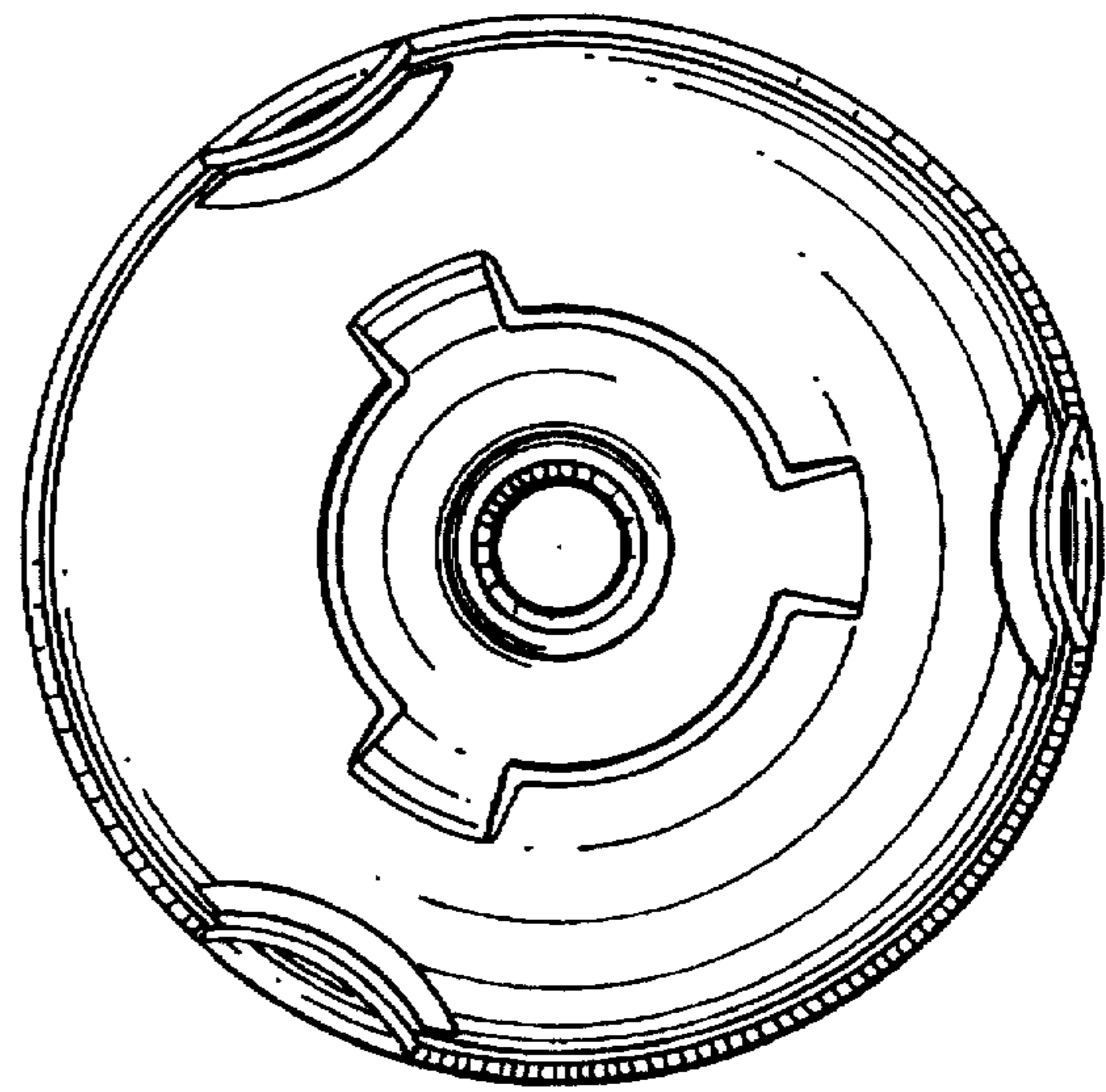
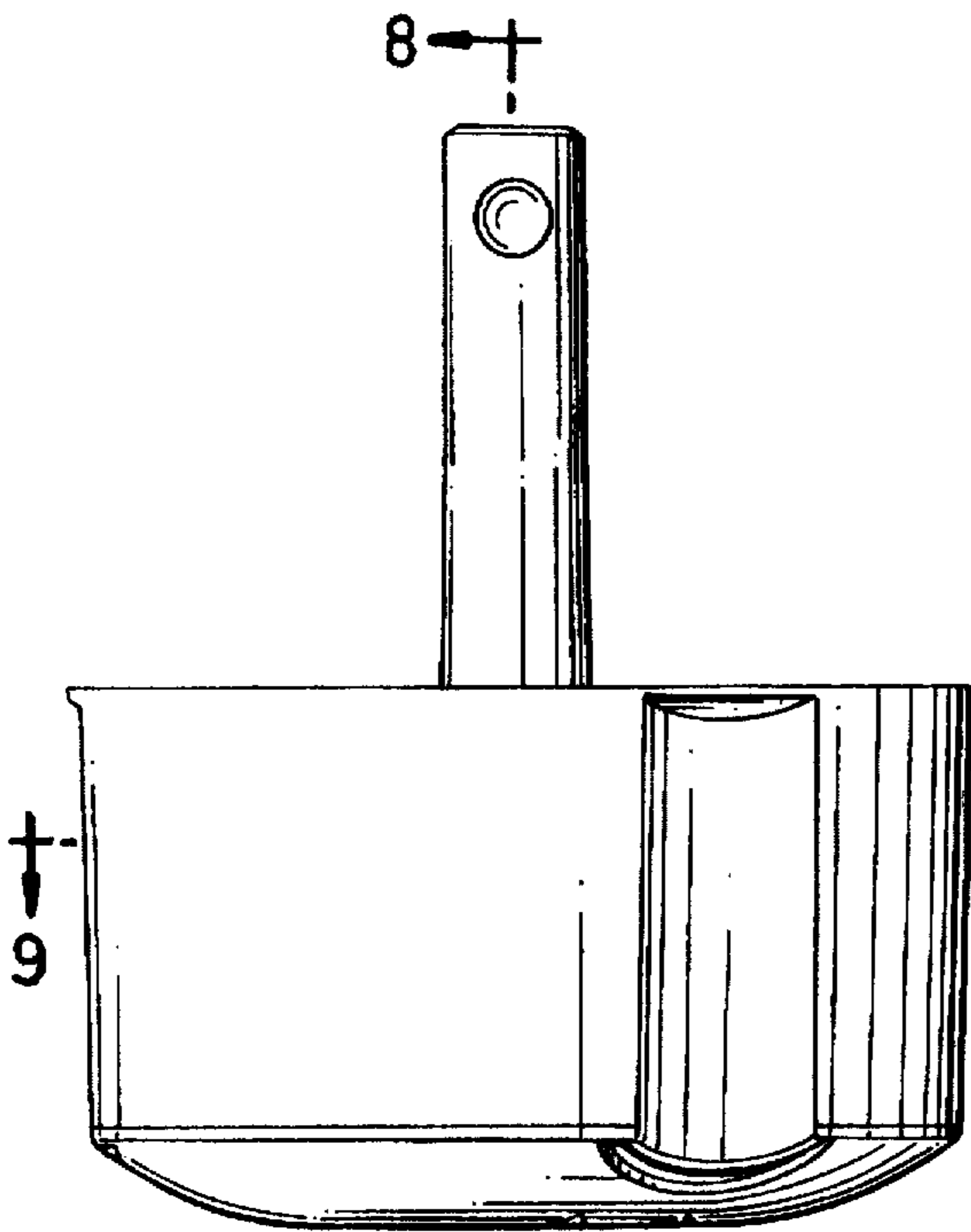


FIG. 3



8  
FIG. 4

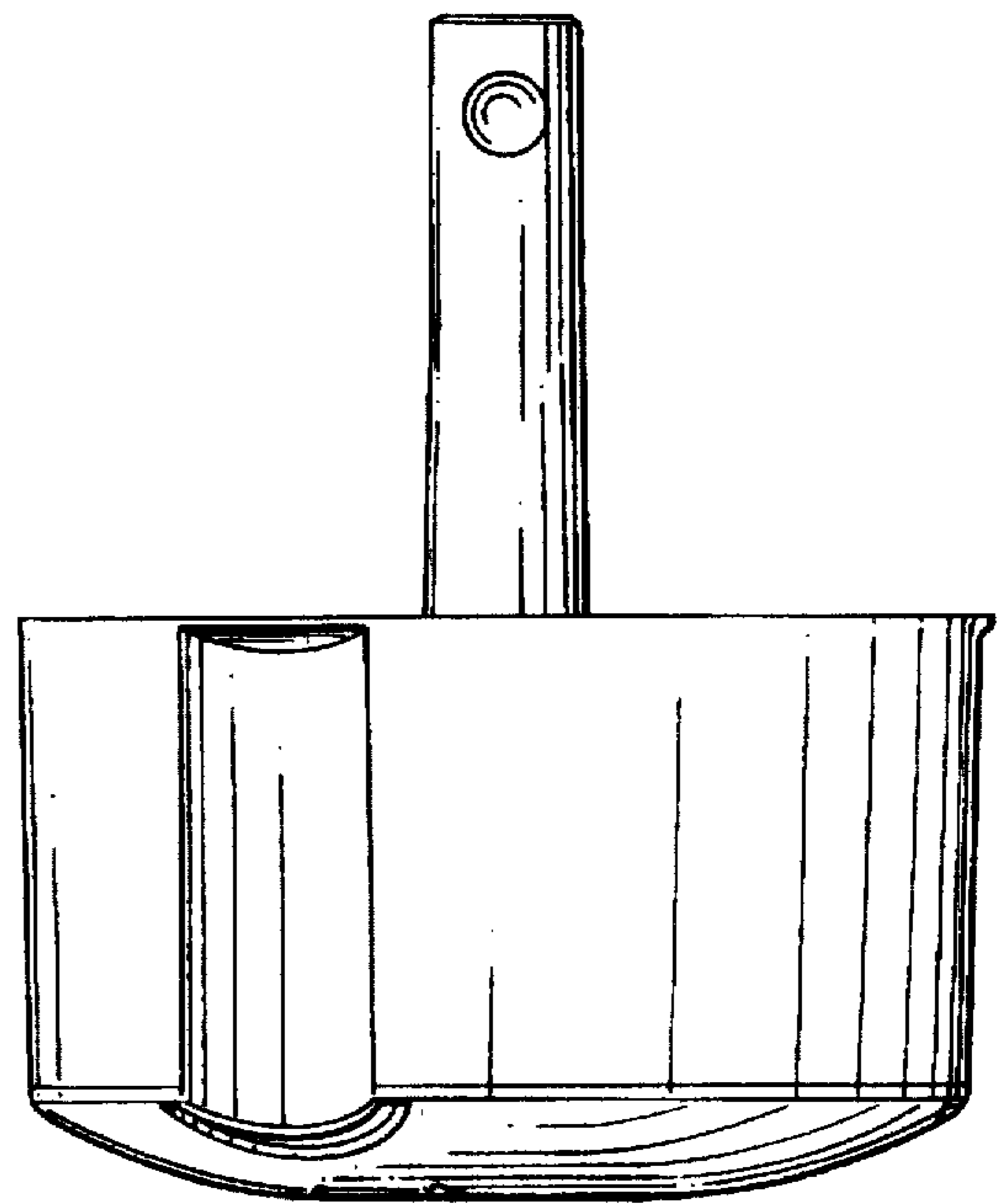


FIG. 5

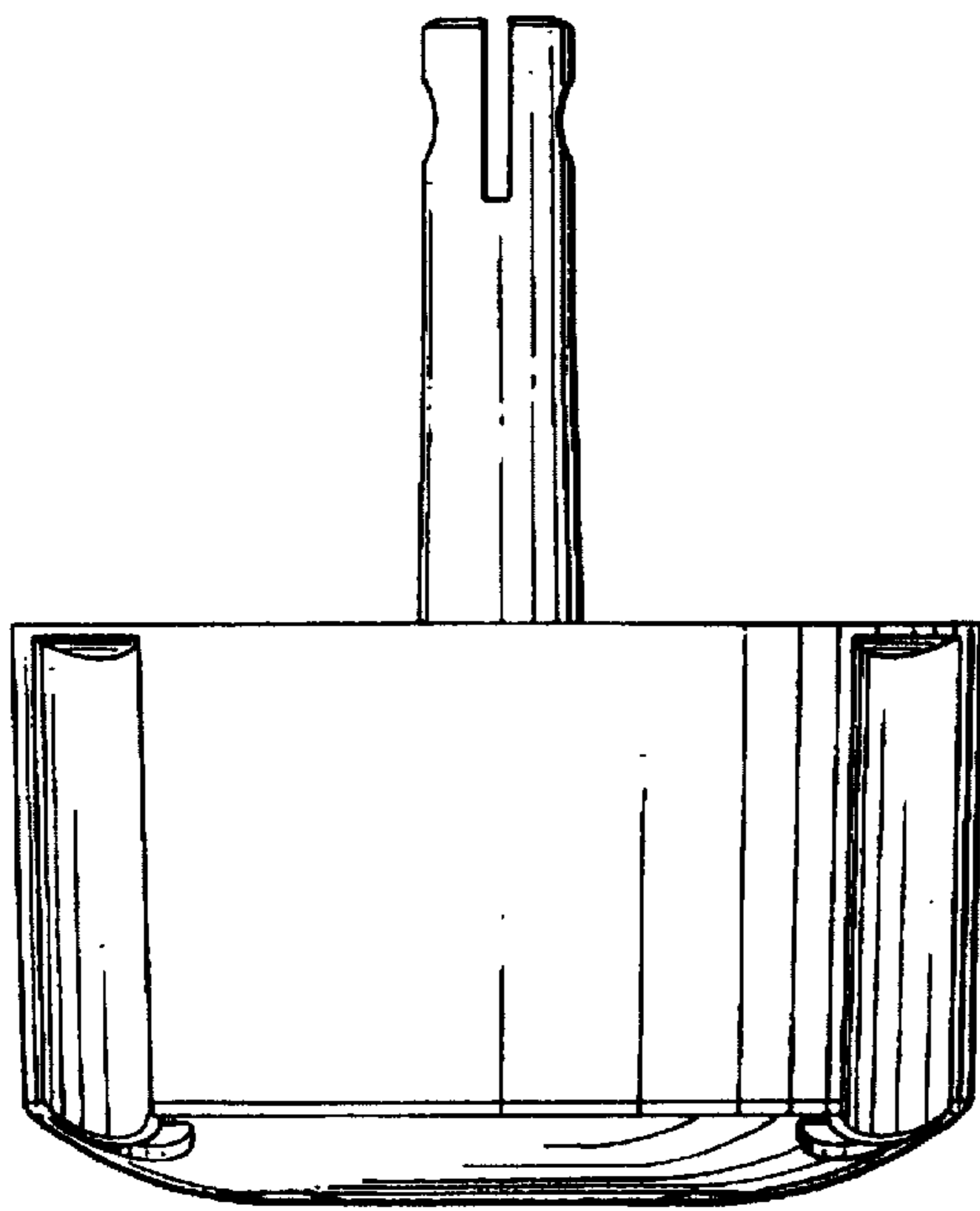


FIG. 6

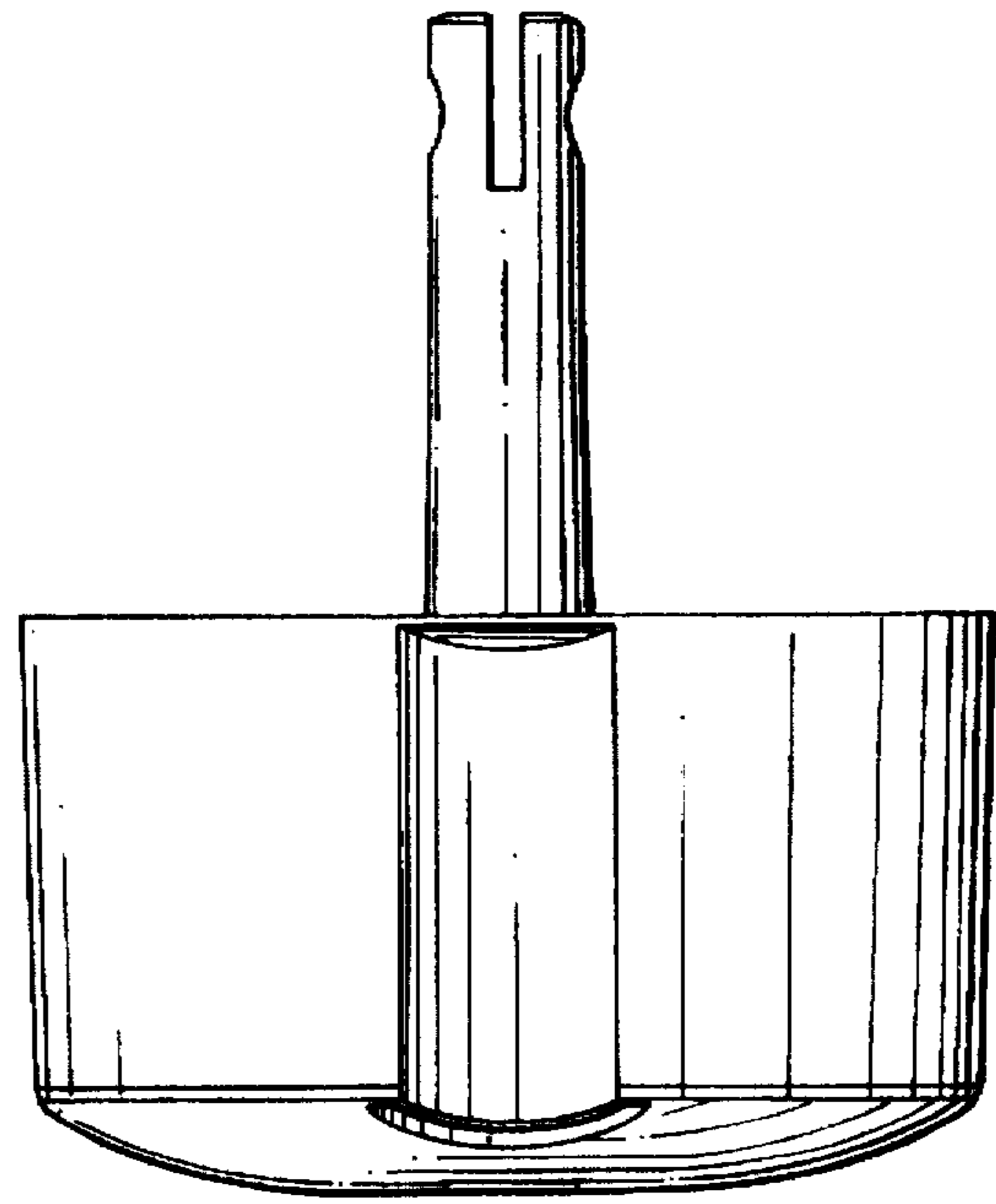


FIG. 7

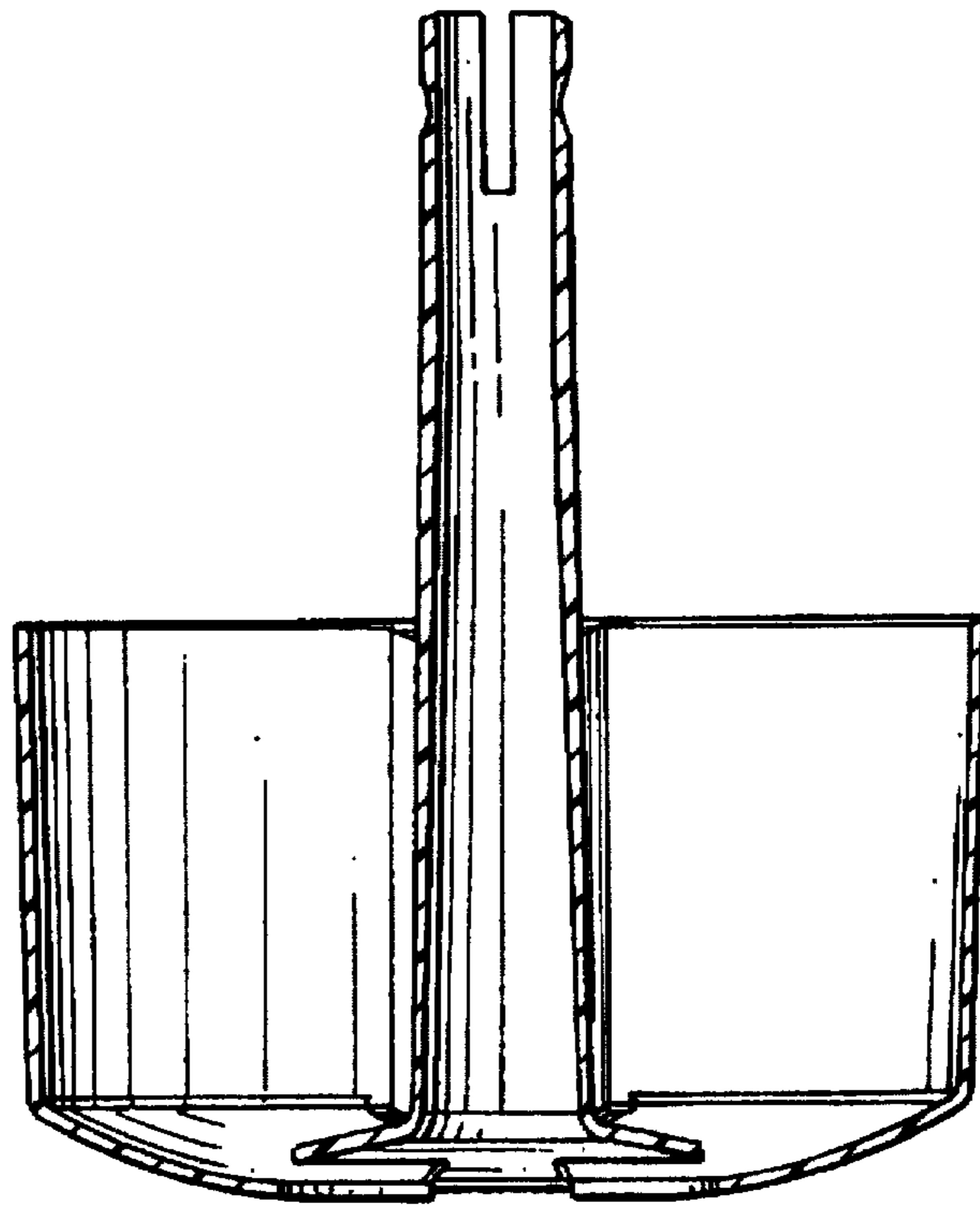


FIG. 8

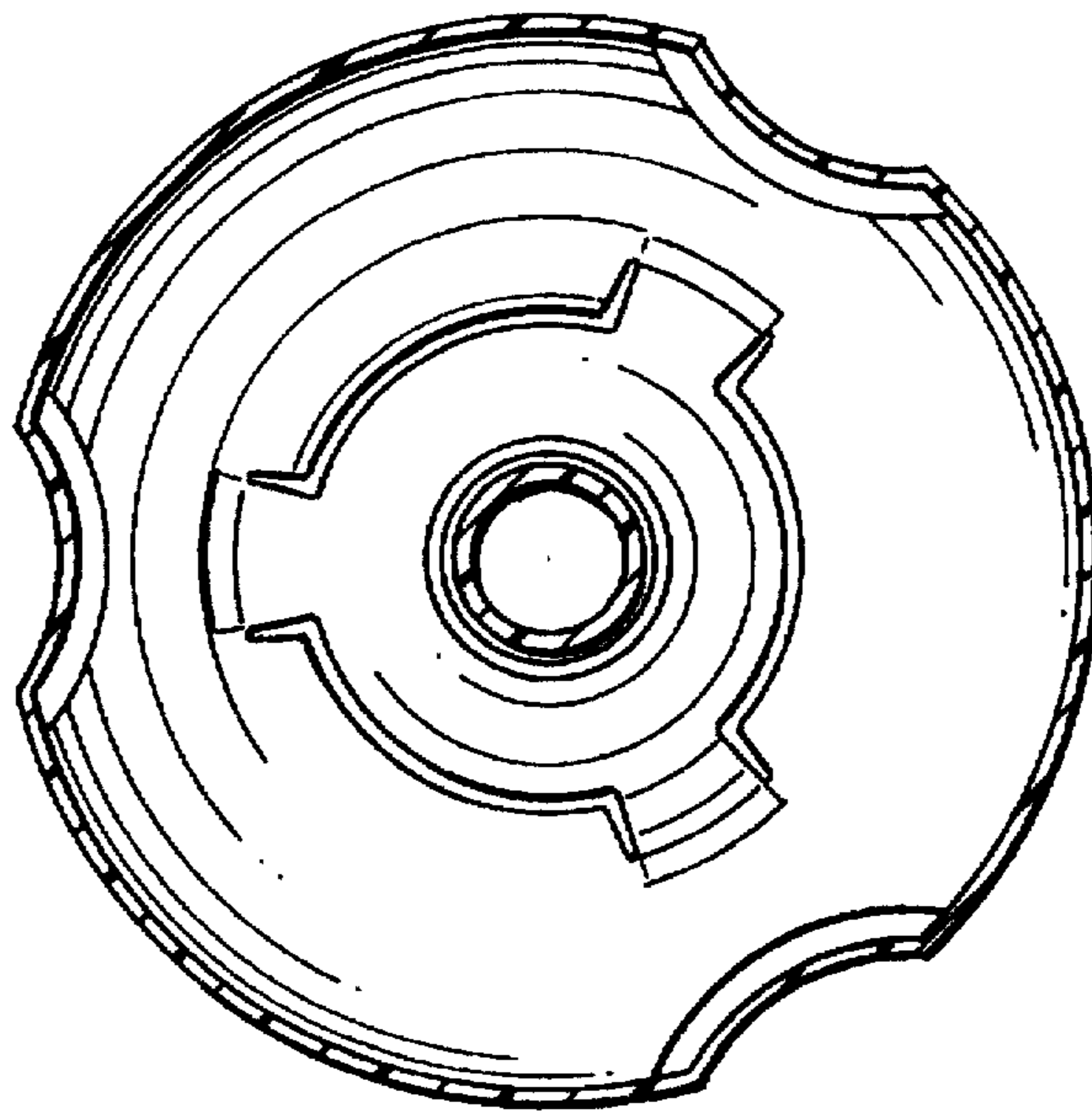


FIG. 9