



US00D389010S

United States Patent [19] Joergensen

[11] Patent Number: **Des. 389,010**

[45] Date of Patent: ****Jan. 13, 1998**

[54] **ELECTRIC COFFEE GRINDER**

[75] Inventor: **Carsten Joergensen, Kriens, Switzerland**

[73] Assignee: **PI-Design AG, Triengen, Switzerland**

[**] Term: **14 Years**

[21] Appl. No.: **40,351**

[22] Filed: **Jun. 15, 1995**

[30] **Foreign Application Priority Data**

Dec. 16, 1994 [DK] Denmark 1158/94

[51] LOC (6) Cl. **31-00**

[52] U.S. Cl. **D7/373**

[58] Field of Search **D7/373, 372, 679; 241/301, 245, 248, 353, 253; 99/286**

[56] **References Cited**

U.S. PATENT DOCUMENTS

D. 131,087	1/1942	Meeker et al.	D7/373
D. 140,534	3/1945	Schmidt	D7/373
D. 353,075	12/1994	Littmann et al.	D7/373
D. 363,411	10/1995	Mock et al.	D7/372
4,742,767	5/1988	Komatsu et al.	99/286 X

OTHER PUBLICATIONS

La Cimbali Feature, Vending Times, p. 43 at bottom left, Dec. 1983.
Braun Advertisement, House and Garden, p. 136 at bottom right, May 1972.

Primary Examiner—Louis S. Zarfes

Assistant Examiner—Frank Martinez

Attorney, Agent, or Firm—Merchant, Gould, Smith, Edell, Welter & Schmidt, P.A.

[57] **CLAIM**

The ornamental design for a electric coffee grinder, as shown and described.

DESCRIPTION

FIG. 1 is an oblique perspective view of the electric coffee grinder;

FIG. 2 is a left side view of the electric coffee grinder as shown in FIG. 1;

FIG. 3 is a right side view of the electric coffee grinder as shown in FIG. 1;

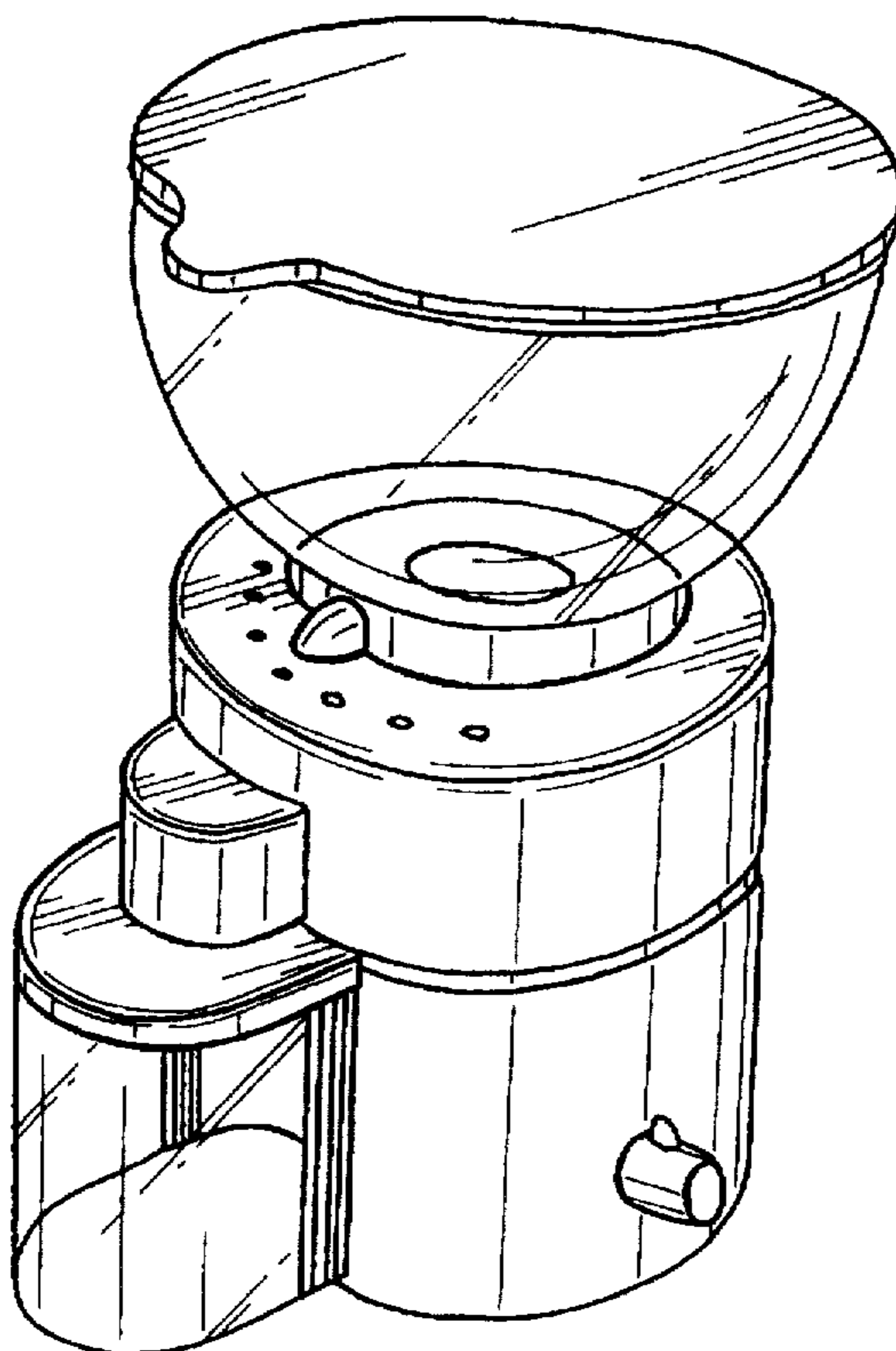
FIG. 4 is a front view of the electric coffee grinder as shown in FIG. 1;

FIG. 5 is a rear view of the electric coffee grinder as shown in FIG. 1;

FIG. 6 is a top view of the electric coffee grinder as shown in FIG. 1; and,

FIG. 7 is a bottom view of the electric coffee grinder as shown in FIG. 1.

1 Claim, 7 Drawing Sheets



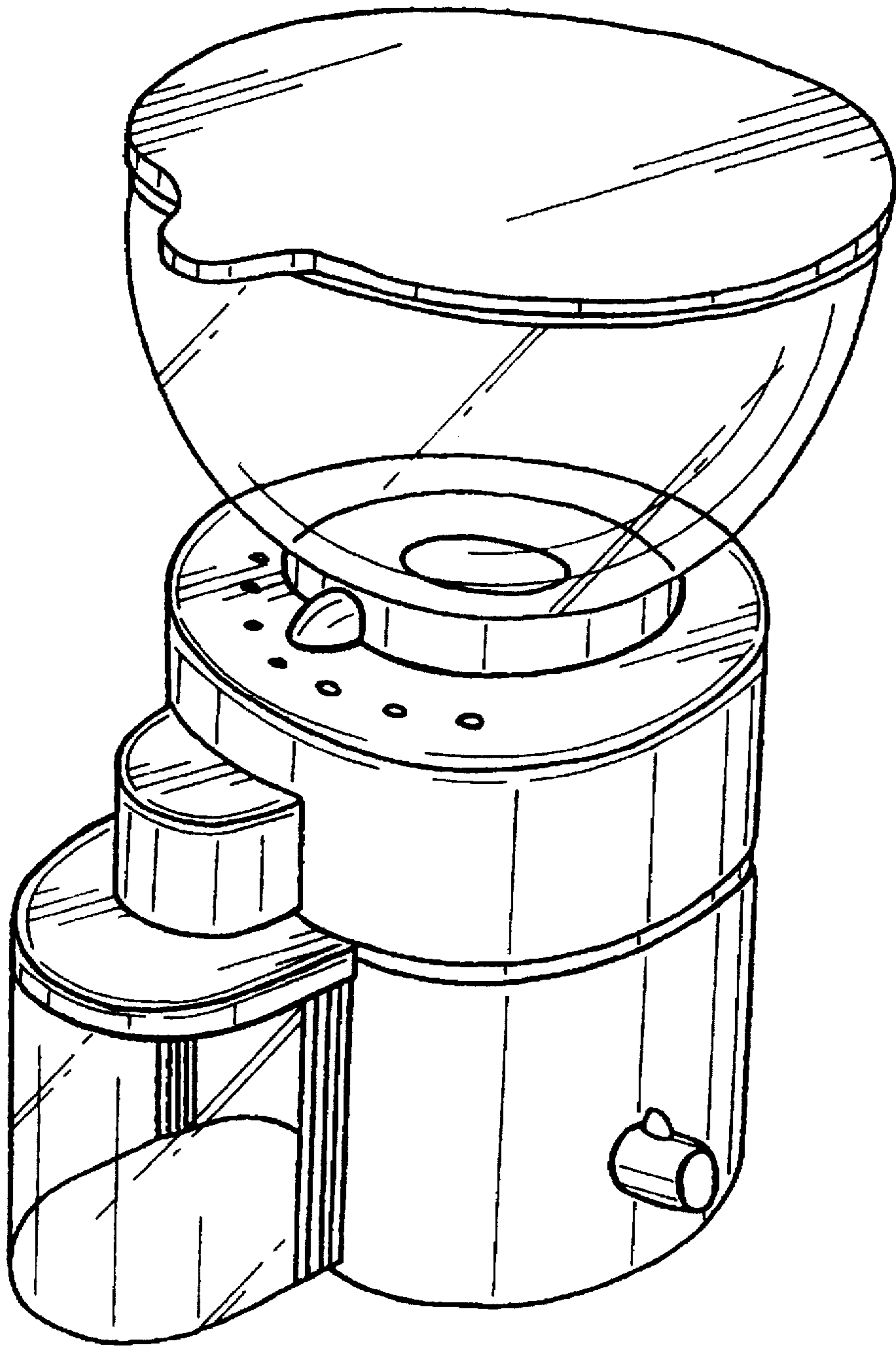


Fig. 1

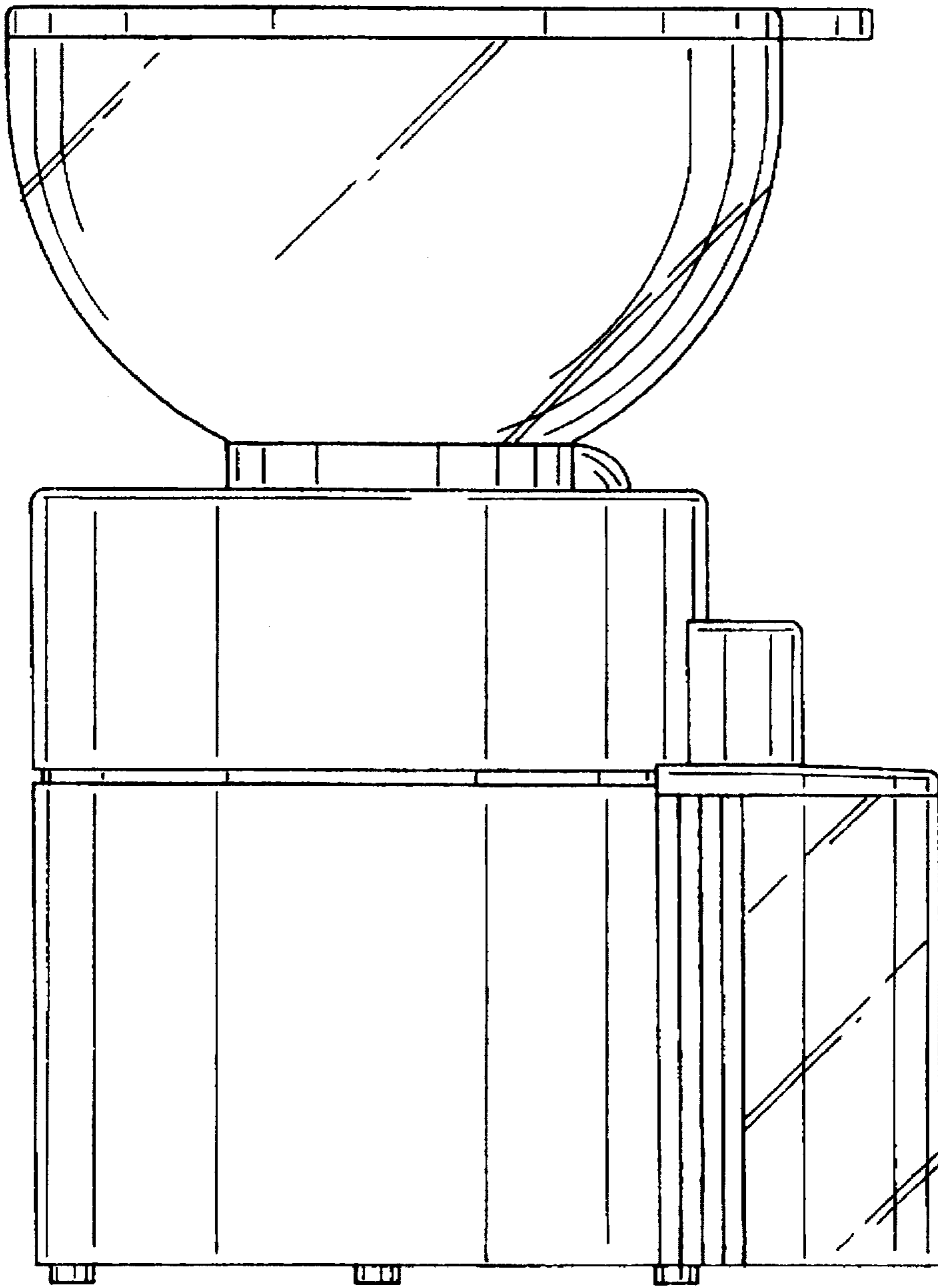


Fig. 2

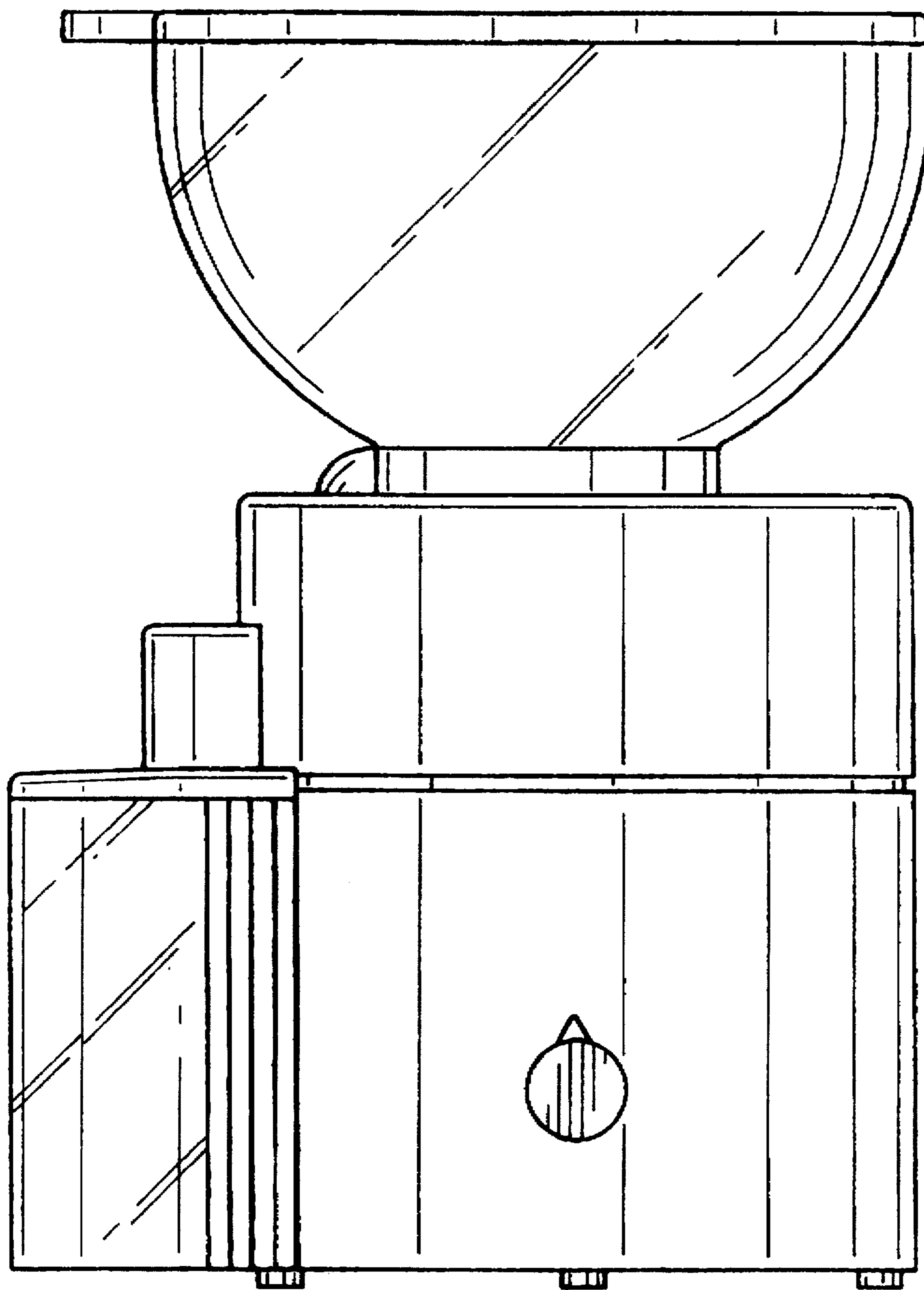


Fig. 3

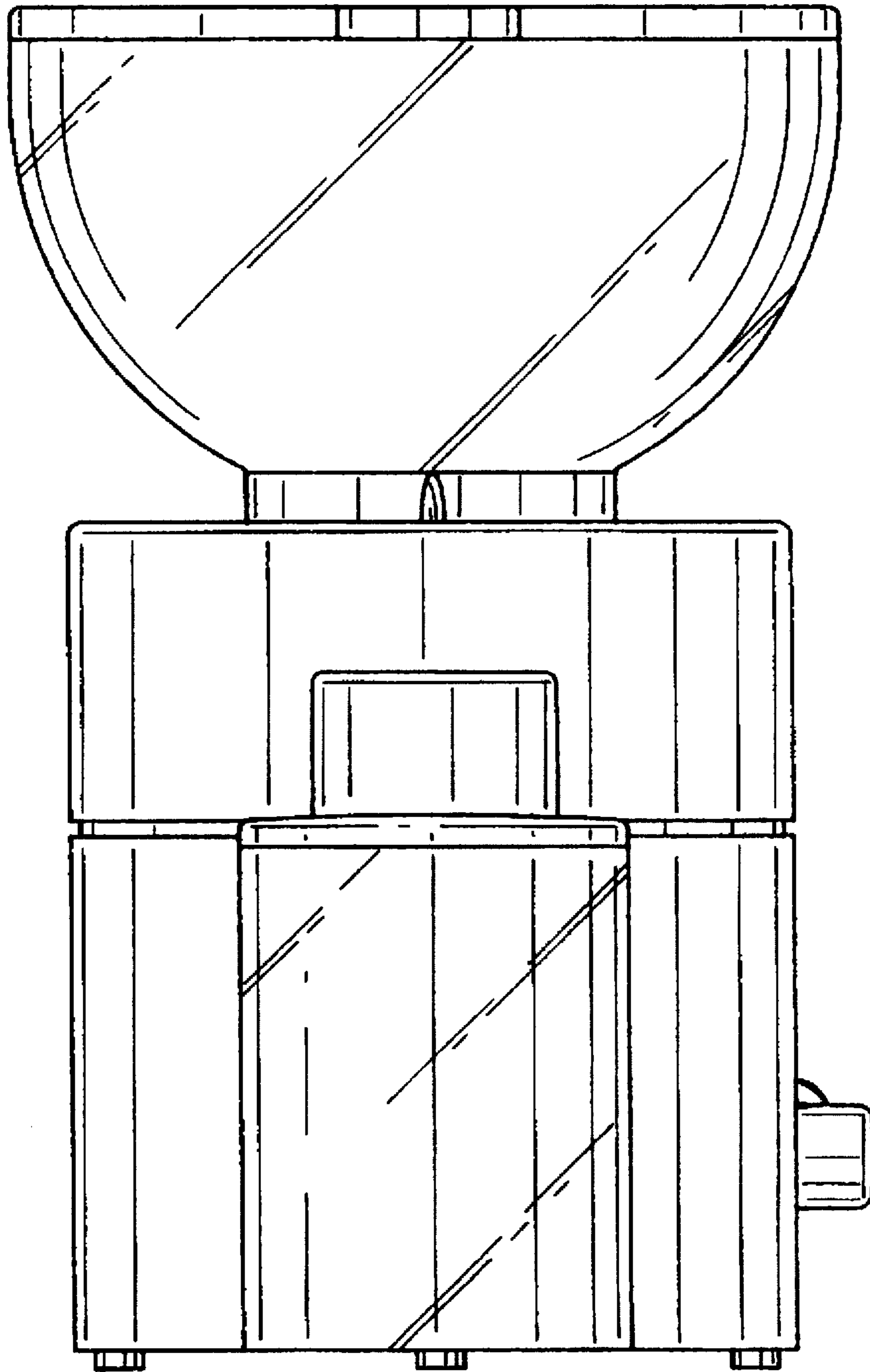


Fig. 4

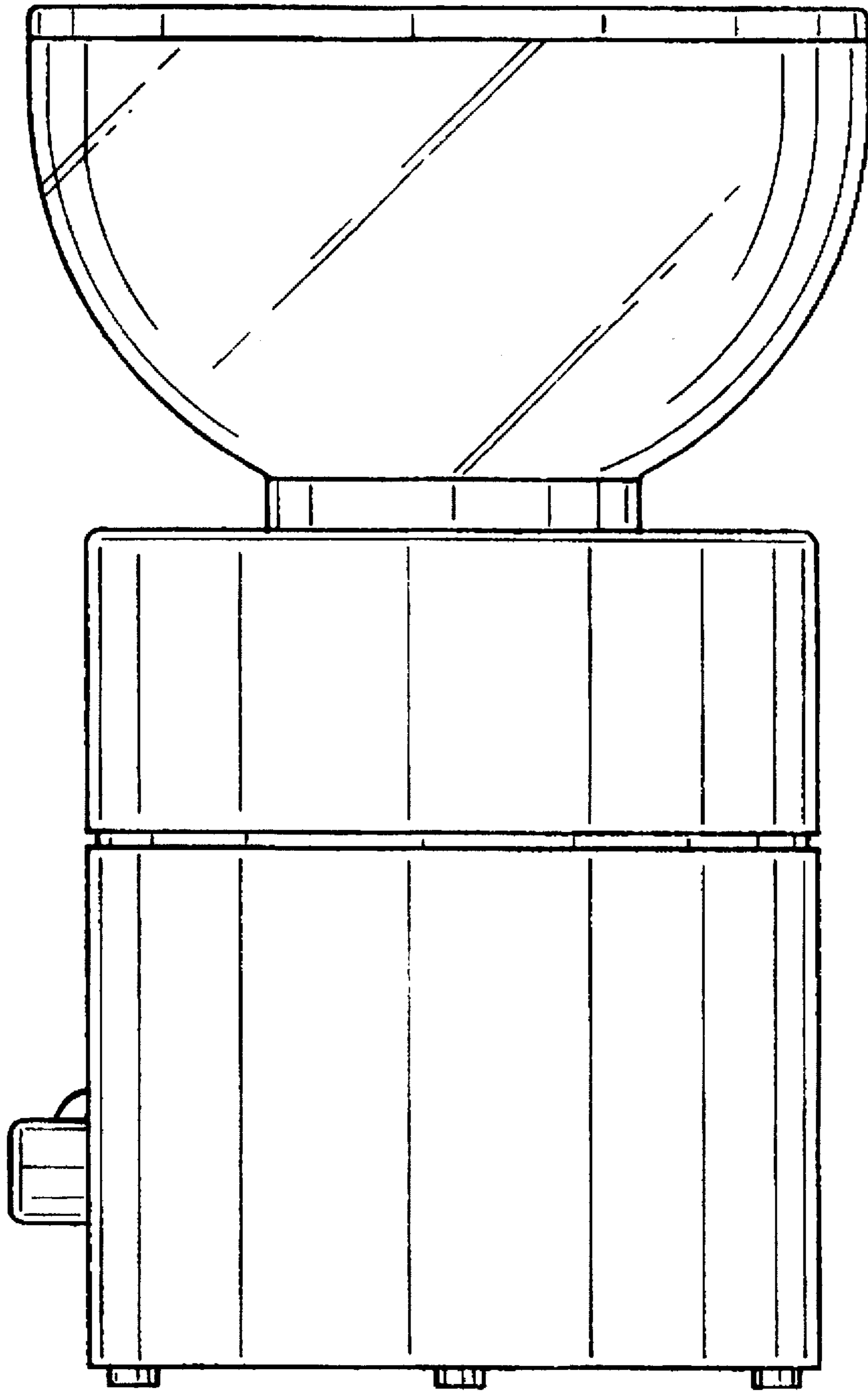


Fig. 5

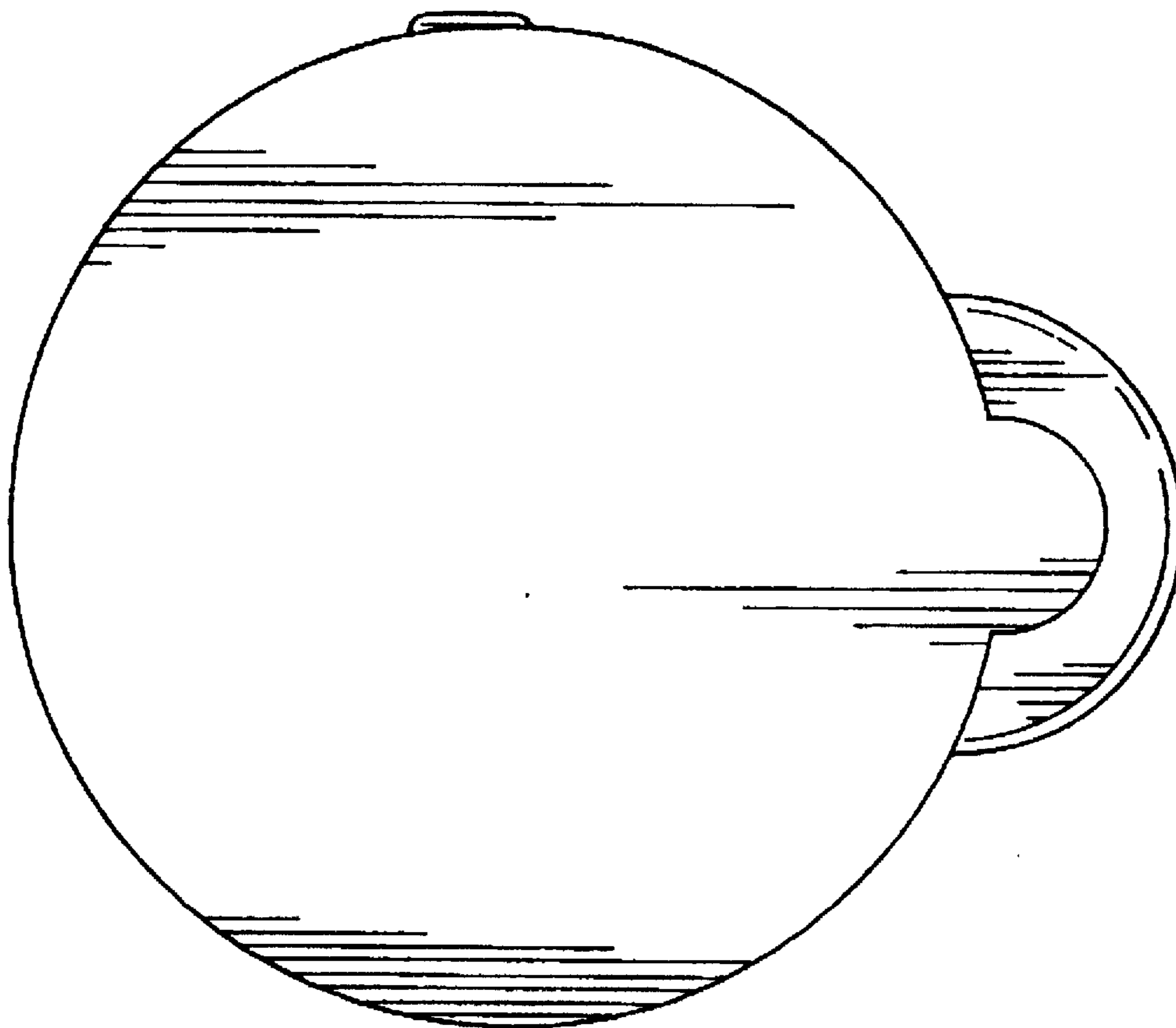


Fig. 6

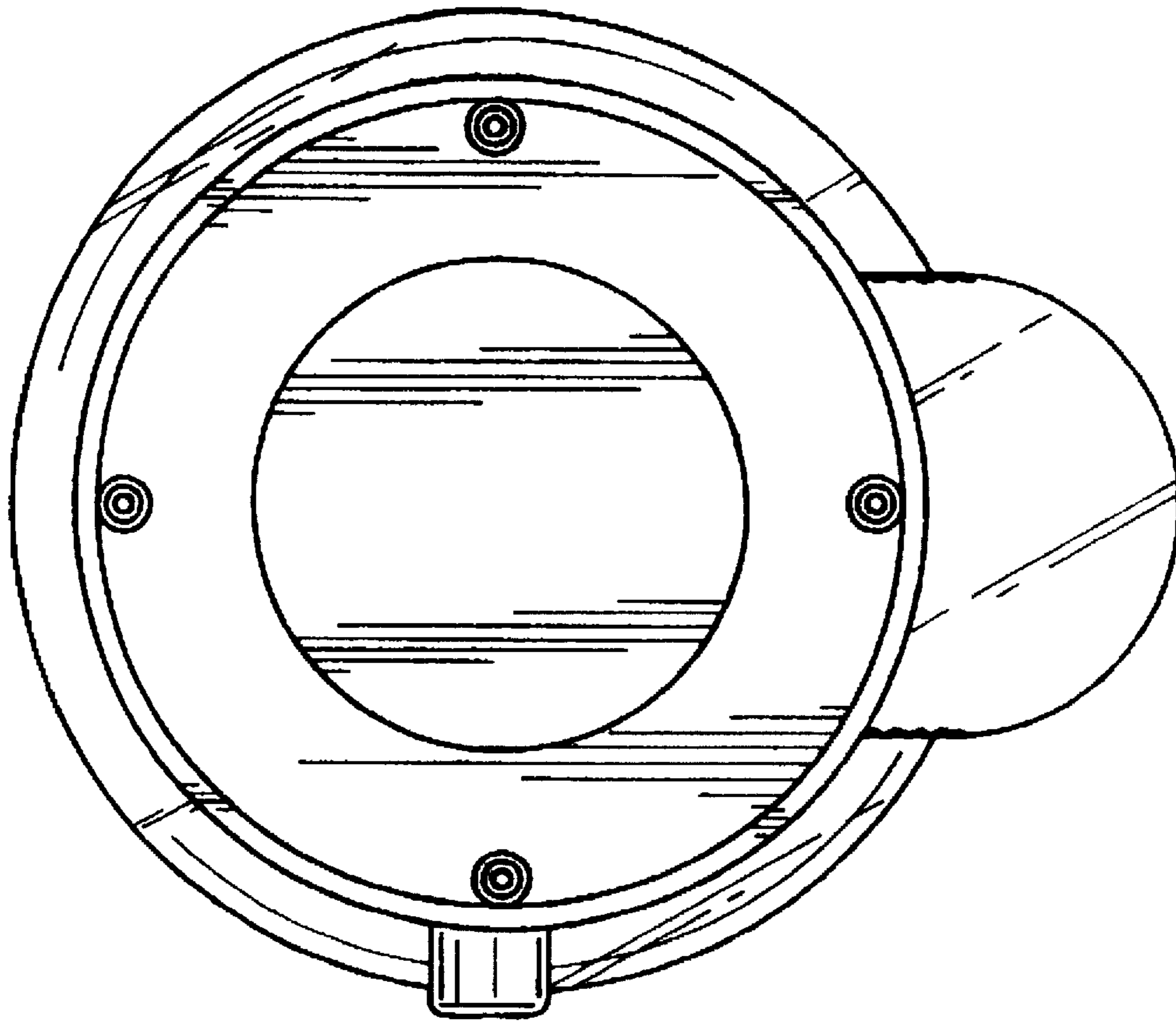


Fig. 7