



US00D389009S

# United States Patent [19]

Baykal

[11] Patent Number: **Des. 389,009**

[45] Date of Patent: **\*\*Jan. 13, 1998**

[54] **GRILL**

[76] Inventor: **Michael Hakan Baykal**, P.O. Box 5005, Rancho Santa Fe, Calif. 92067

[\*\*] Term: **14 Years**

[21] Appl. No.: **58,401**

[22] Filed: **Aug. 14, 1996**

[51] LOC (6) Cl. .... **07-02**

[52] U.S. Cl. .... **D7/335**

[58] Field of Search ..... **D7/332-337; 126/25 R, 126/25 A, 25 AA, 29, 30, 9 R, 9 B**

D. 350,045	8/1994	Stuart	.....	D7/332
D. 361,467	8/1995	Kabayama	.....	D7/334
2,094,915	10/1937	Dawson	.....	126/29
3,491,744	1/1970	Kohom et al.	.....	D7/334
4,840,128	6/1989	McFarlane et al.	.....	D7/335
5,421,271	6/1995	Sui	.....	108/50

*Primary Examiner*—Ruth McInroy  
*Attorney, Agent, or Firm*—Baker, Maxham, Jester & Meador

## [57] CLAIM

The ornamental design for a grill, as shown and described.

## DESCRIPTION

FIG. 1 is a perspective view of a grill, showing my new design;

FIG. 2 is a side elevational view thereof, all sides being identical; and,

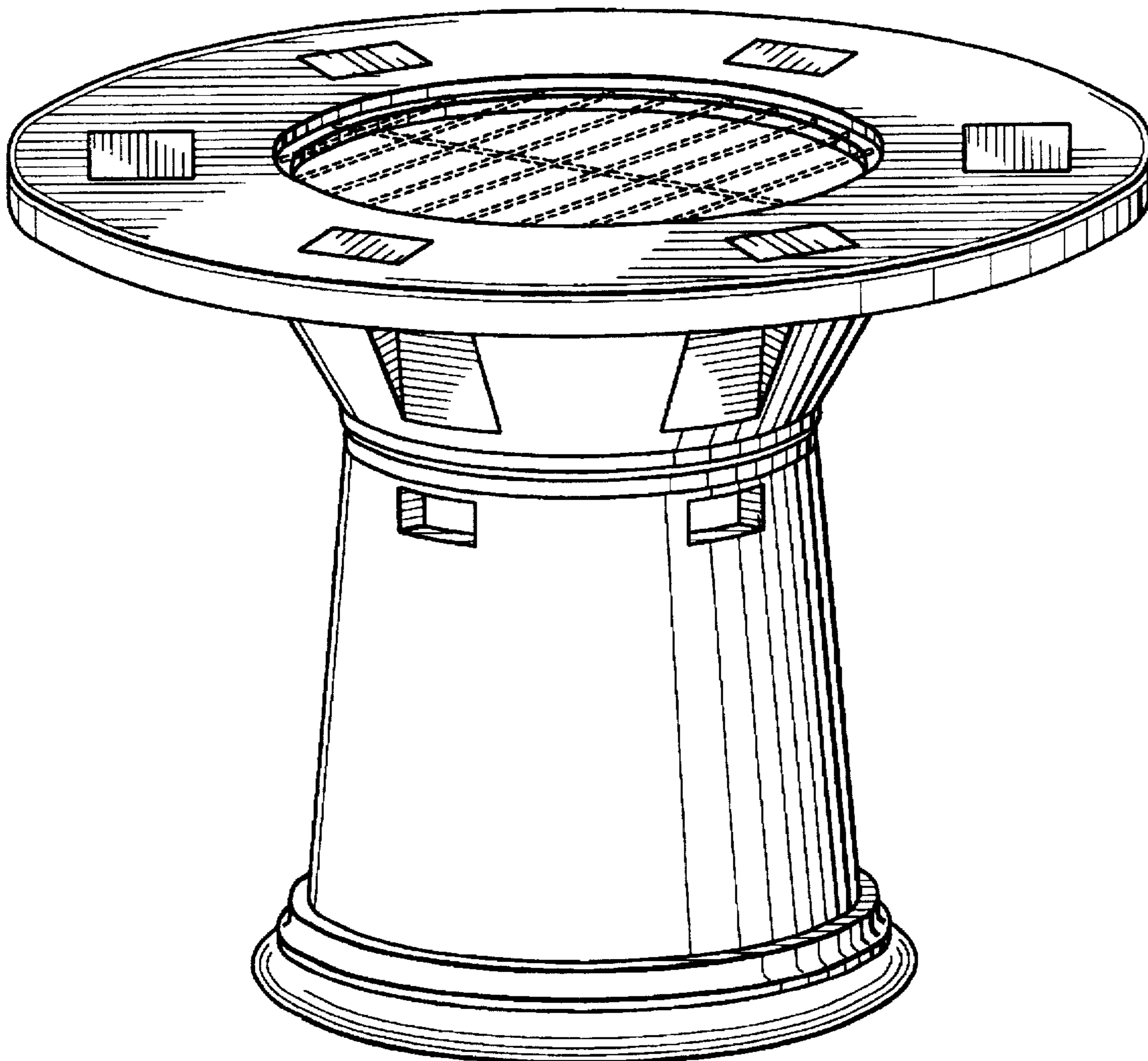
FIG. 3 is a top plan view thereof.

**1 Claim, 3 Drawing Sheets**

## [56] References Cited

### U.S. PATENT DOCUMENTS

D. 131,939	4/1942	Robinson	.....	D7/332
D. 253,931	1/1980	DeVischer et al.	.....	D7/332
D. 262,427	12/1981	Boston et al.	.....	D7/333
D. 270,987	10/1983	Scheufler	.....	D7/335
D. 286,002	10/1986	Buy	.....	D7/332



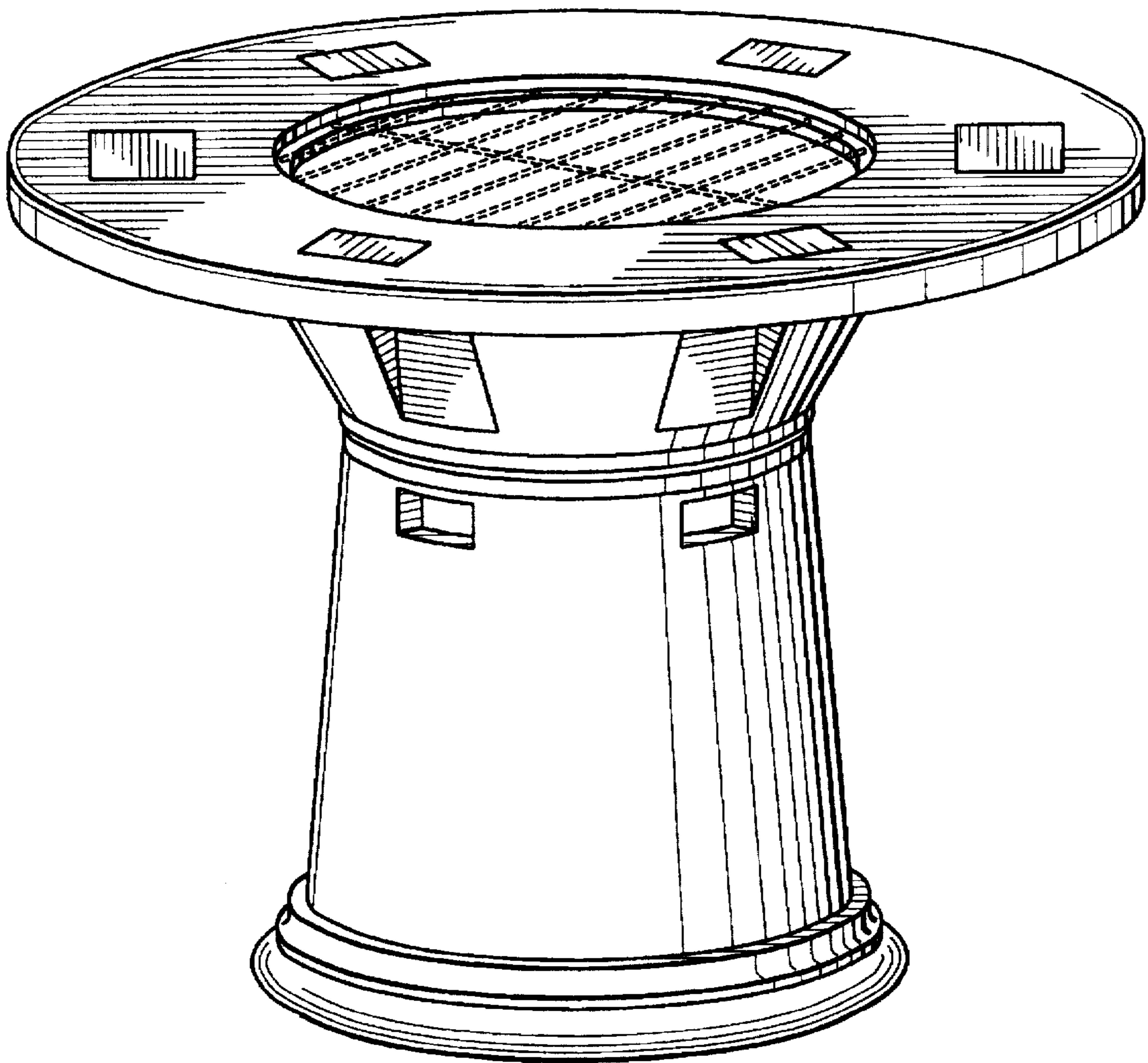


FIG. 1

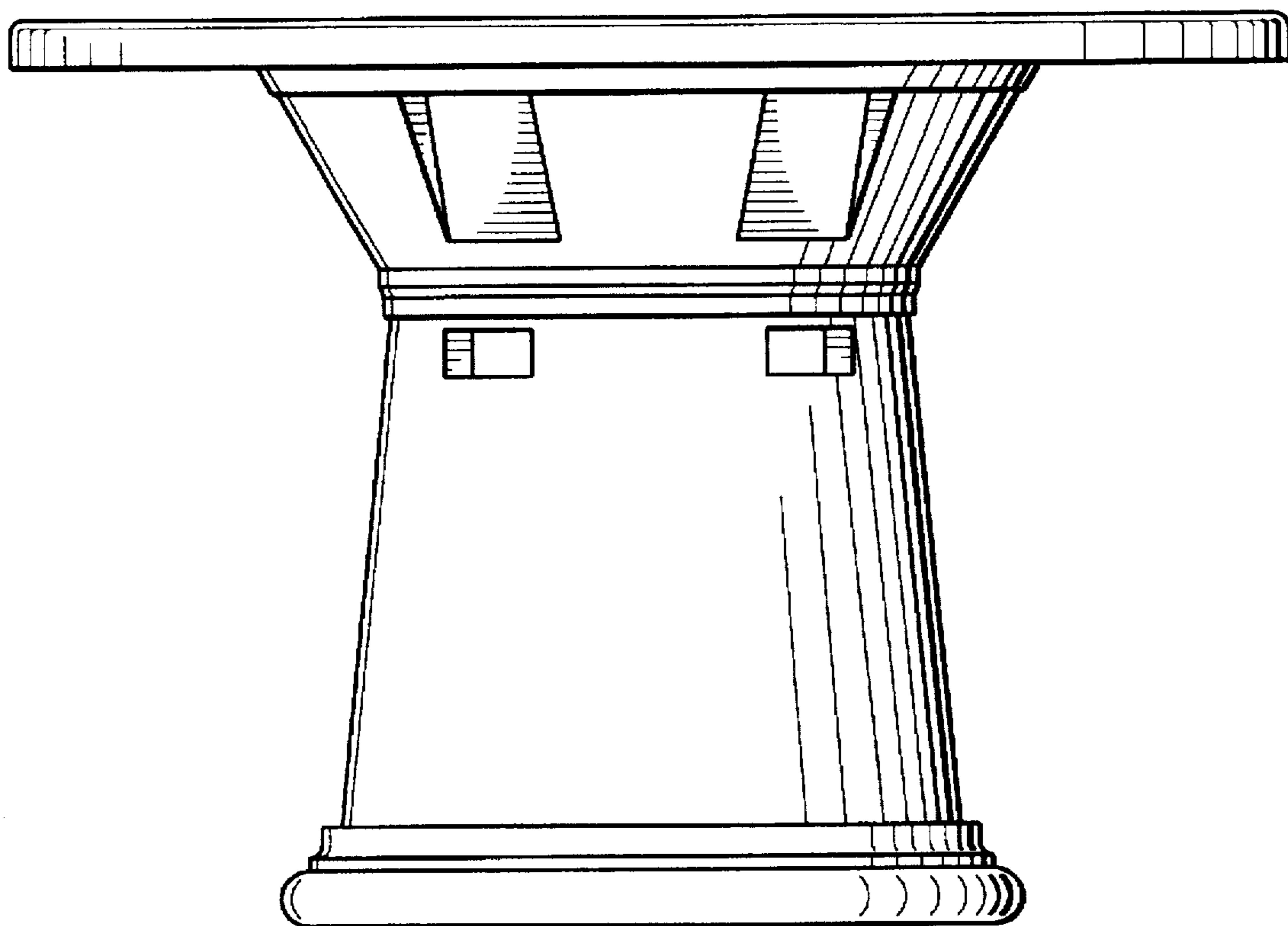


FIG. 2

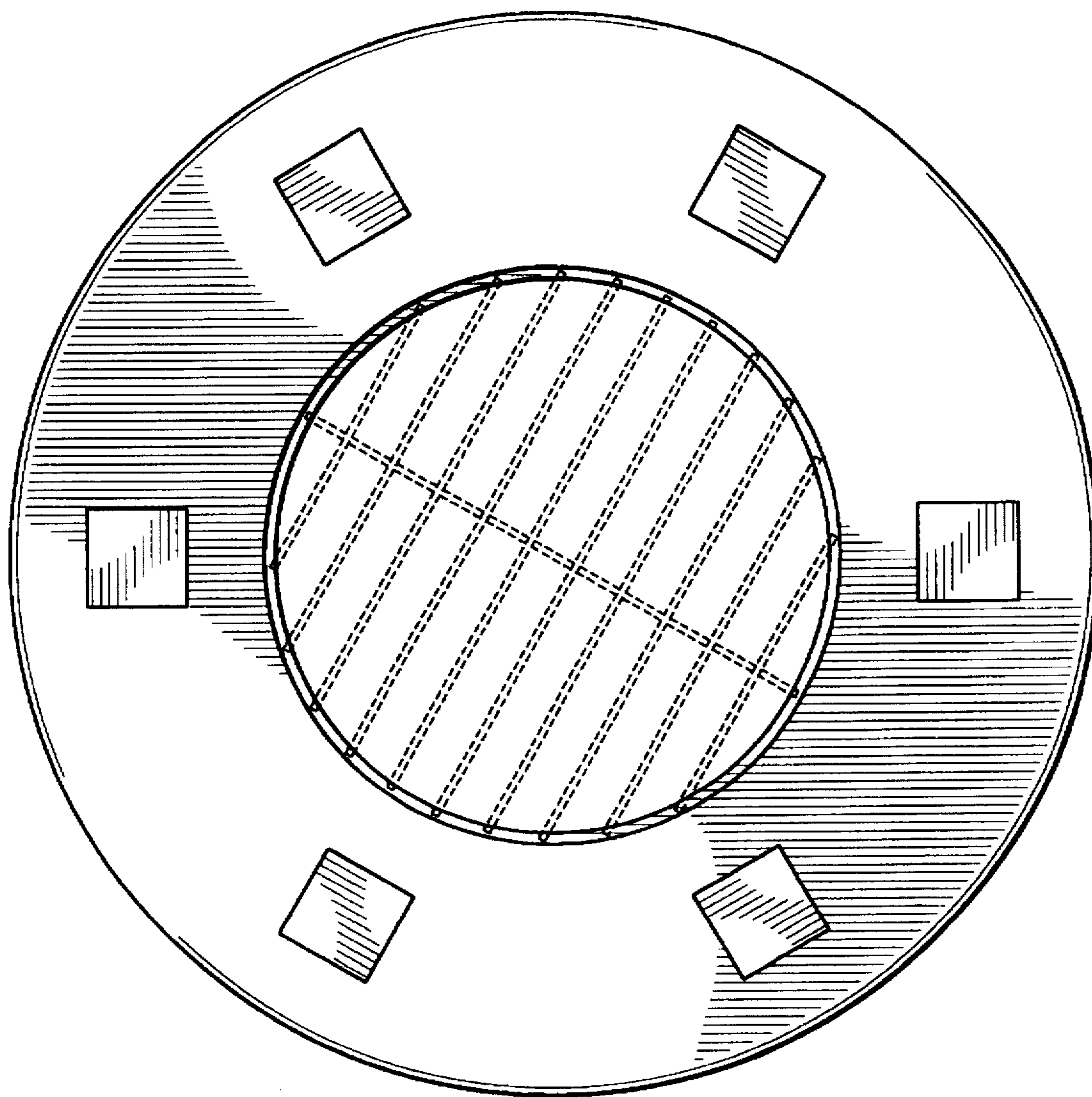


FIG. 3