

US00D389008S

United States Patent [19]

Fogassy

[11] Patent Number: **Des. 389,008**

[45] Date of Patent: ****Jan. 13, 1998**

[54] **COFFEE ROASTER**

[75] Inventor: **Karoly A. Fogassy**, Mercer Island, Wash.

[73] Assignee: **Java Trading Co.**, Mercer Island, Wash.

[**] Term: **14 Years**

[21] Appl. No.: **56,170**

[22] Filed: **Jun. 25, 1996**

[51] **LOC (6) Cl.** **07-02**

[52] **U.S. Cl.** **D7/323**

[58] **Field of Search** D7/323, 339, 368; 426/523; 99/286; 34/108, 603

[56] **References Cited**

U.S. PATENT DOCUMENTS

- D. 282,618 2/1986 McBrien D7/323
- D. 316,798 5/1991 Munk D7/338
- D. 366,808 2/1996 Newnan D7/402
- D. 373,046 8/1996 Newnan D7/323

- 3,153,377 10/1964 Bosak D7/323
- 4,860,461 8/1989 Tamaki et al. D7/323
- 5,374,435 12/1994 Silvestrini et al. D7/402
- 5,394,623 3/1995 Sewell D7/323

Primary Examiner—Ruth McInroy
Attorney, Agent, or Firm—Seed and Berry LLP

[57] **CLAIM**

The ornamental design for a coffee roaster, as shown and described.

DESCRIPTION

FIG. 1 is a front perspective view of a coffee roaster showing my new design;

FIG. 2 is a rear elevational view thereof;

FIG. 3 is a right side elevational view thereof;

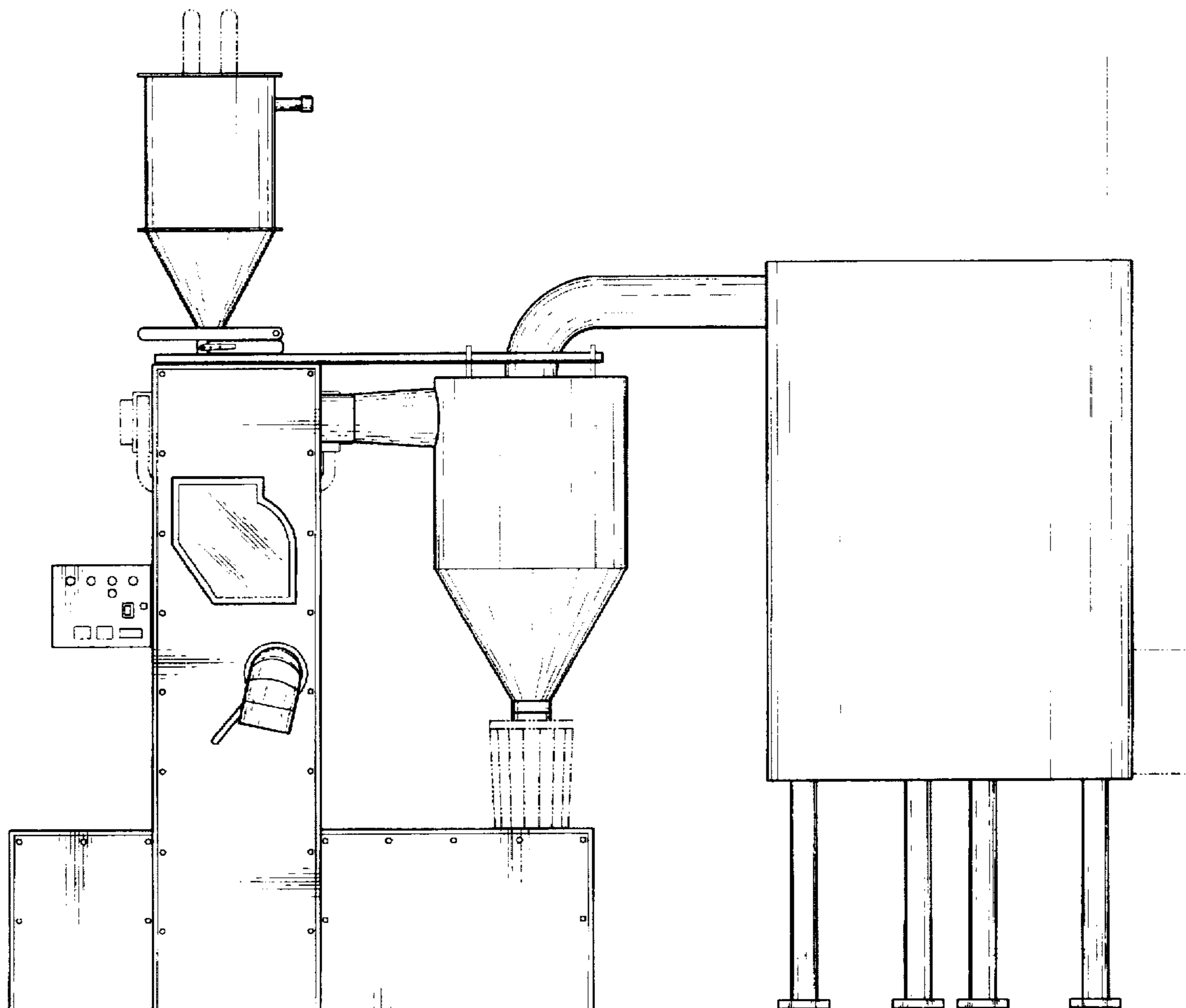
FIG. 4 is a left side elevational view thereof;

FIG. 5 is a top plan view thereof; and,

FIG. 6 is a bottom plan view thereof.

The broken lines are for illustrative purposes only and form no part of the claimed design.

1 Claim, 4 Drawing Sheets



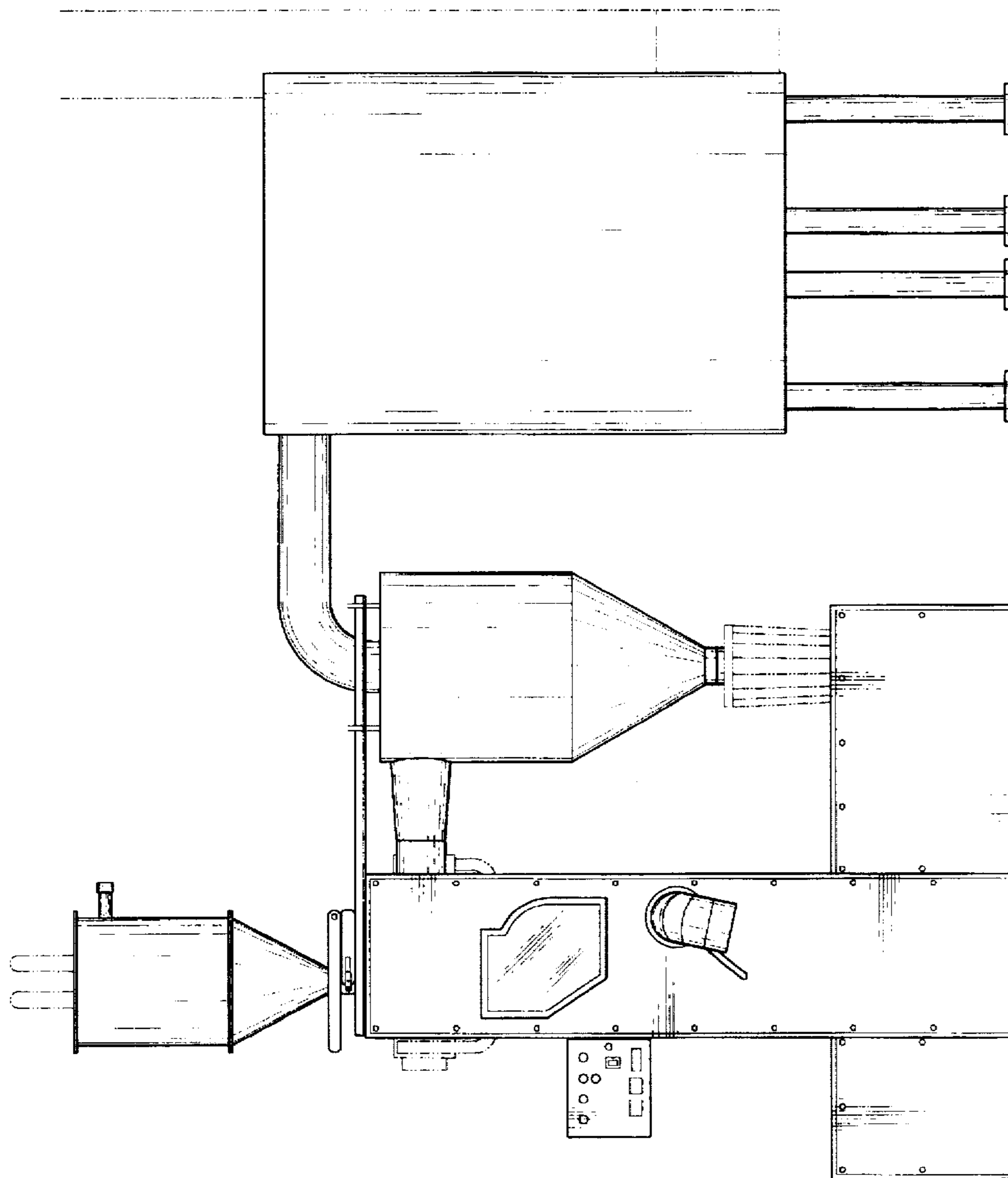


Fig. 1

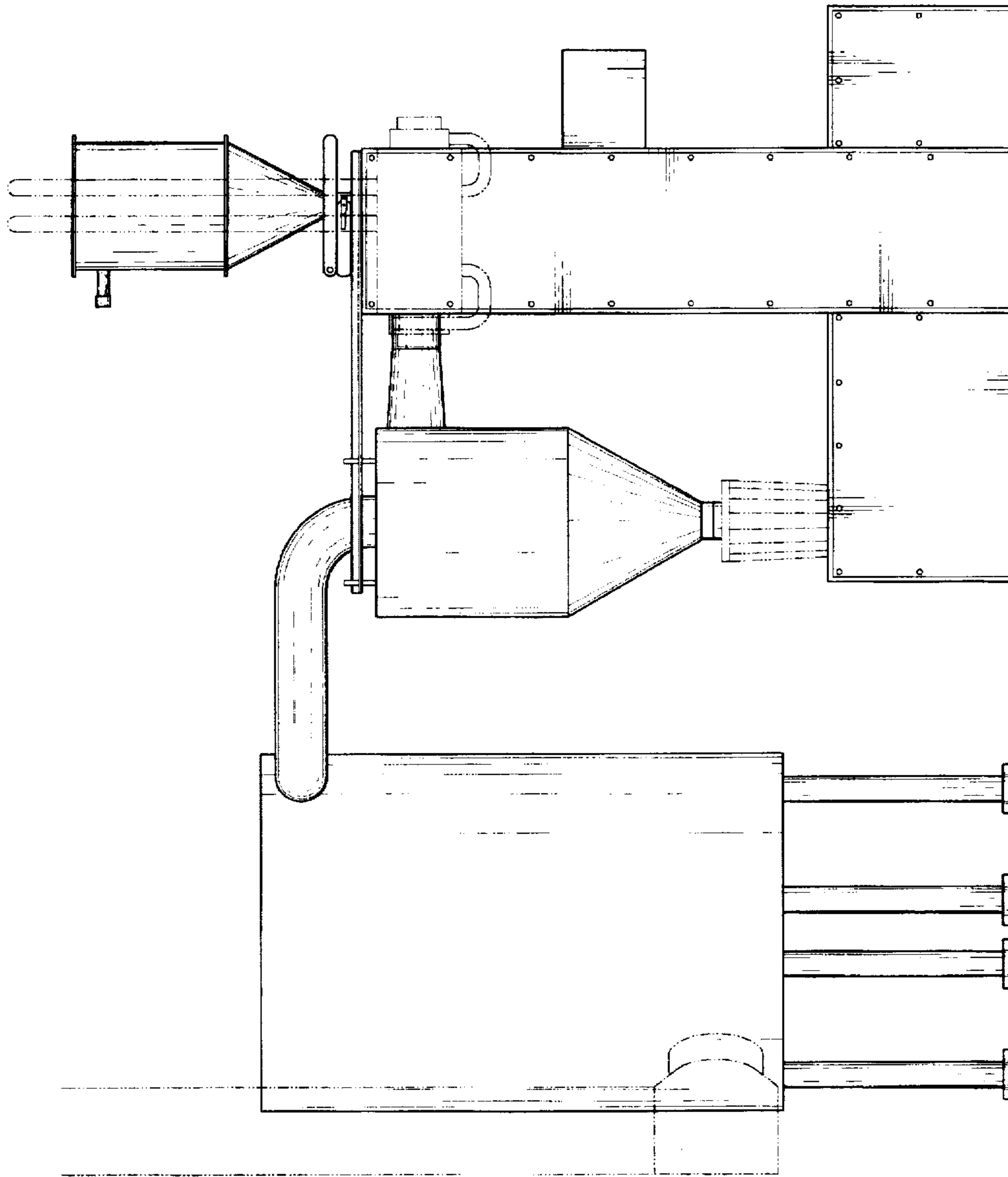


Fig. 2

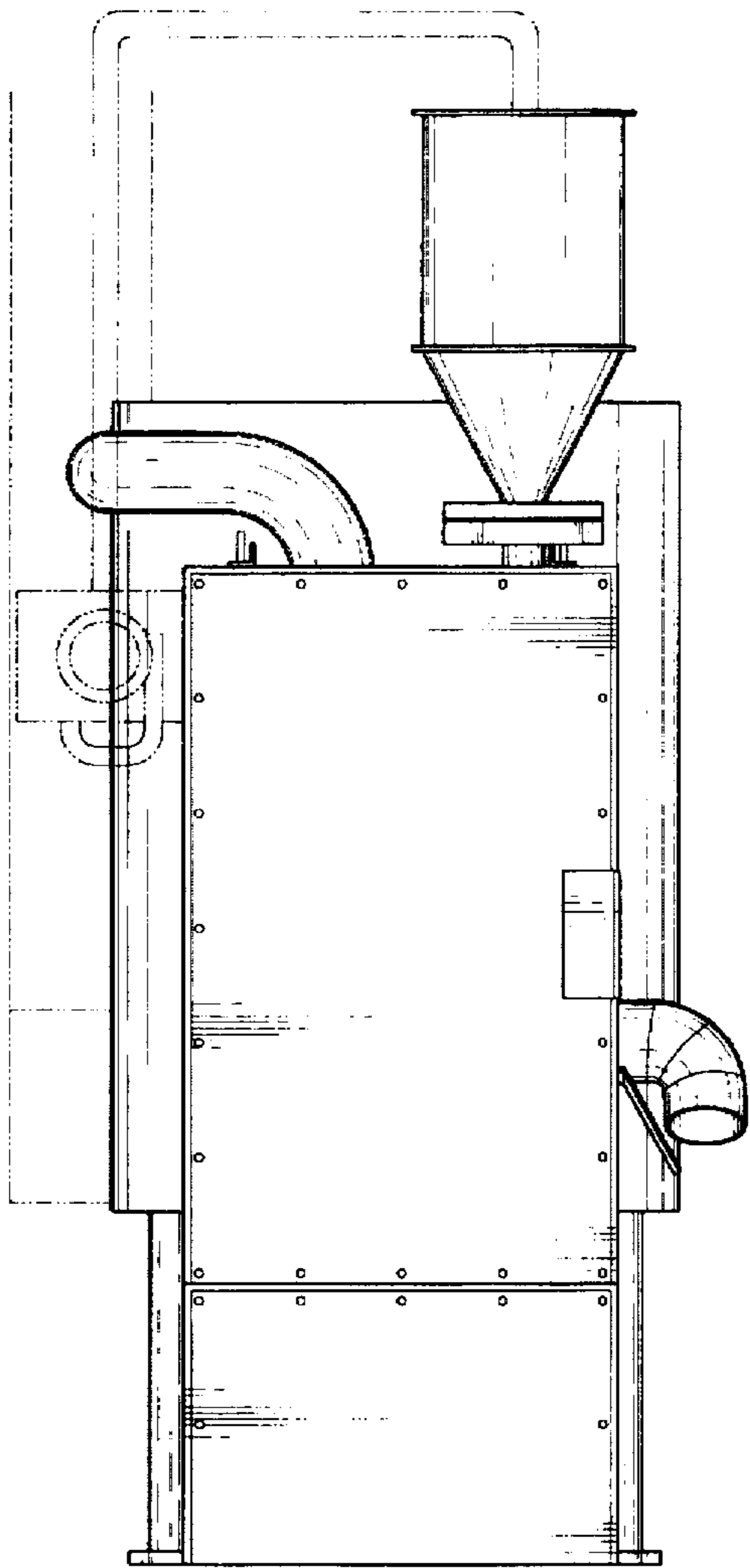


Fig. 3

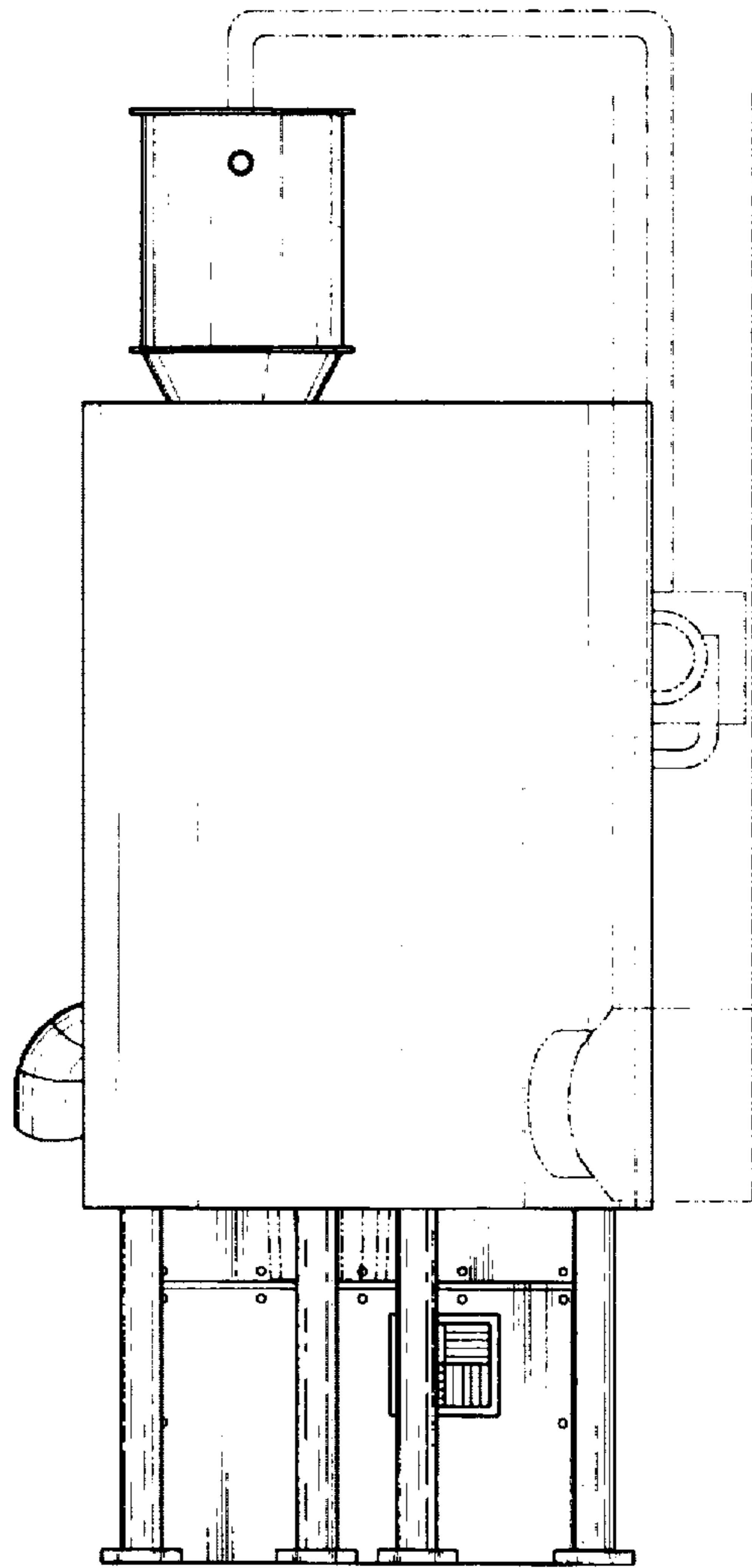


Fig. 4

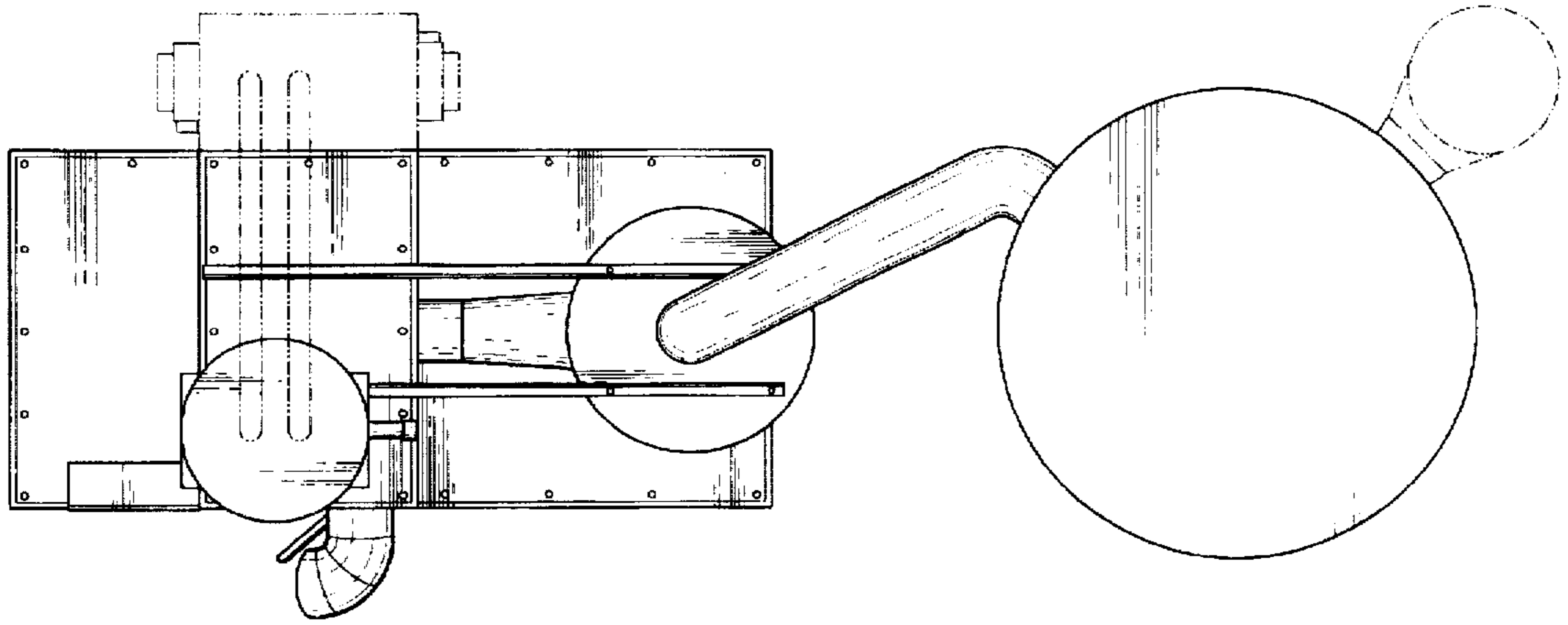


Fig. 5

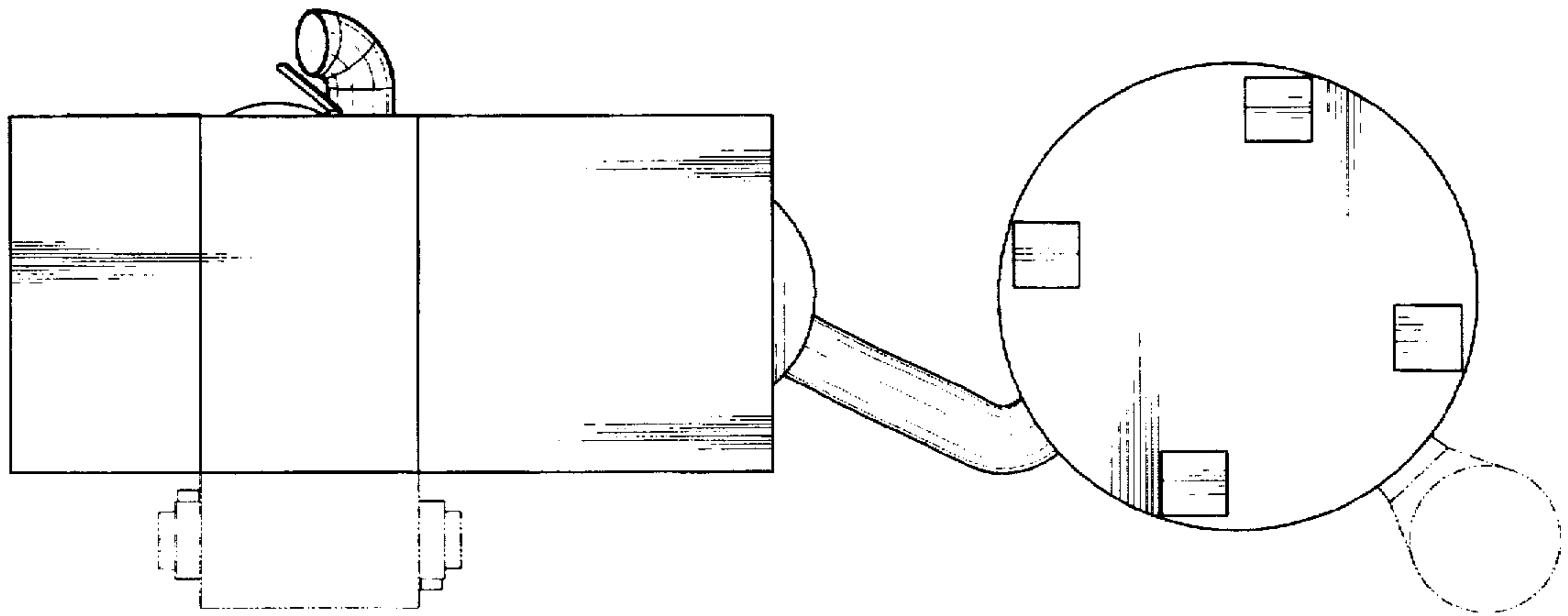


Fig. 6