



US00D389003S

# United States Patent [19]

Wilcox

[11] Patent Number: **Des. 389,003**

[45] Date of Patent: **\*\*Jan. 13, 1998**

[54] **BELT RACK**

[75] Inventor: **Jay P. Wilcox**, Cedarburg, Wis.

[73] Assignee: **Allen-Edmonds Shoe Corporation**,  
Port Washington, Wis.

[\*\*] Term: **14 Years**

[21] Appl. No.: **53,492**

[22] Filed: **Apr. 24, 1996**

[51] LOC (6) Cl. .... **06-08**

[52] U.S. Cl. .... **D6/319**

[58] Field of Search ..... D6/315, 317, 318,  
D6/319, 323; D8/367, 371; 211/113; 223/85,  
92, DIG. 1

### [56] References Cited

#### U.S. PATENT DOCUMENTS

D. 217,362	4/1970	Weinman	.....	D6/315
D. 230,449	2/1974	Cohen	.....	D6/411 X
D. 291,031	7/1987	Luongo	.....	D6/317 X
D. 365,214	12/1995	Wilcox	.....	D6/315 X

Primary Examiner—Terry A. Wallace

Attorney, Agent, or Firm—Andrus, Scales, Starke & Sawall

### [57] CLAIM

The ornamental design for a belt rack, as shown and described.

### DESCRIPTION

FIG. 1 is a front perspective view of a belt rack showing my new design;

FIG. 2 is a front elevational view thereof, the rear elevational view being identical;

FIG. 3 is a top plan view thereof;

FIG. 4 is a bottom plan view thereof;

FIG. 5 is a right side elevational view thereof;

FIG. 6 is a left side elevational view thereof;

FIG. 7 is a front elevational view of another embodiment of FIG. 1, the rear elevational view being identical;

FIG. 8 is a top plan view of the FIG. 7 embodiment;

FIG. 9 is a bottom plan view of the FIG. 7 embodiment;

FIG. 10 is a right side elevational view of the FIG. 7 embodiment; and,

FIG. 11 is a left side elevational view of the FIG. 7 embodiment.

1 Claim, 4 Drawing Sheets

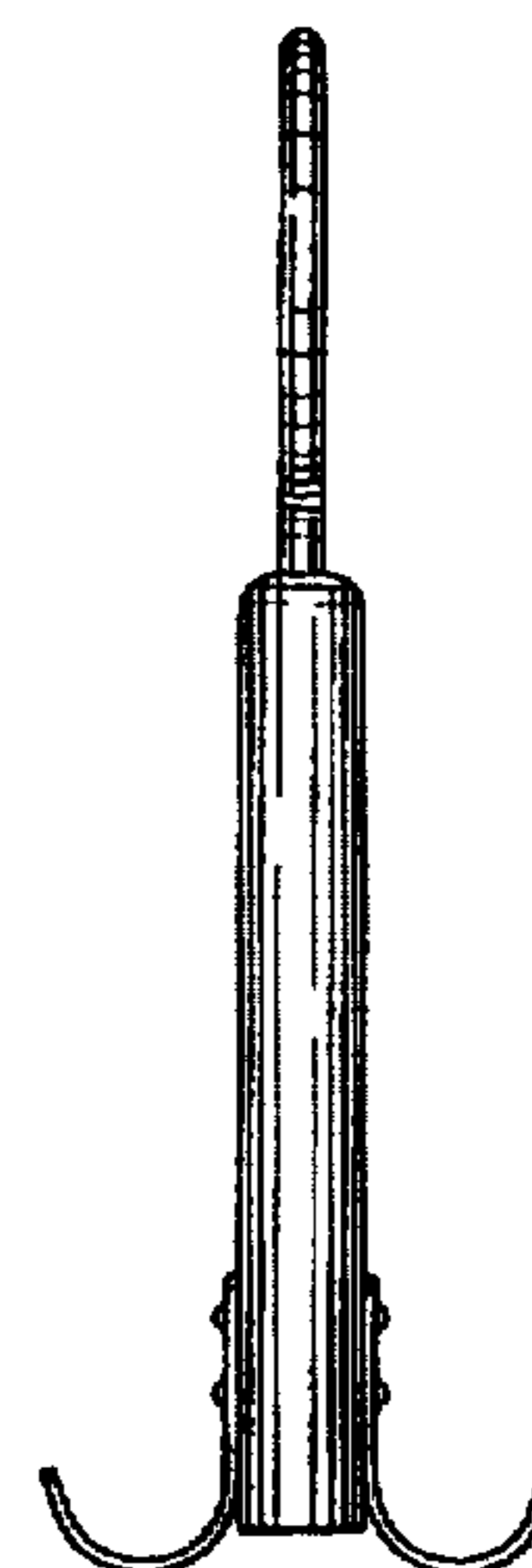
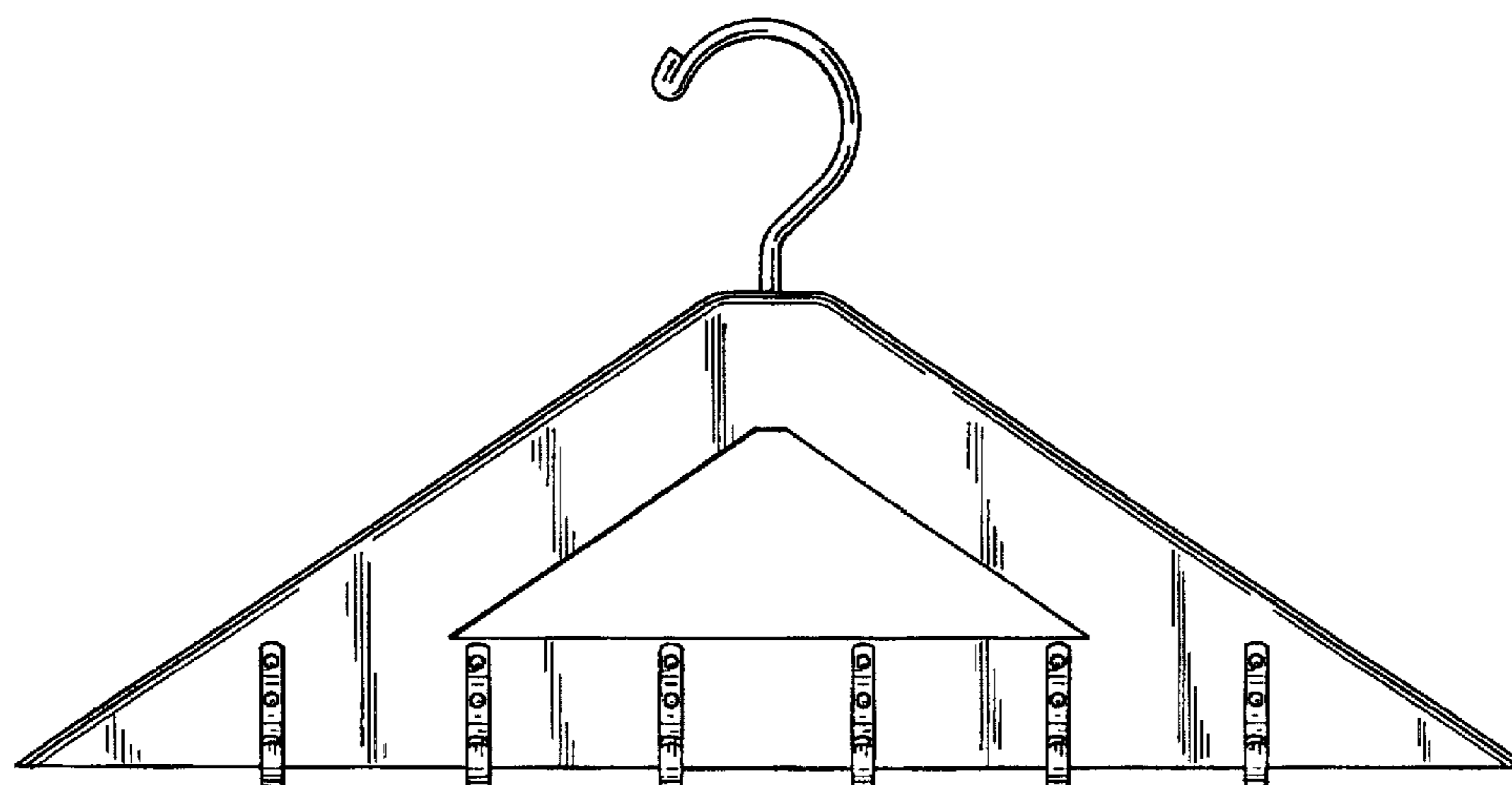


FIG. 1

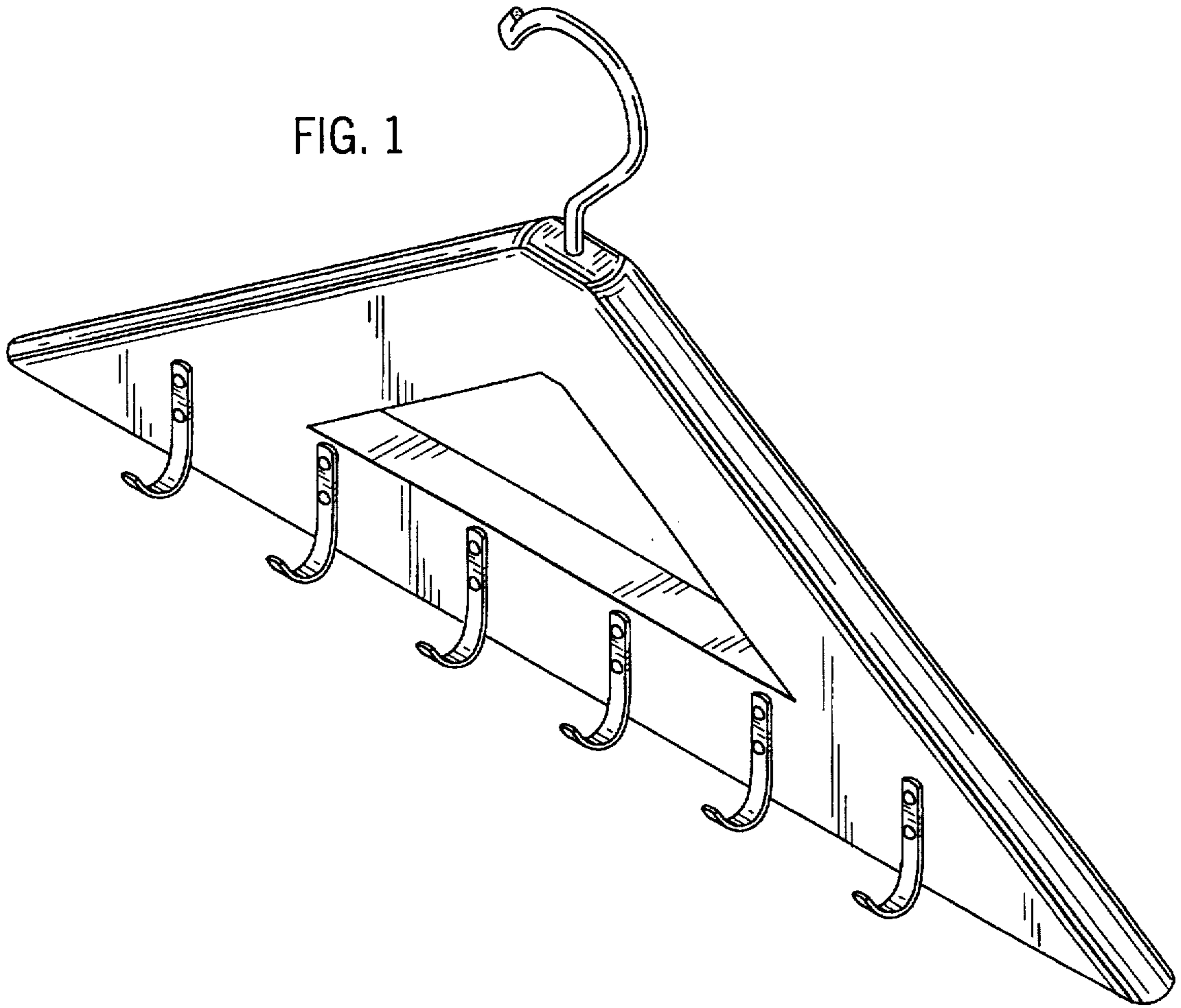


FIG. 2

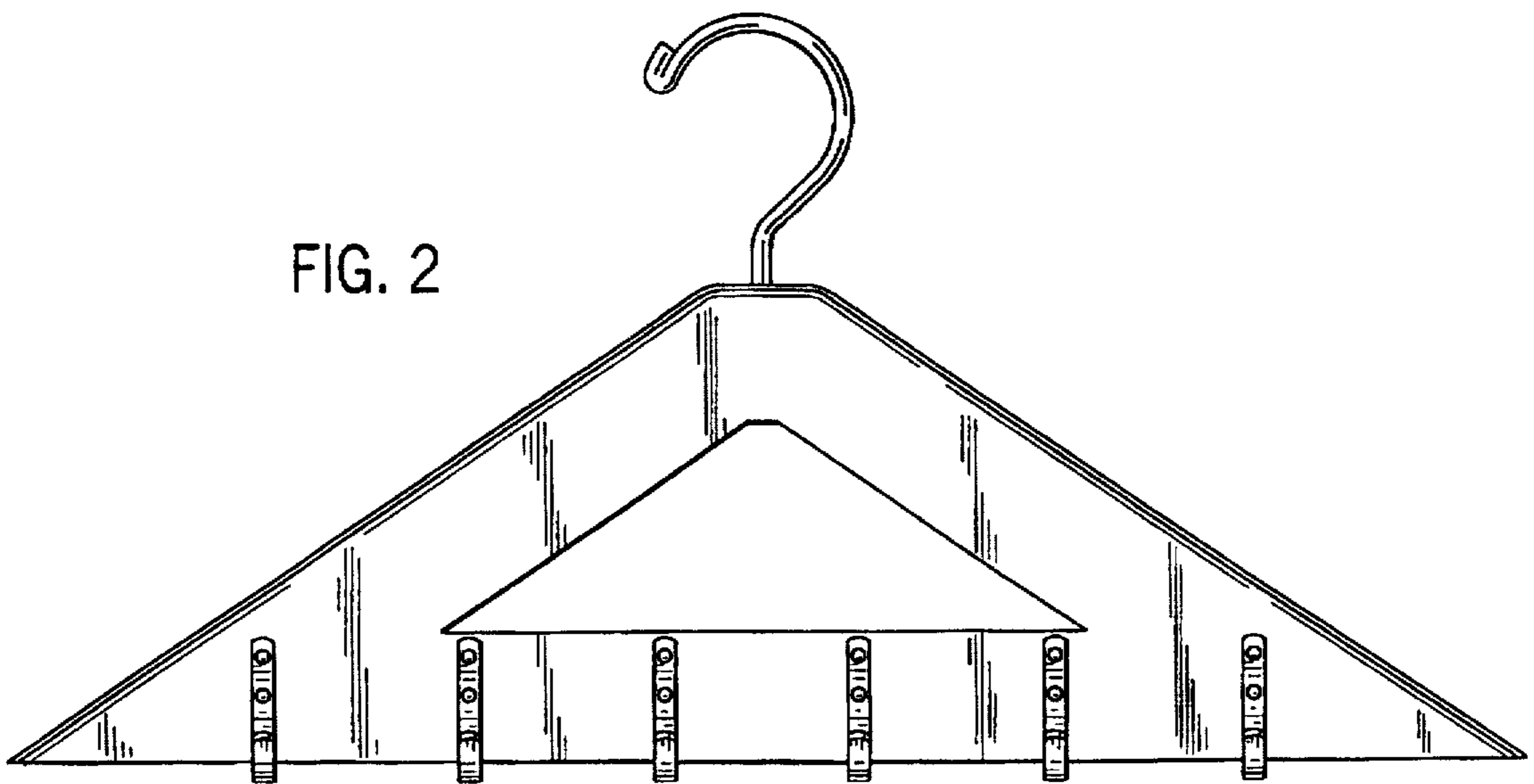


FIG. 3

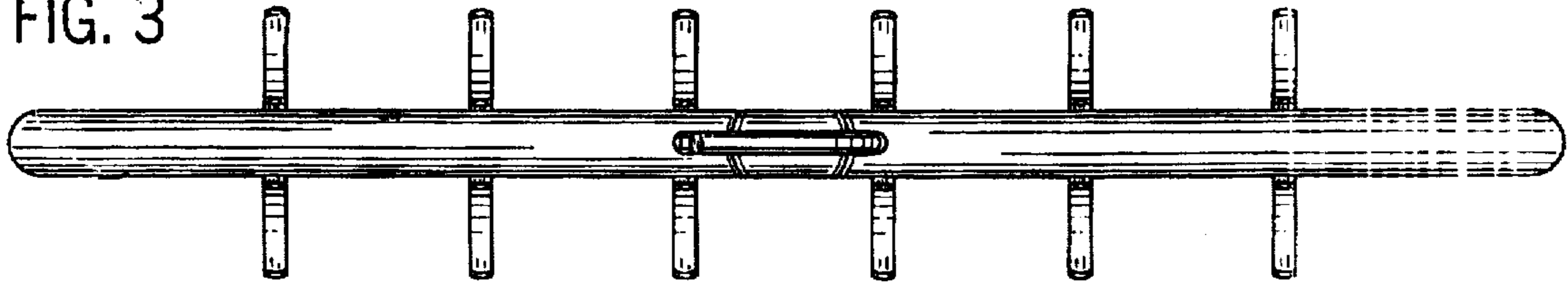


FIG. 4

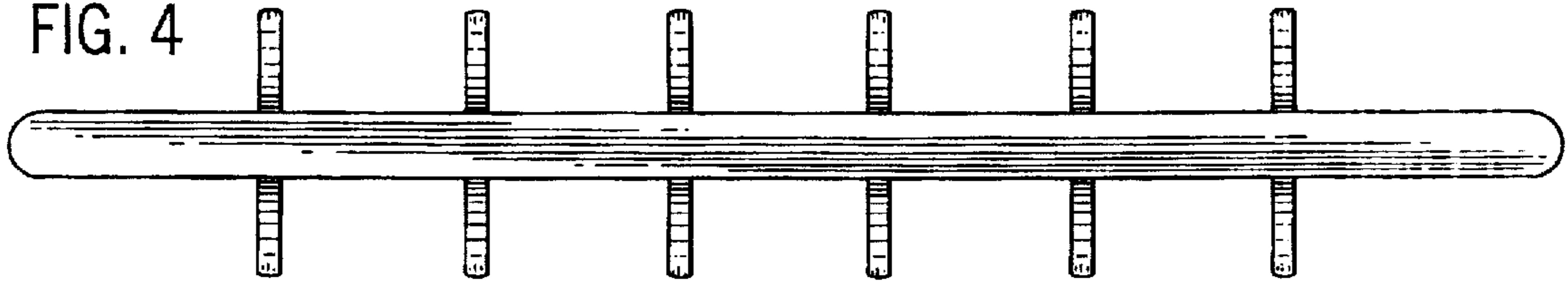


FIG. 5

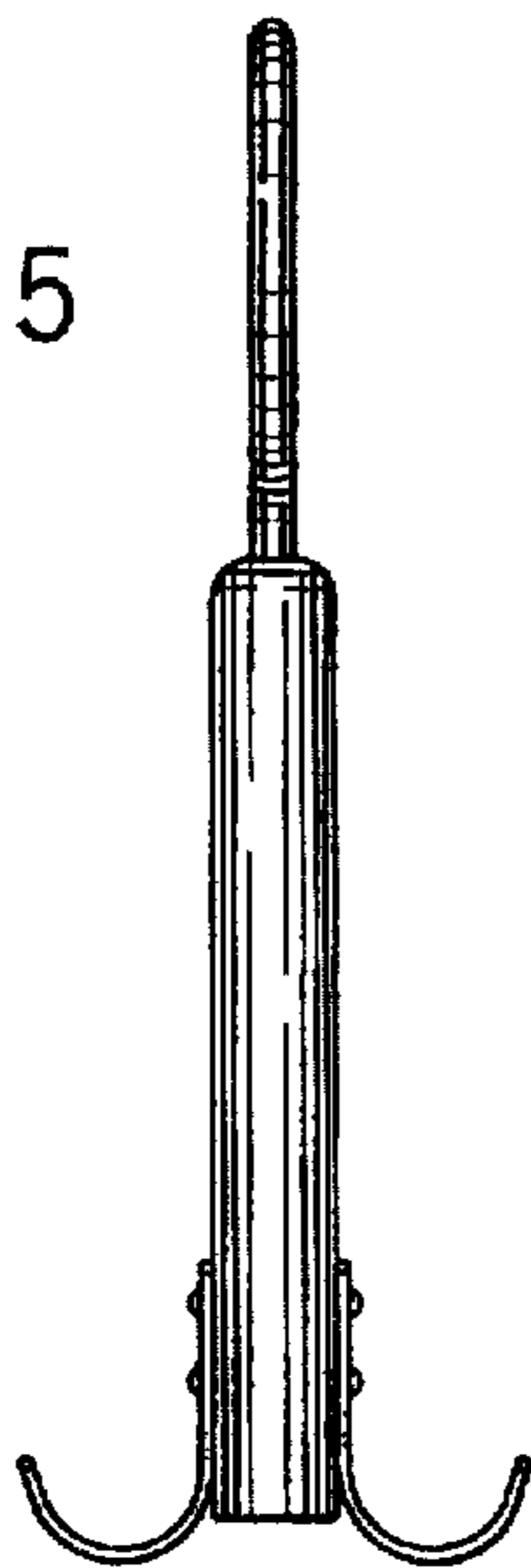


FIG. 6

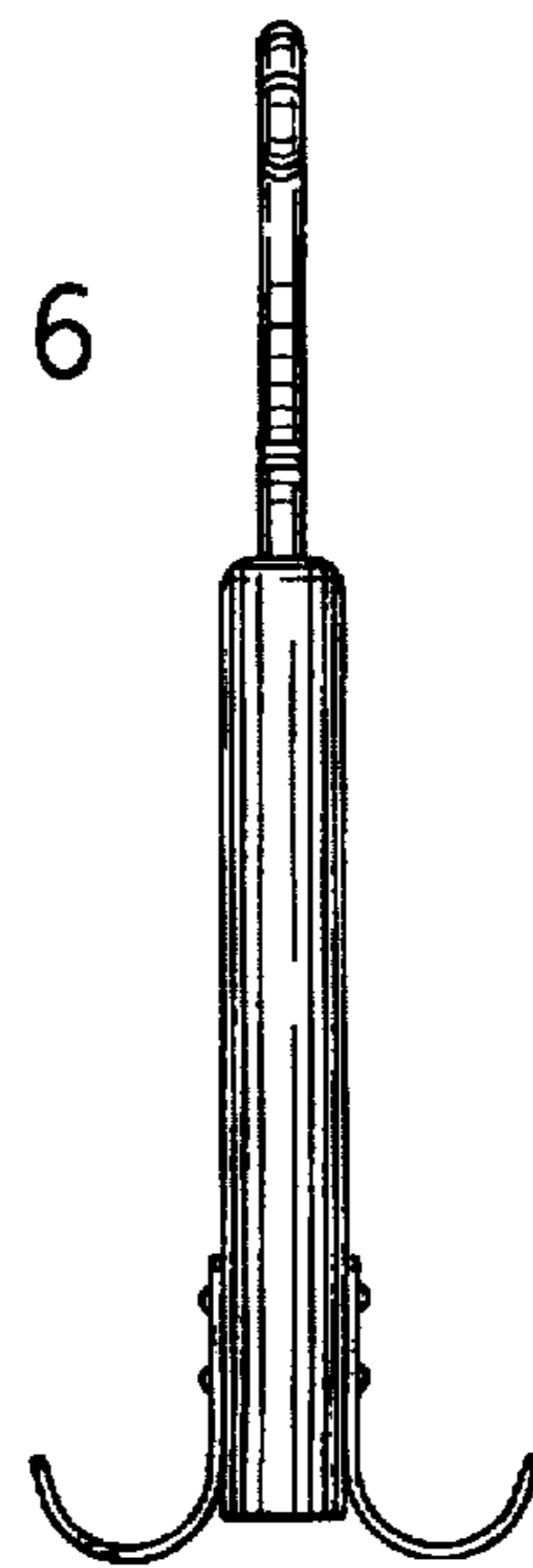


FIG. 7

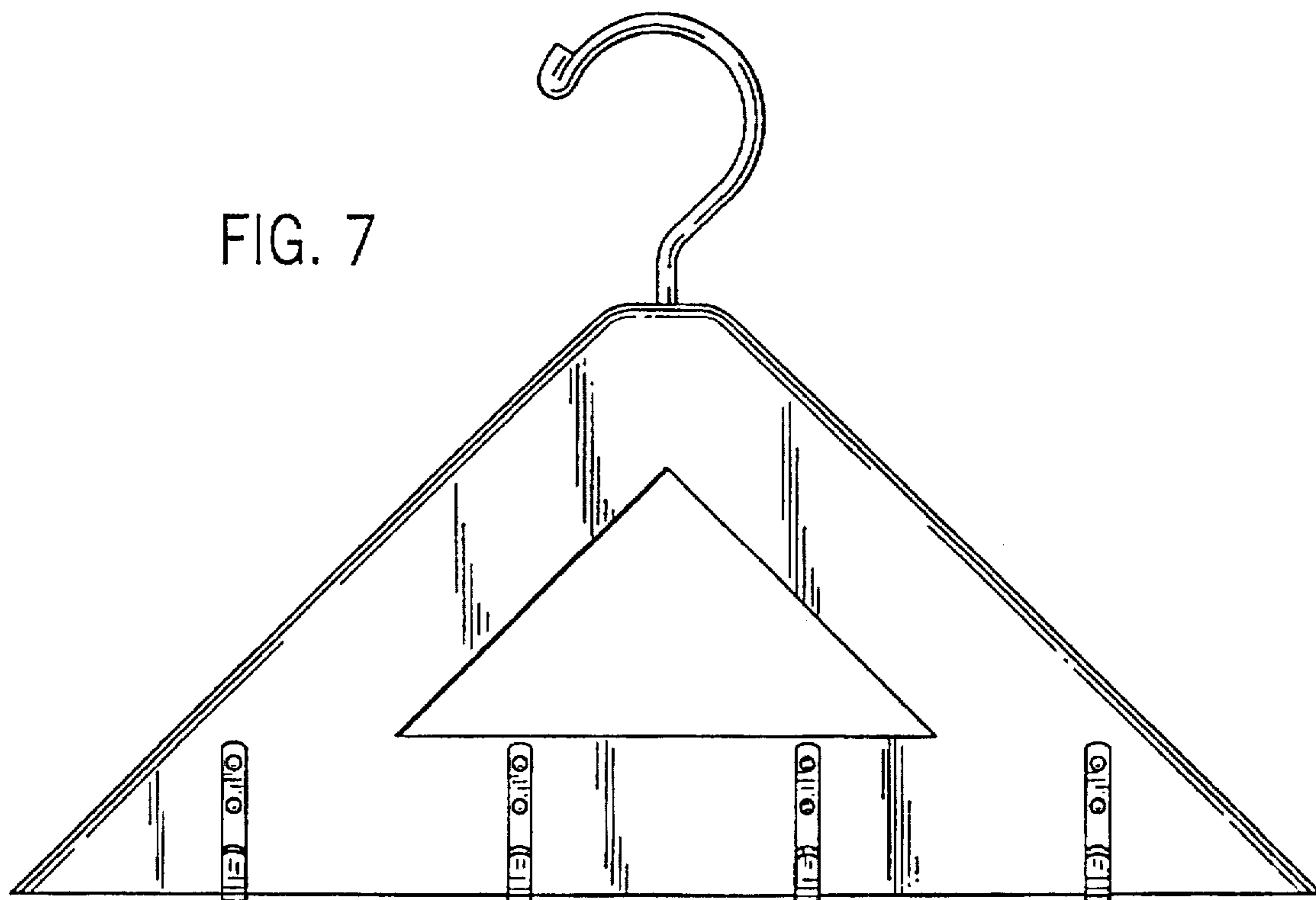


FIG. 8

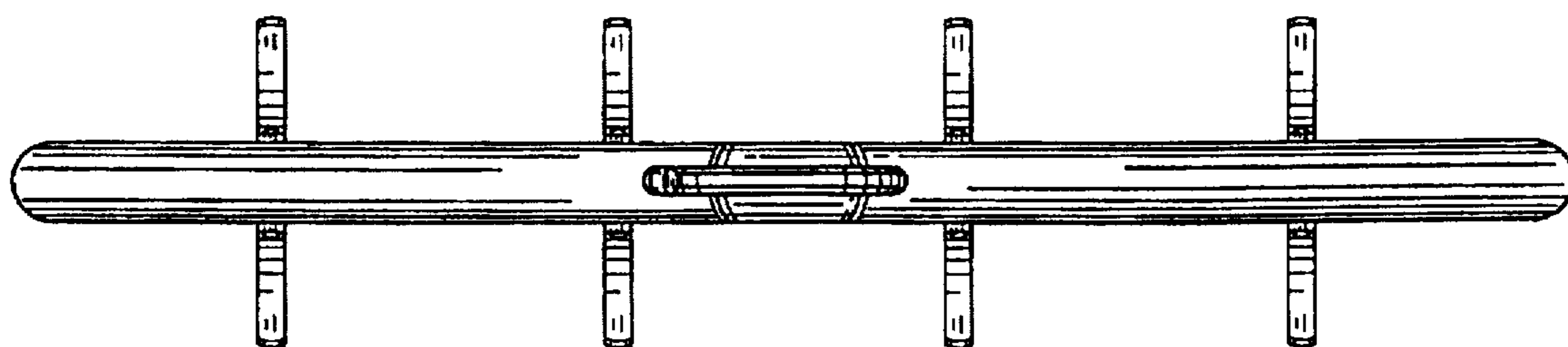


FIG. 9

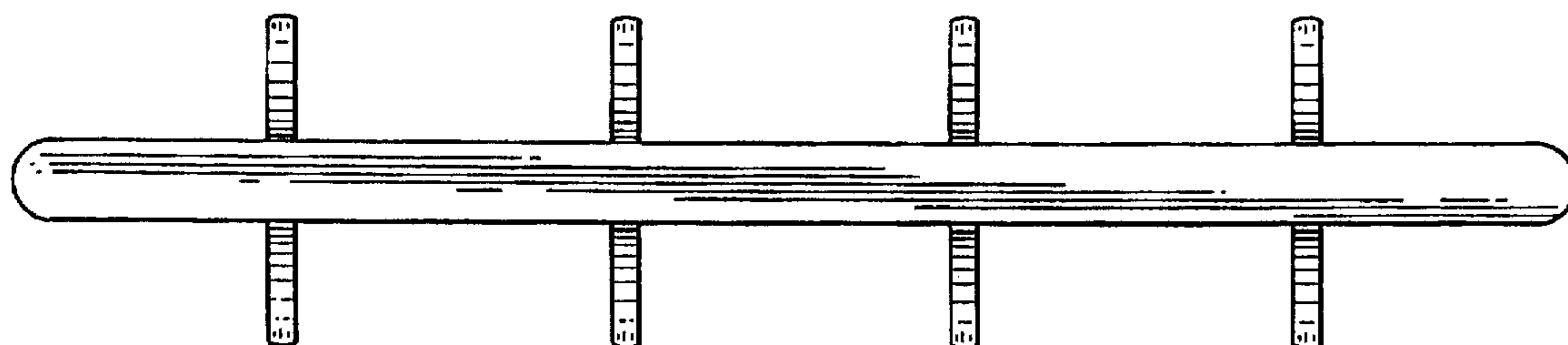


FIG. 10

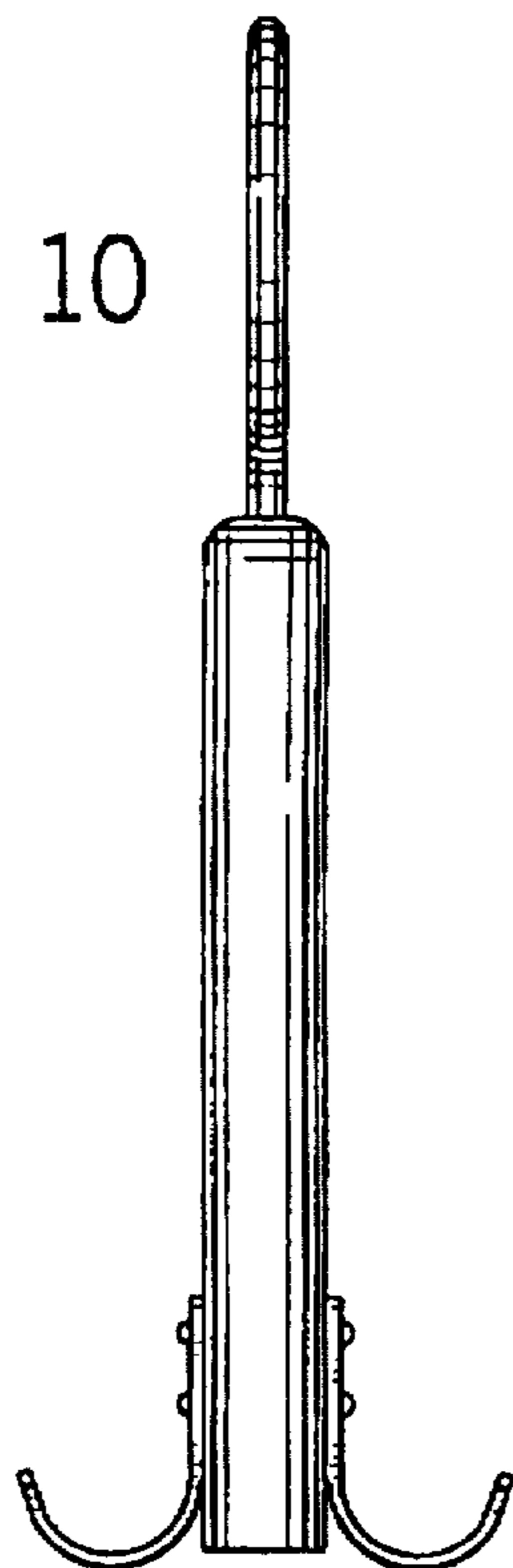


FIG. 11

