



US00D389000S

# United States Patent [19] Etingin

[11] Patent Number: **Des. 389,000**  
[45] Date of Patent: **\*\*Jan. 13, 1998**

[54] **BOX FOR STORAGE OF COMPUTER DISKS**

[76] Inventor: **Gregory Etingin**, 62 Arlington St.,  
Westmount, Que., Canada, H3Y 2W4

[\*\*] Term: **14 Years**

[21] Appl. No.: **53,465**

[22] Filed: **Apr. 23, 1996**

[51] **LOC (6) Cl.** ..... **06-04**

[52] **U.S. Cl.** ..... **D6/632; D6/634; 206/308.3**

[58] **Field of Search** ..... **D6/407, 626-635;**  
**206/308.3, 387.1, 387.14, 387.15, 425,**  
**509, 511, 379, 351**

[56] **References Cited**

**U.S. PATENT DOCUMENTS**

D. 281,464	11/1985	Drake	.....	D6/634
D. 297,072	8/1988	Evans	.....	D6/634
D. 350,044	8/1994	Long et al.	.....	D6/632
D. 355,559	2/1995	Goekler	.....	D6/634
D. 360,434	7/1995	Sheng-Fu	.....	D6/634

D. 361,090 8/1995 Murphy ..... D6/634

*Primary Examiner*—Cathy Anne MacCormac  
*Attorney, Agent, or Firm*—Mila Shvartsman

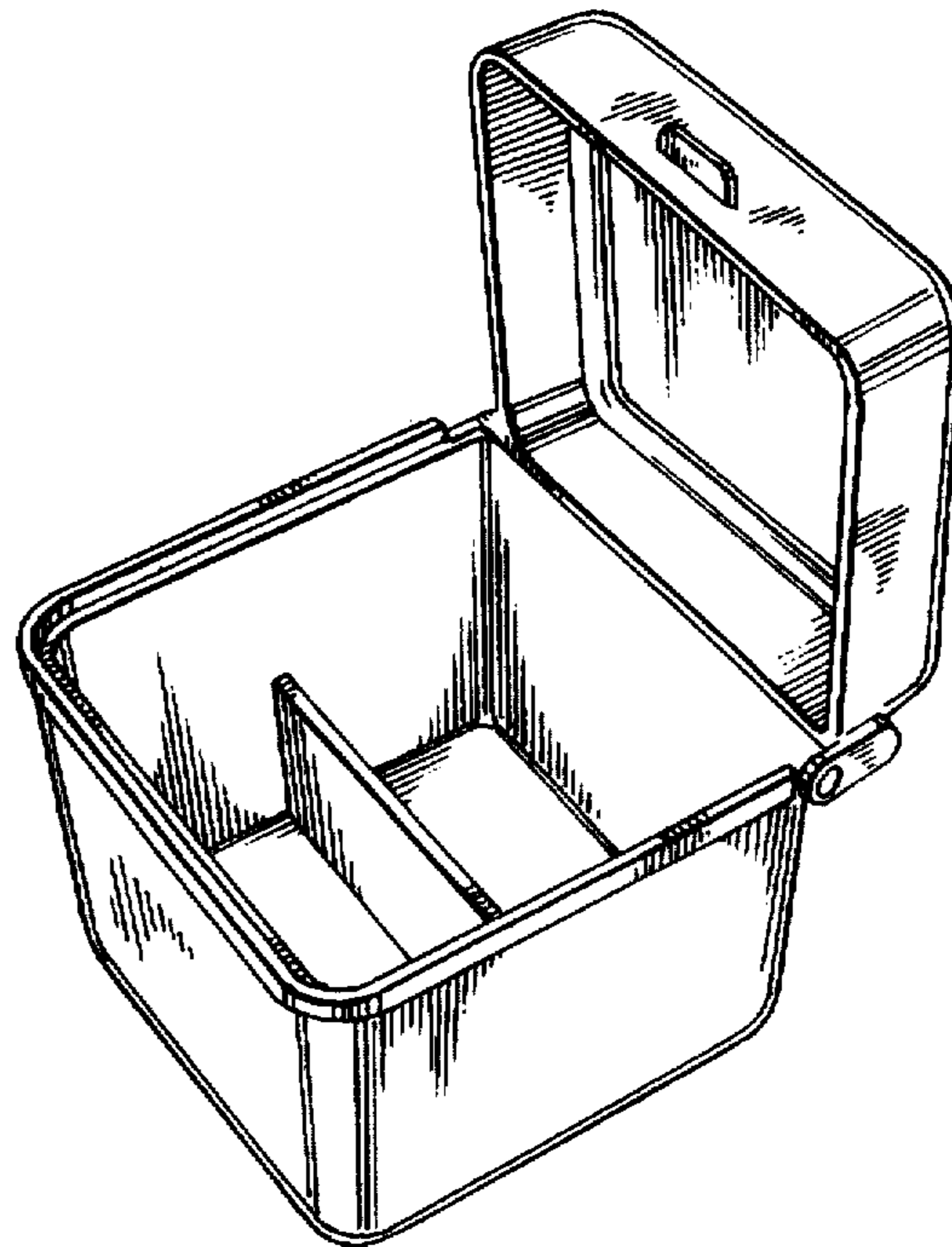
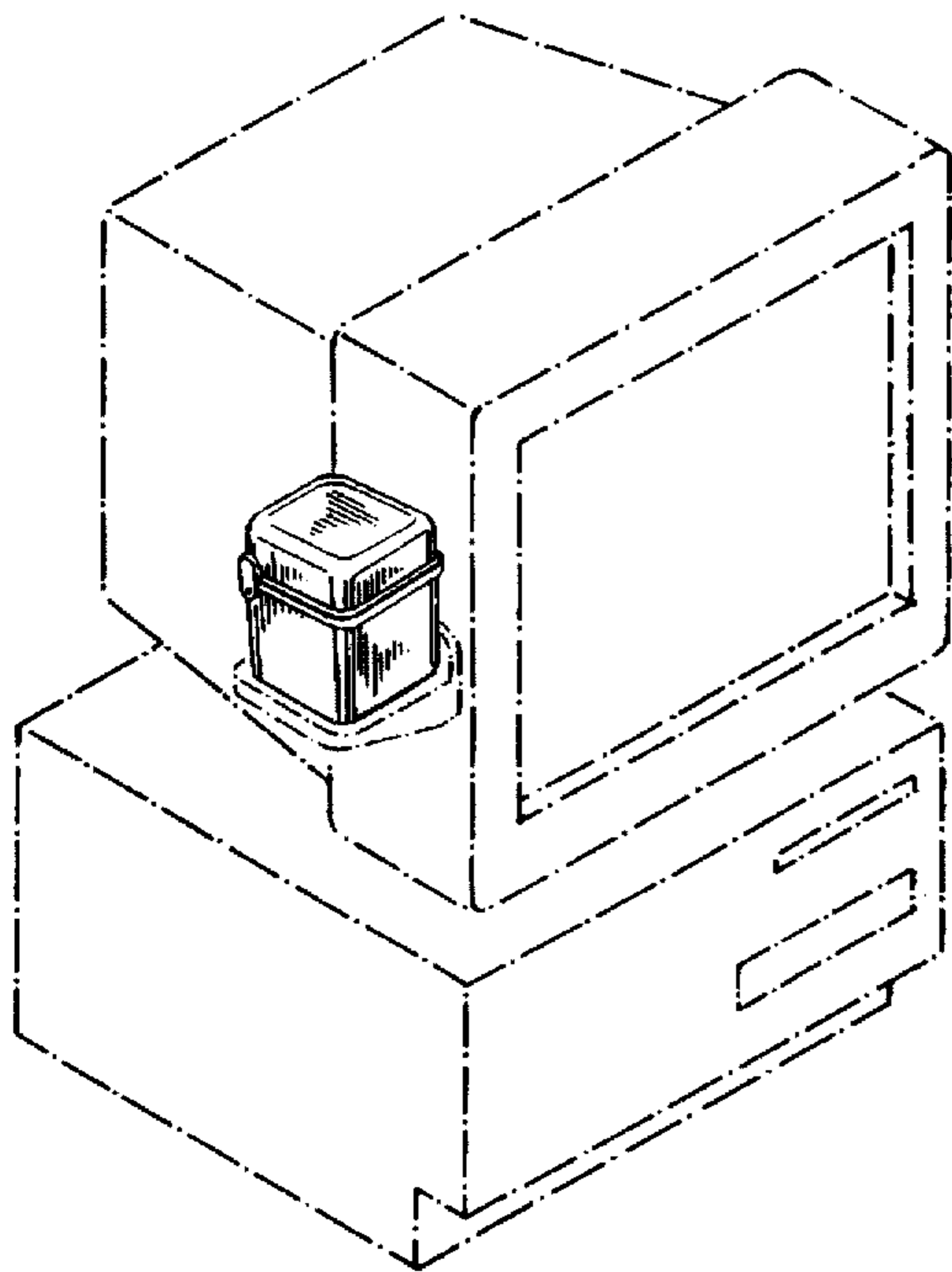
[57] **CLAIM**

The ornamental design for a box for storage of computer disks, as shown and described.

**DESCRIPTION**

FIG. 1 is a perspective view of a box for storage of computer disks showing my new design;  
FIG. 2 is the front view of FIG. 1;  
FIG. 3 is the back view of FIG. 1;  
FIG. 4 is the right-side view of FIG. 1;  
FIG. 5 is the left-side view of FIG. 1;  
FIG. 6 is a top view of FIG. 1;  
FIG. 7 is a bottom view of FIG. 1; and,  
FIG. 8 is another perspective view thereof, the broken lines showing the computer monitor are for purposes of illustration only and form no part of the claimed design.

**1 Claim, 4 Drawing Sheets**



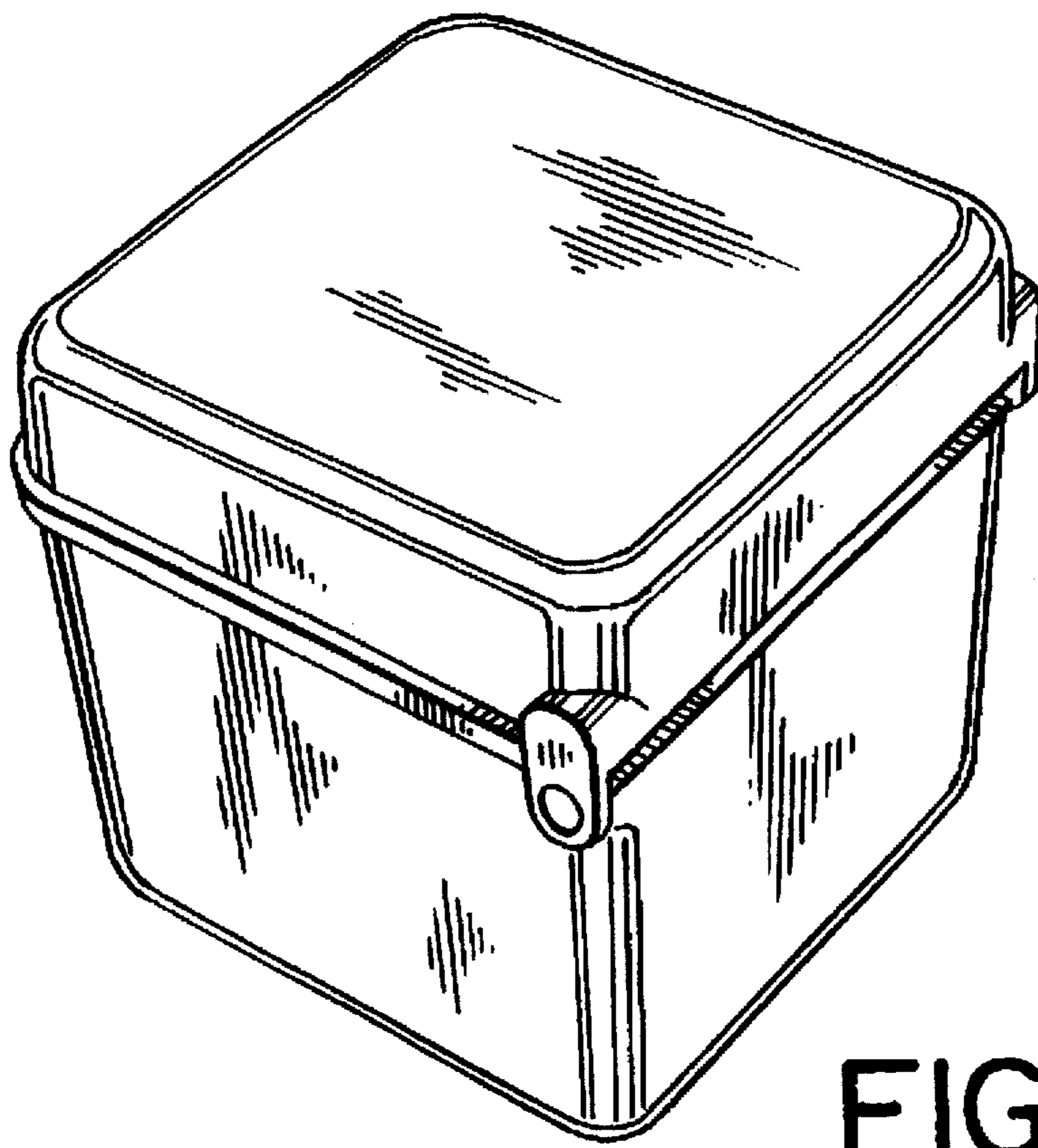


FIG. 1

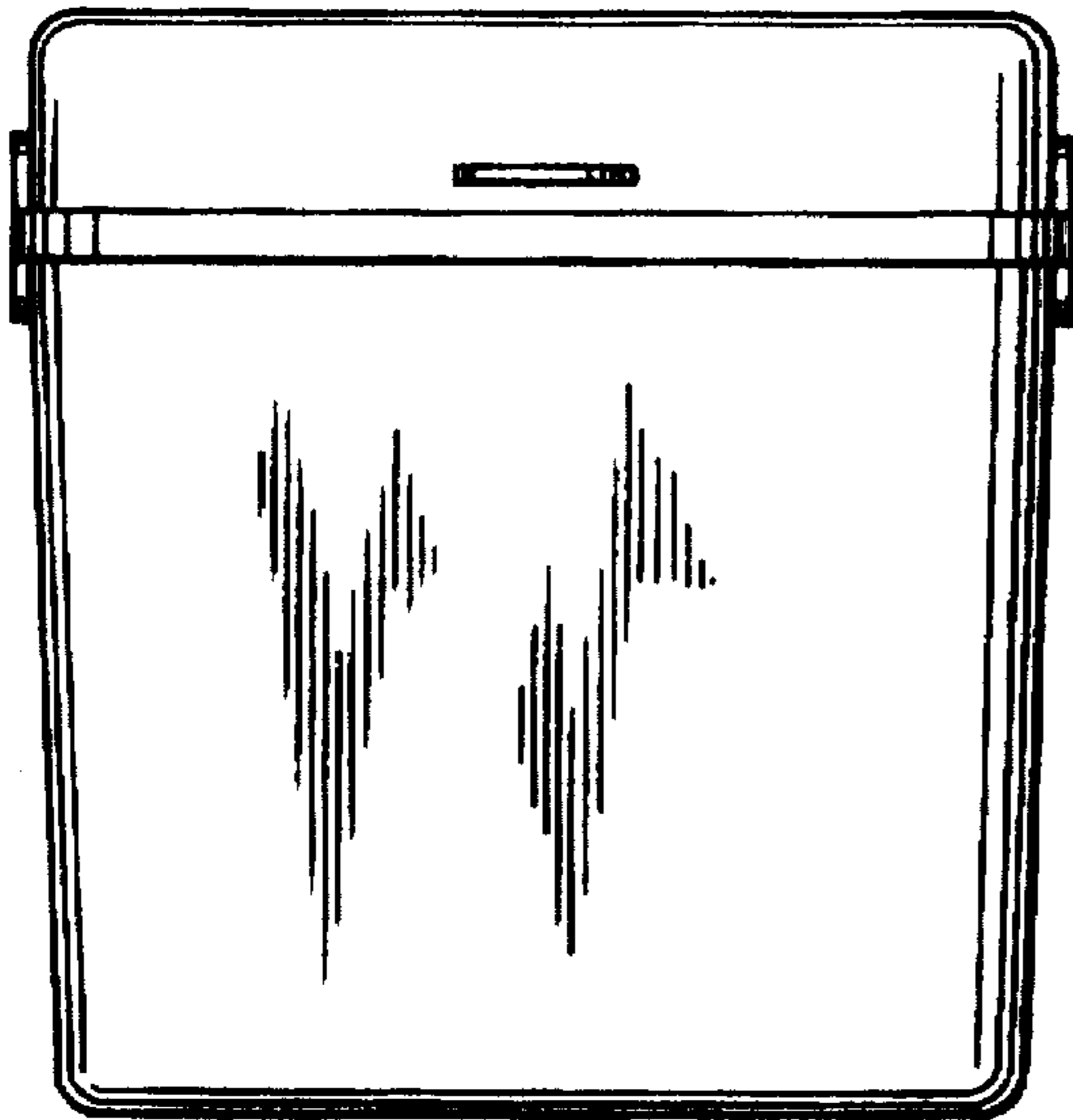


FIG. 2

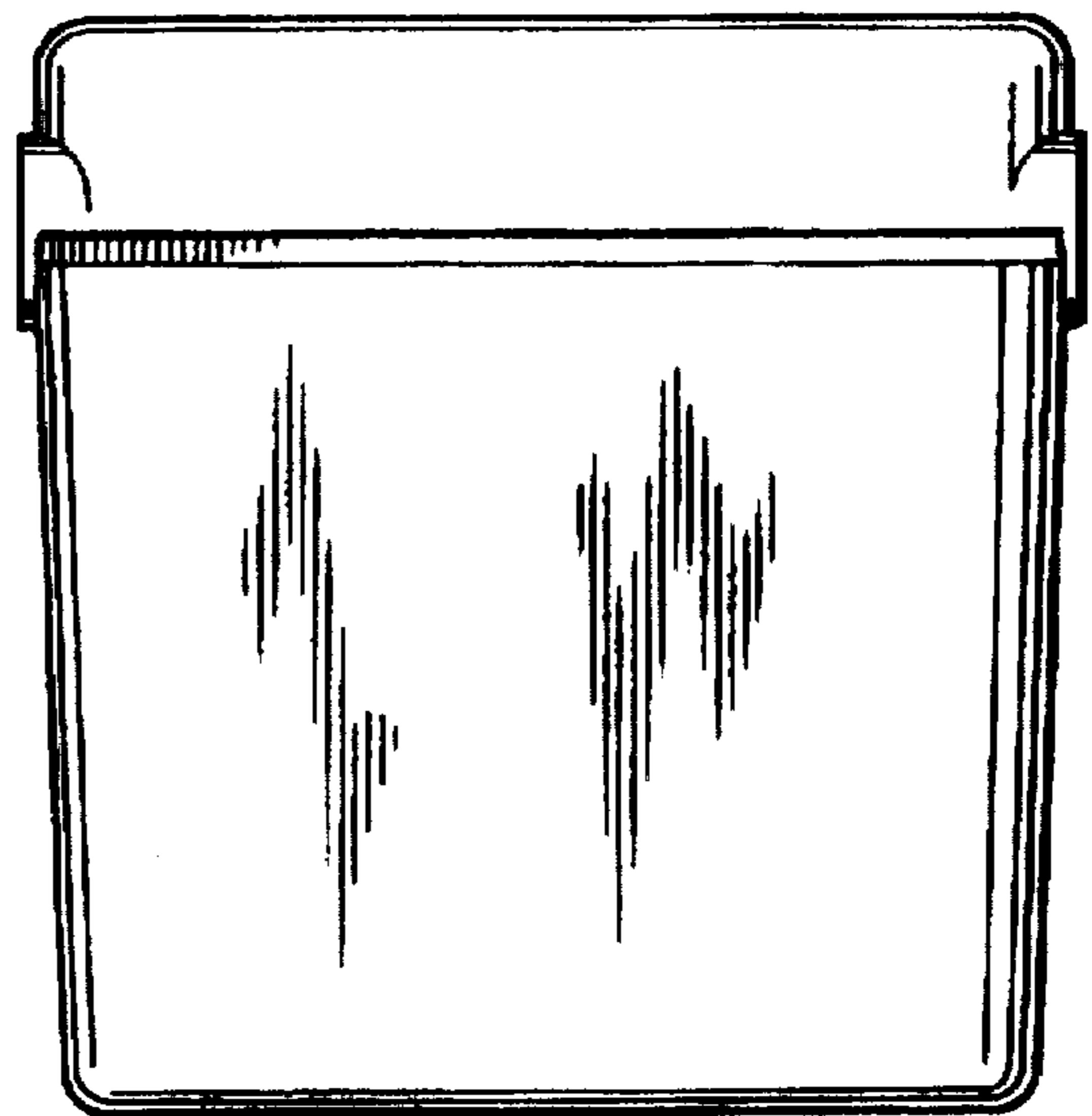


FIG. 3

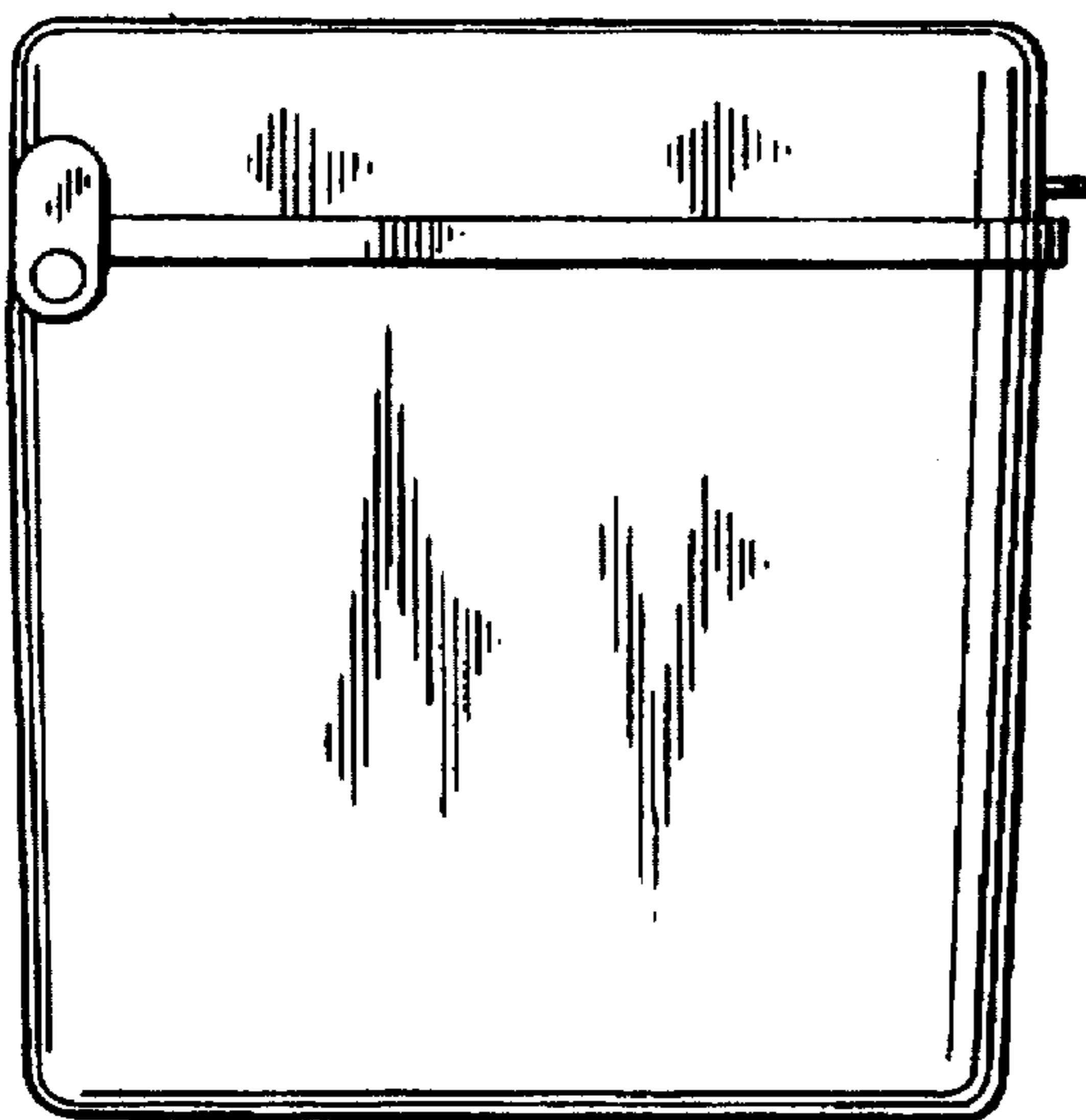


FIG. 4

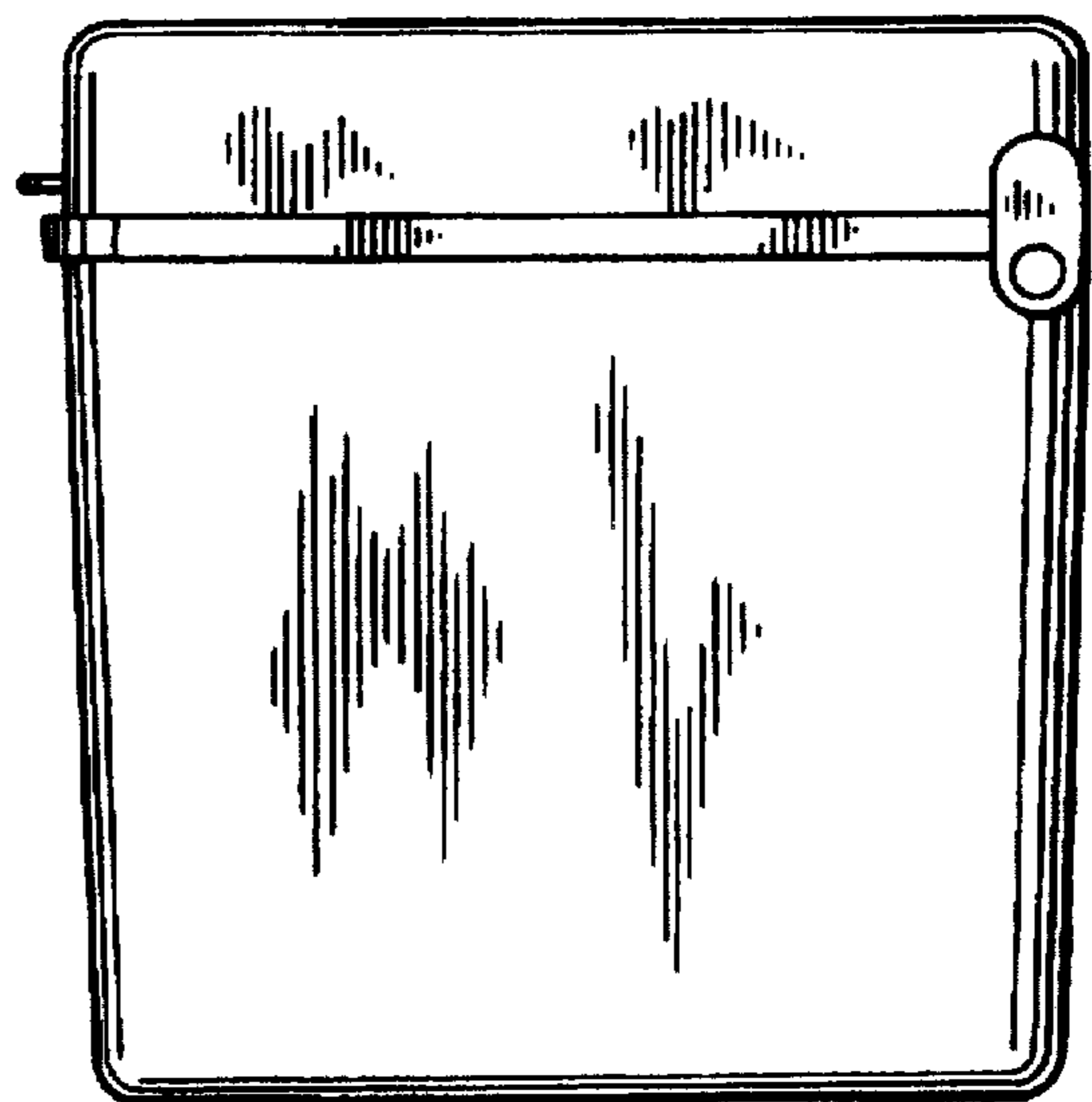


FIG. 5

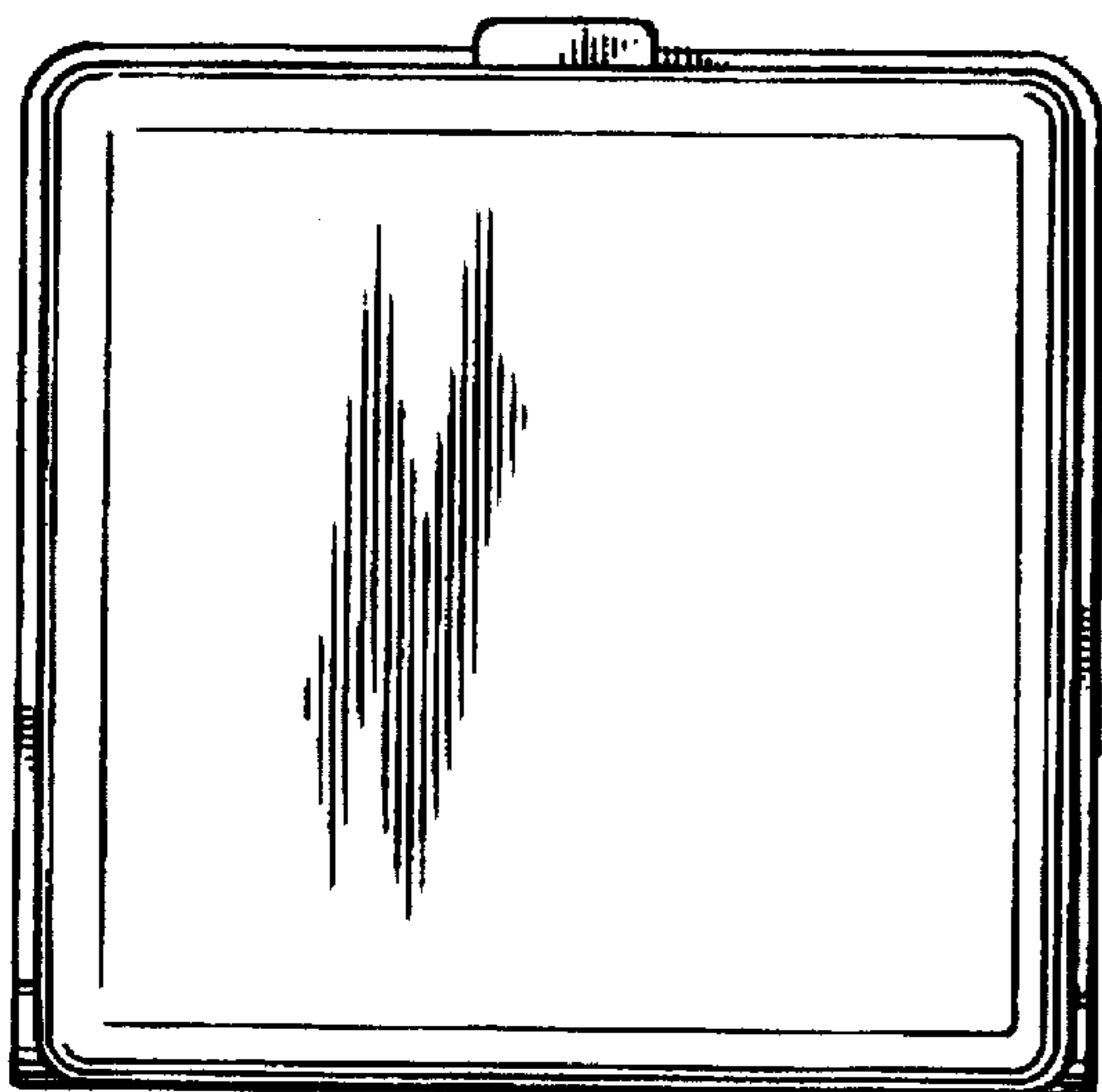


FIG. 6

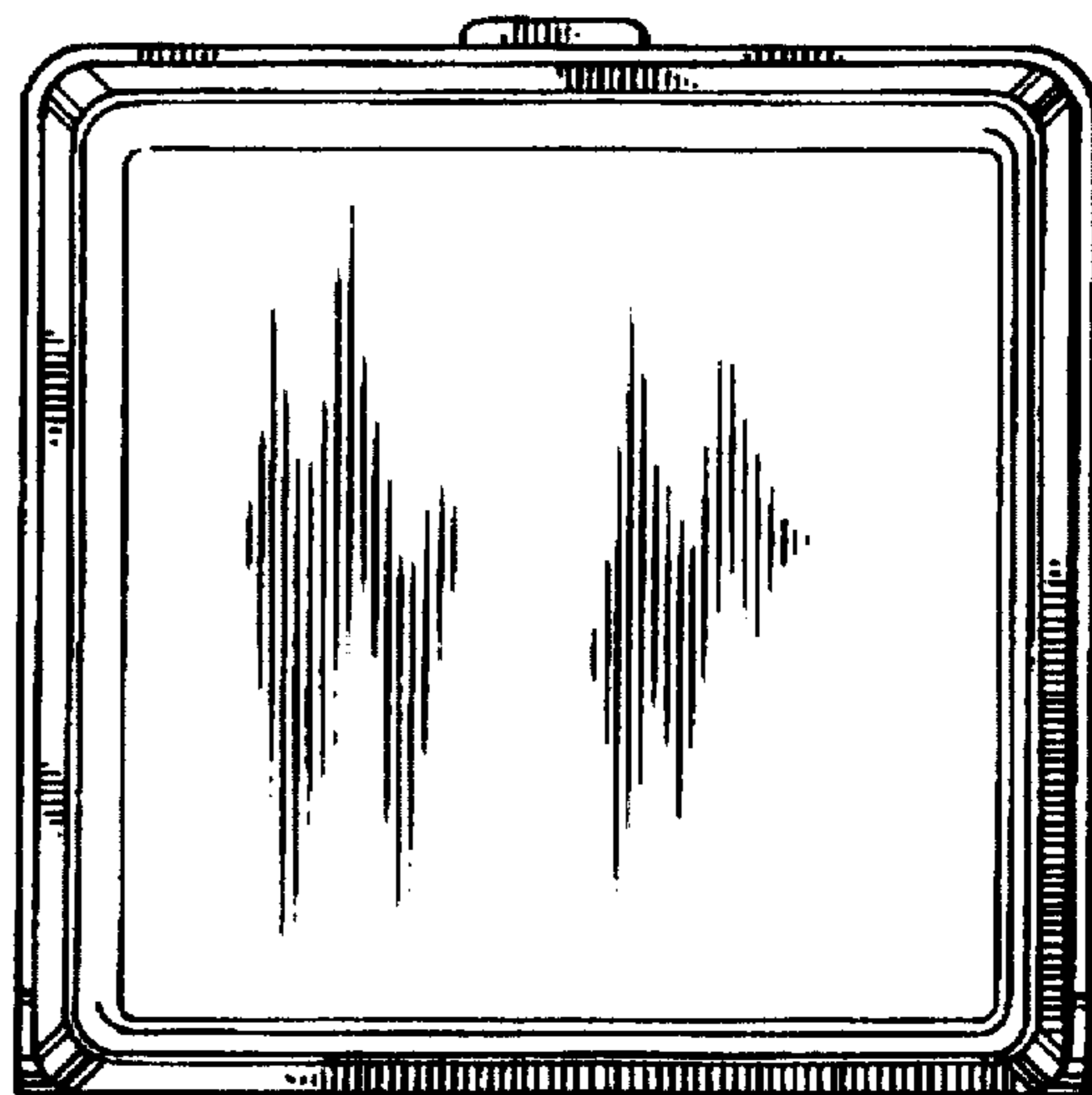


FIG. 7

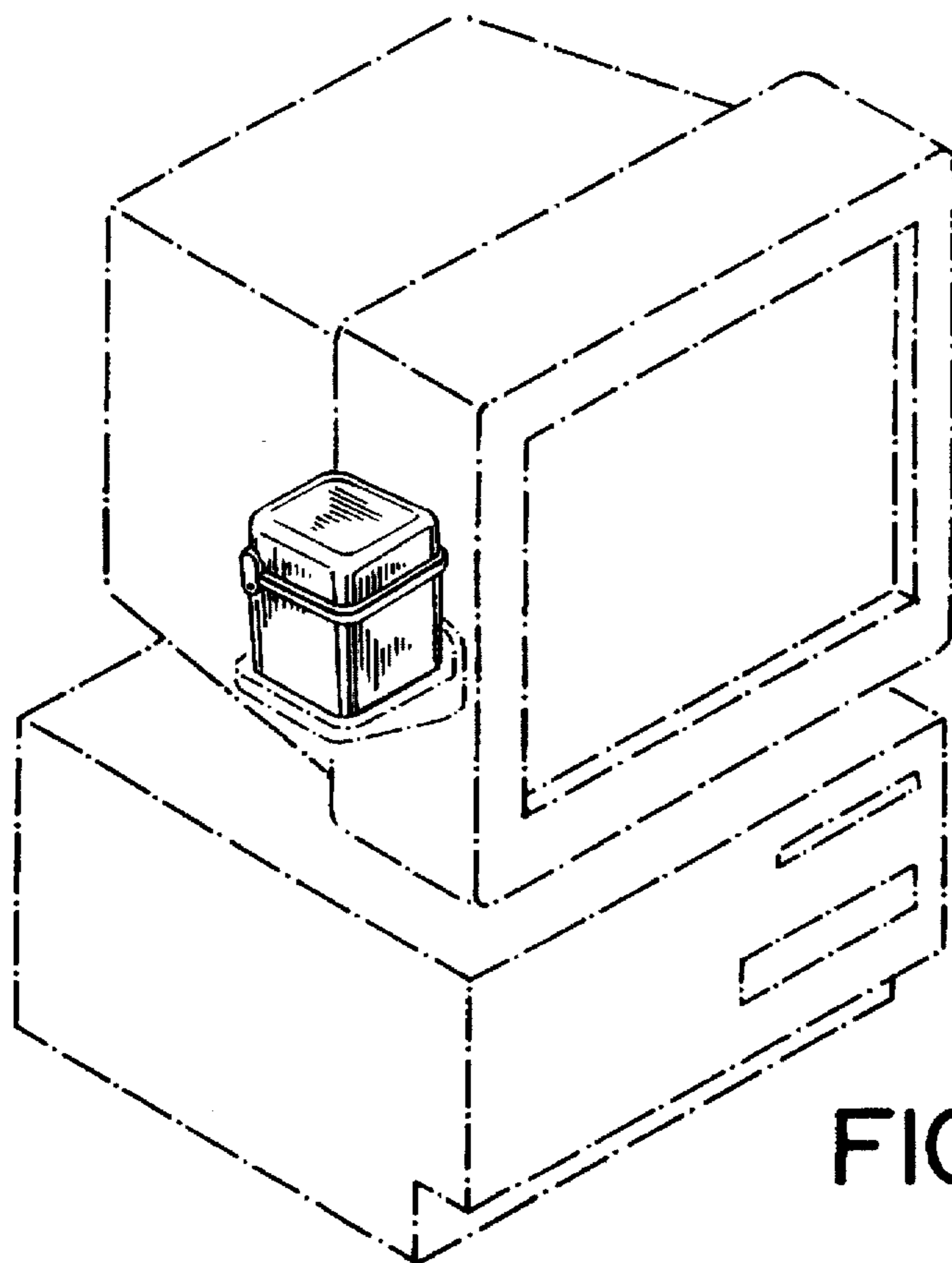


FIG. 8



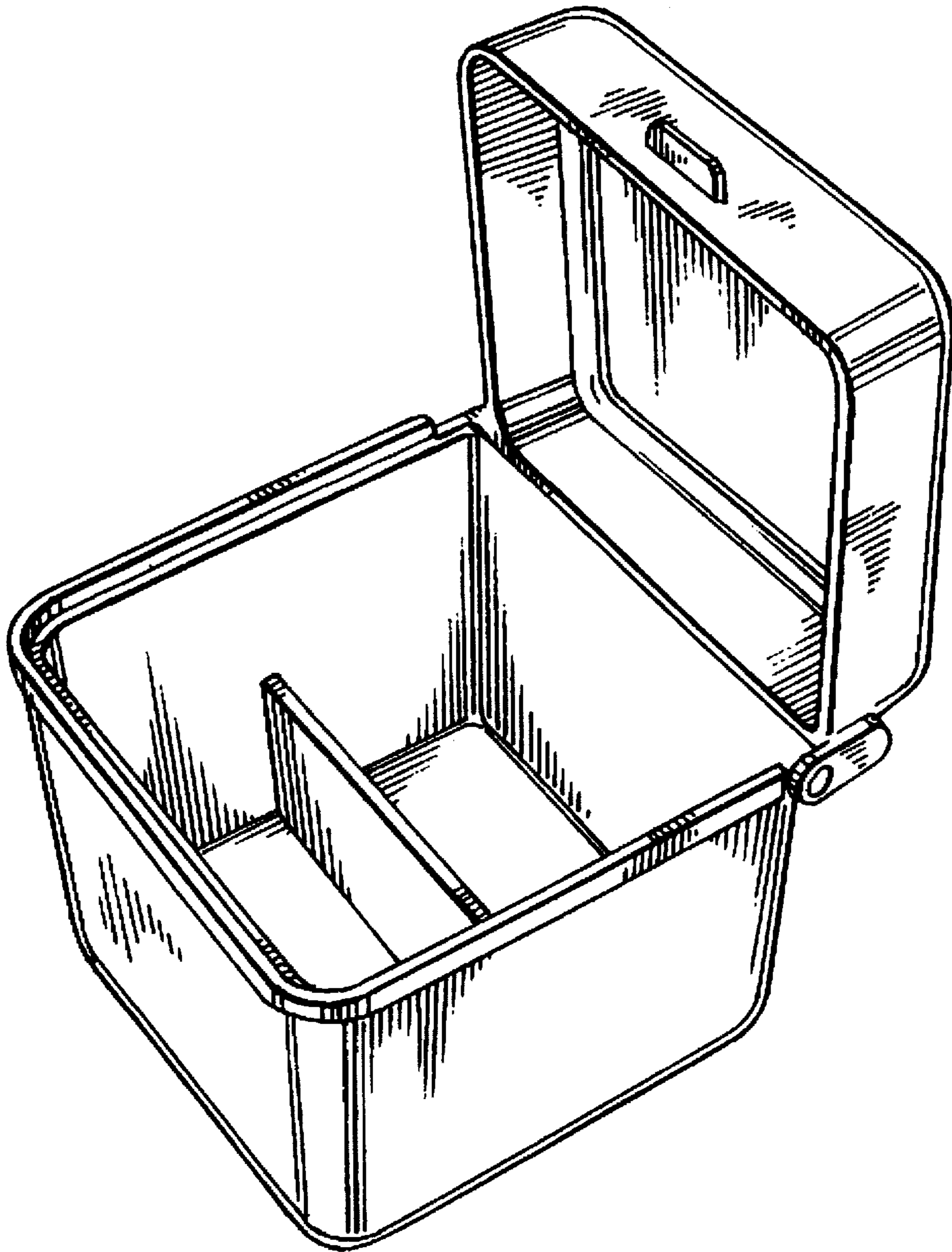


FIG. 9