



US00D388987S

United States Patent [19]

Simpson et al.

[11] Patent Number: **Des. 388,987**

[45] Date of Patent: ****Jan. 13, 1998**

[54] TABLE TOP

[76] Inventors: **Keith M. Simpson**, 71 Gould Street, Bondi Beach, Sydney, Australia, 2026; **Charles B. Killean**, 1106 Wollenhaupt Dr., Vandalia, Ohio 45377

[**] Term: **14 Years**

[21] Appl. No.: **42,171**

[22] Filed: **Aug. 2, 1995**

[30] Foreign Application Priority Data

Feb. 3, 1995 [AU] Australia 290/95

[51] LOC (6) Cl. **06-04**

[52] U.S. Cl. **D6/511**

[58] Field of Search D6/511, 480, 486; 108/27, 50, 69, 77, 90, 93, 94; 211/107, 131, 144, 163; 135/15.1, 16, 19.5, 96, 98, 99

[56] References Cited

U.S. PATENT DOCUMENTS

60,525	12/1866	Lampman	108/77
D. 270,799	10/1983	Creske	D6/511
4,501,201	2/1985	Fitzner et al.	211/107 X
4,646,654	3/1987	Sullivan	108/69
5,197,394	3/1993	Schmidt	108/50

Primary Examiner—James Gandy
Assistant Examiner—Linda Brooks
Attorney, Agent, or Firm—Darby & Darby

[57] CLAIM

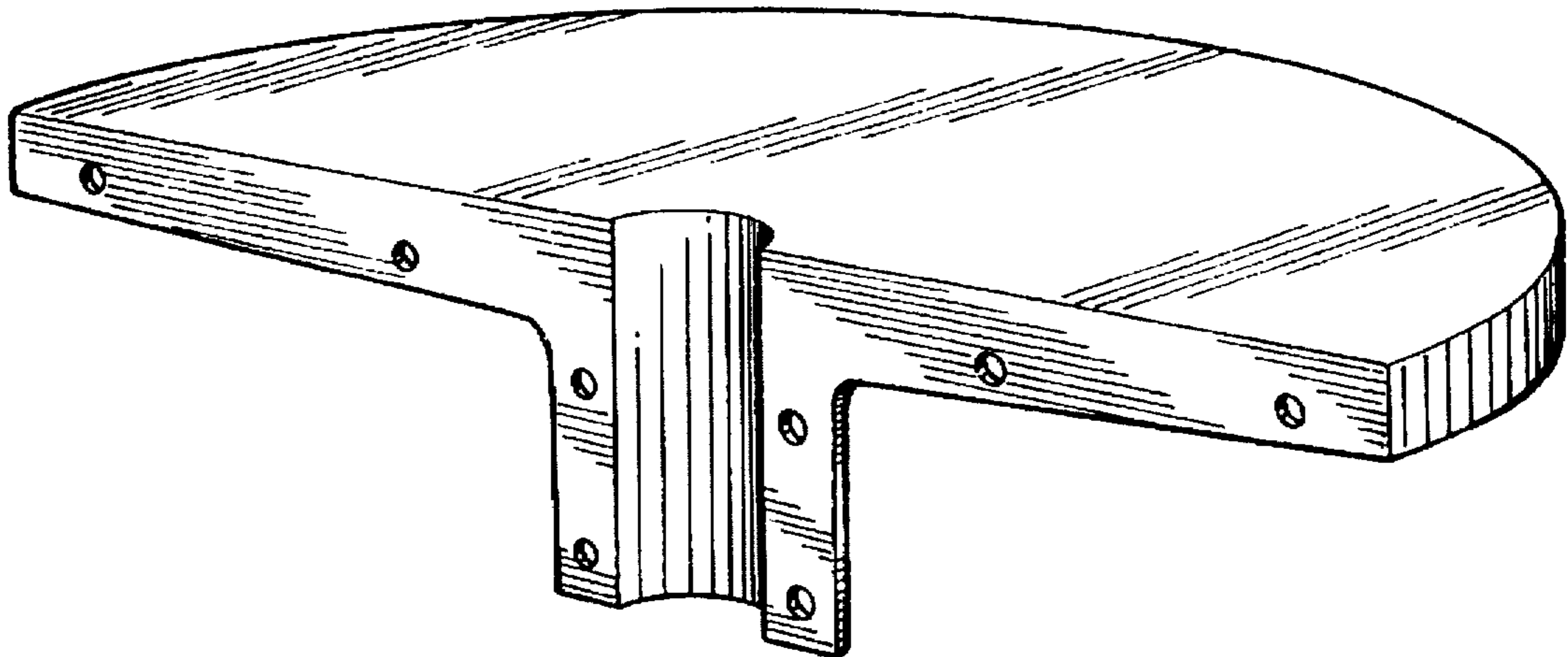
The ornamental design for a table top, as shown and described.

DESCRIPTION

FIG. 1 is a top perspective view of half of a table top in accordance with my invention, the other half being identical; FIG. 2 is a front elevational view thereof; FIG. 3 is a rear elevational view thereof; FIG. 4 is a left side view thereof, the right side being a mirror image thereof; FIG. 5 is a top plan view thereof; FIG. 6 is a bottom plan view thereof; and, FIG. 7 is a perspective view, illustrating two identical halves of a table top in accordance with the invention, joined together to form a table.

FIG. 7 illustrates the table top formed on a conventional base, shown in broken lines which along with fastening elements, also shown in broken lines which do not represent part of the invention, but merely represent environmental structure included only for illustrative purposes.

1 Claim, 3 Drawing Sheets



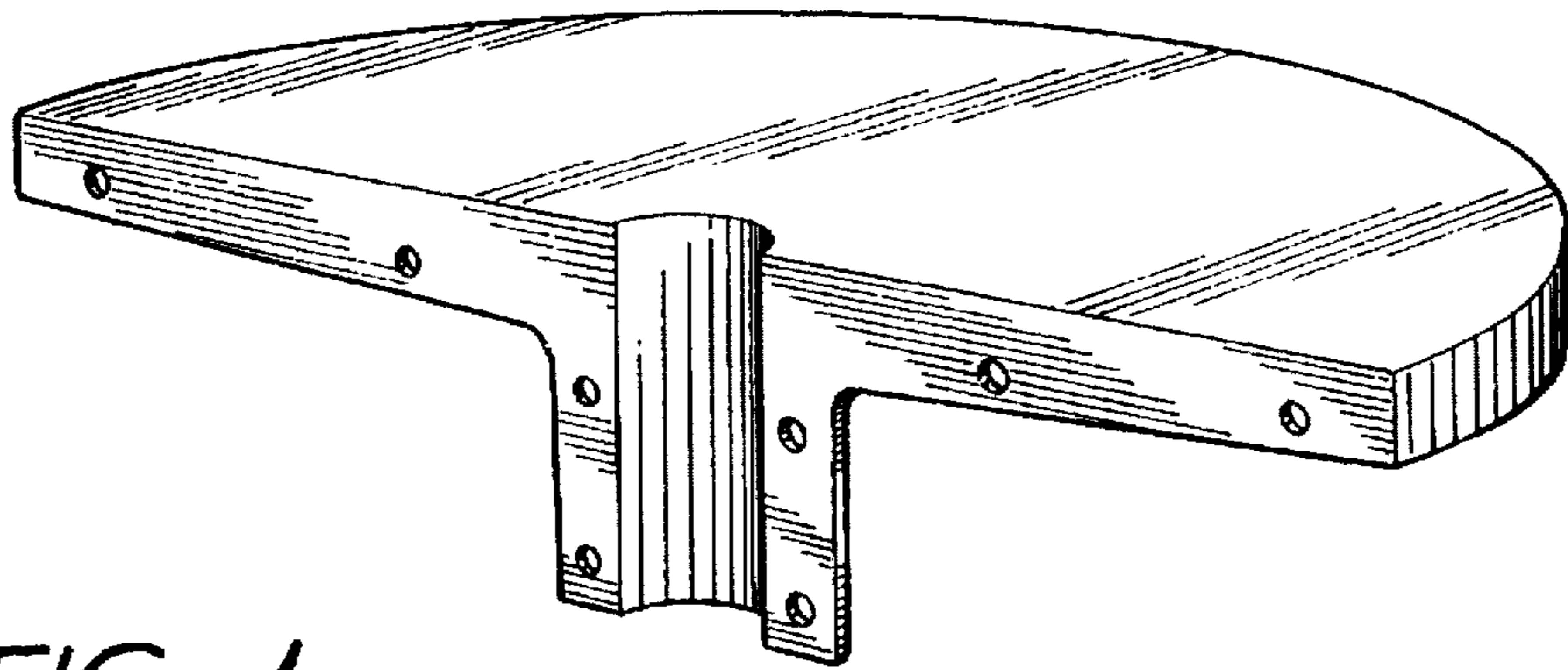


FIG. 1

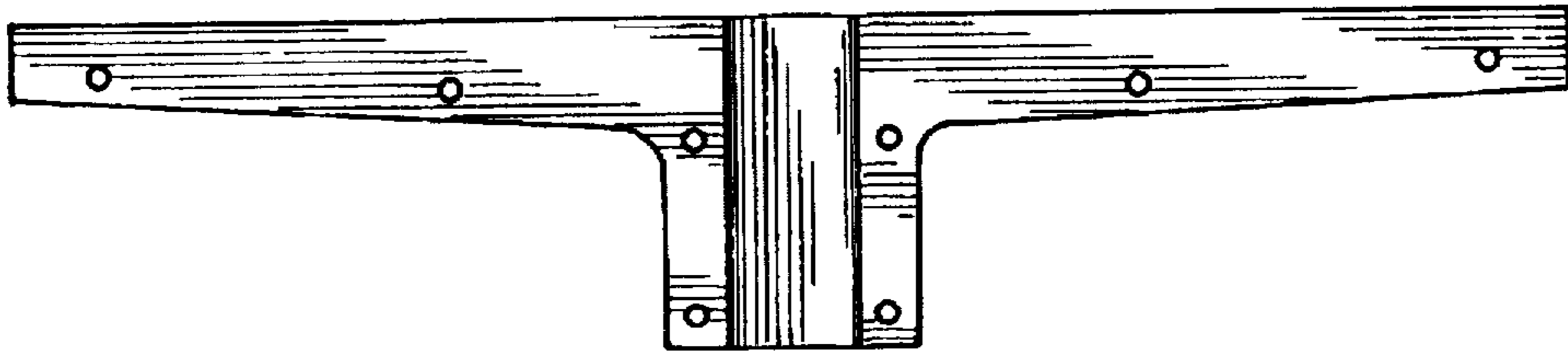


FIG. 2

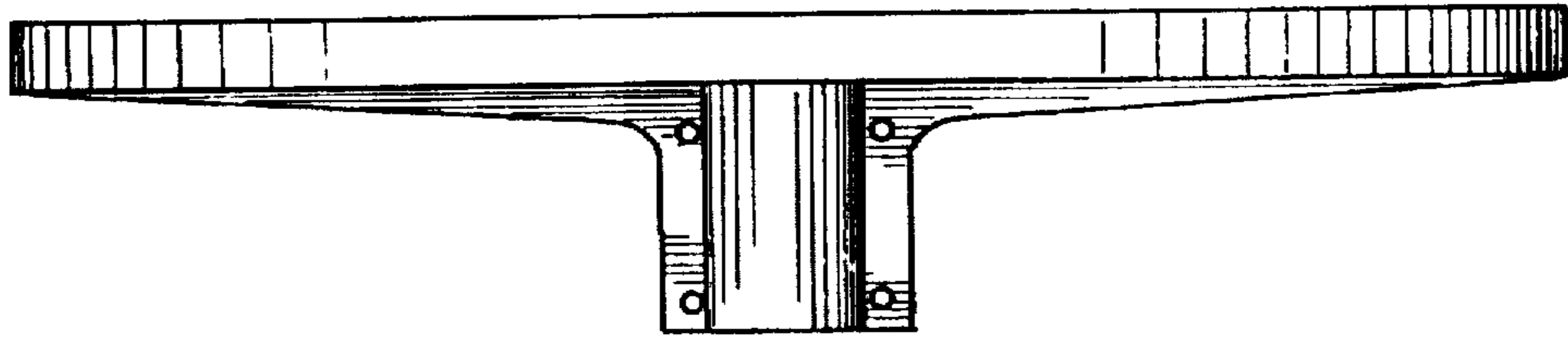


FIG. 3

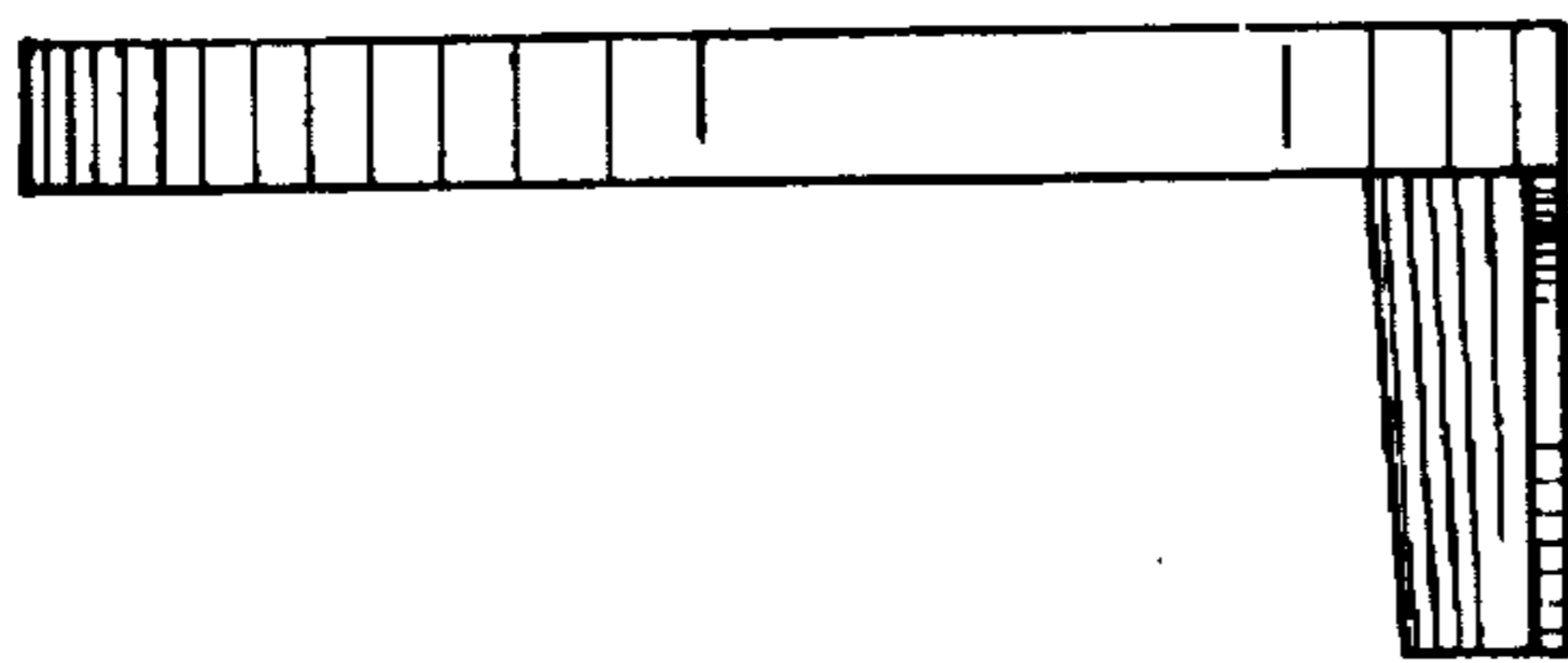


FIG. 4

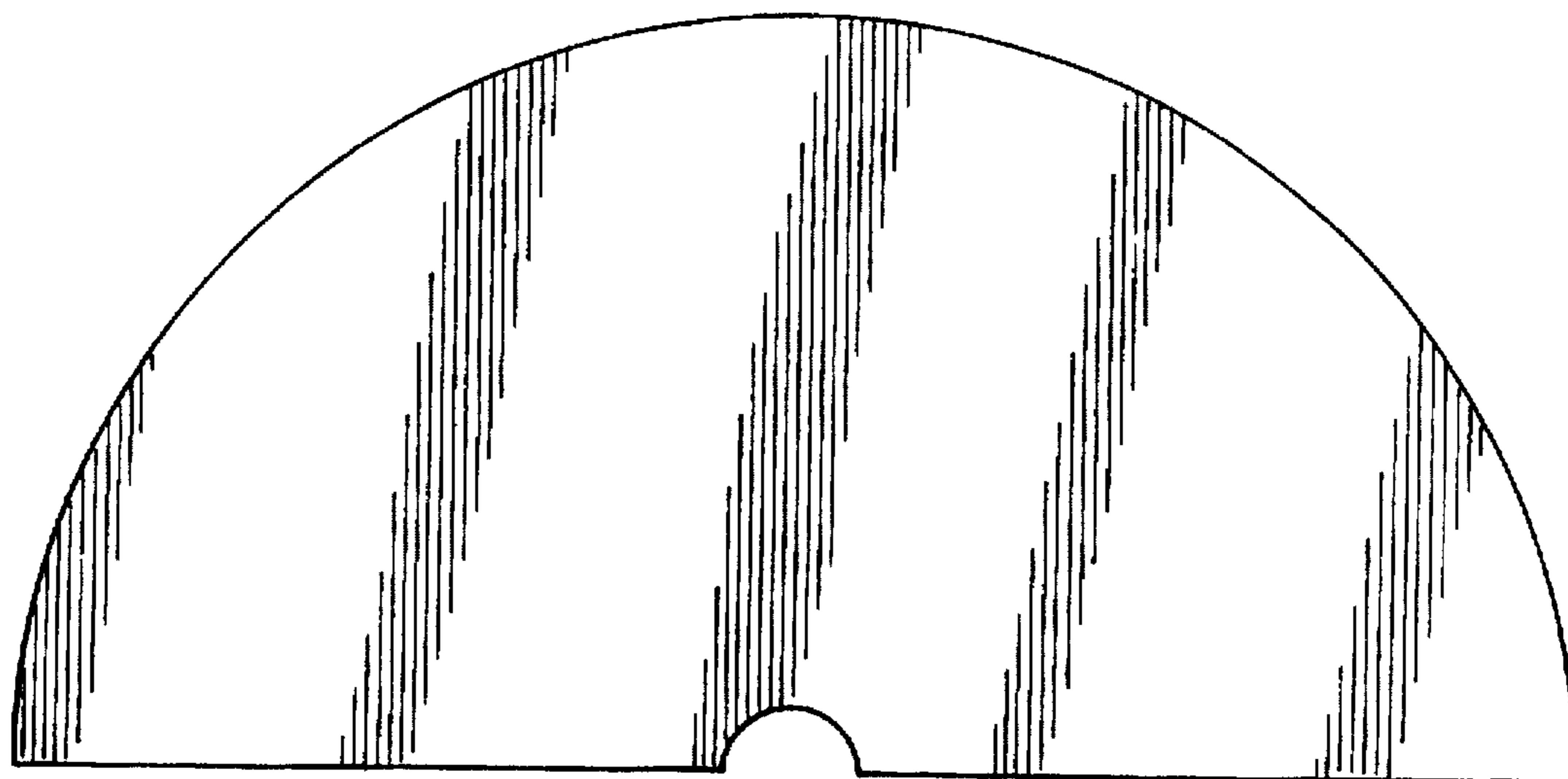


FIG. 5

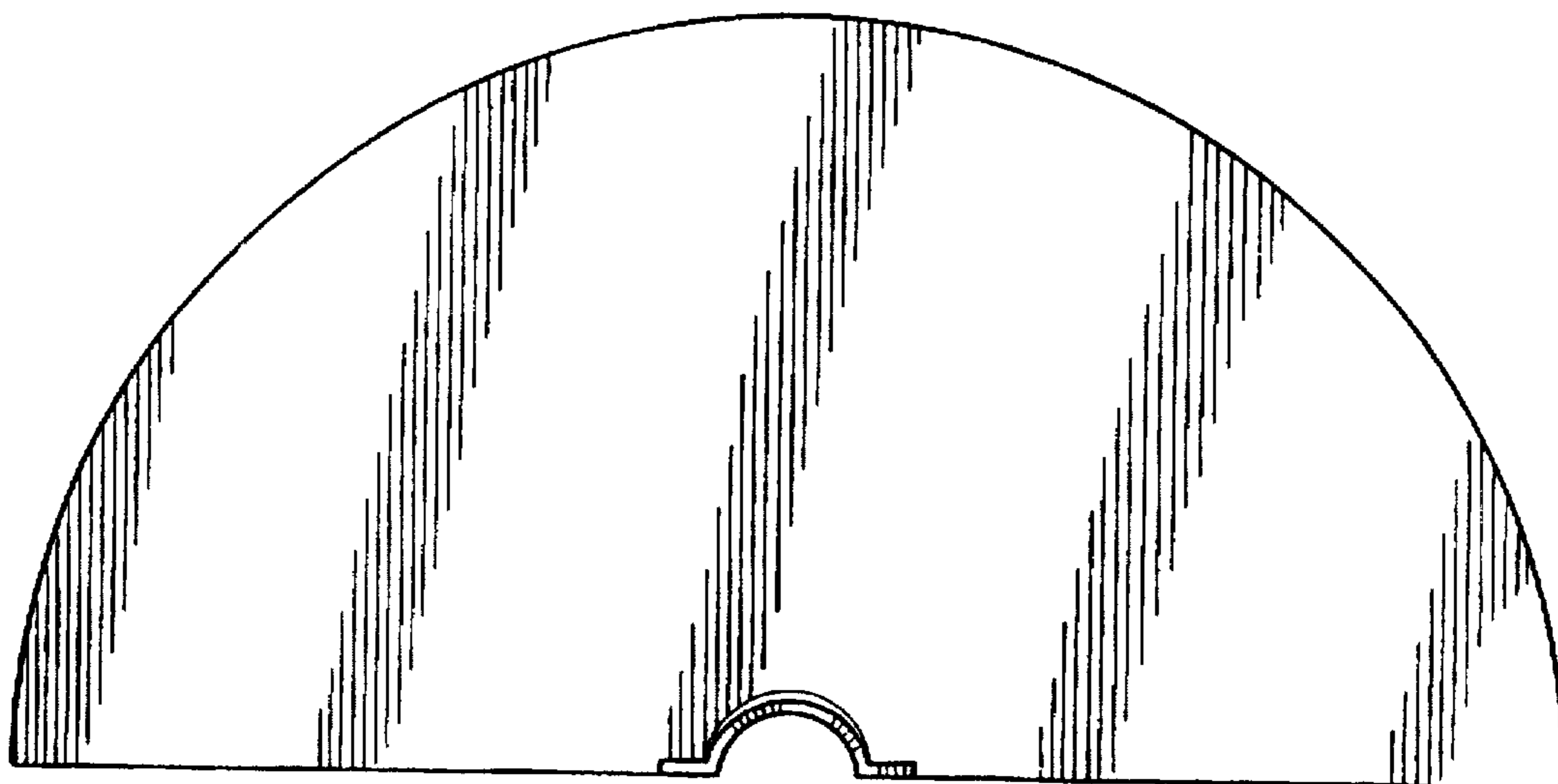


FIG. 6

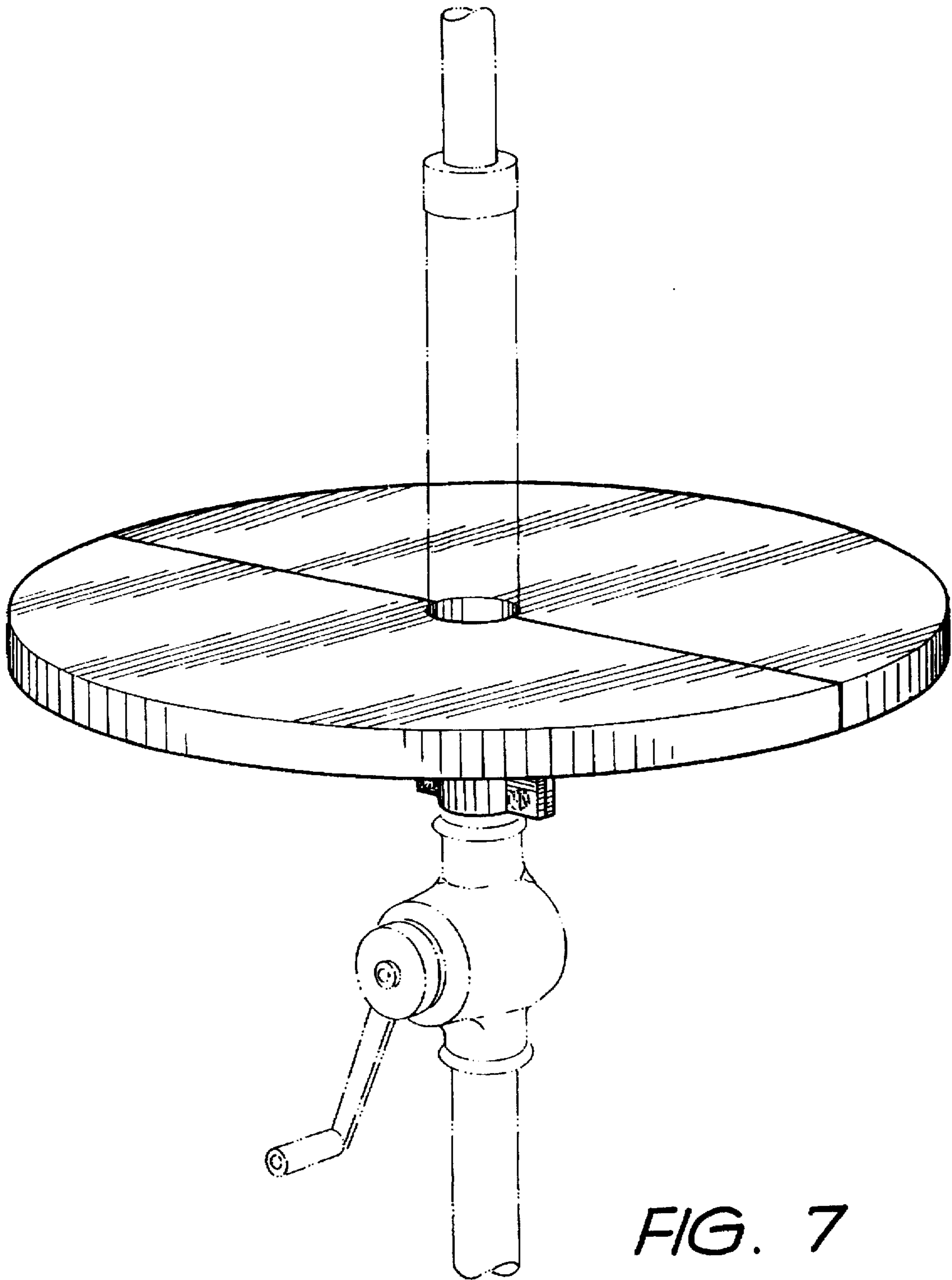


FIG. 7