



US00D388986S

# United States Patent [19]

Dittberner et al.

[11] Patent Number: **Des. 388,986**

[45] Date of Patent: **\*\*Jan. 13, 1998**

[54] **DRAWER FRONT**

[75] Inventors: **Daniel J. Dittberner**, Huntersville;  
**Kurt Rindoks**, Davidson, both of N.C.

[73] Assignee: **Kewaunee Scientific Corporation**,  
Statesville, N.C.

[\*\*] Term: **14 Years**

[21] Appl. No.: **51,458**

[22] Filed: **Mar. 8, 1996**

[51] LOC (6) Cl. .... **06-04**

[52] U.S. Cl. .... **D6/510**

[58] Field of Search ..... D6/509, 510, 445,  
D6/446, 492; 312/330.1, 348.4, 333

[56] **References Cited**

**U.S. PATENT DOCUMENTS**

D. 224,492	8/1972	Inhelder	.....	D6/445
D. 335,409	5/1993	Kellems	.....	D6/510
D. 336,806	6/1993	Zoellner	.....	D6/510
D. 341,737	11/1993	Shepherd	.....	D6/510 X
3,819,247	6/1974	Evans	.....	312/330.1
5,496,105	3/1996	Czarnecky et al.	.....	312/333 X

*Primary Examiner*—James Gandy  
*Assistant Examiner*—Linda Brooks  
*Attorney, Agent, or Firm*—Hill, Steadman & Simpson

[57] **CLAIM**

The ornamental design for a drawer front, as shown and described.

**DESCRIPTION**

FIG. 1 is a front perspective view of the drawer front of this design, it being understood that the broken line showing of a drawer is for illustrative purposes only and forms no part of the claimed design;

FIG. 2 is a rear perspective view of the drawer front of FIG. 1;

FIG. 3 is a front elevation view of the drawer front of FIGS. 1 and 2;

FIG. 4 is a rear elevational view of the drawer front of FIGS. 1-3;

FIG. 5 is an enlarged side elevational view of the drawer front of FIG. 1 taken from the left side of FIG. 1;

FIG. 6 is a side elevational view of the drawer front of FIG. 5 taken from the right side;

FIG. 7 is an enlarged bottom plan view of the drawer front of FIG. 1; and,

FIG. 8 is an enlarged top plan view of the drawer front of FIG. 1.

**1 Claim, 4 Drawing Sheets**

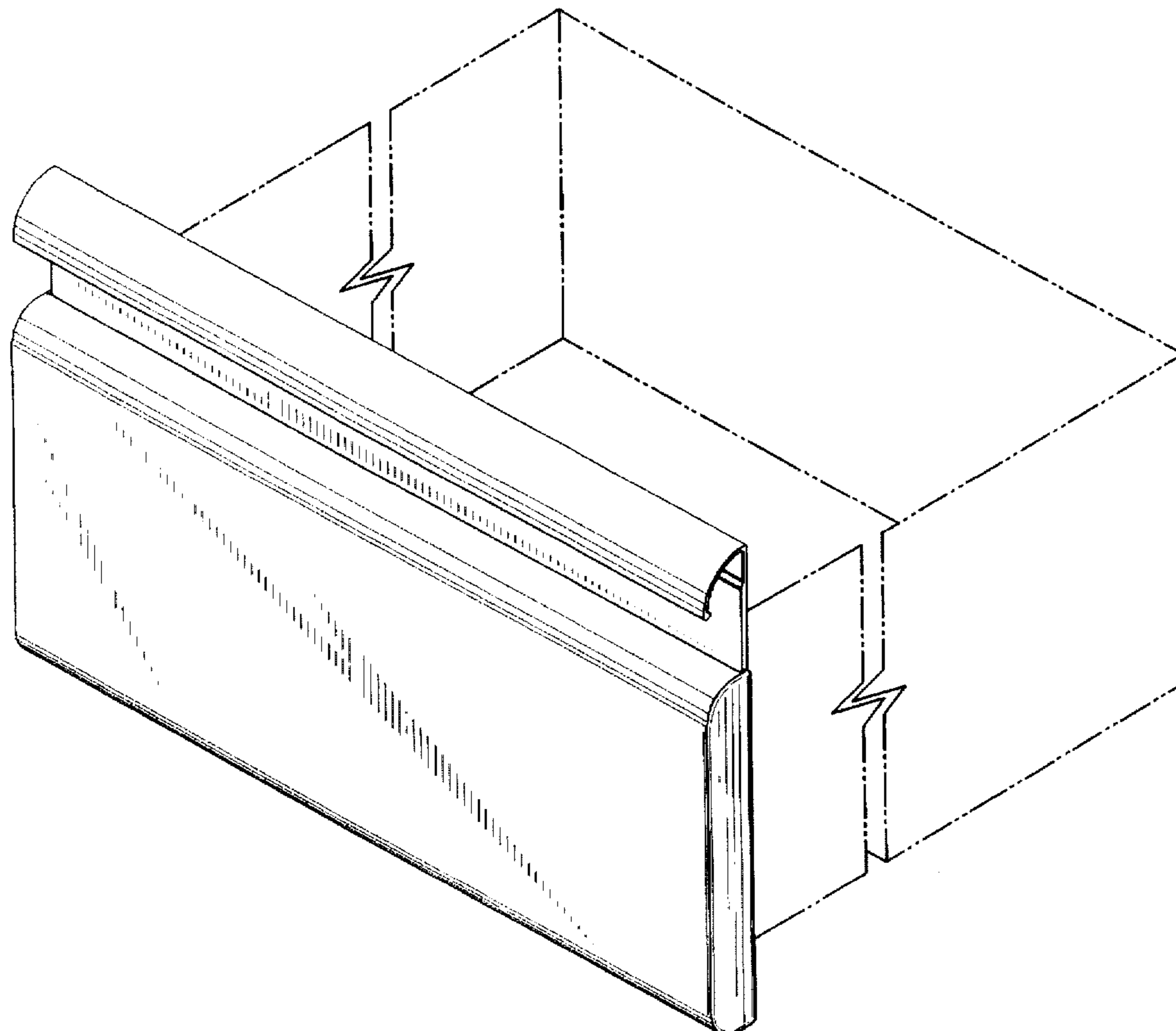


FIG. 1

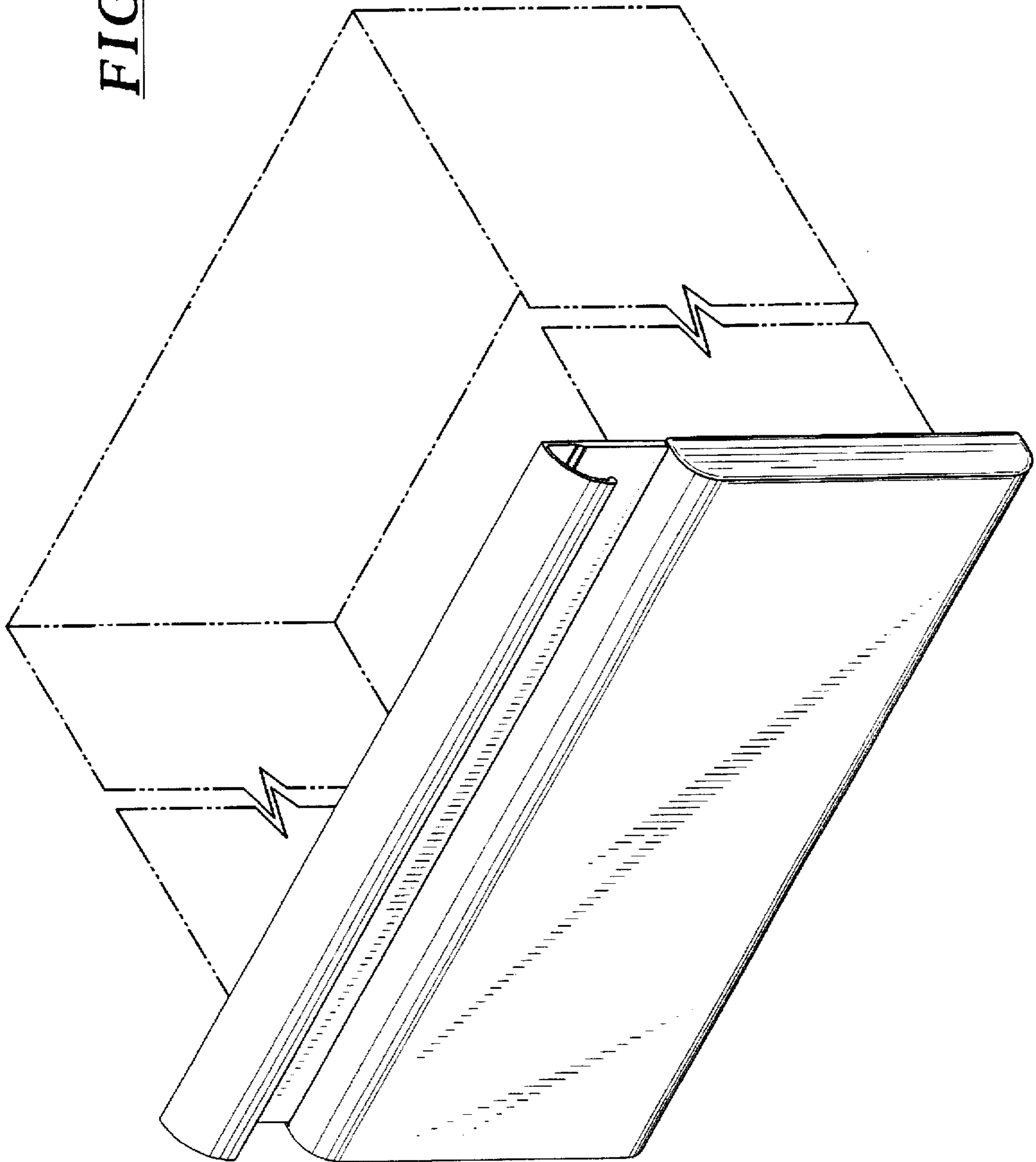


FIG. 2

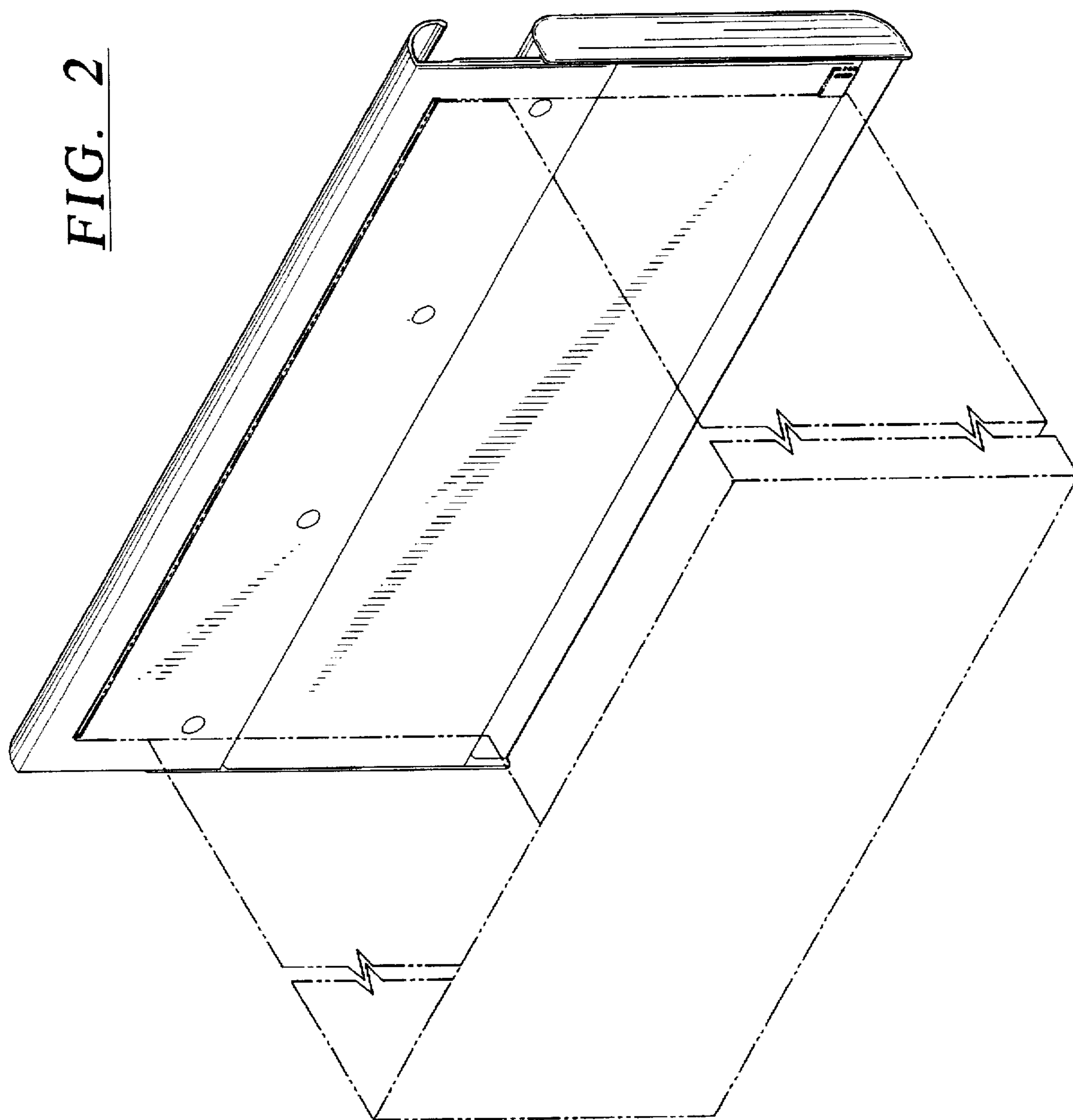


FIG. 3

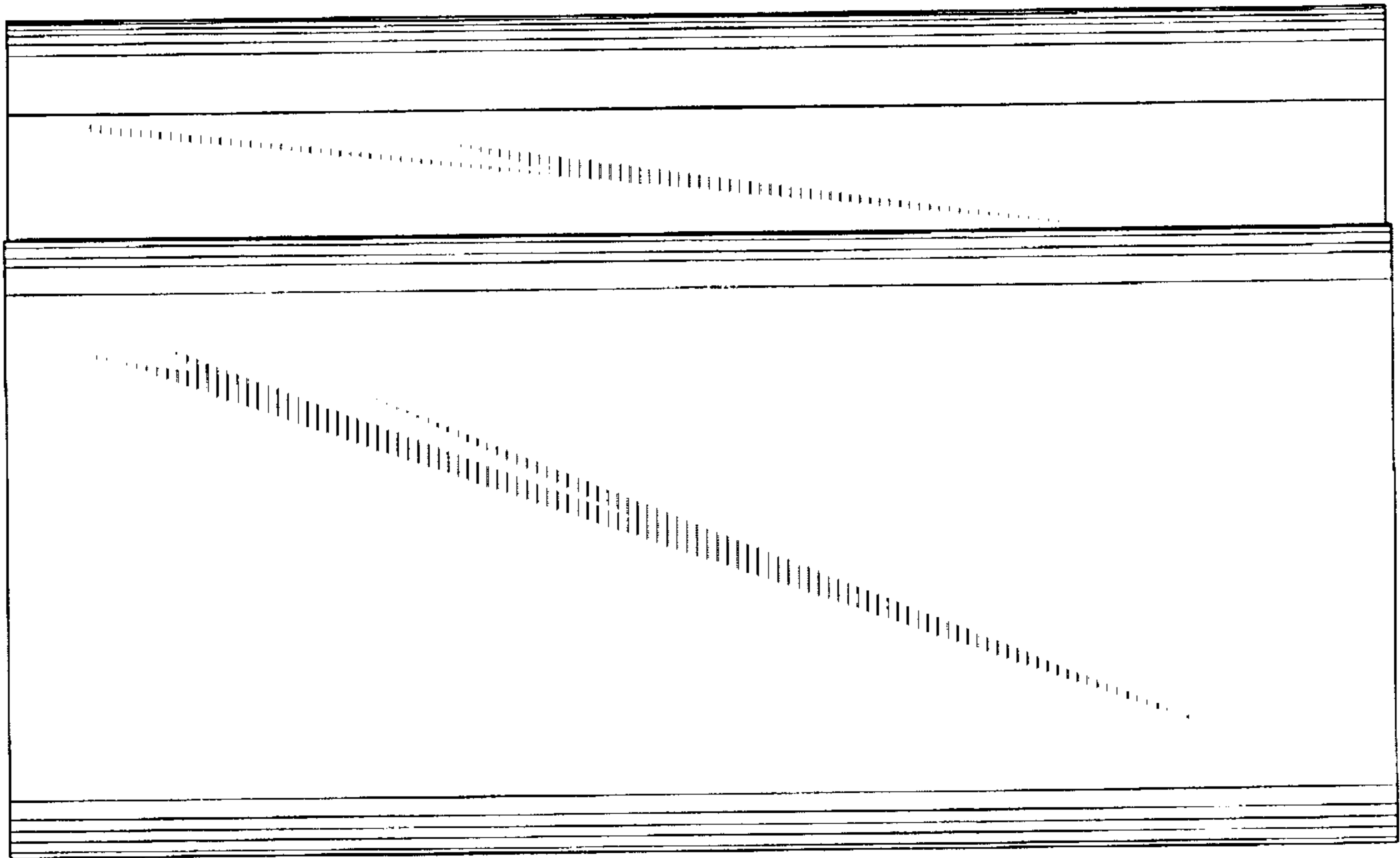
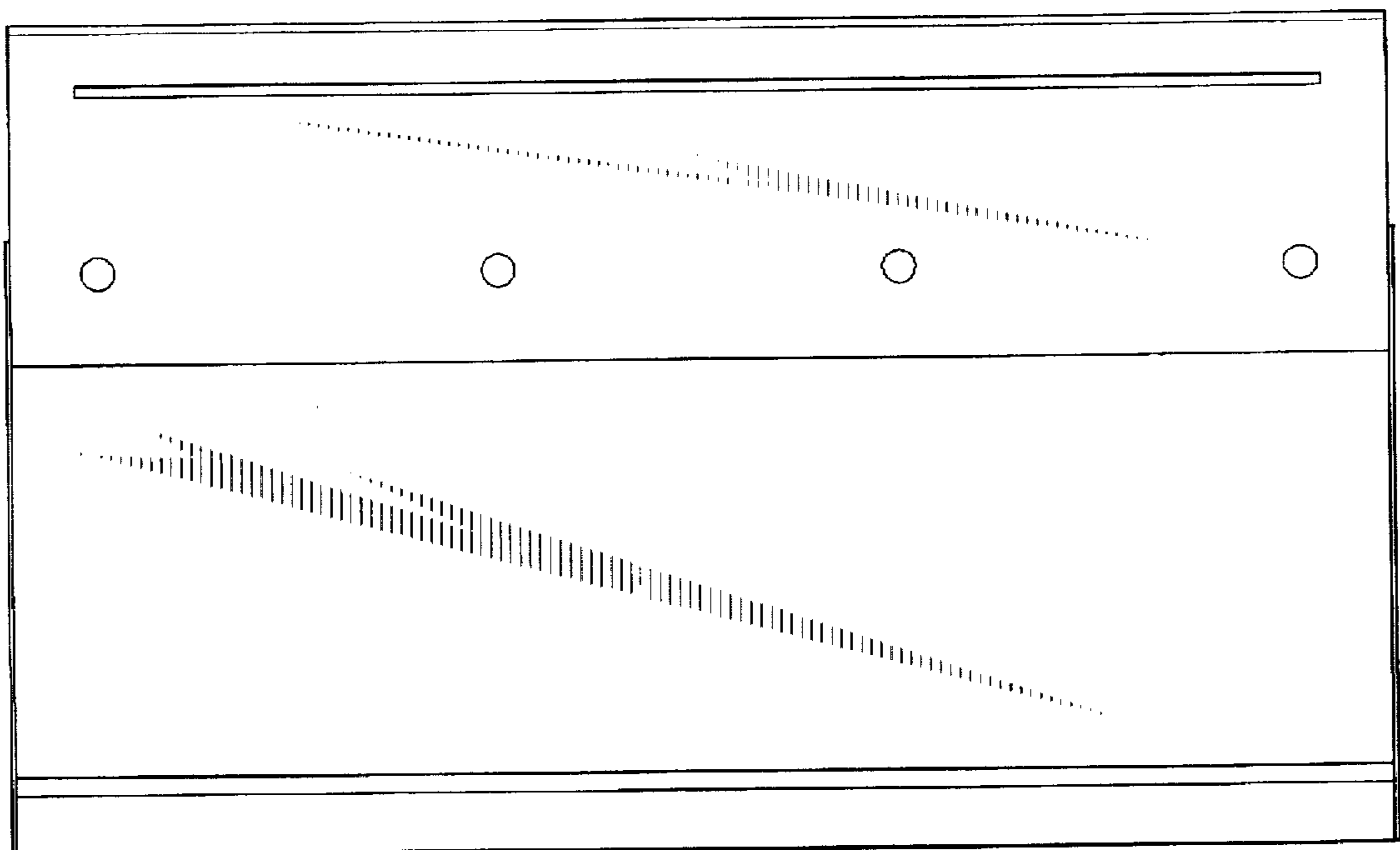


FIG. 4



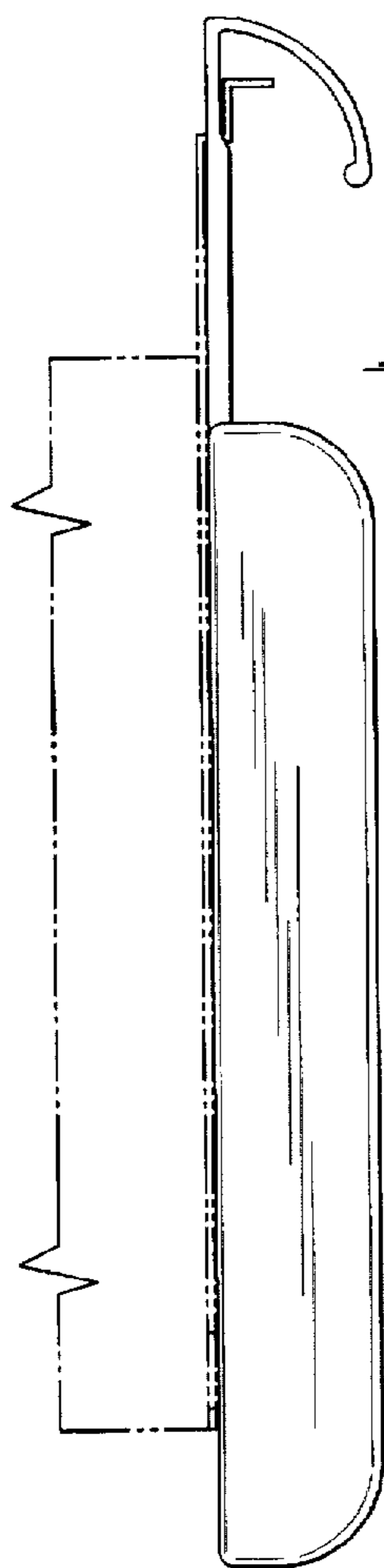


FIG. 5

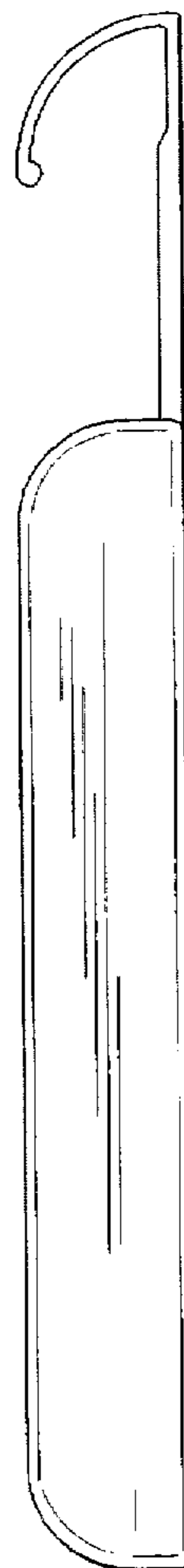


FIG. 6

FIG. 7

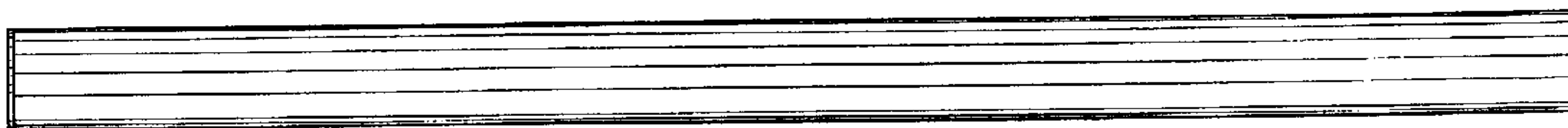


FIG. 8

