

US00D388985S

United States Patent [19]

Zaidman et al.

[11] Patent Number: **Des. 388,985**

[45] Date of Patent: ****Jan. 13, 1998**

[54] HEADBOARD

[75] Inventors: **Paul Zaidman; Weldon Neufeld**, both of Winnipeg, Canada

[73] Assignee: **Palliser Furniture Ltd.**, Winnipeg, Canada

[**] Term: **14 Years**

[21] Appl. No.: **58,719**

[22] Filed: **Aug. 21, 1996**

[51] LOC (6) CL **06-01**

[52] U.S. Cl. **D6/505**

[58] Field of Search D6/382-385, 388-395, D6/505-508; 5/53.1, 280, 281

[56] References Cited

U.S. PATENT DOCUMENTS

D. 90,887 10/1933 Kayser D6/505
D. 243,987 4/1977 Carter D6/507

OTHER PUBLICATIONS

Thomasville Continuity, p. 16, #43111-413 panel headboard at top.

Primary Examiner—Janice E. Seeger
Attorney, Agent, or Firm—Pollock, Vande Sande & Priddy

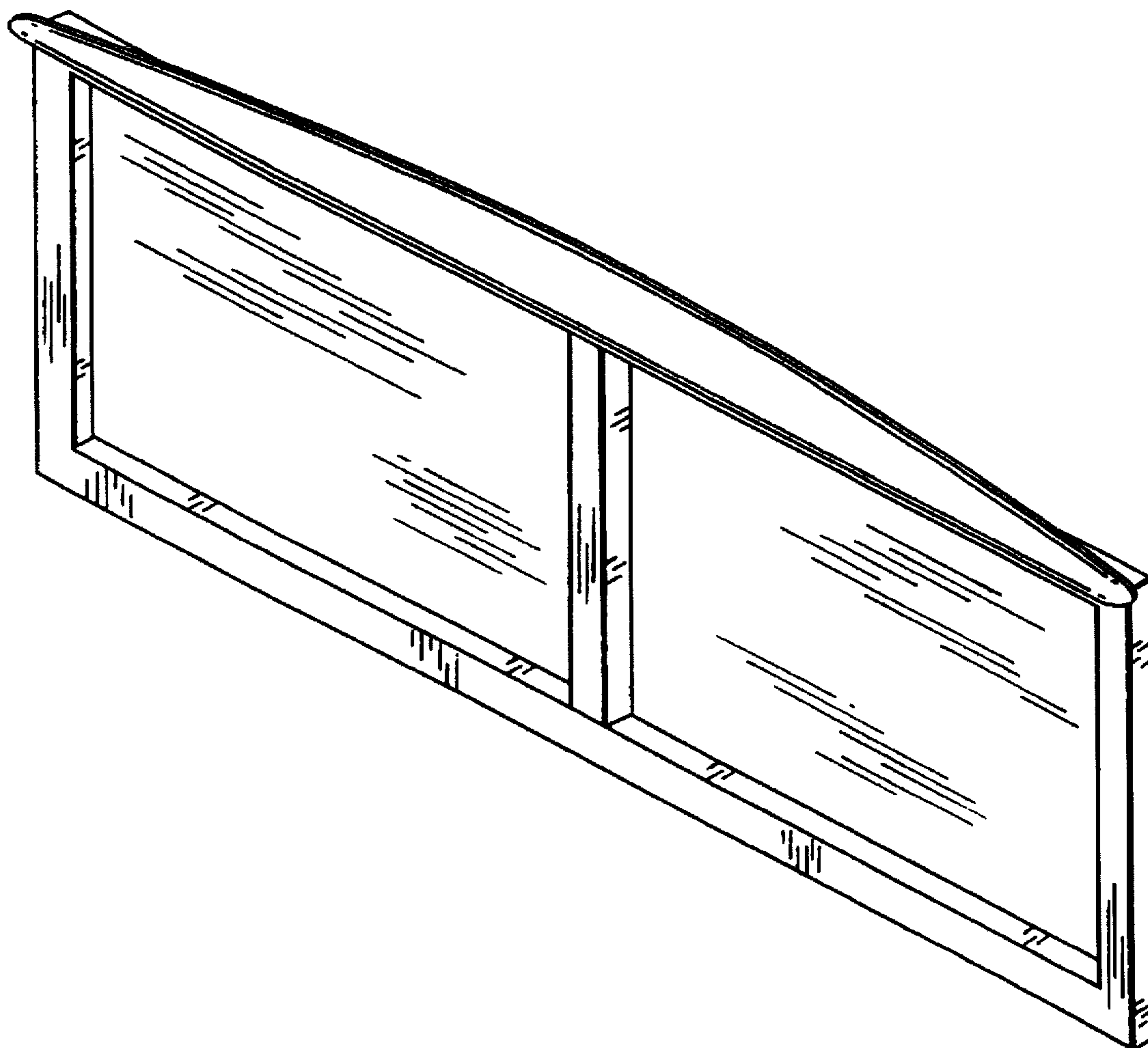
[57] CLAIM

The ornamental design for a headboard, as shown and described.

DESCRIPTION

FIG. 1 is a top view of a headboard showing our new design; FIG. 2 is a perspective view thereof; FIG. 3 is a front view thereof; and, FIG. 4 is a left side view thereof, the right side view corresponding thereto.

1 Claim, 2 Drawing Sheets



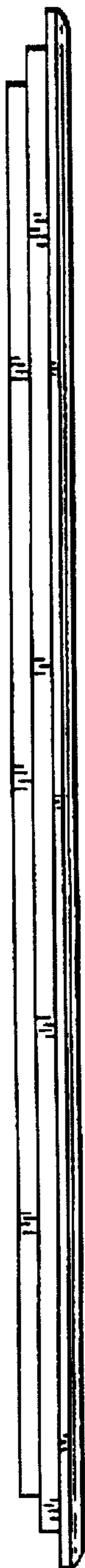


FIG. 1

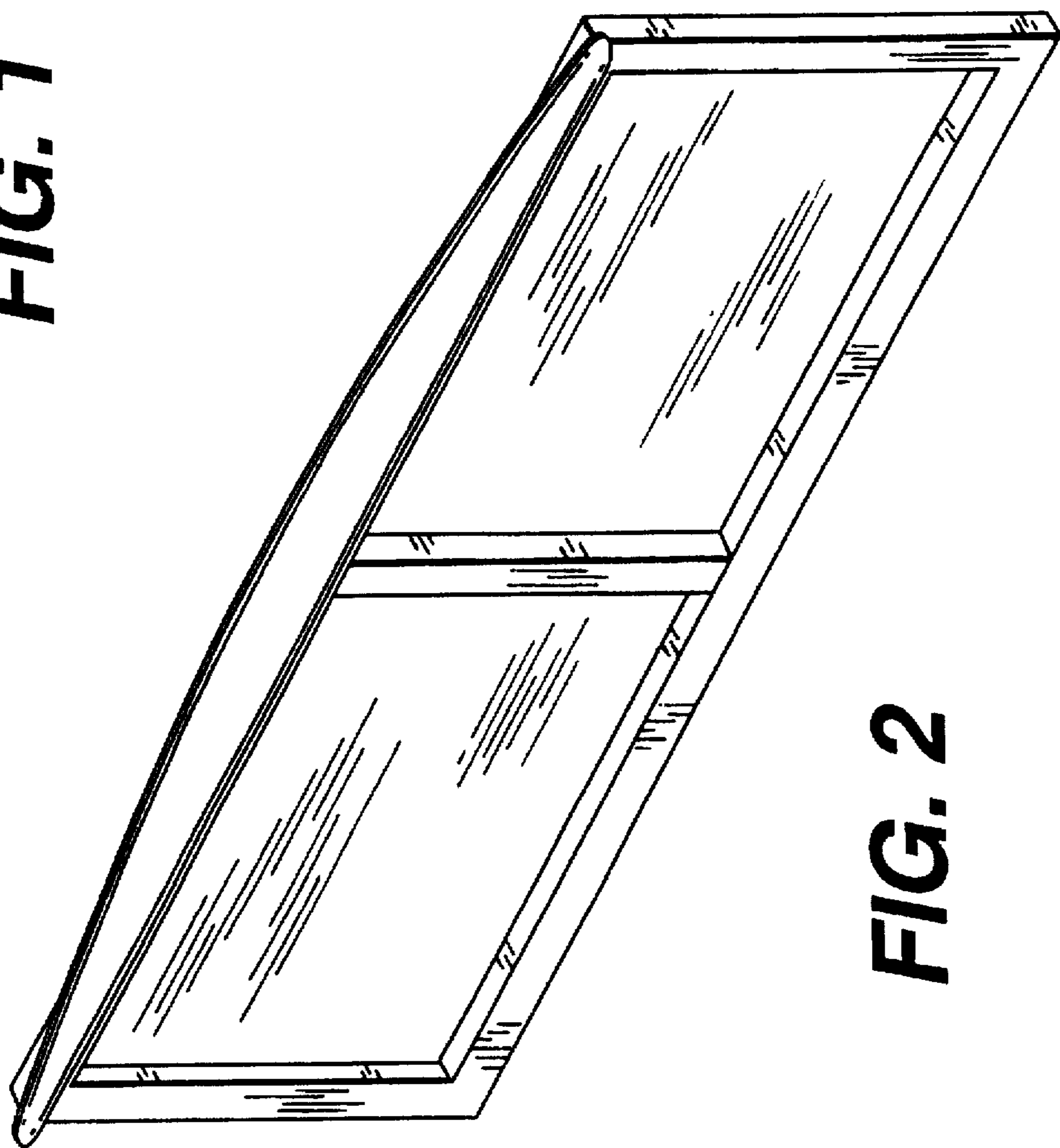


FIG. 2

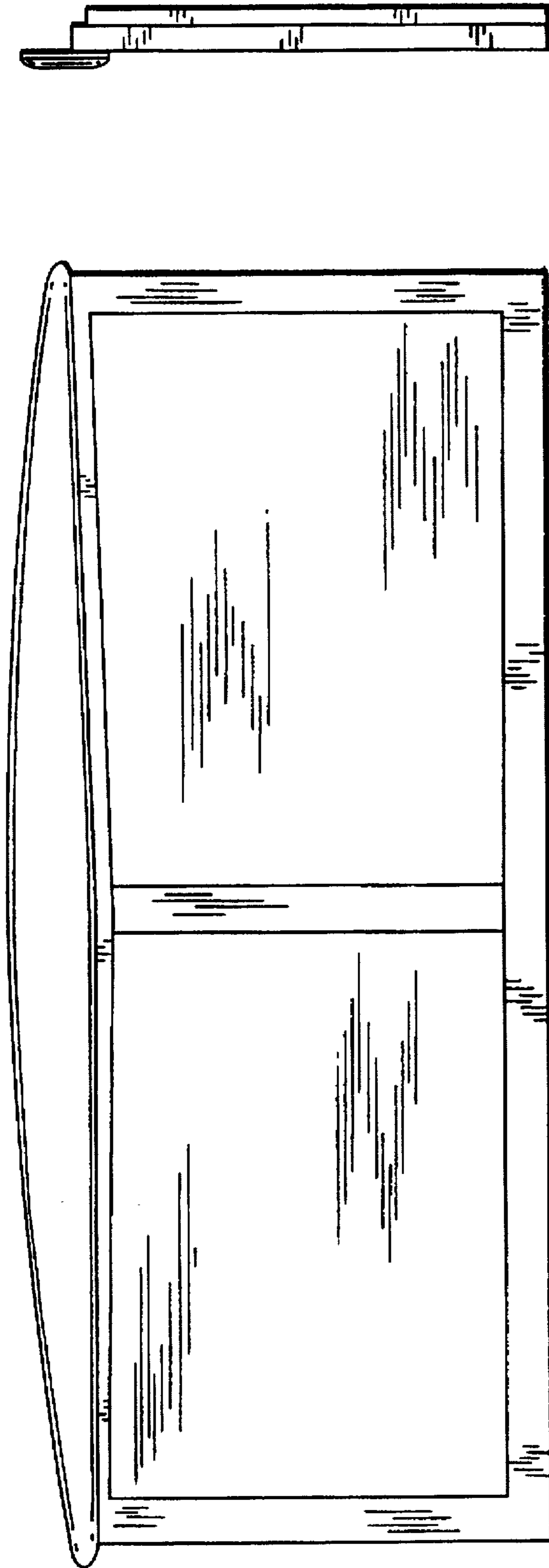


FIG. 4

FIG. 3