



US00D388981S

United States Patent [19]

Gongora et al.

[11] Patent Number: **Des. 388,981**

[45] Date of Patent: ****Jan. 13, 1998**

[54] **TABLE**

D. 371,699	7/1996	Muller-Deisig et al.	D6/482
5,438,937	8/1995	Ball et al.	108/64
5,622,118	4/1997	Rowan	108/65

[75] Inventors: **Antonio Canton Gongora; Carlos Jesús Cruz Fernandez; José María Muñagorri Enriquez; Juan Carlos Rayo Ortigüela**, all of Madrid, Spain

Primary Examiner—Janice E. Seeger
Attorney, Agent, or Firm—Reid & Priest L.L.P.

[73] Assignee: **Telefonica de España, S.A.**, Madrid, Spain

[57] **CLAIM**

[**] Term: **14 Years**

The ornamental design for a table, as shown and described.

[21] Appl. No.: **62,701**

DESCRIPTION

[22] Filed: **Nov. 21, 1996**

FIG. 1 is a bottom plan view of a table embodying our new and ornamental design;

[30] **Foreign Application Priority Data**

May 21, 1996 [ES] Spain 137530

FIG. 2 is a rear elevation thereof;

[51] LOC (6) Cl. **06-03**

FIG. 3 is a right side elevation thereof;

[52] U.S. Cl. **D6/482; D6/423; D6/430**

FIG. 4 is a front elevation thereof;

[58] Field of Search D6/480-489, 495, D6/496, 498, 499, 442, 423, 429-431; 108/144, 146, 150, 153, 157, 161, 64; 248/188, 188.1

FIG. 5 is a left side elevation thereof;

FIG. 6 is a top plan view thereof;

FIG. 7 is a front perspective view thereof; and,

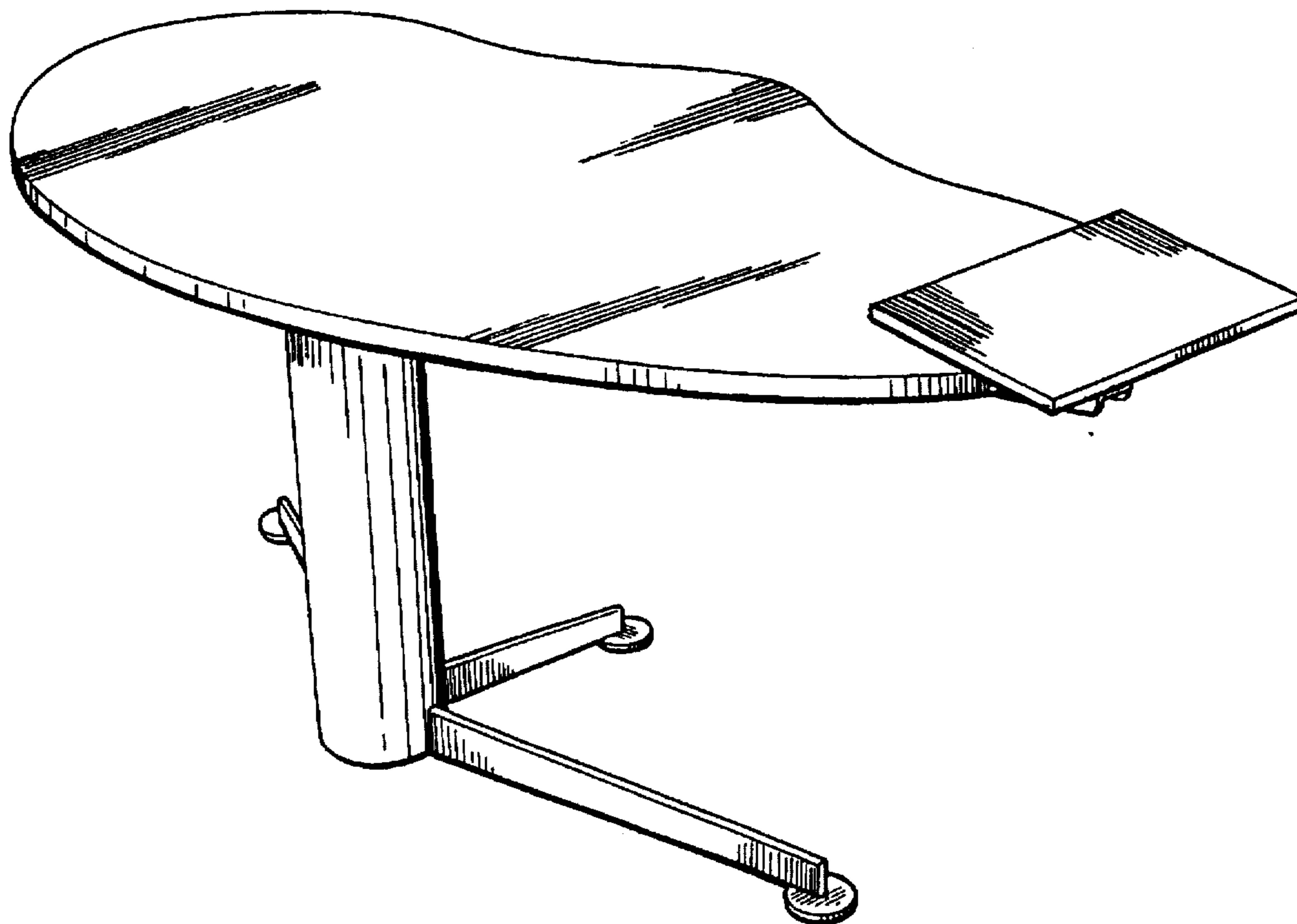
FIG. 8 is a rear perspective view thereof.

[56] **References Cited**

U.S. PATENT DOCUMENTS

D. 280,368 9/1985 Crespi D6/430

1 Claim, 3 Drawing Sheets



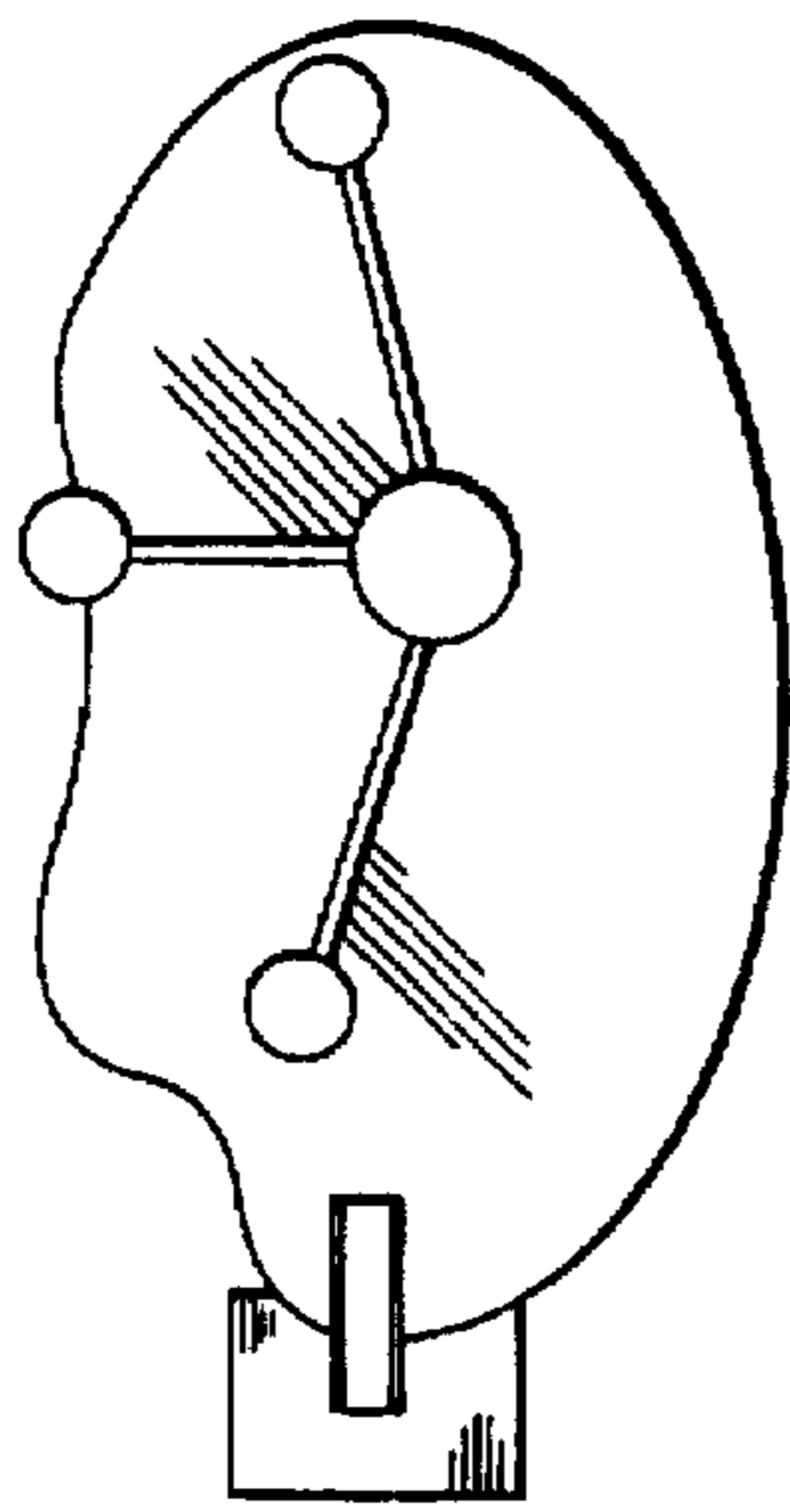


FIG. 1

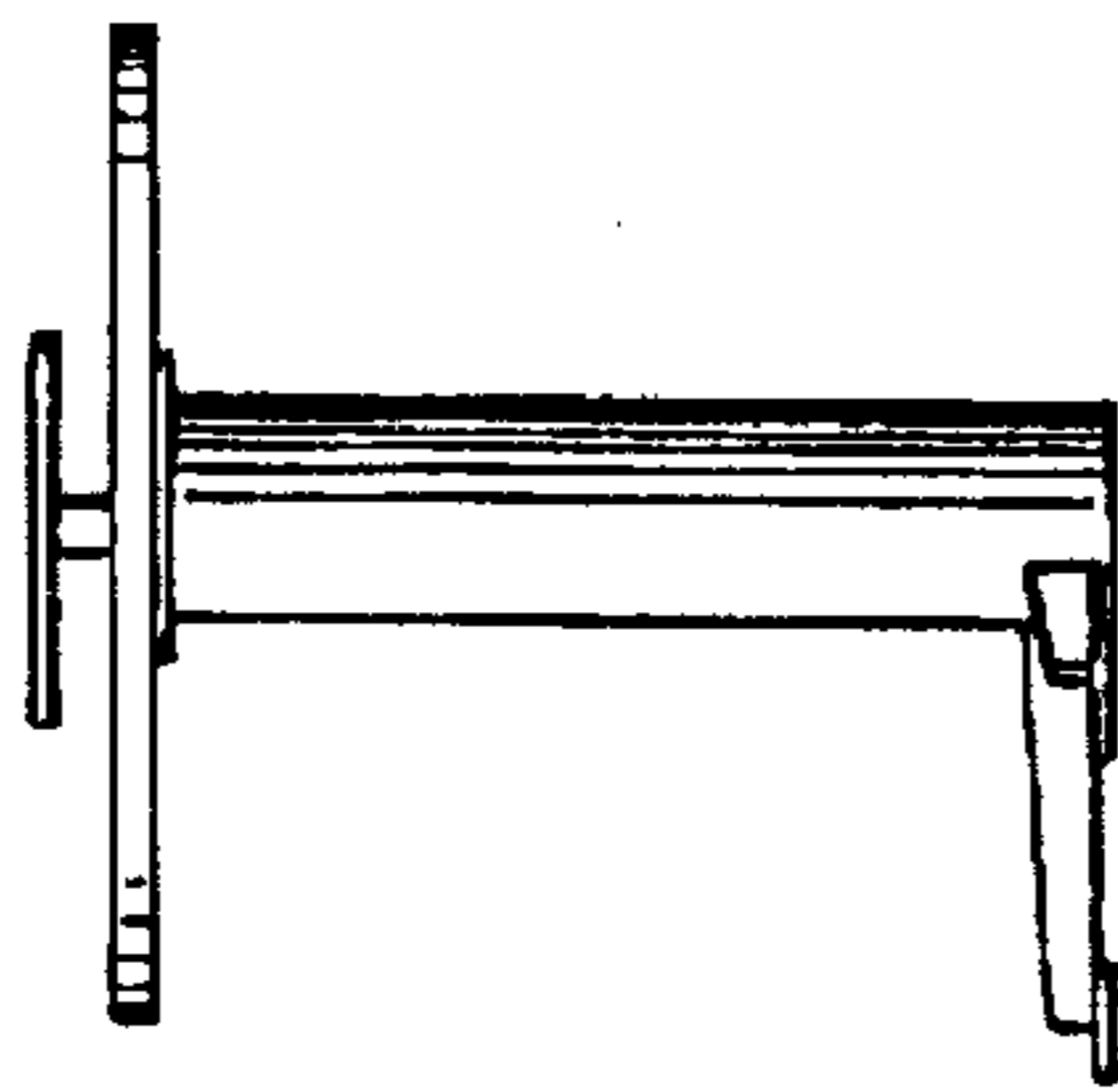


FIG. 2

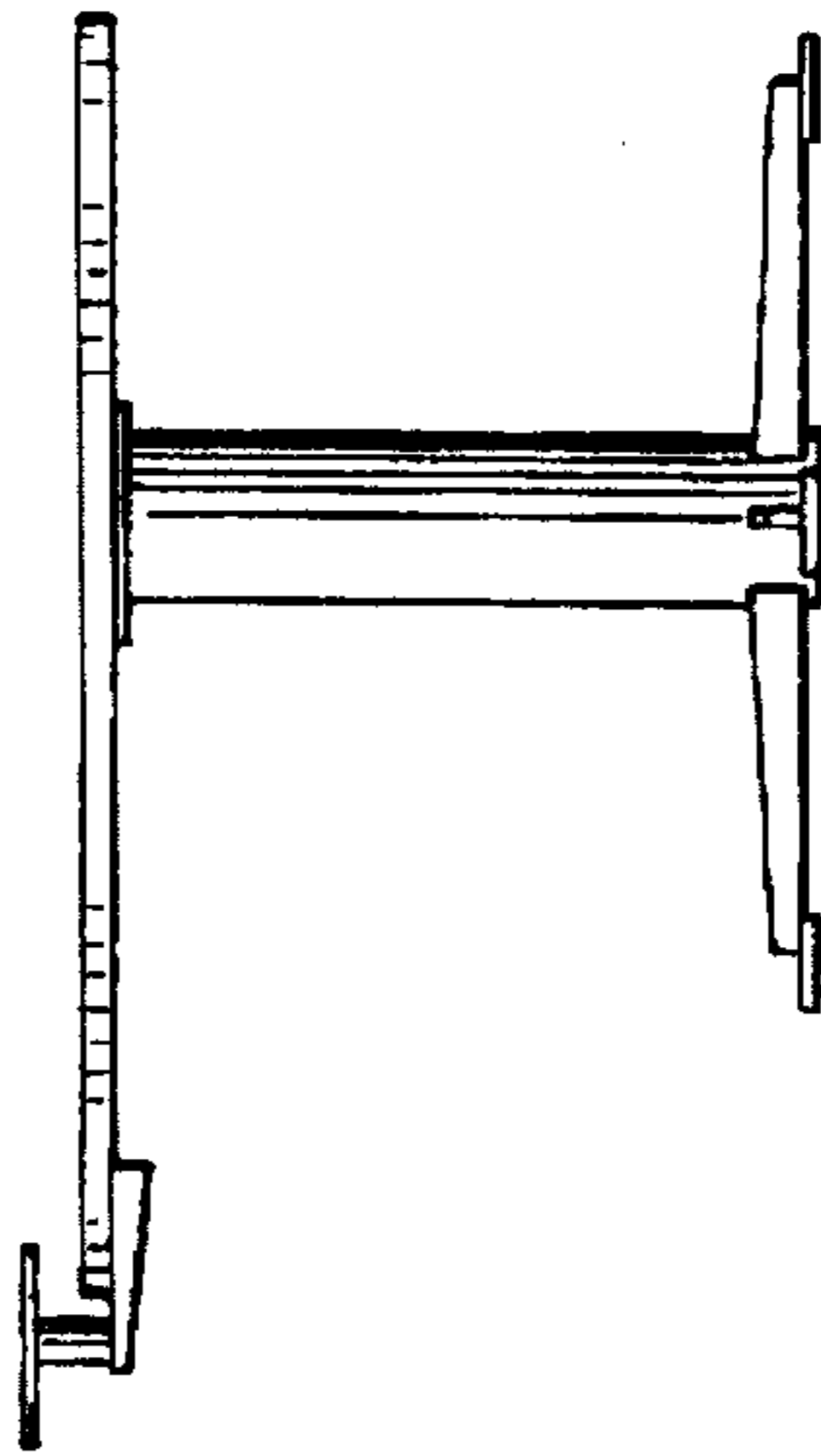


FIG. 3

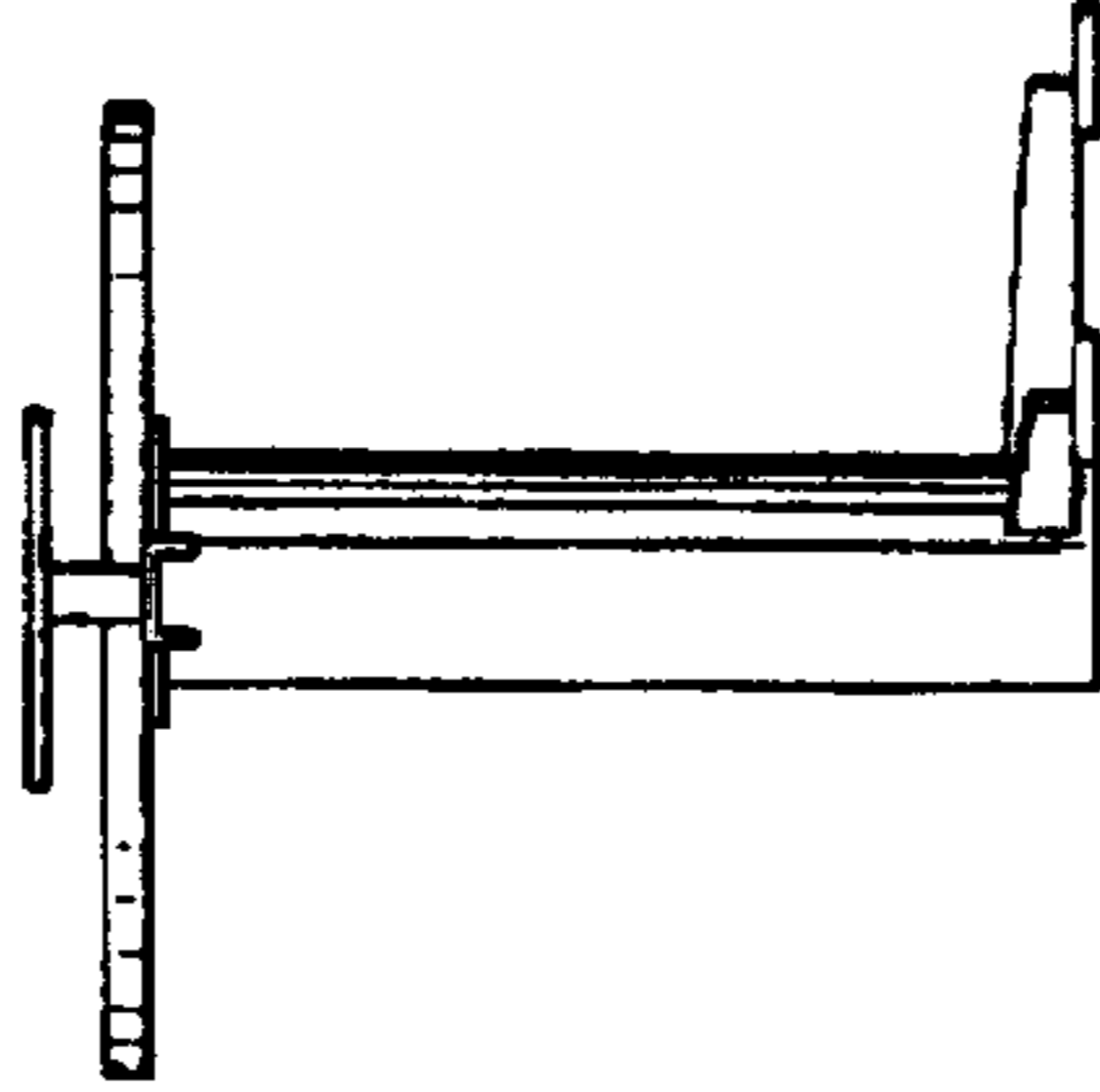


FIG. 4

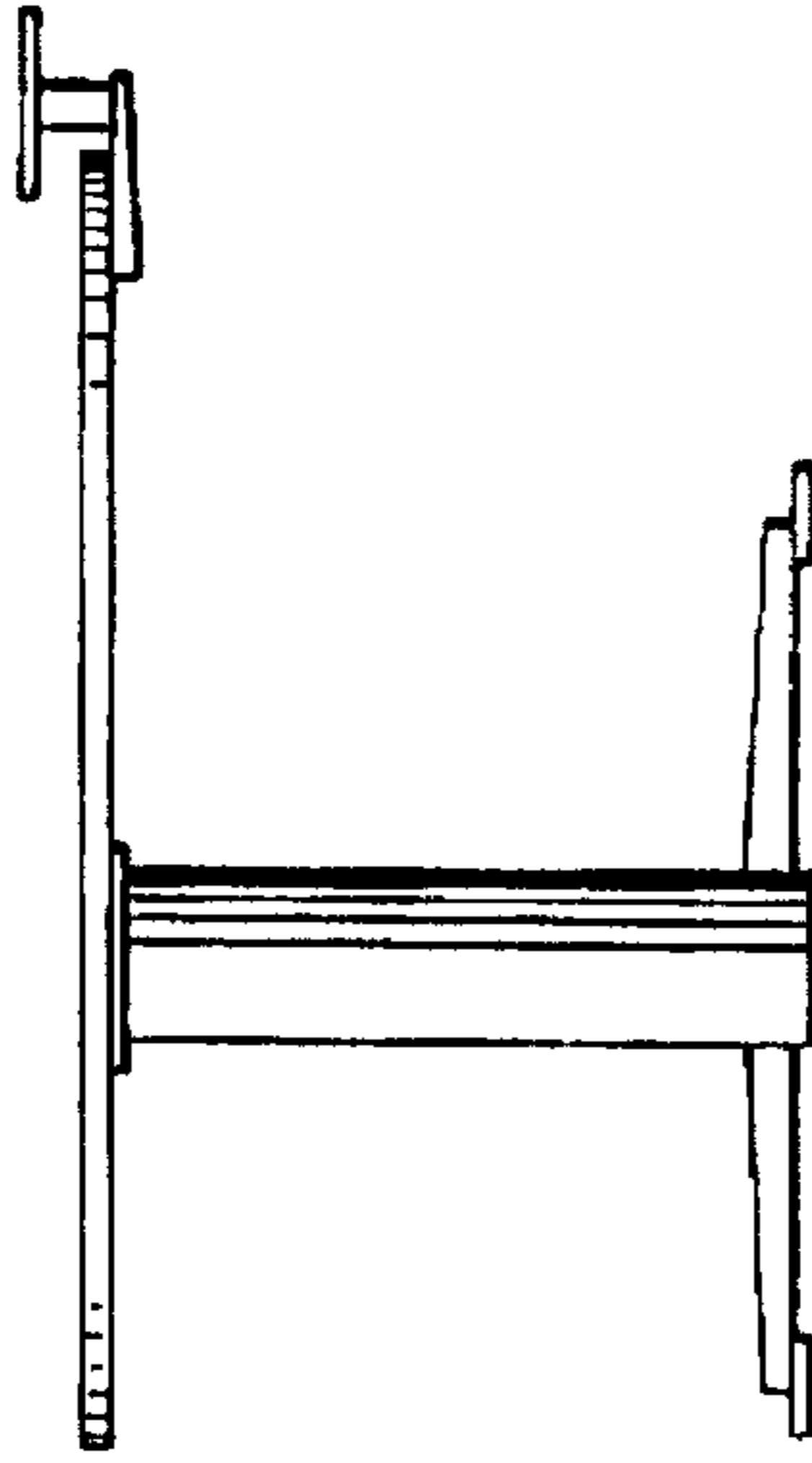


FIG. 5

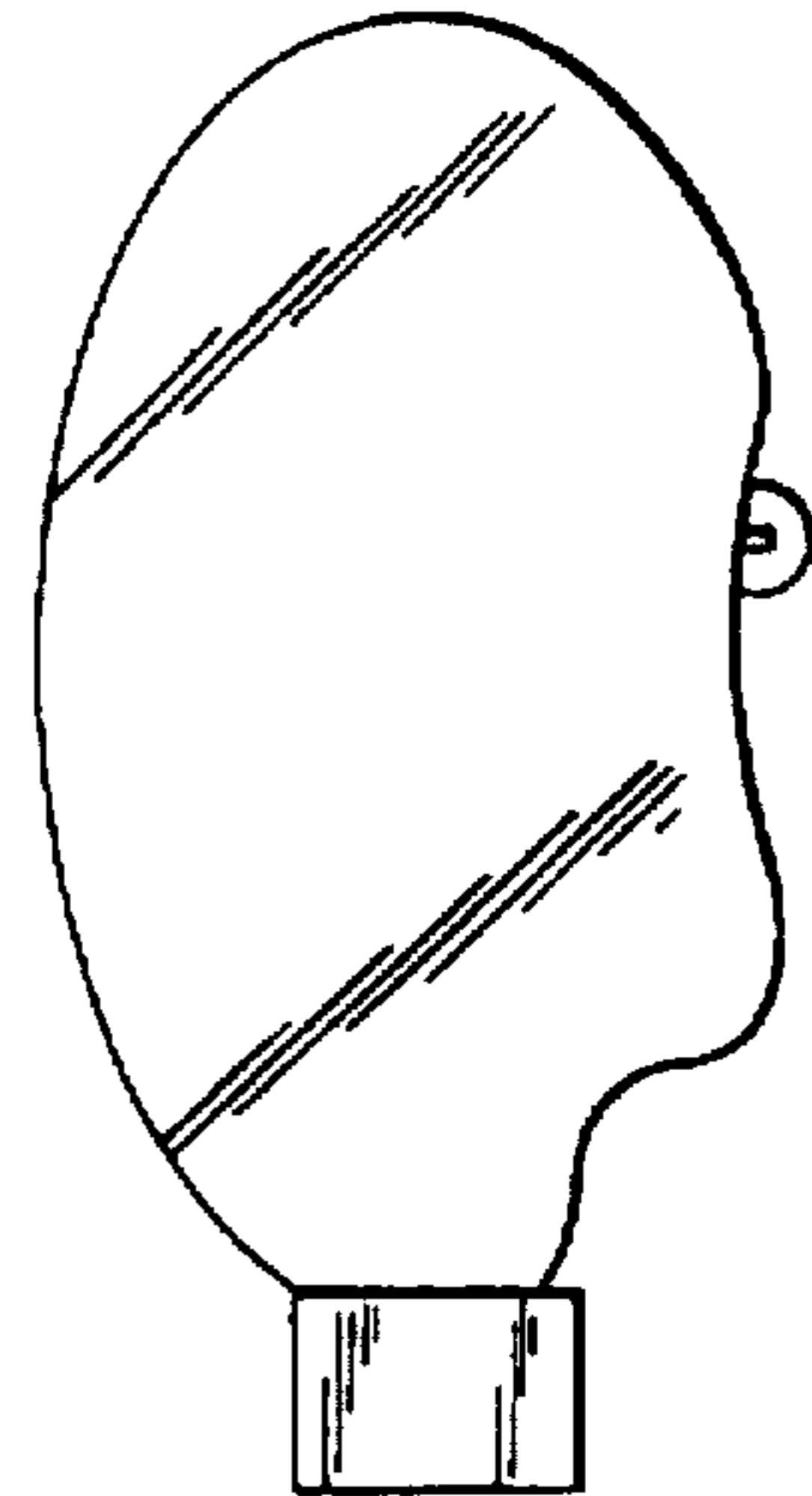


FIG. 6

FIG.-7

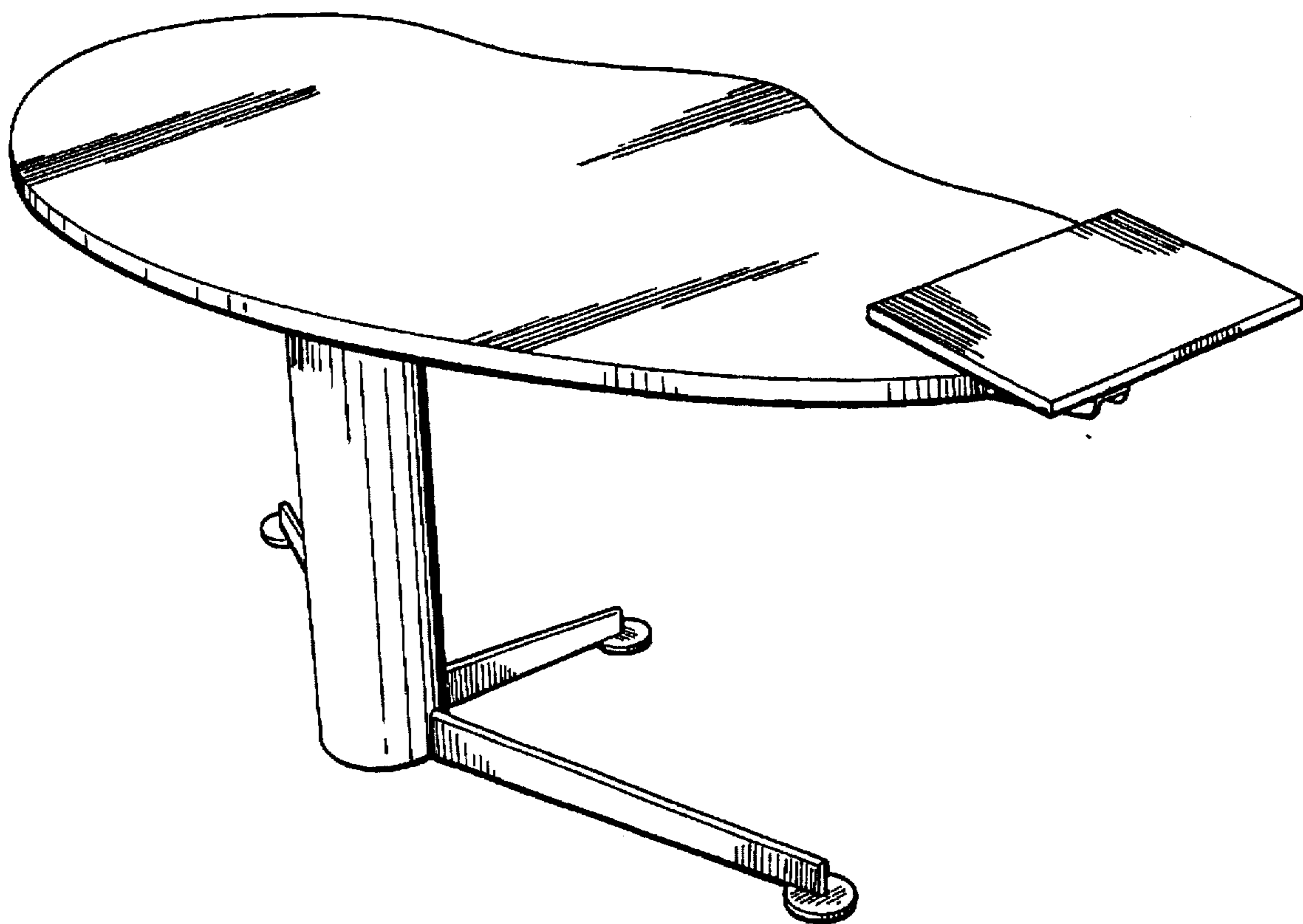


FIG.-8

