



US00D388979S

United States Patent [19]

Walters, III et al.

[11] Patent Number: **Des. 388,979**

[45] Date of Patent: ****Jan. 13, 1998**

[54] TABLE

[75] Inventors: **Guy A. Walters, III; Charles C. Cain,**
both of High Point, N.C.

[73] Assignee: **Thomasville Furniture Industries,**
Inc., Thomasville, N.C.

[**] Term: **14 Years**

[21] Appl. No.: **63,120**

[22] Filed: **Nov. 27, 1996**

[51] LOC (6) Cl. **06-03**

[52] U.S. Cl. **D6/480; D6/430**

[58] Field of Search **D6/480-489, 495,**
D6/496, 498, 429-431; 108/150, 153, 157,
161; 211/188, 188.1

[56] References Cited

U.S. PATENT DOCUMENTS

- D. 135,508 4/1943 Mildwoff D6/485 X
- D. 139,764 12/1944 Raucher D6/480
- D. 332,648 1/1993 Mitchell, Jr. D21/232

OTHER PUBLICATIONS

AKKO, Feb. 1, 1991, p. 7, #1245 Gull Table in center.
American Antique Furniture, p. 799, Lyres Table Leg, Date:
1546.

Primary Examiner—Janice E. Seeger
Attorney, Agent, or Firm—Rhodes, Coats & Bennett, L.L.P.

[57] CLAIM

The ornamental design for a table, as shown and described.

DESCRIPTION

FIG. 1 is a left front perspective view of a table showing our
new design;

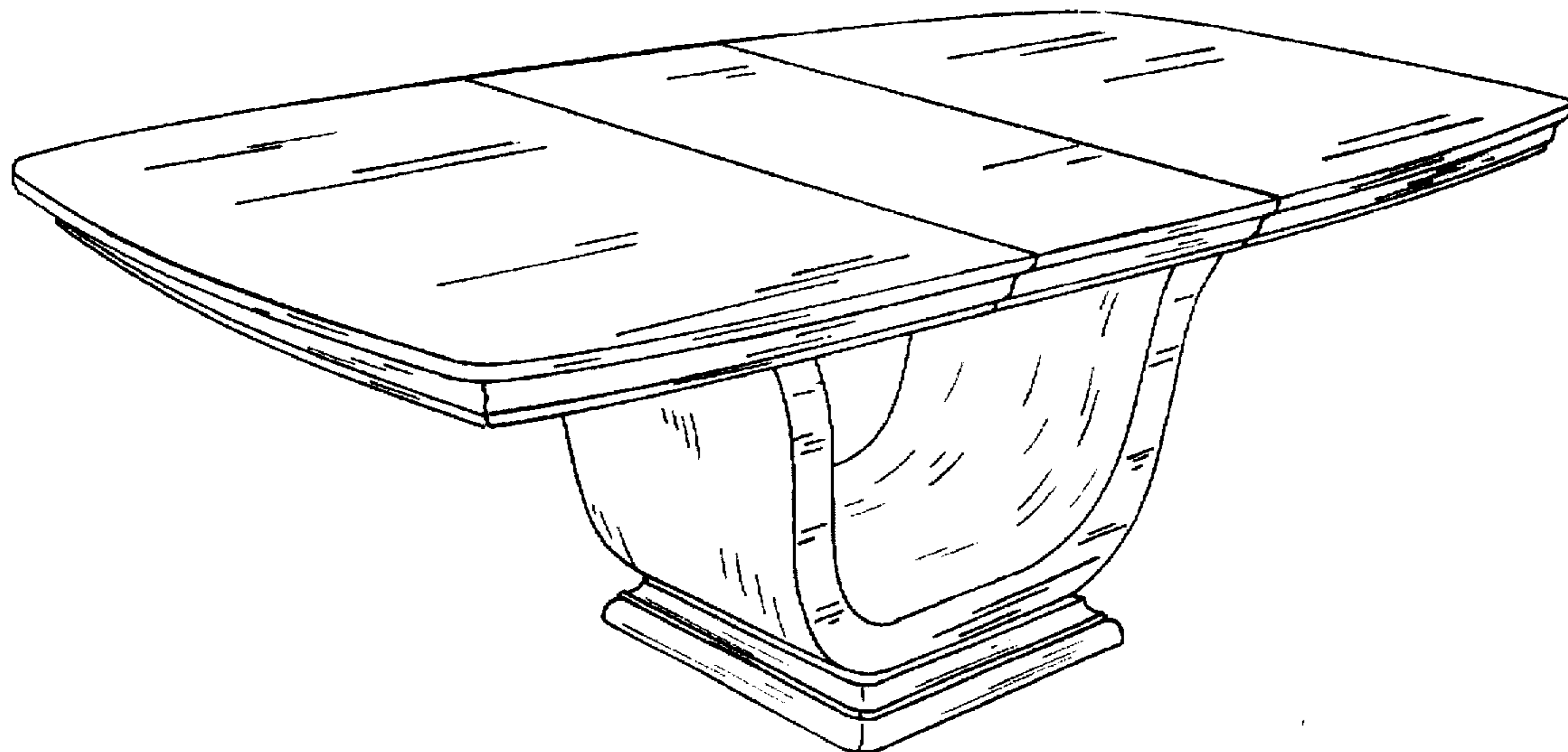
FIG. 2 is a front elevational view thereof;

FIG. 3 is a side view, the opposite side being a mirror image
of the side shown; and,

FIG. 4 is a top view thereof.

The bottom view is not shown and forms no part of the
claimed design.

1 Claim, 4 Drawing Sheets



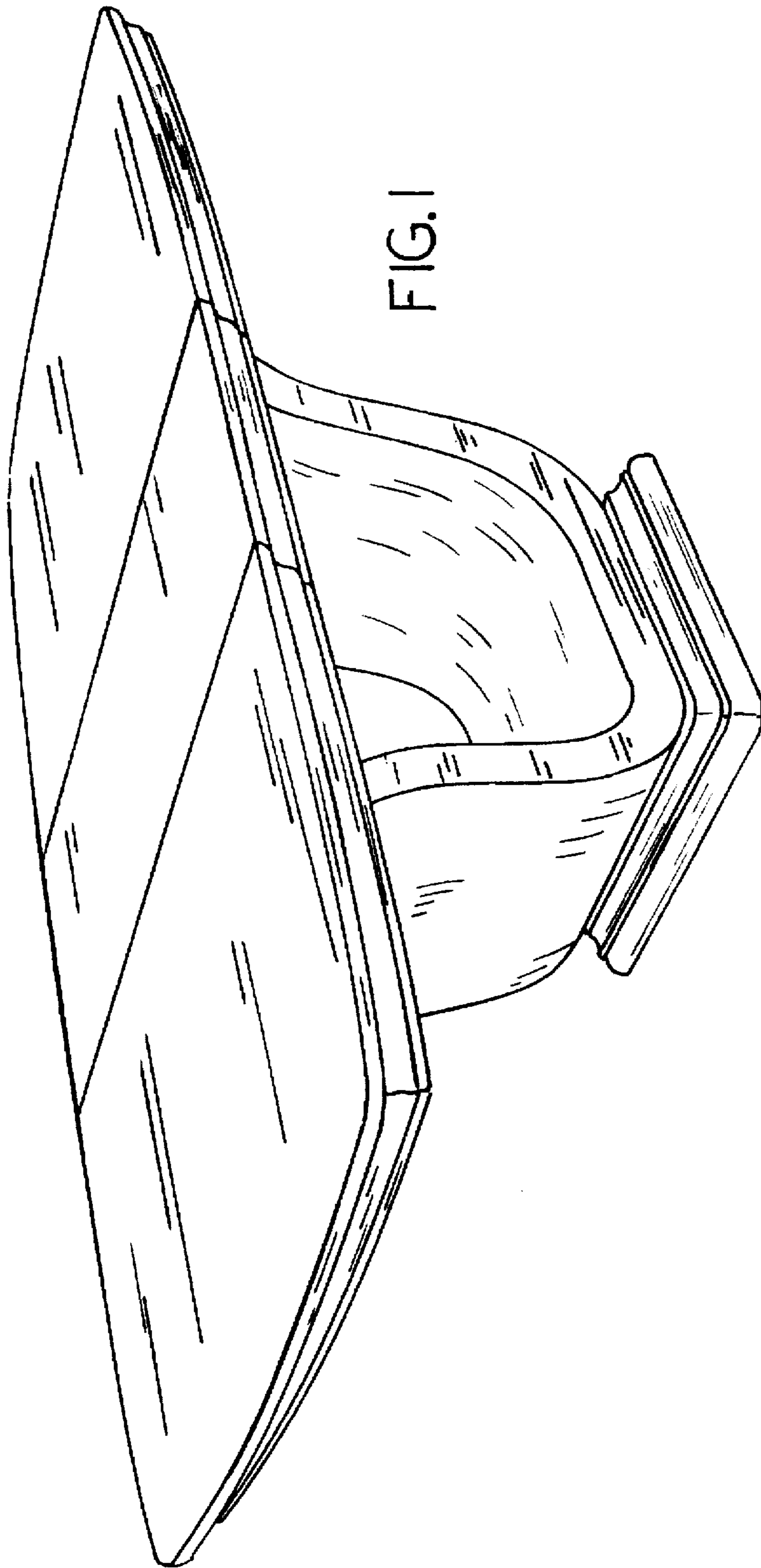


FIG. 1

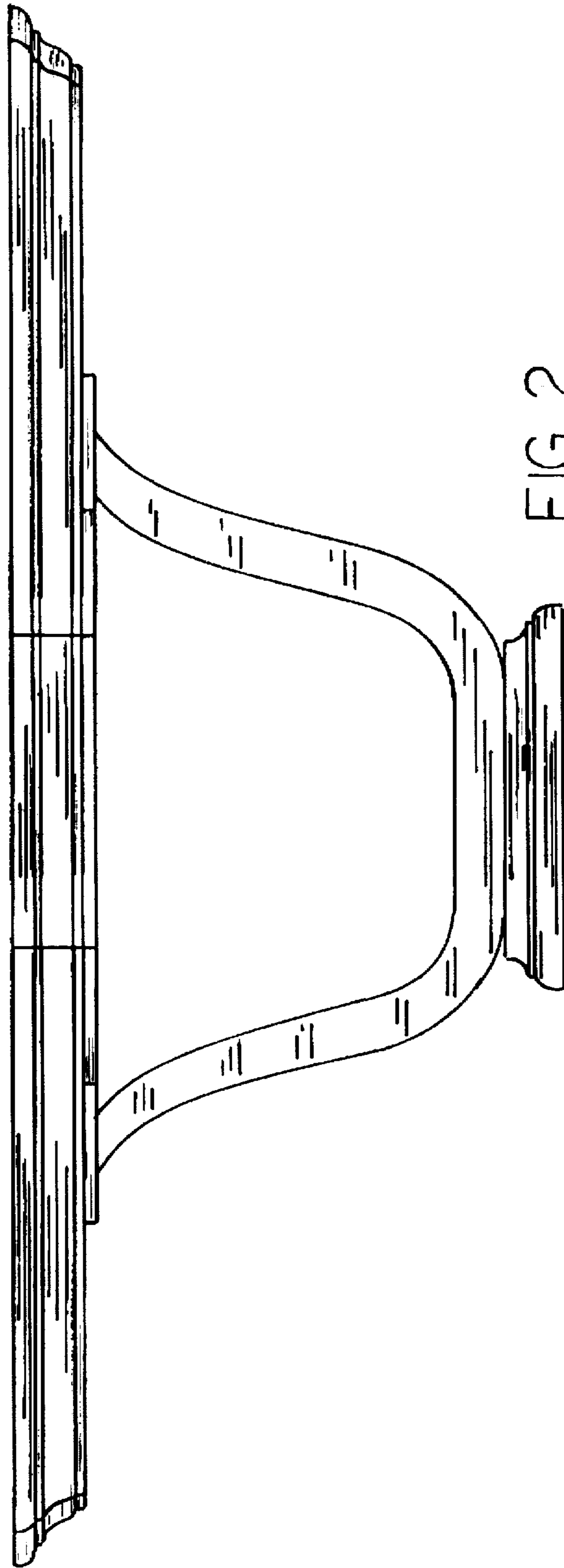


FIG. 2

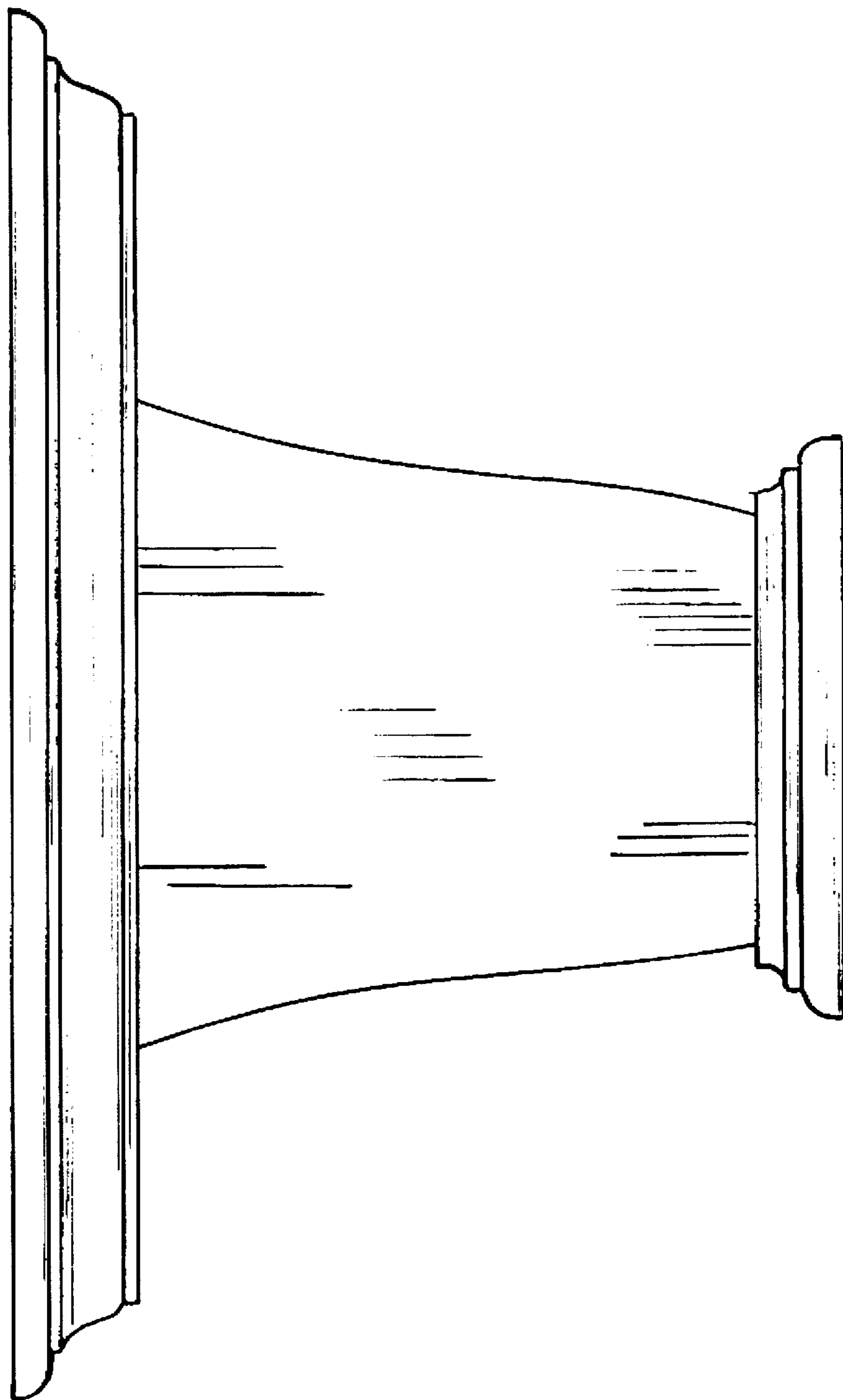


FIG. 3

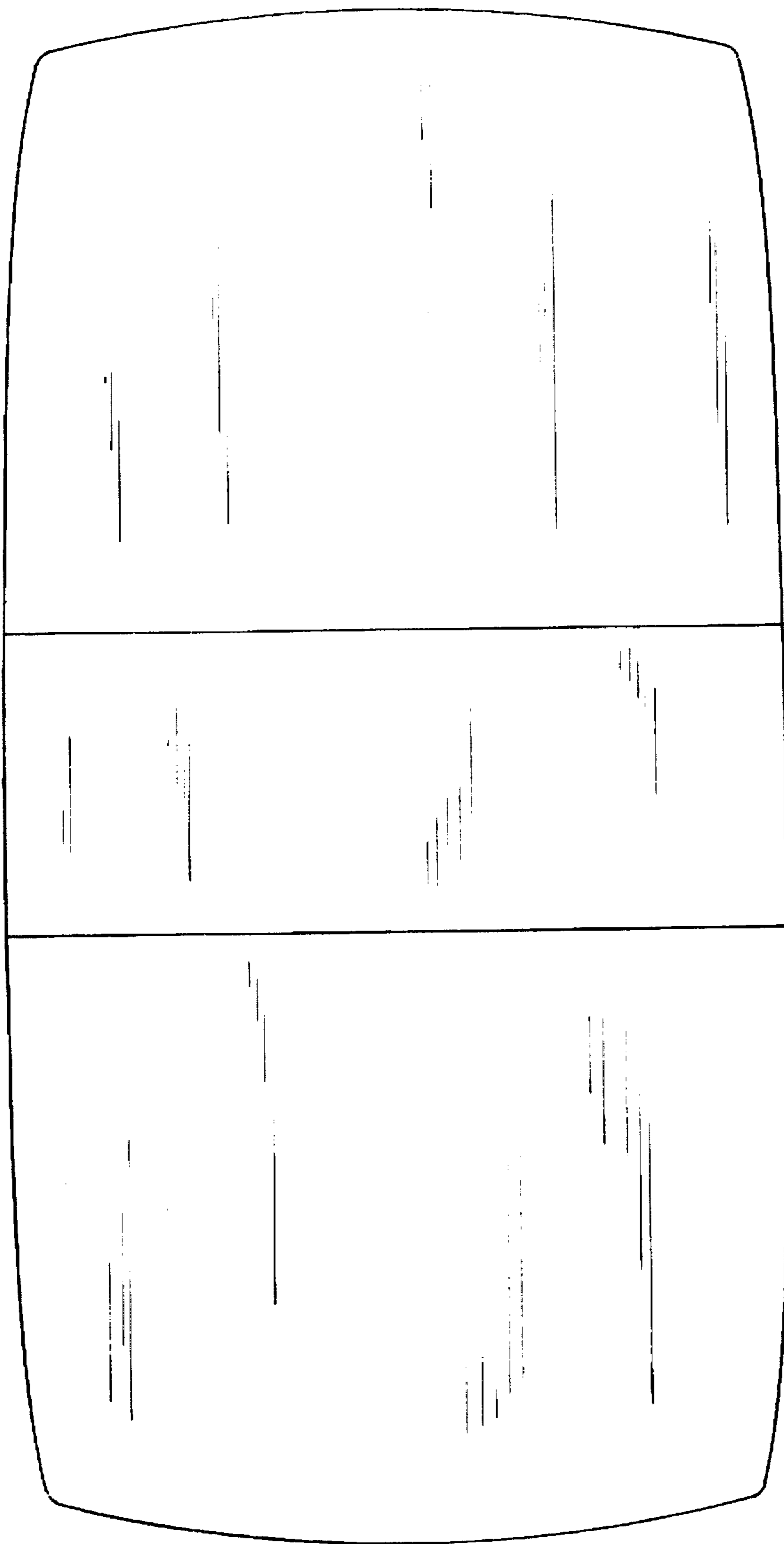


FIG. 4