



US00D388975S

# United States Patent [19]

Naas et al.

[11] Patent Number: **Des. 388,975**

[45] Date of Patent: **\*\*Jan. 13, 1998**

[54] **SWING TRAY LAPTOP COMPUTER WORKSTATION**

[75] Inventors: **Robert L. Naas**, Skaneateles; **Gregory S. Tribbe**, New York; **Peter F. Lynch**, Skaneateles; **Timothy R. Fitch**, Camillus, all of N.Y.

[73] Assignee: **Sirco Mfg., Inc.**, Missoula, Mont.

[\*\*] Term: **14 Years**

[21] Appl. No.: **56,214**

[22] Filed: **Jun. 25, 1996**

[51] LOC (6) Cl. .... **06-04**

[52] U.S. Cl. .... **D6/425; D6/430**

[58] Field of Search ..... **D6/421-428, 429-431, D6/474; D34/19-22; 312/194-196, 297**

[56] **References Cited**

**U.S. PATENT DOCUMENTS**

- D. 139,457 11/1944 Weill ..... D6/428
- D. 179,915 3/1957 Prock ..... D6/425
- D. 287,319 12/1986 Ugalde ..... D6/425 X

- D. 289,474 4/1987 Underwood et al. .... D6/425 X
- D. 291,162 8/1987 Kwiecinski ..... D6/430
- D. 291,163 8/1987 Kwiecinski ..... D6/430
- D. 293,398 12/1987 Kwiecinski ..... D6/430

*Primary Examiner*—Carmen H. Vales-Lado  
*Attorney, Agent, or Firm*—Merchant, Gould, Smith, Edell, Welter & Schmidt, P.A.

[57] **CLAIM**

The ornamental design for a swing tray laptop computer workstation, as shown and described.

**DESCRIPTION**

FIG. 1 is a top left perspective view of a swing tray laptop computer workstation showing our new design;  
 FIG. 2 is a top left perspective view with the swivel tray in extended position for convenience of illustration;  
 FIG. 3 is a front elevational view thereof;  
 FIG. 4 is a rear elevational view thereof;  
 FIG. 5 is a left side elevational view thereof;  
 FIG. 6 is a right side elevational view thereof;  
 FIG. 7 is a top plan view thereof; and,  
 FIG. 8 is a bottom plan view thereof.

**1 Claim, 5 Drawing Sheets**

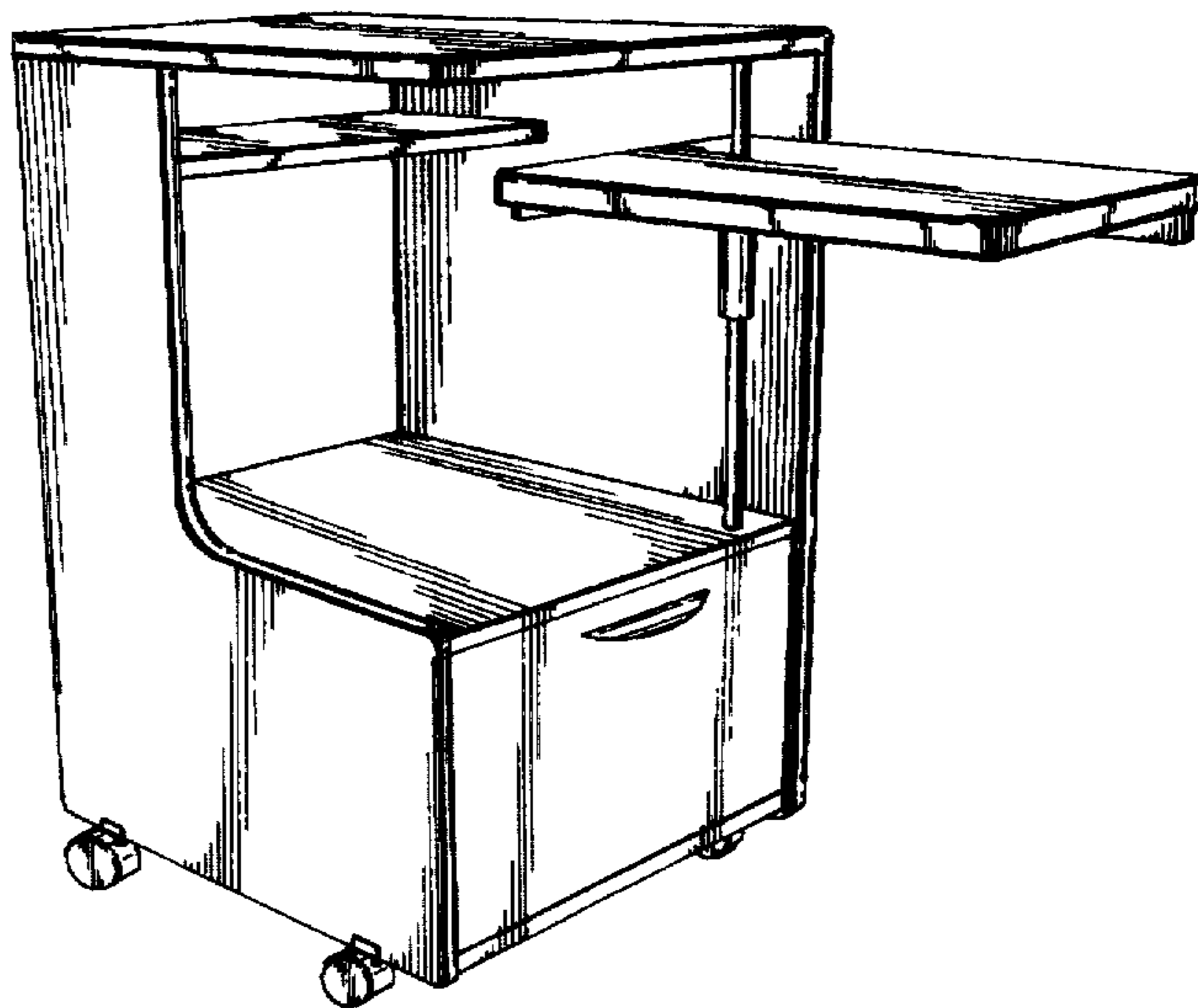
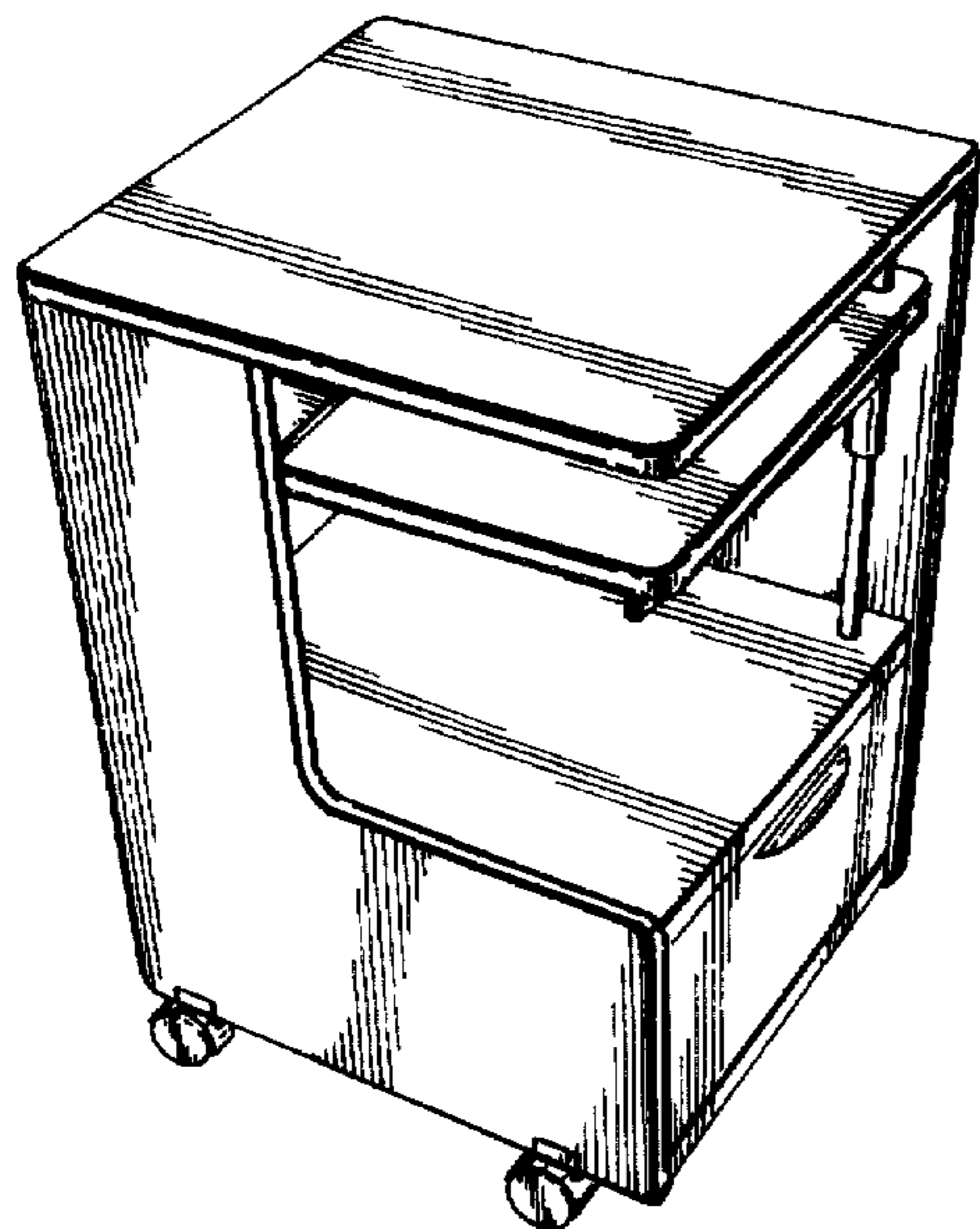
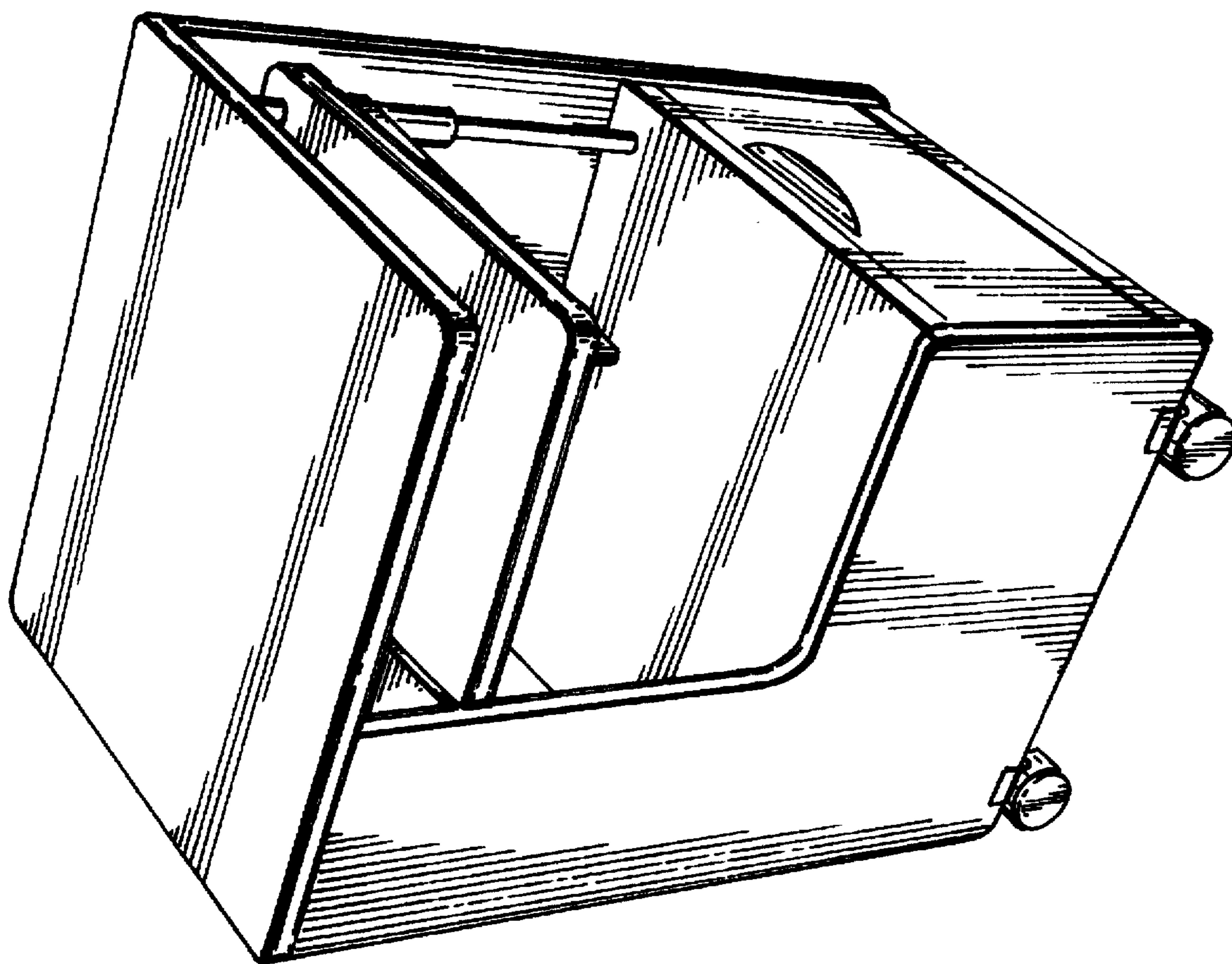


FIG. 1



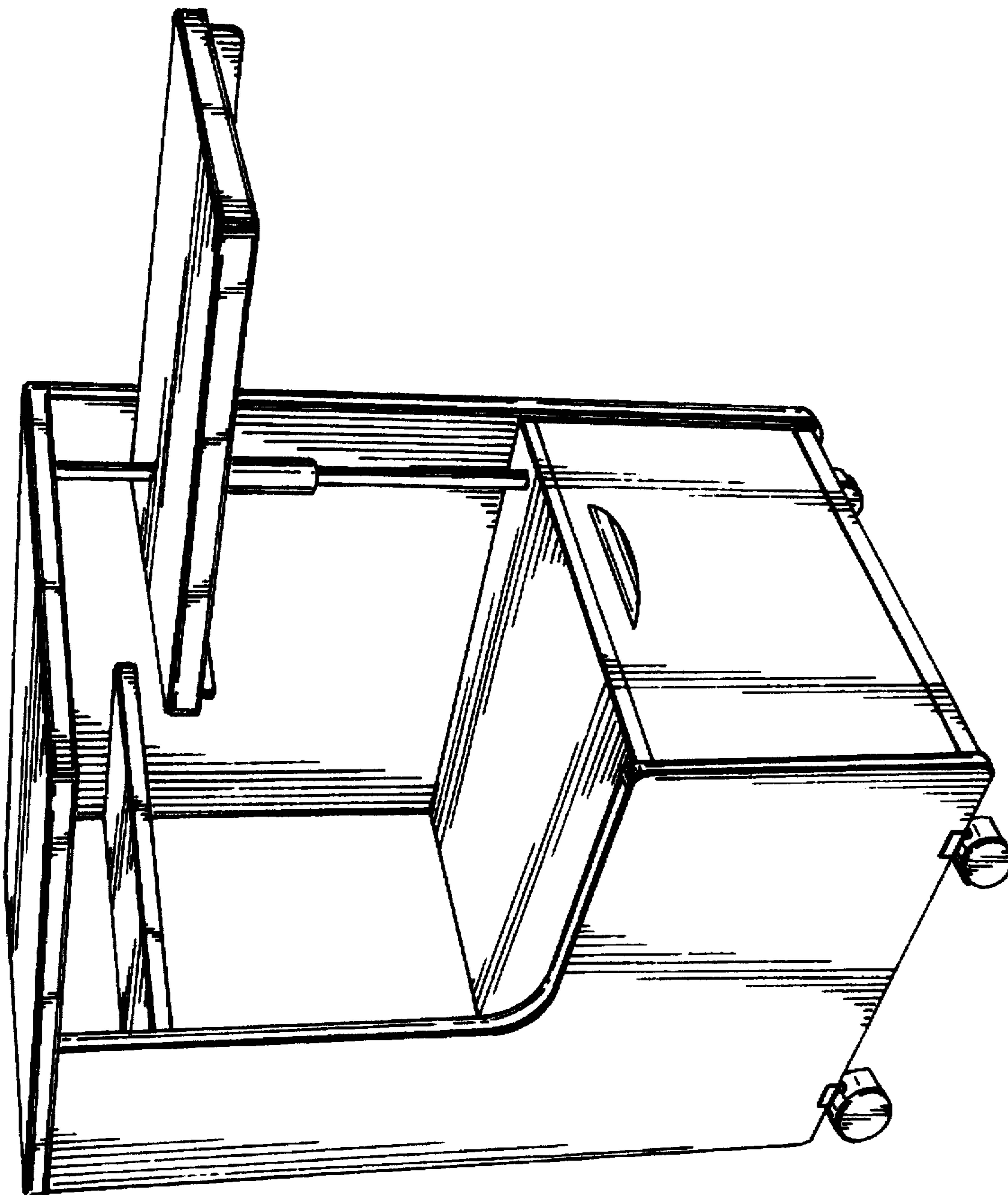


FIG. 2

FIG. 4

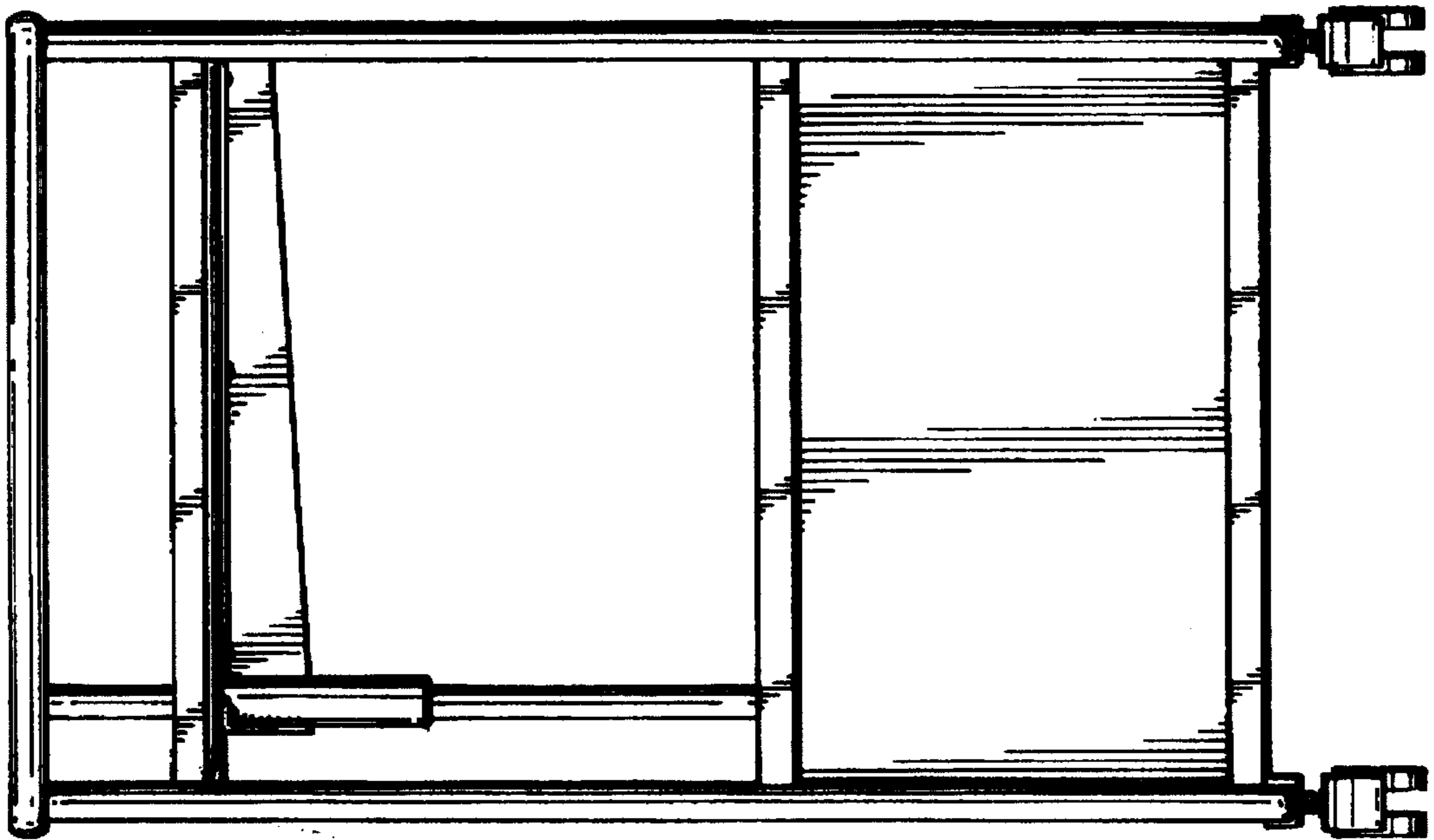


FIG. 3

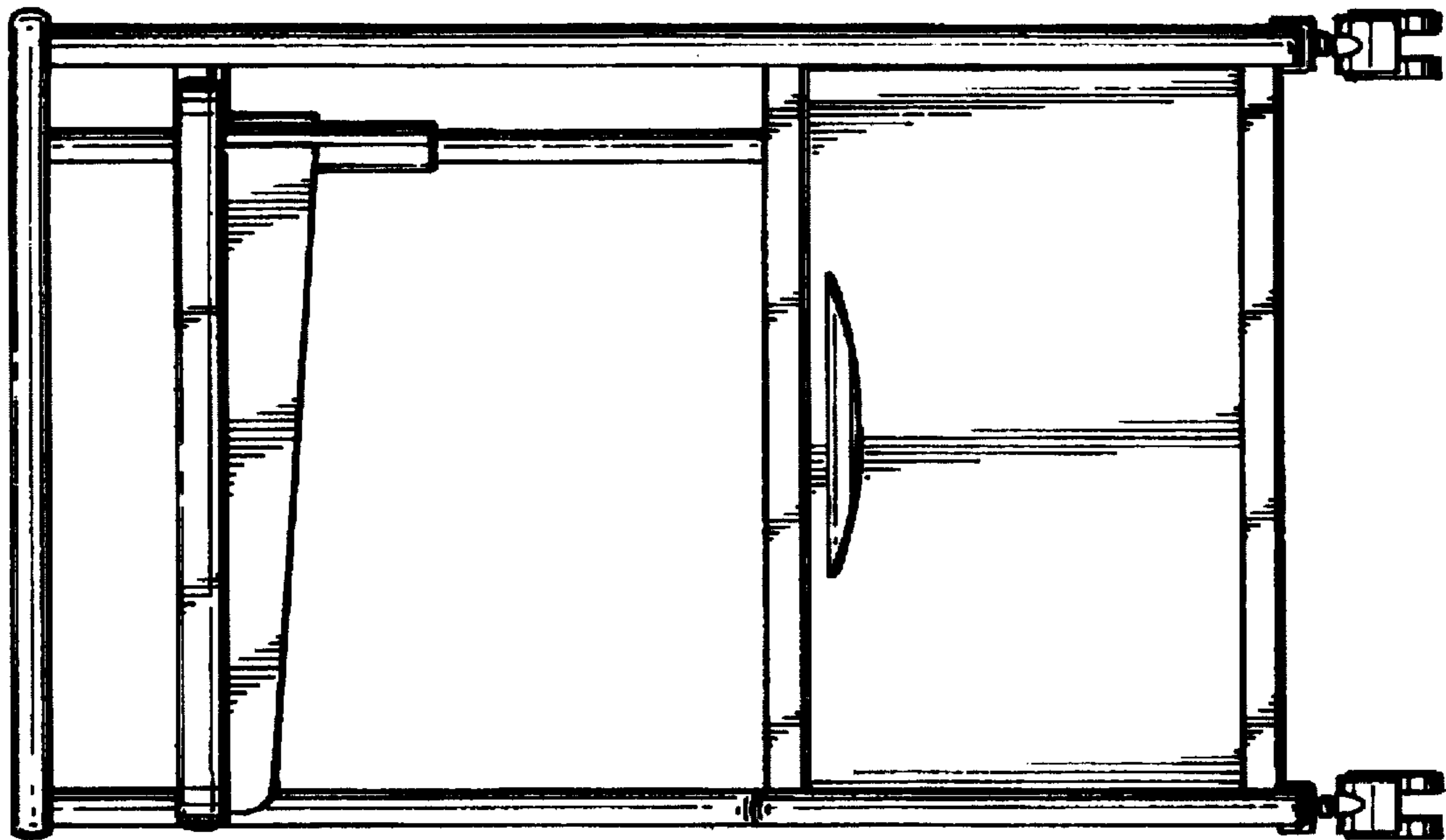


FIG. 6

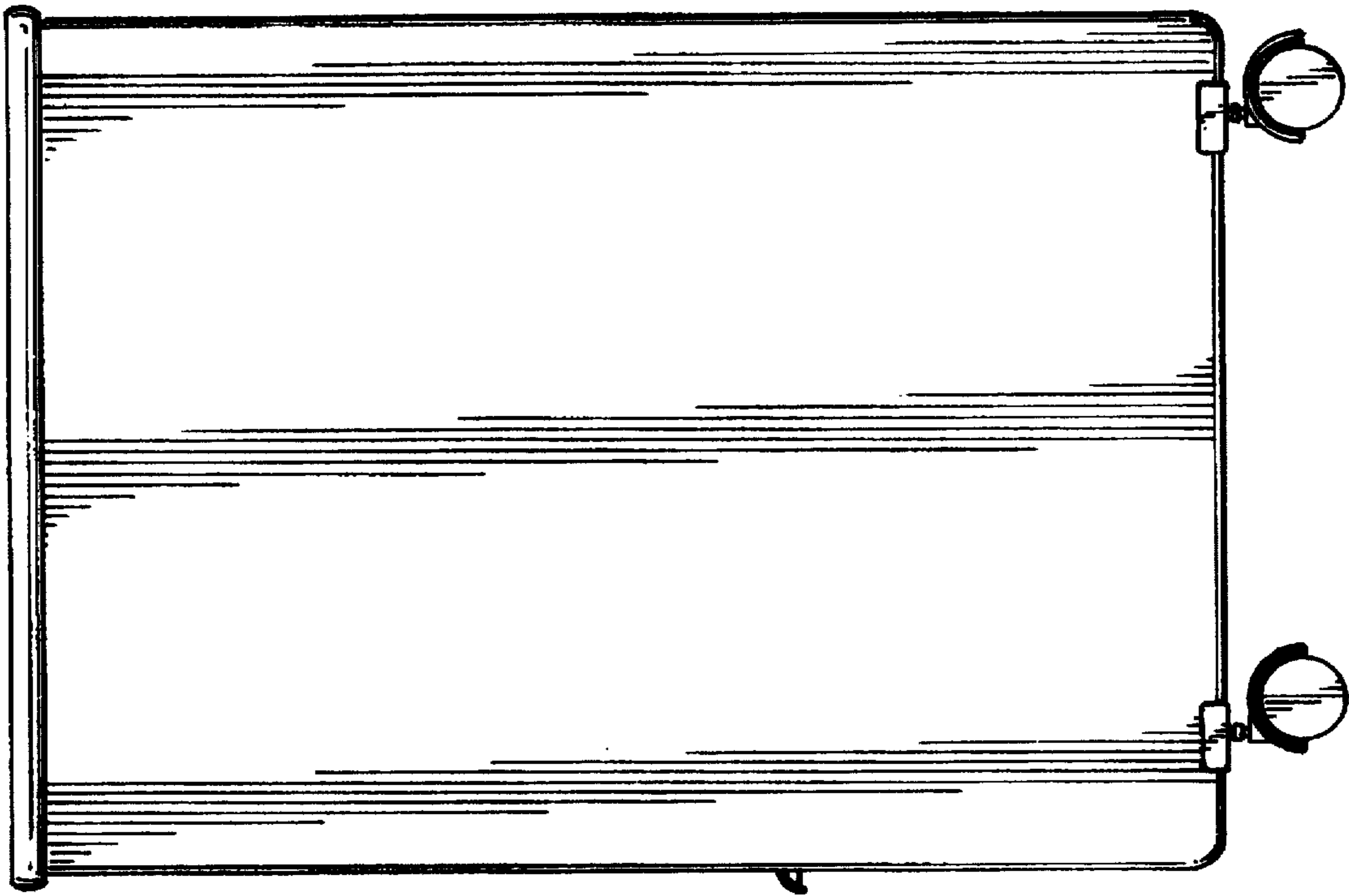


FIG. 5

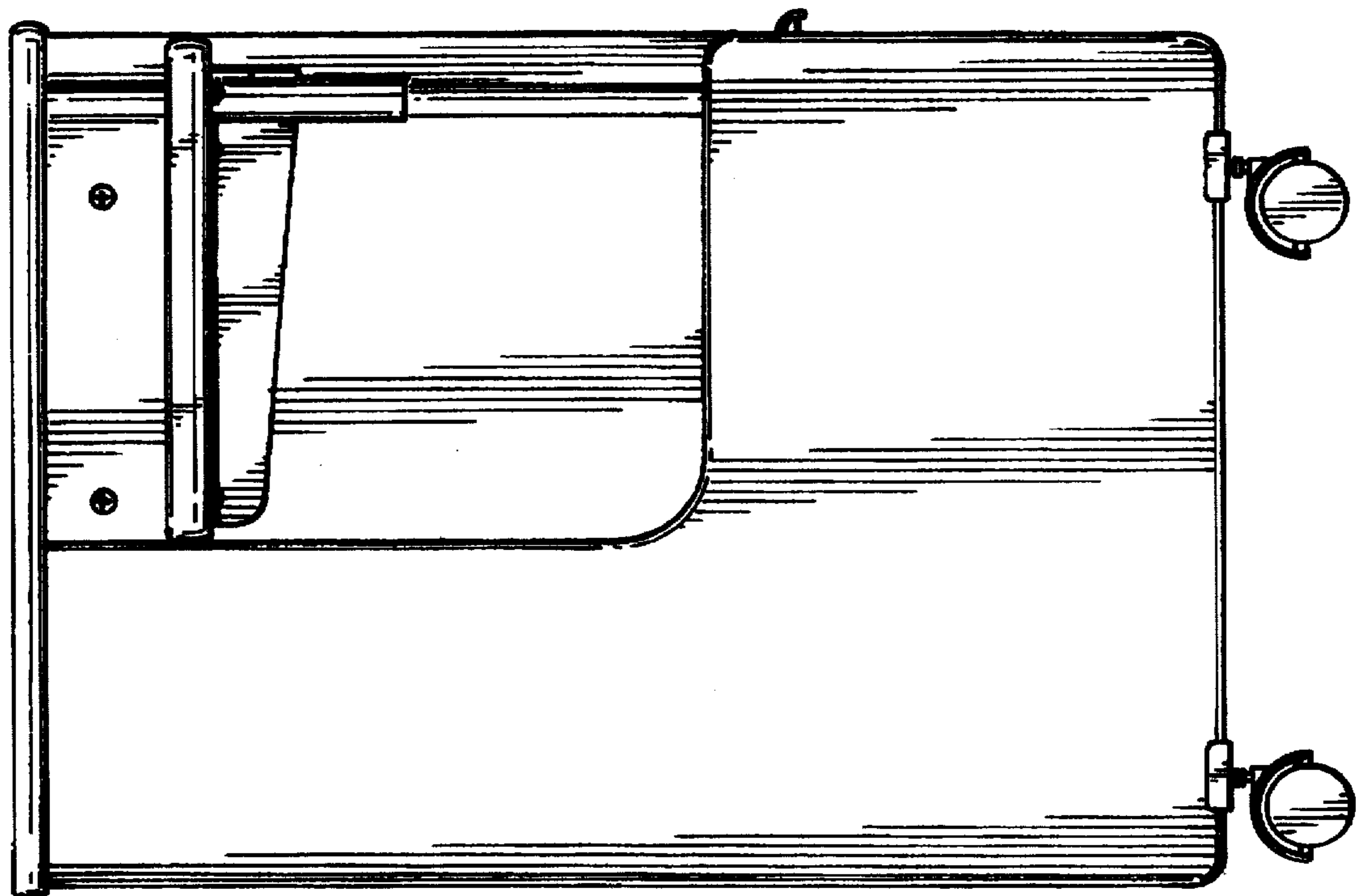


FIG. 8

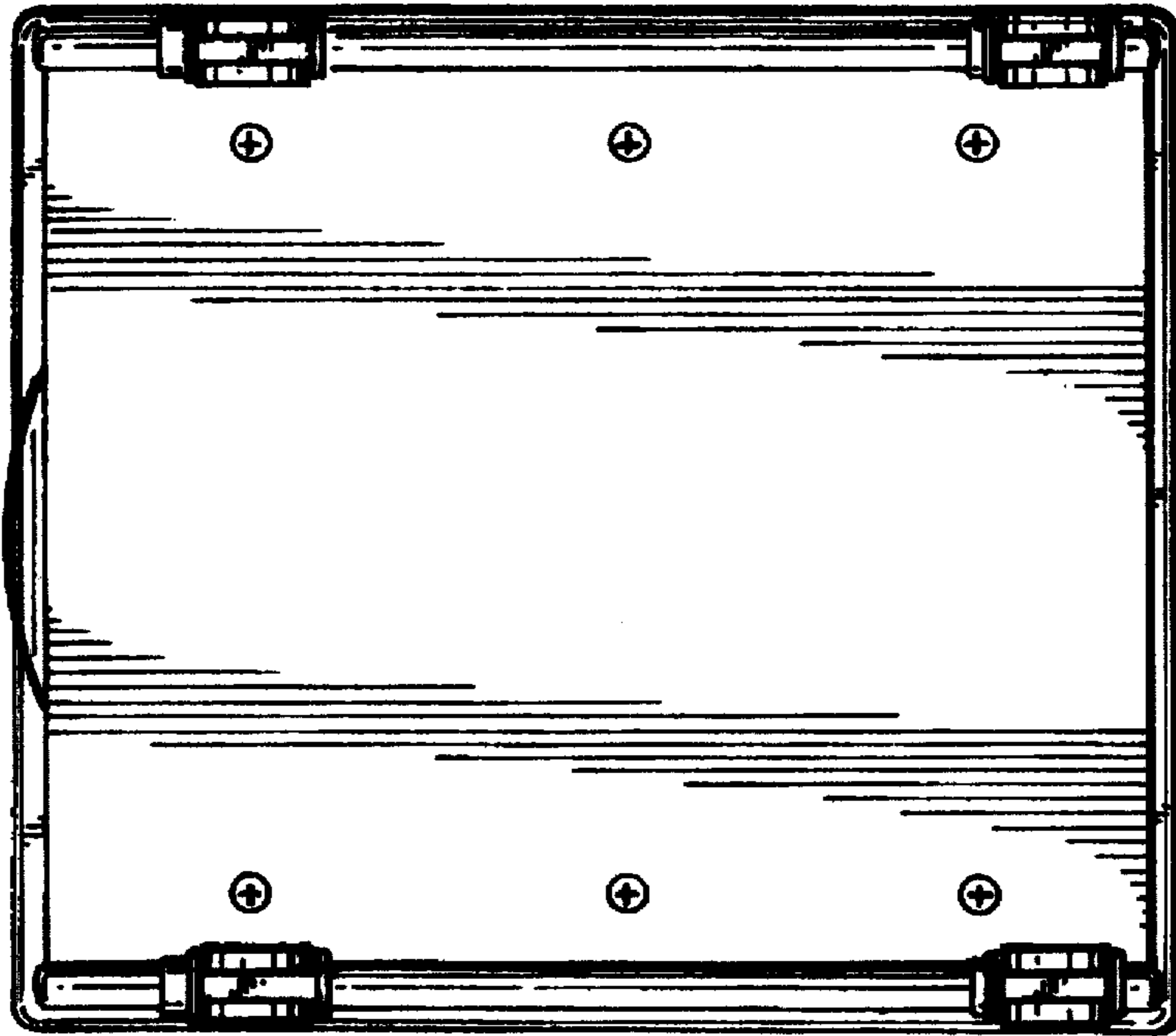


FIG. 7

