



US00D388968S

**United States Patent** [19]  
**de Visser**

[11] **Patent Number:** **Des. 388,968**  
[45] **Date of Patent:** **\*\*Jan. 13, 1998**

[54] **BED CHAIR**

[76] **Inventor:** **Arie de Visser, 2957 Squire Ave.,  
Redding, Calif. 96002**

[\*\*] **Term:** **14 Years**

[21] **Appl. No.:** **63,433**

[22] **Filed:** **Dec. 9, 1996**

[51] **LOC (6) Cl.** ..... **06-01**

[52] **U.S. Cl.** ..... **D6/368**

[58] **Field of Search** ..... **D6/334, 360, 361,  
D6/367, 368, 374, 380, 500, 501, 502;  
297/378.1, 452.2**

[56] **References Cited**

**U.S. PATENT DOCUMENTS**

- D. 235,494 6/1975 von Juergensonn ..... D6/368
- D. 346,280 4/1994 Metter ..... D6/368
- D. 371,250 7/1996 Herman ..... D6/368

*Primary Examiner*—Gary D. Watson  
*Attorney, Agent, or Firm*—Frank J. McGue

[57] **CLAIM**

The ornamental design for a bed chair, as shown and described.

**DESCRIPTION**

FIG. 1 is a perspective view of a bed chair showing the new design;

FIG. 2 is a top view of the bed chair;

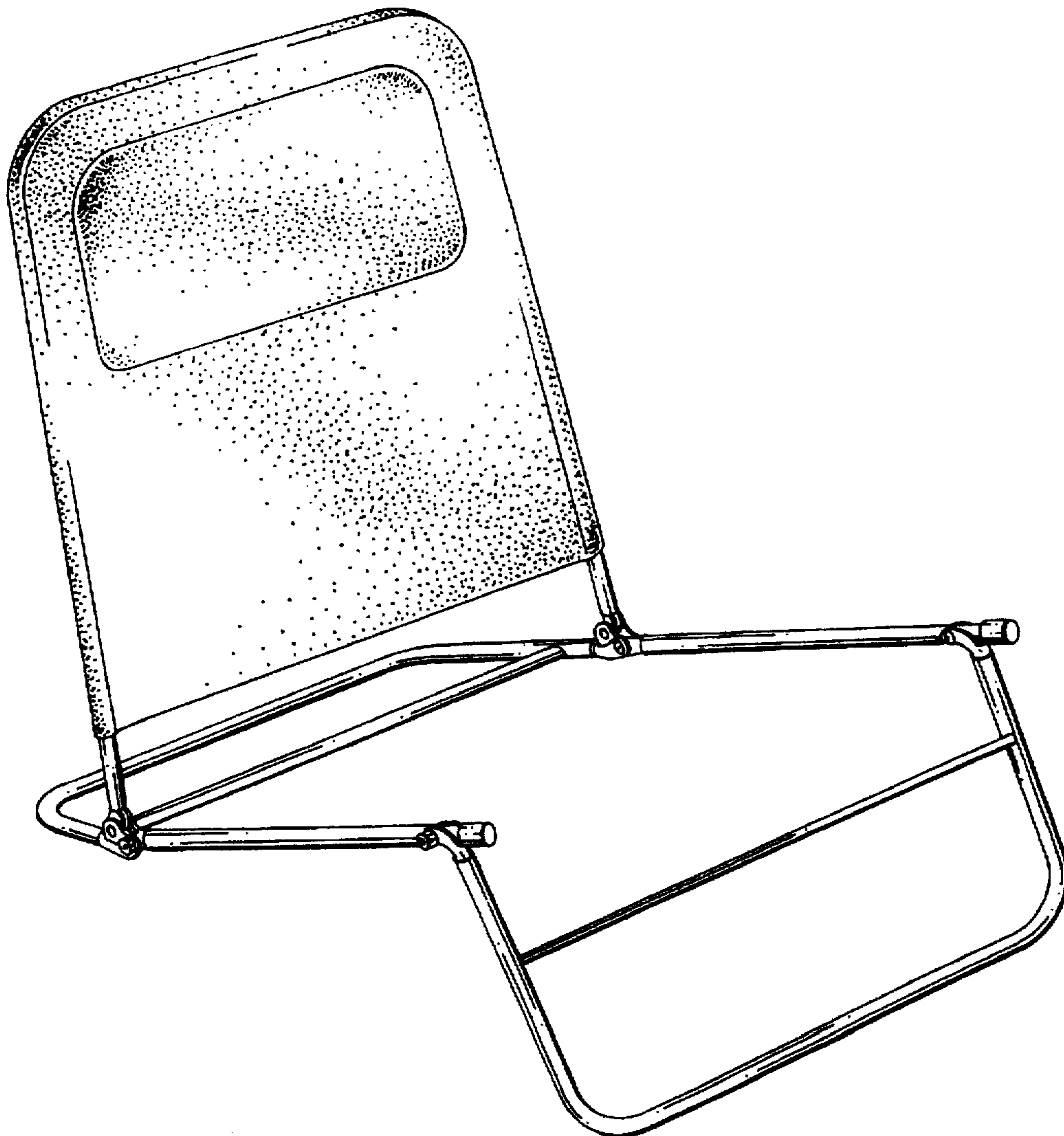
FIG. 3 is a bottom view of the bed chair;

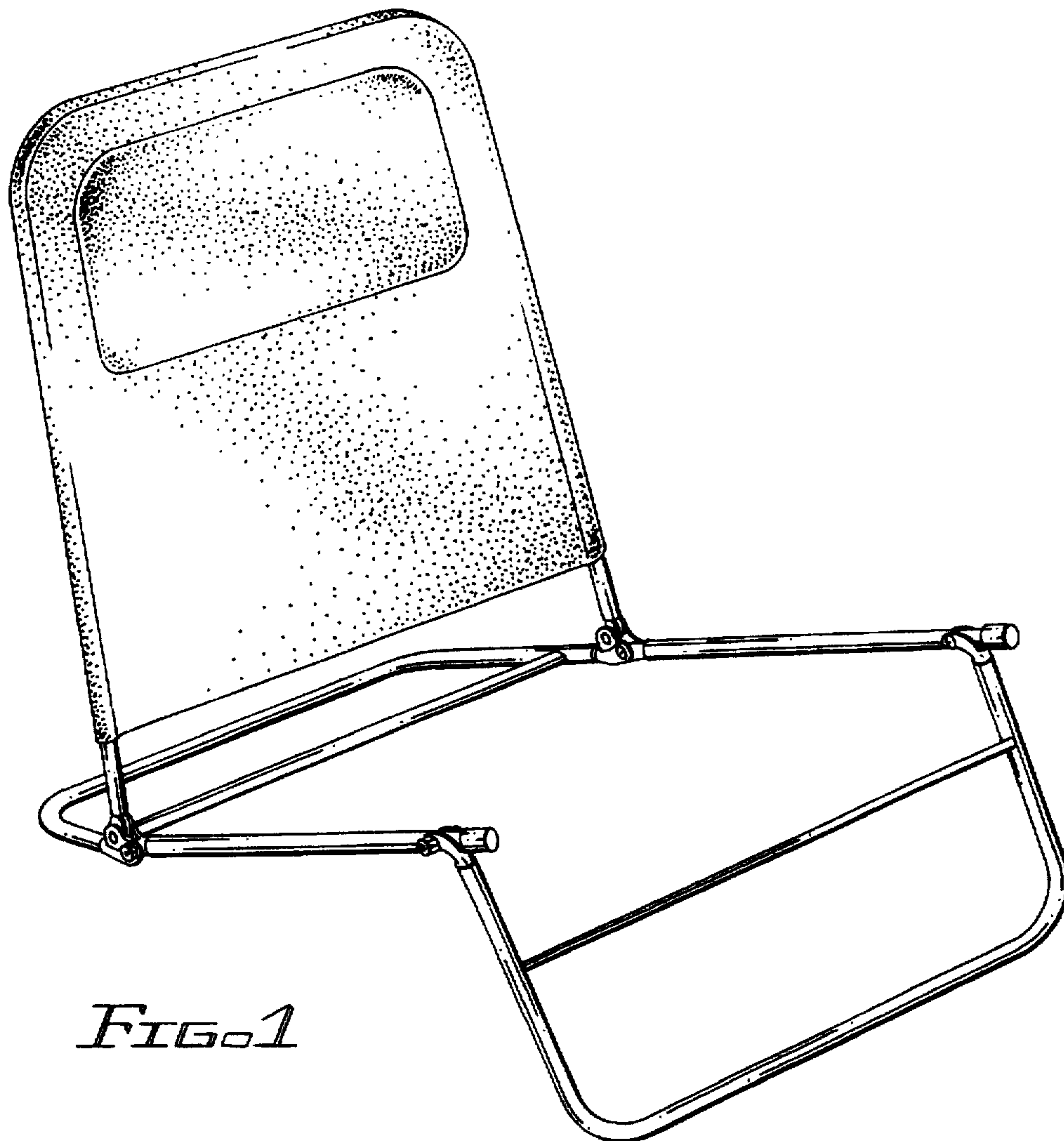
FIG. 4 is a front view of the bed chair;

FIG. 5 is a rear view of the bed chair; and,

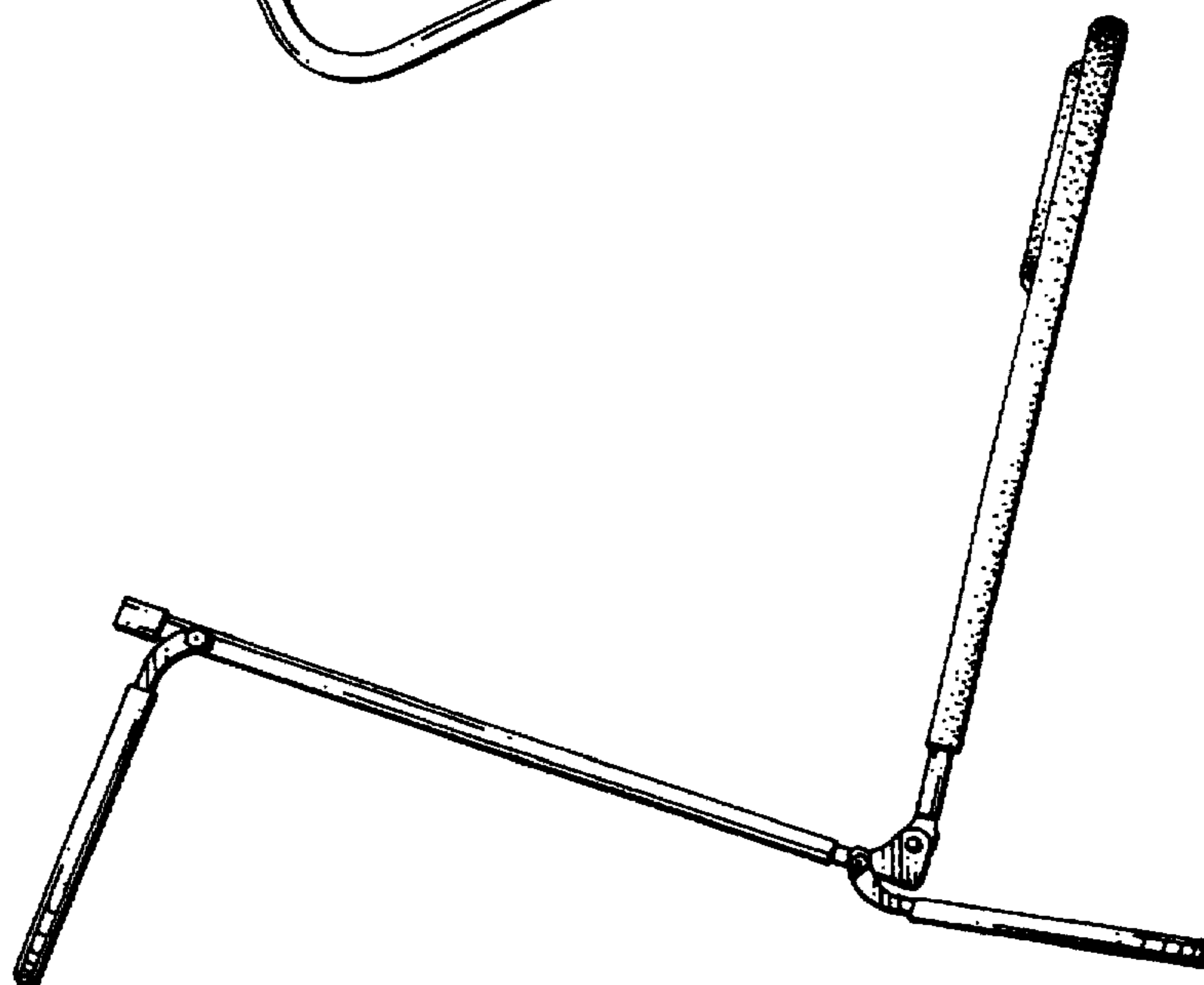
FIG. 6 is a left side view of the bed chair, the right side view being a mirror image thereof.

**1 Claim, 2 Drawing Sheets**

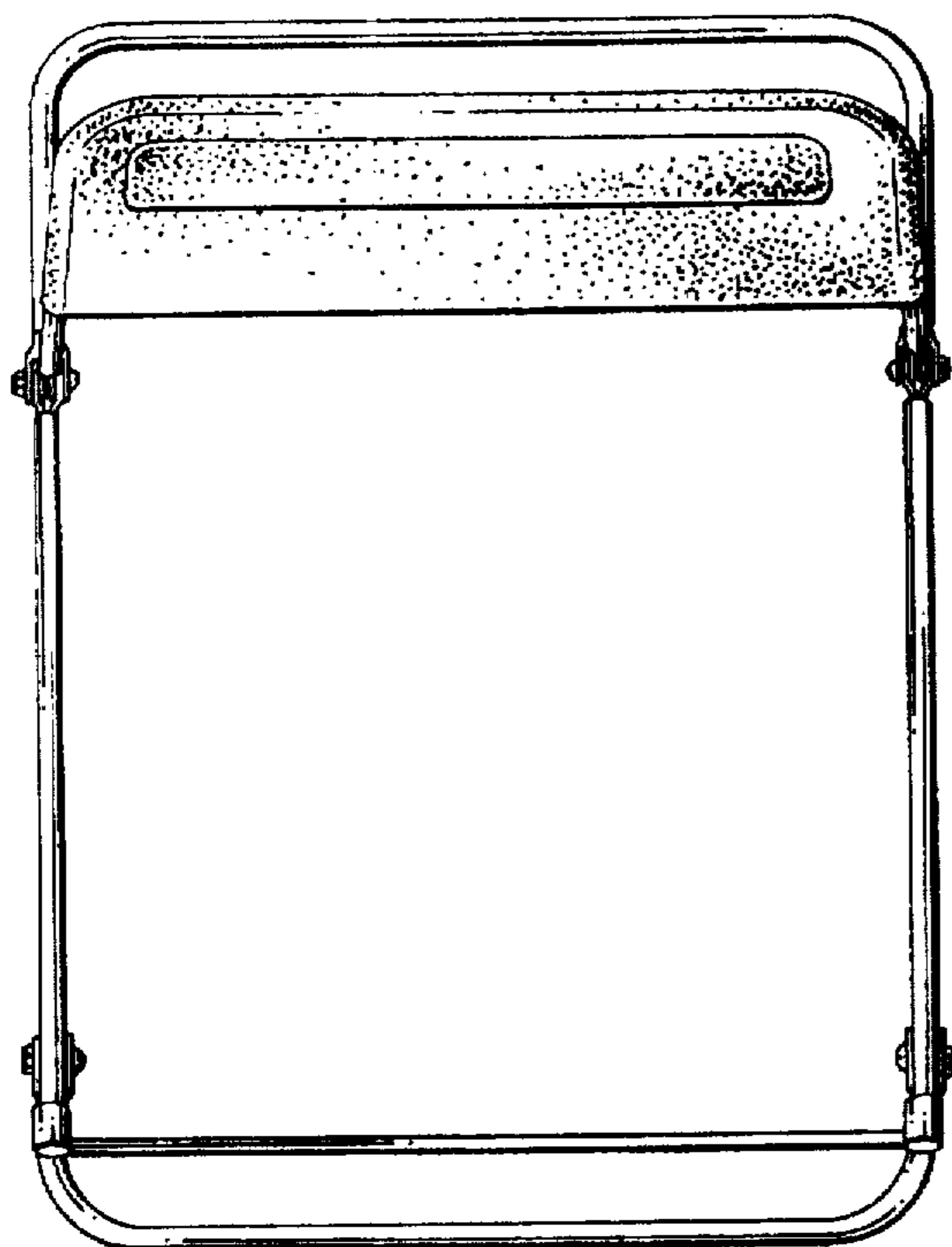




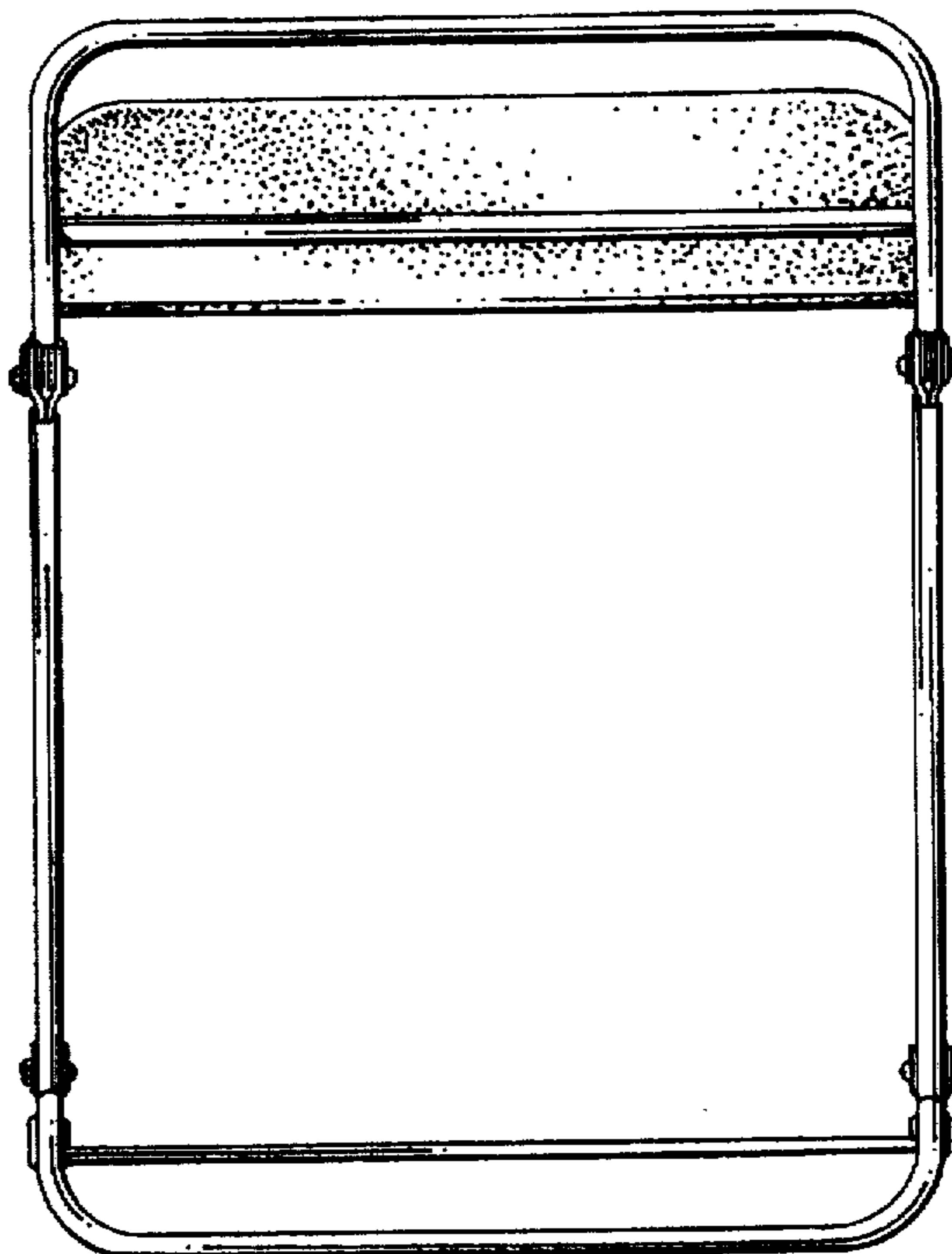
*FIG. 1*



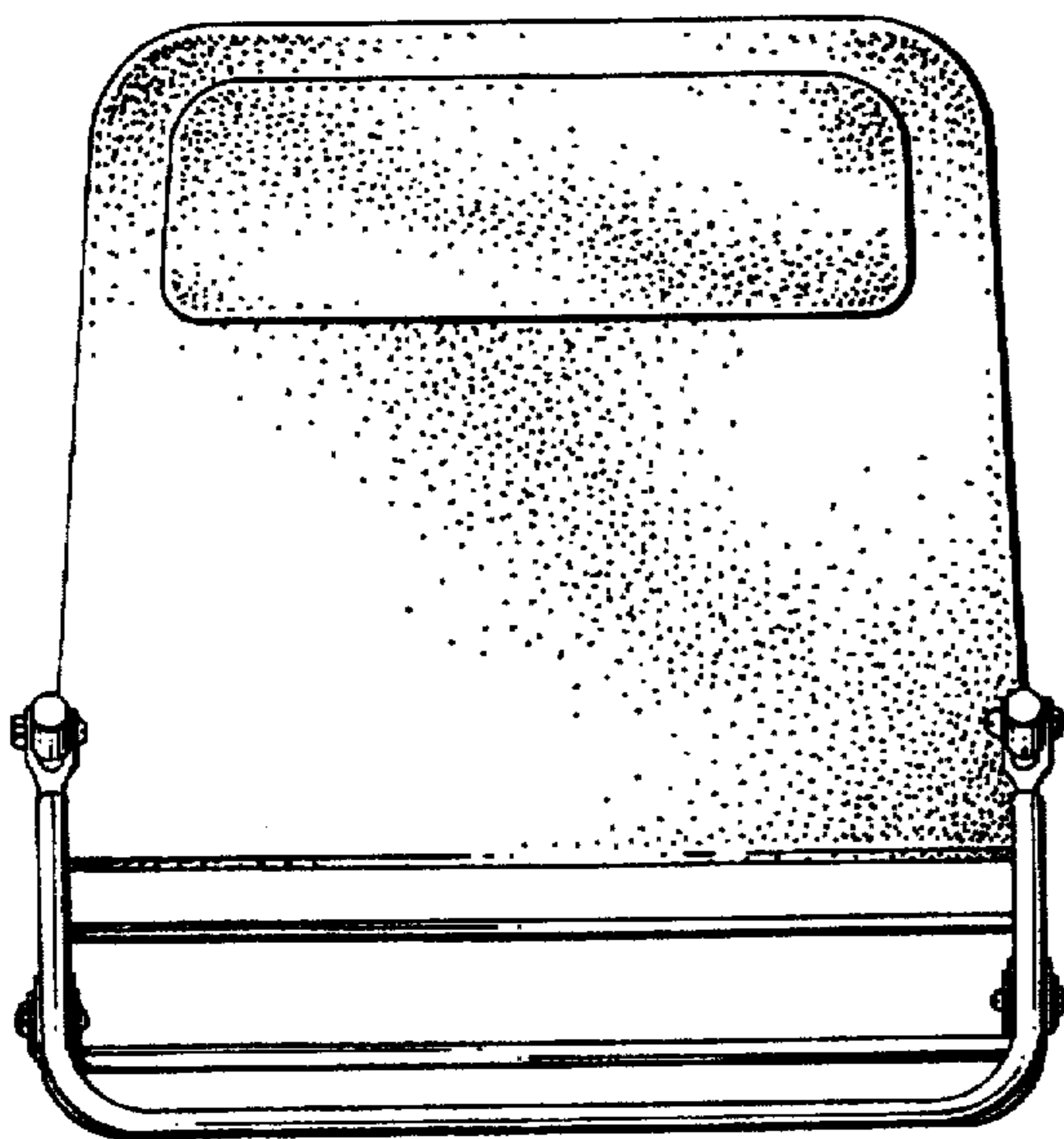
*FIG. 6*



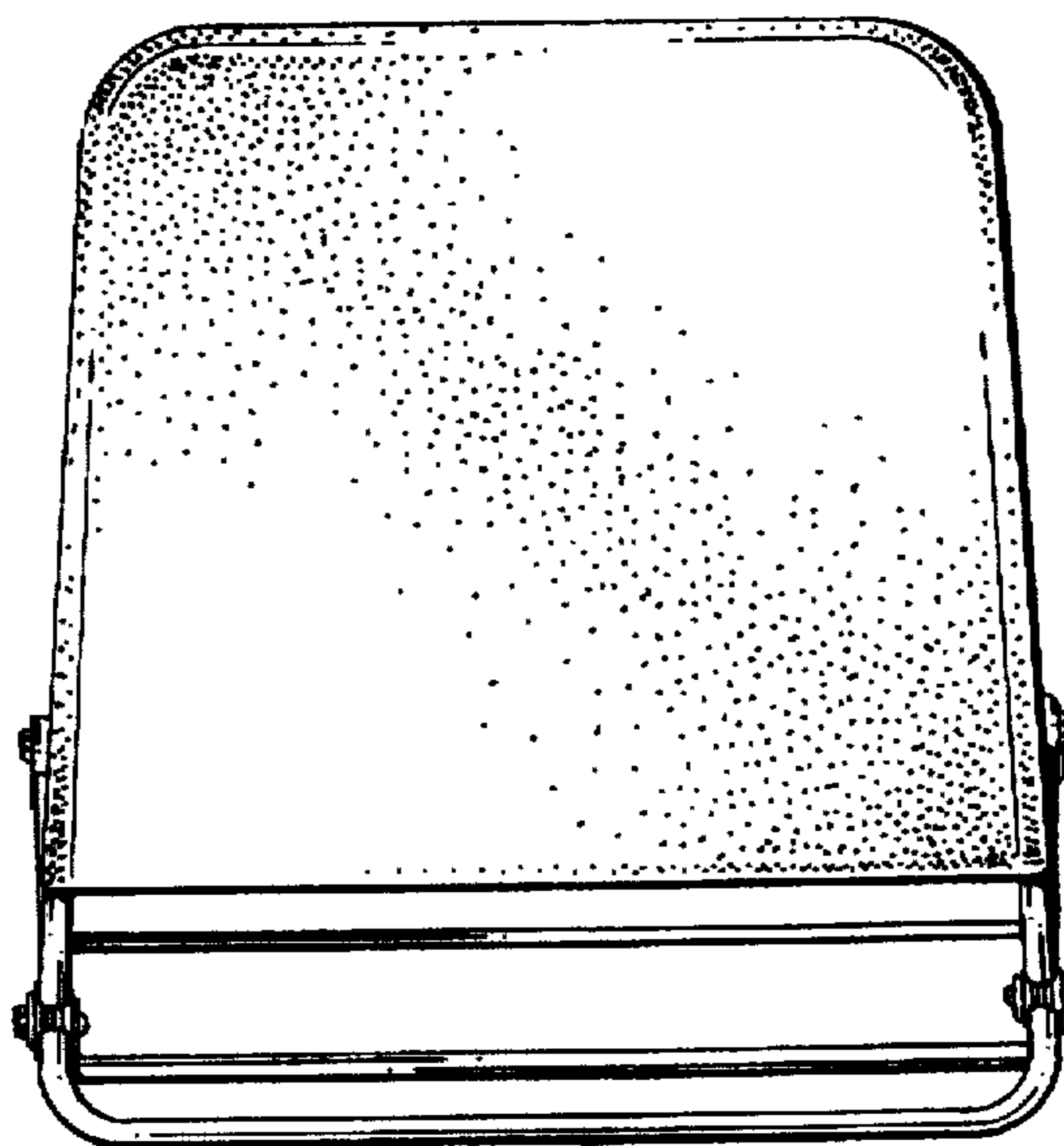
*FIG. 2*



*FIG. 3*



*FIG. 4*



*FIG. 5*