

US00D388962S

United States Patent [19]
Zaidman

[11] **Patent Number:** **Des. 388,962**
[45] **Date of Patent:** ****Jan. 13, 1998**

[54] **HUTCH MIRROR**

2,929,446 3/1960 Kuehnlein D25/52 X

[75] **Inventor:** **Paul Zaidman, Winnipeg, Canada**

OTHER PUBLICATIONS

[73] **Assignee:** **Palliser Furniture Ltd., Winnipeg, Canada**

Jordan Marsh, Feb. 1982, p. 9, #8G mirror at top.

Ethan Allen, c1992, p. 217, #11 mirror at bottom and right.

[**] **Term:** **14 Years**

Primary Examiner—Janice E. Seeger

Attorney, Agent, or Firm—Pollock, Vande Sande & Priddy

[21] **Appl. No.:** **54,265**

[22] **Filed:** **May 10, 1996**

[57] **CLAIM**

[51] **LOC (6) Cl.** **06-07**

[52] **U.S. Cl.** **D6/300**

[58] **Field of Search** D6/300, 301, 302,
D6/308-314, 568, 559, 444; 40/700, 711,
714-716, 720, 721-724, 725, 765-767,
790, 798; D25/52

The ornamental design for a hutch mirror, as shown and described.

DESCRIPTION

FIG. 1 is a left front top perspective view of a hutch mirror showing my new design; and,

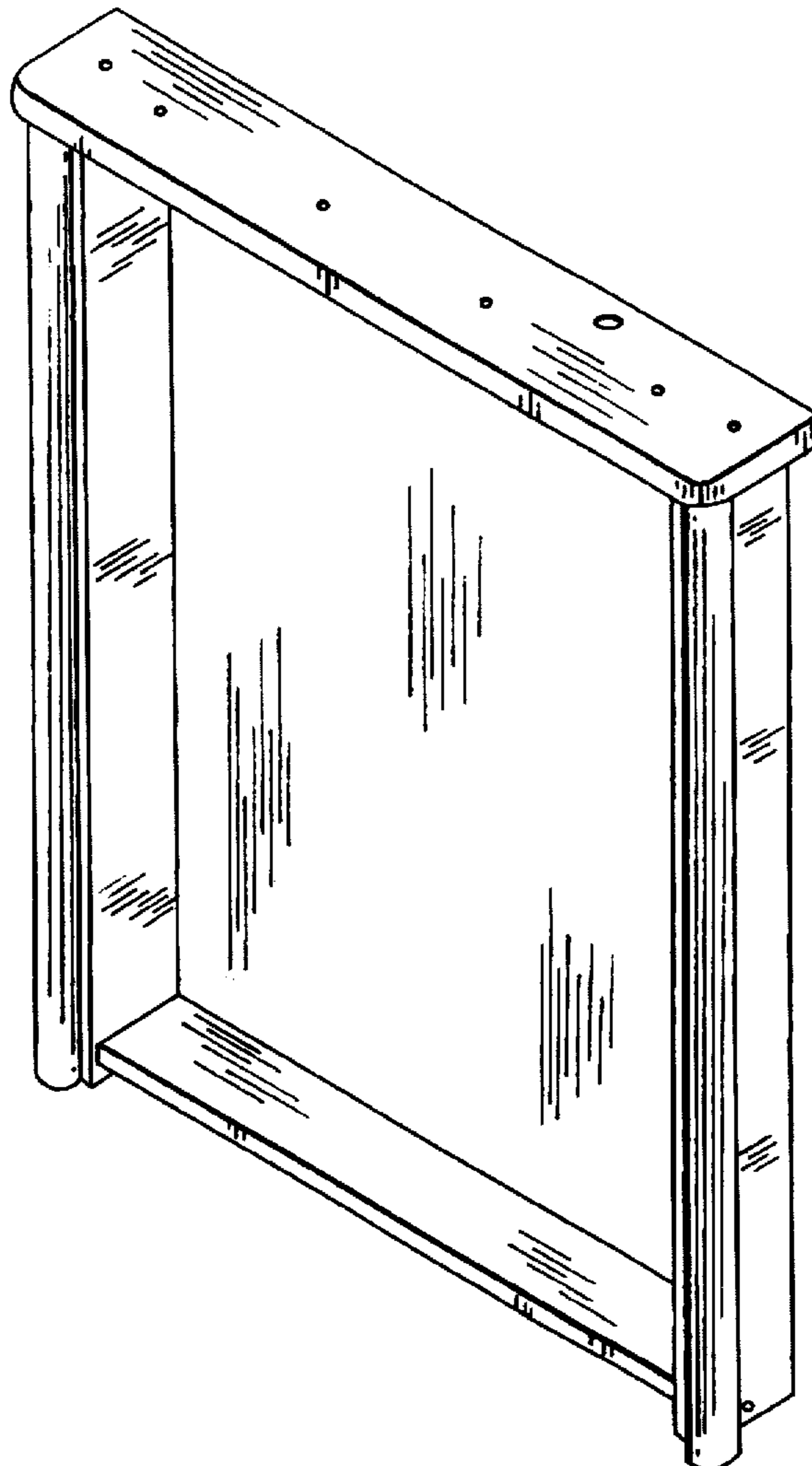
FIG. 2 is a right rear top view thereof.

[56] **References Cited**

U.S. PATENT DOCUMENTS

D. 371,005 6/1996 Brunner et al. D6/300

1 Claim, 1 Drawing Sheet



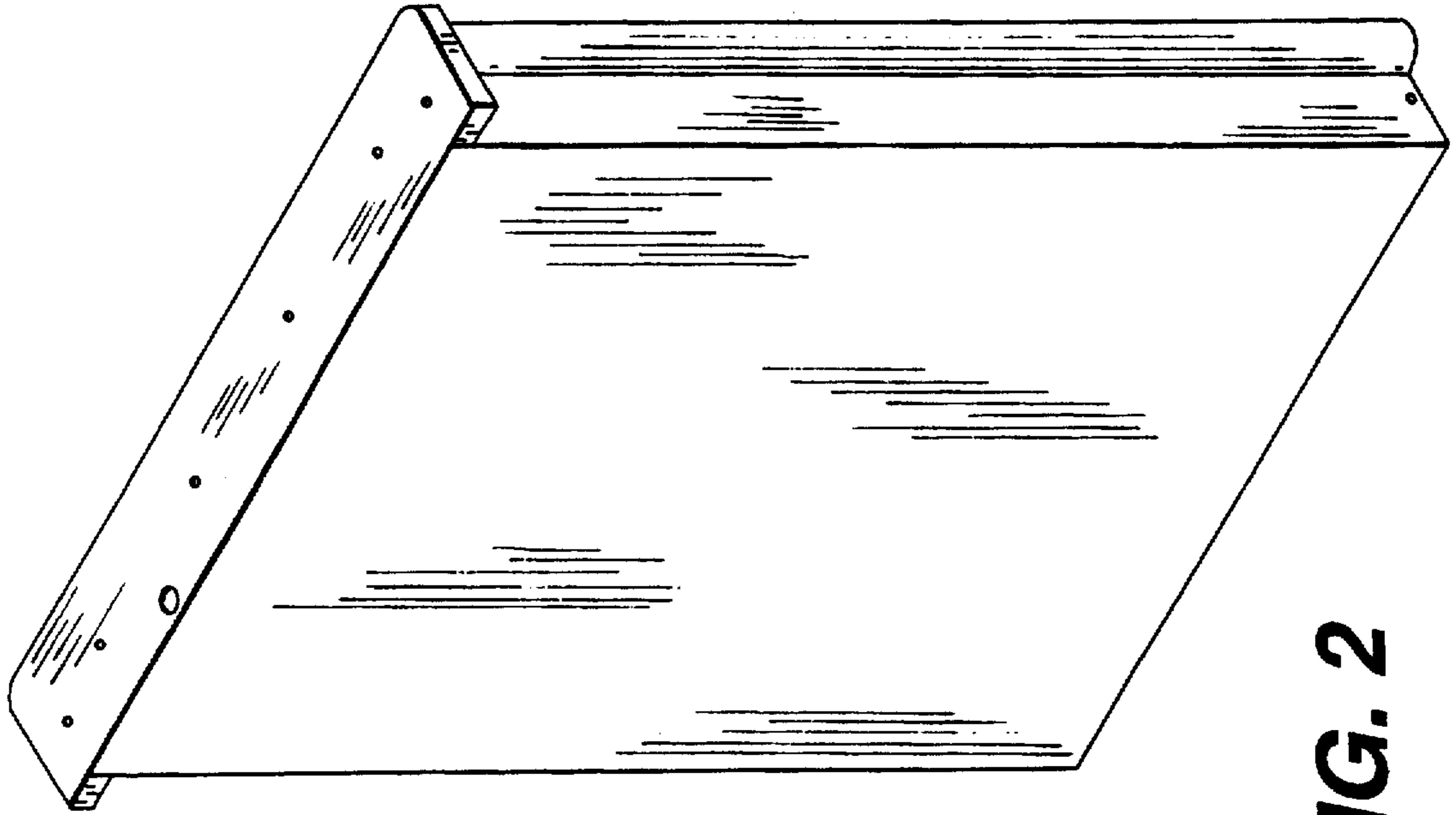


FIG. 2

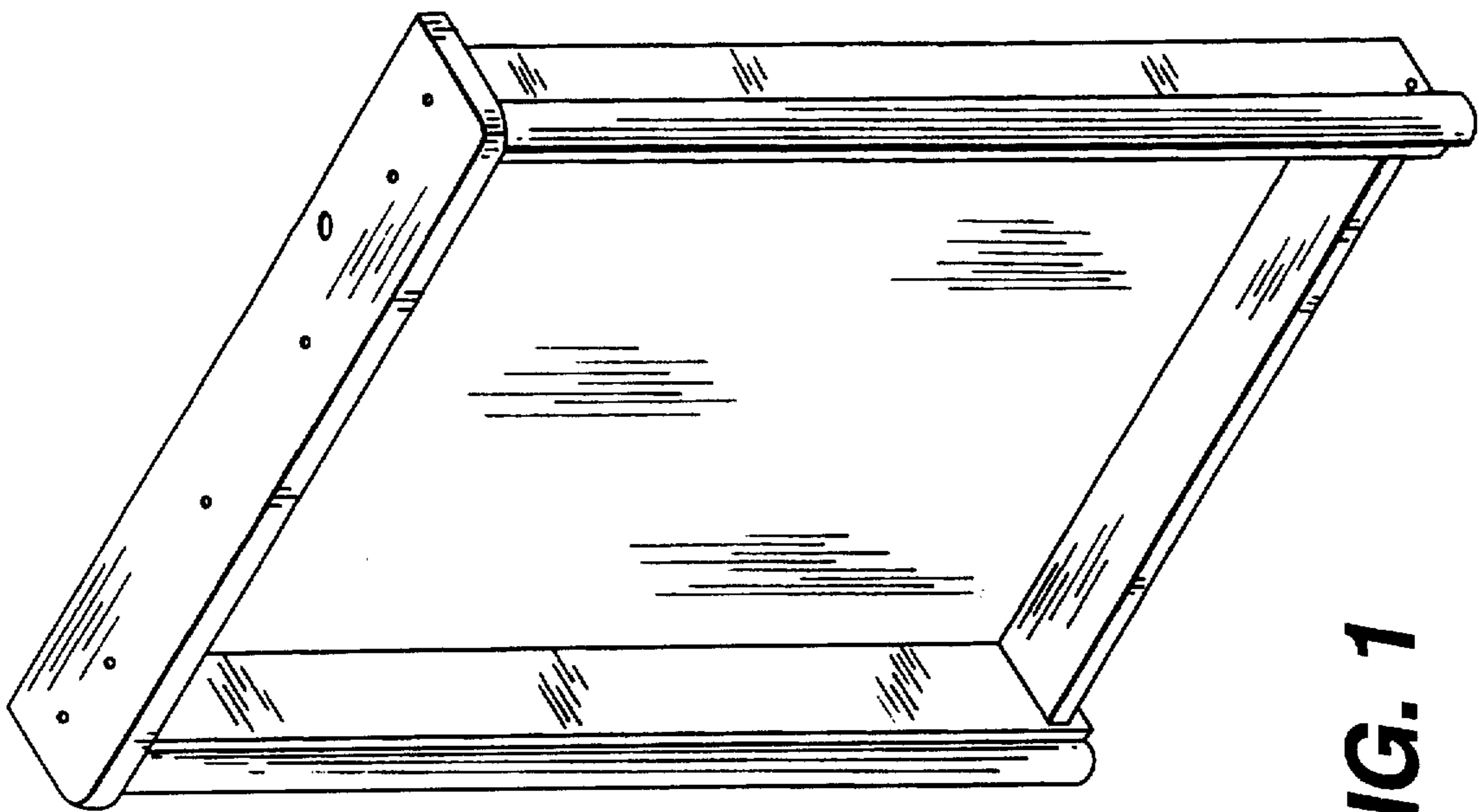


FIG. 1