



US00D388954S

**United States Patent** [19]  
**Nakayama**

[11] **Patent Number: Des. 388,954**  
[45] **Date of Patent: \*\*Jan. 13, 1998**

[54] **WAIST BAG BABY CARRIER**

5,195,666 3/1993 Yamaguchi et al. .... 224/159  
5,522,528 6/1996 Petricola ..... 224/160  
5,570,823 11/1996 Lindy ..... 224/160

[76] **Inventor: Kuniko Nakayama, 15 Banchi, Kuruwamachihigashi 2-chome, Ogakishi, Gifu, Japan**

*Primary Examiner*—Prabhakar G. Deshmukh  
*Attorney, Agent, or Firm*—Armstrong, Westerman, Hattori, McLeland & Naughton

[\*\*] **Term: 14 Years**

[57] **CLAIM**

[21] **Appl. No.: 48,422**

The ornamental design for a waist bag baby carrier, as shown and described.

[22] **Filed: Dec. 28, 1995**

[51] **LOC (6) Cl. .... 03-99**

[52] **U.S. Cl. .... D3/213**

[58] **Field of Search .... D3/213, 214, 216, D3/217, 327; 224/159, 160, 161, 158**

**DESCRIPTION**

FIG. 1 is a perspective view from the left front upper side of a waist bag baby carrier showing my new design;

FIG. 2 is a front view, thereof;

FIG. 3 is a rear view thereof;

FIG. 4 is a top view thereof;

FIG. 5 is a bottom view thereof;

FIG. 6 is a right side view thereof; and,

FIG. 7 is a left side view thereof.

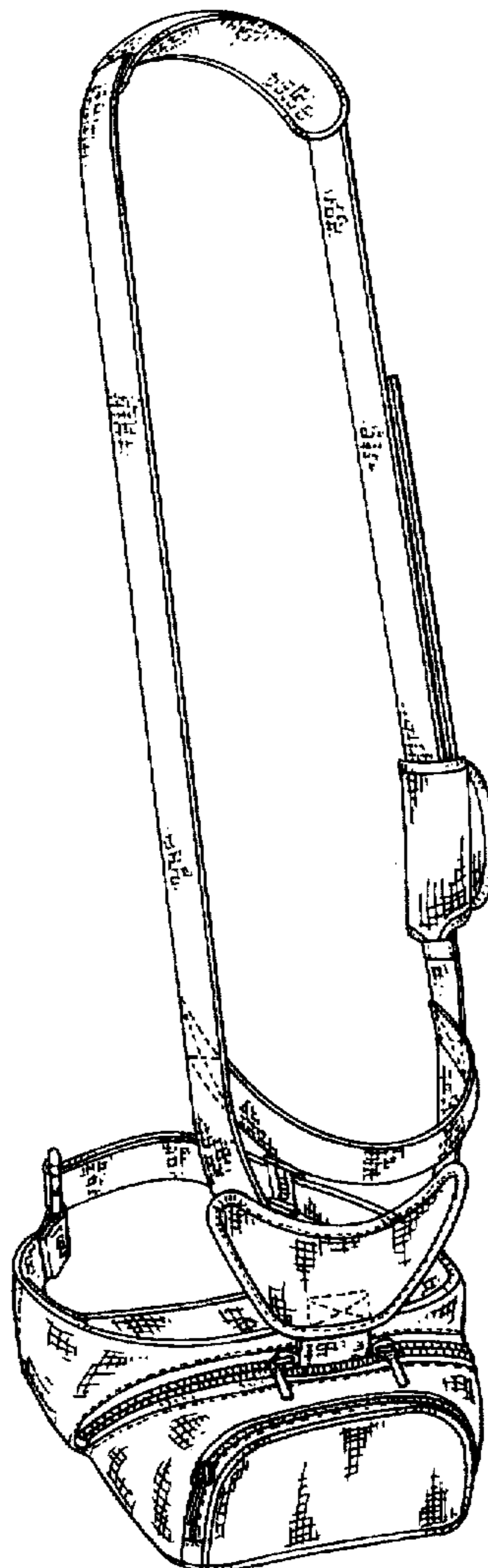
The broken lines represent stitch lines.

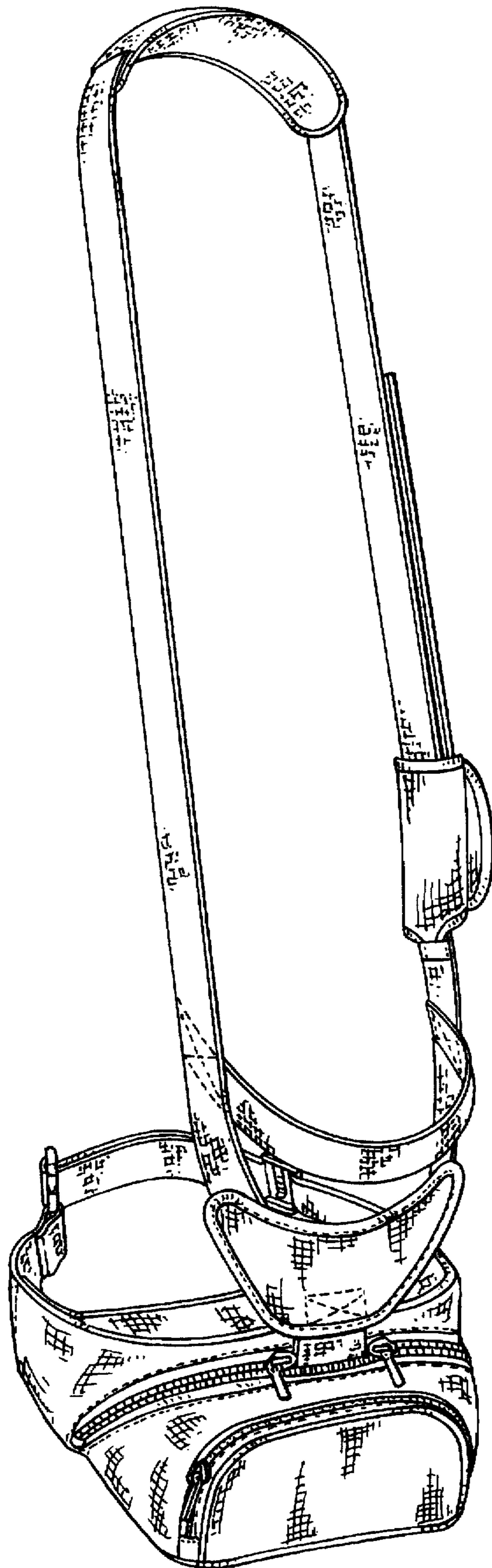
[56] **References Cited**

**U.S. PATENT DOCUMENTS**

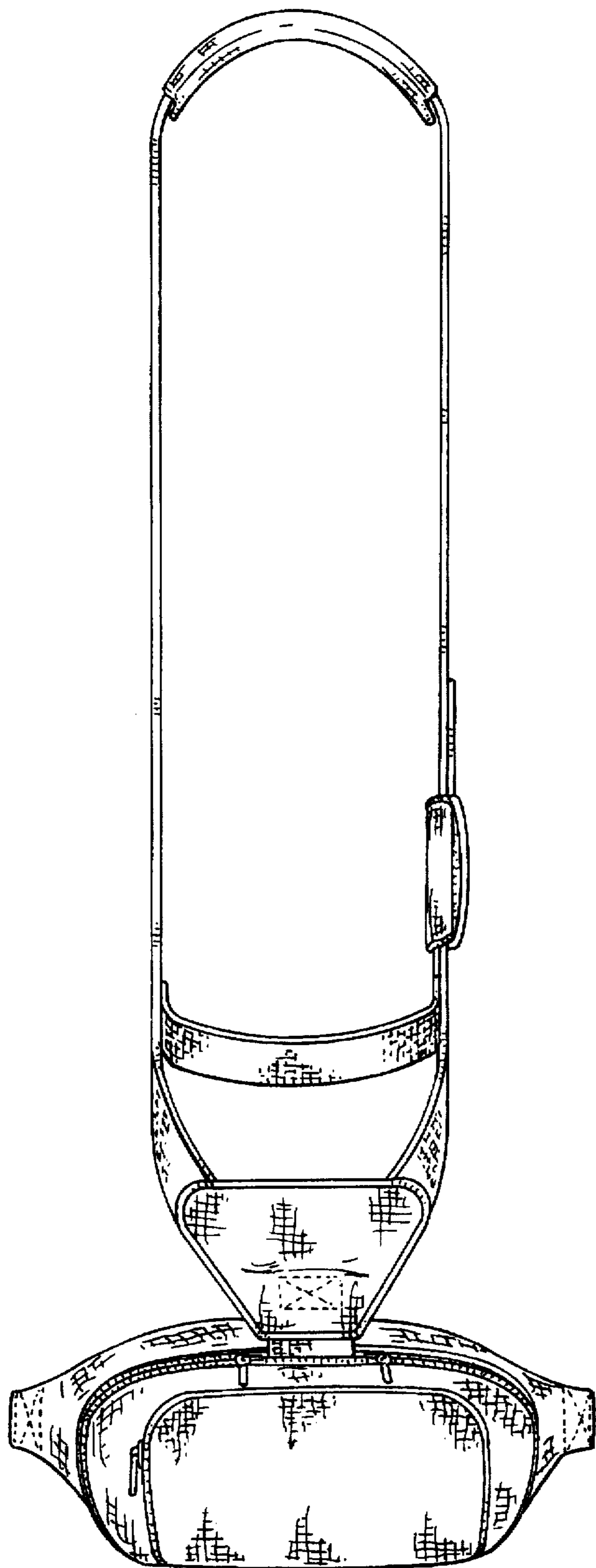
- D. 255,180 6/1980 Raz ..... D2/21 X
- D. 322,695 12/1991 Ladue ..... D3/214 X
- D. 334,659 4/1993 Yamaguchi et al. .... D3/214
- D. 375,184 11/1996 Hickli et al. .... D3/214 X
- D. 378,872 4/1997 Shimura et al. .... D3/214

**1 Claim, 7 Drawing Sheets**

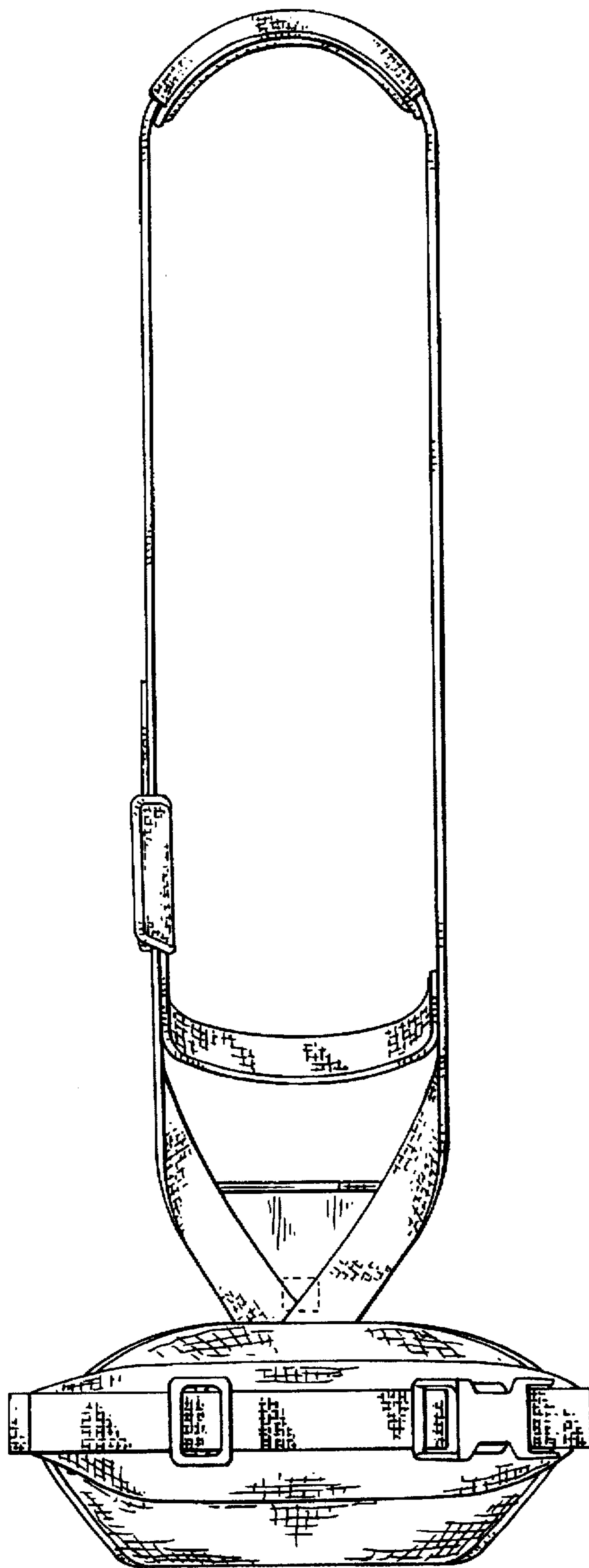




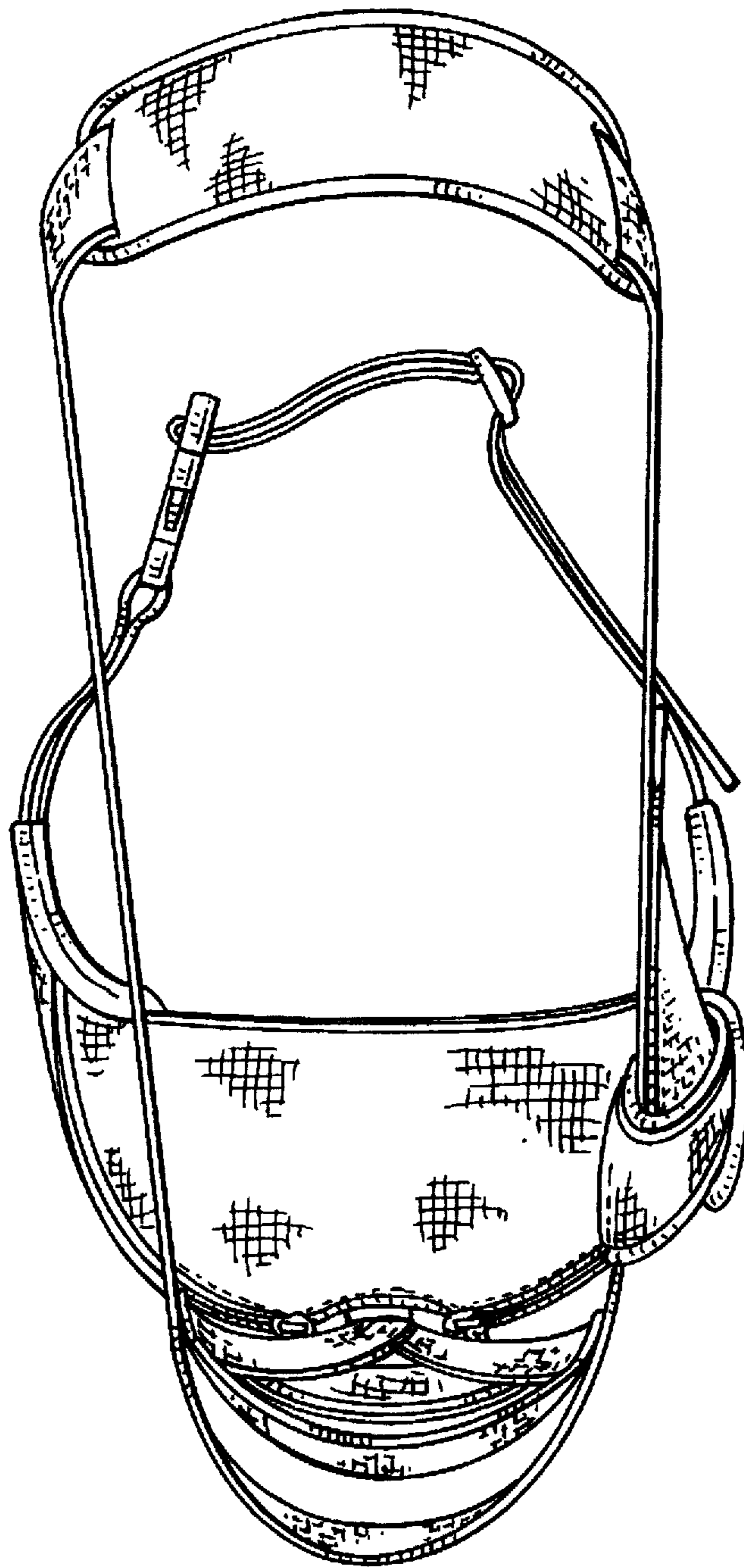
*Fig. 1*



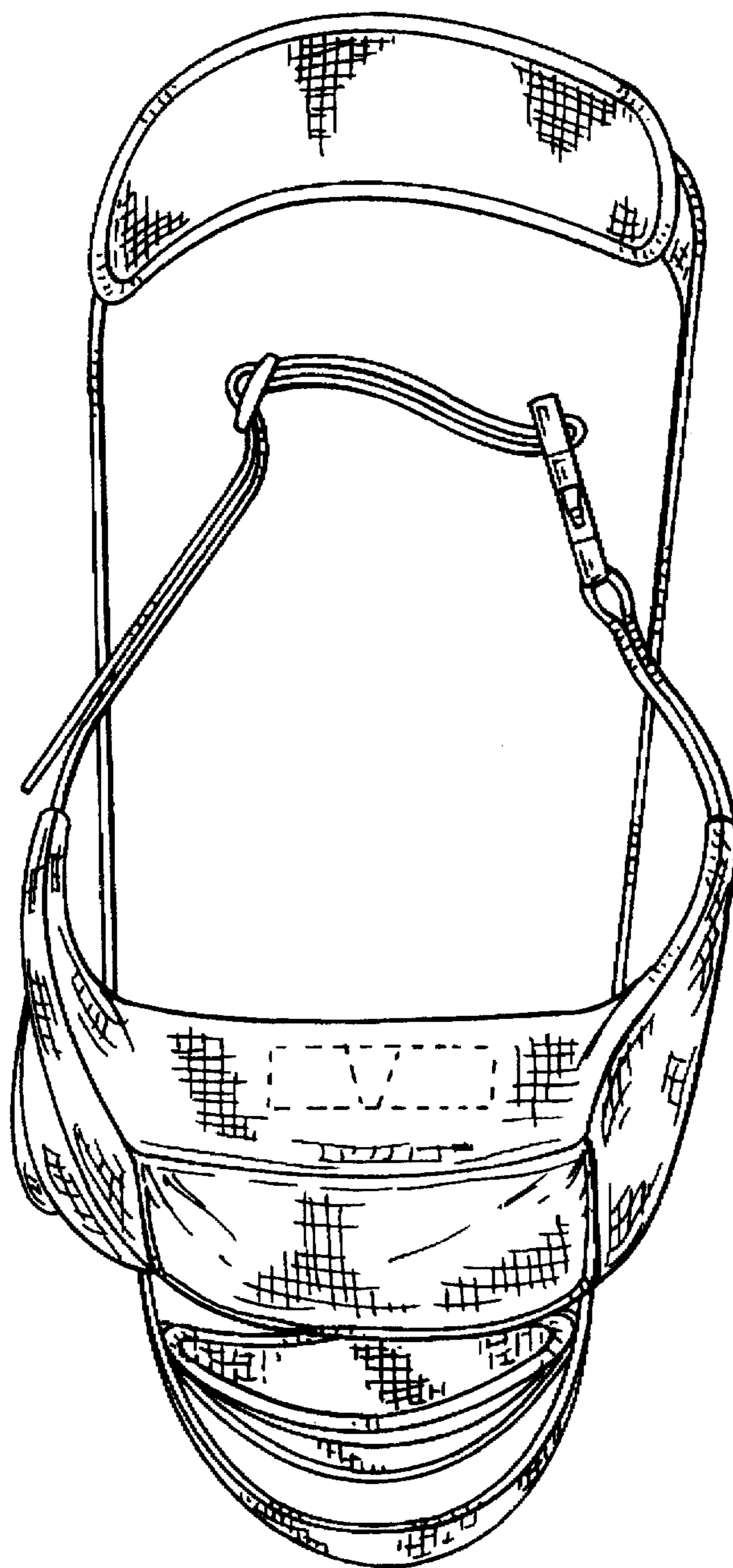
*Fig. 2*



*Fig. 3*



*Fig. 4*



*Fig. 5*

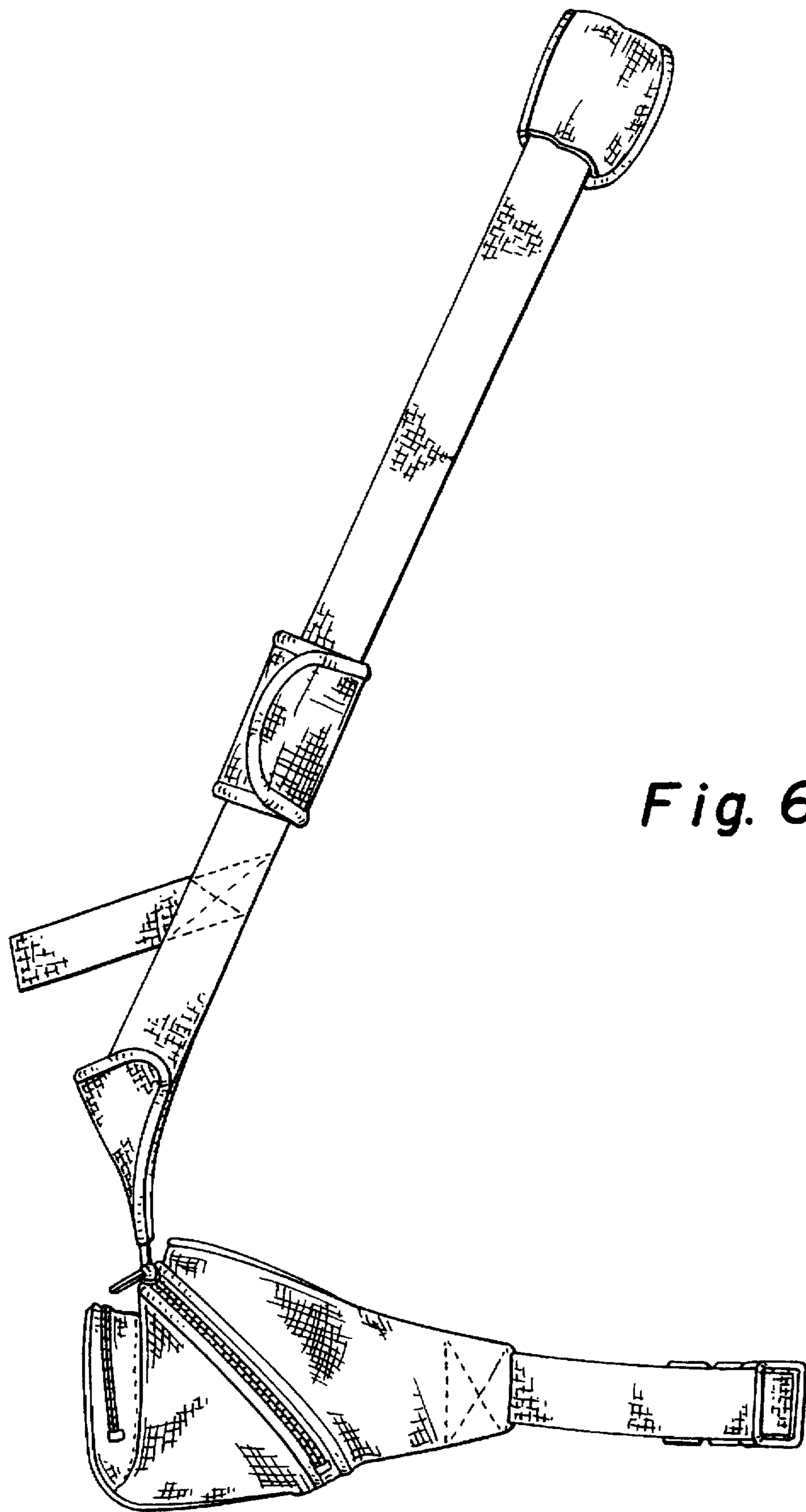
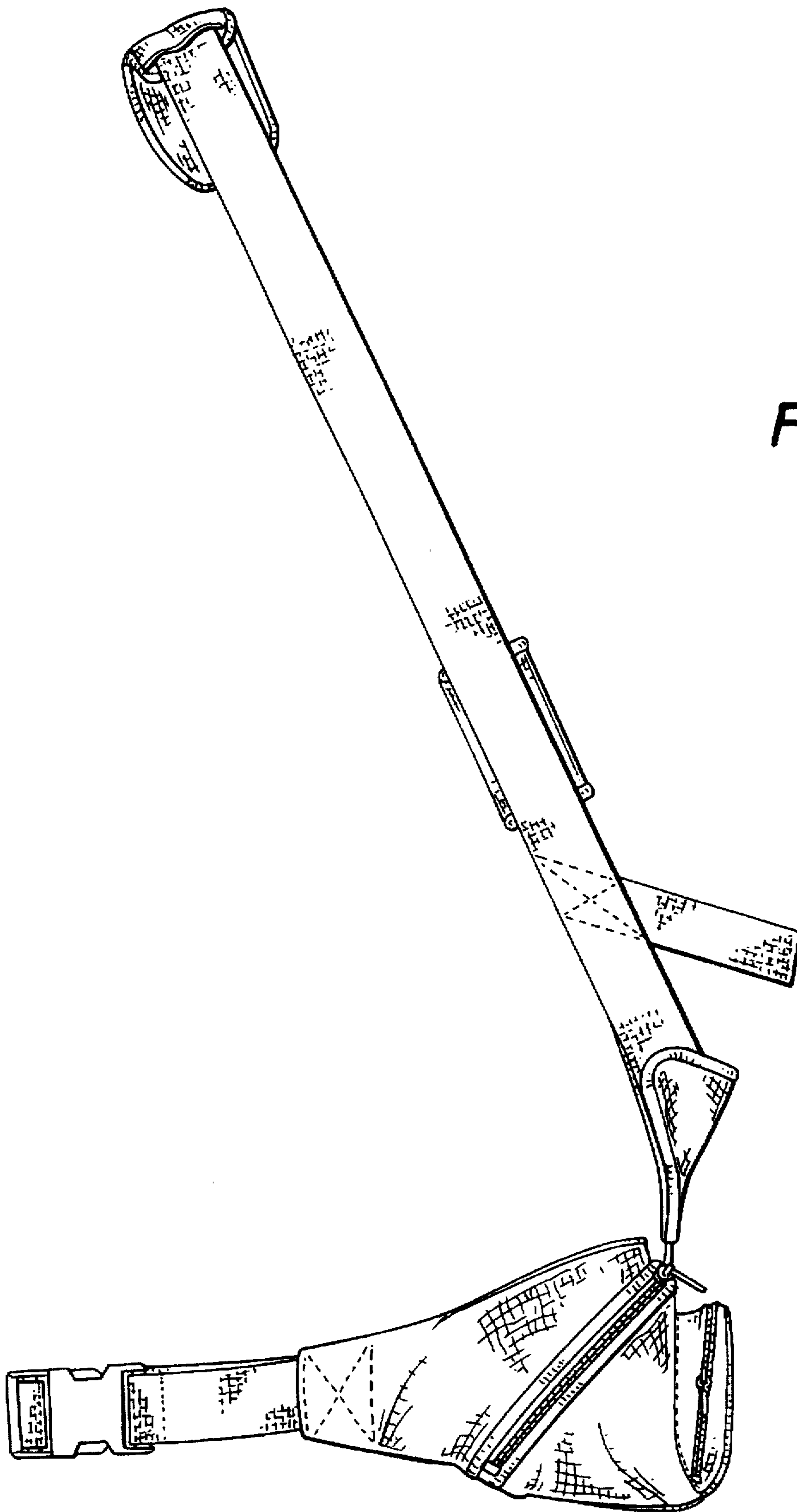


Fig. 6



*Fig. 7*