



US00D388949S

**United States Patent** [19]  
**Savoie**

[11] **Patent Number: Des. 388,949**  
[45] **Date of Patent: \*\*Jan. 13, 1998**

[54] **QUICK-RELEASE SPIKE FOR FOOTWEAR**

[75] **Inventor: Armand J. Savoie, Gardner, Mass.**

[73] **Assignee: MacNeill Engineering Company, Inc.,  
Marlborough, Mass.**

[\*\*] **Term: 14 Years**

[21] **Appl. No.: 64,654**

[22] **Filed: Jan. 8, 1997**

**Related U.S. Application Data**

[63] **Continuation-in-part of Ser. No. 774,585, Dec. 23, 1996.**

[51] **LOC (6) Cl. .... 02-02**

[52] **U.S. Cl. .... D2/962**

[58] **Field of Search ..... D2/962; 36/127,  
36/128, 129, 134, 59, 67 C, 67 D, 67 R**

[56] **References Cited**

**U.S. PATENT DOCUMENTS**

D. 320,882 10/1991 Collins ..... D2/962

D. 374,762	10/1996	Grant	.....	D2/962
3,195,246	7/1965	Veda	.....	D2/962 X
4,706,394	11/1987	Regula	.....	36/134 X
5,036,606	8/1991	Erich et al.	.....	36/134
5,386,651	2/1995	Okamoto	.....	36/134
5,410,823	5/1995	Iyoob	.....	36/127

*Primary Examiner*—Doris V. Coles  
*Attorney, Agent, or Firm*—Bromberg & Sunstein LLP

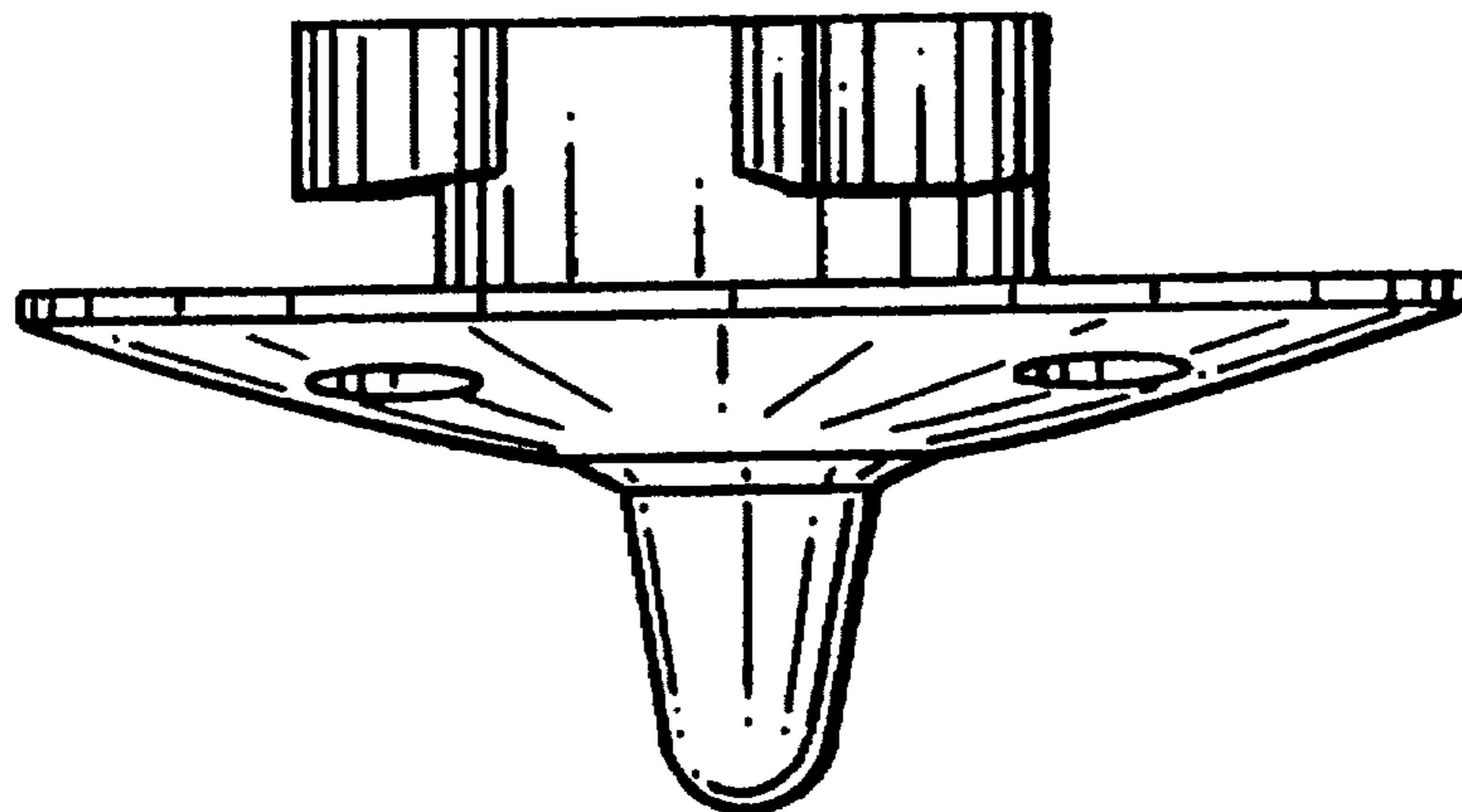
[57] **CLAIM**

The ornamental design for a quick release spike for footwear, as shown and described.

**DESCRIPTION**

FIG. 1 is a perspective view of a quick release spike for footwear, showing my new design;  
FIG. 2 is a left side elevational view thereof;  
FIG. 3 is a right side elevational view thereof;  
FIG. 4 is a front elevational view thereof;  
FIG. 5 is a rear elevational view thereof;  
FIG. 6 is a top plan view thereof; and,  
FIG. 7 is a bottom plan view thereof.

**1 Claim, 2 Drawing Sheets**



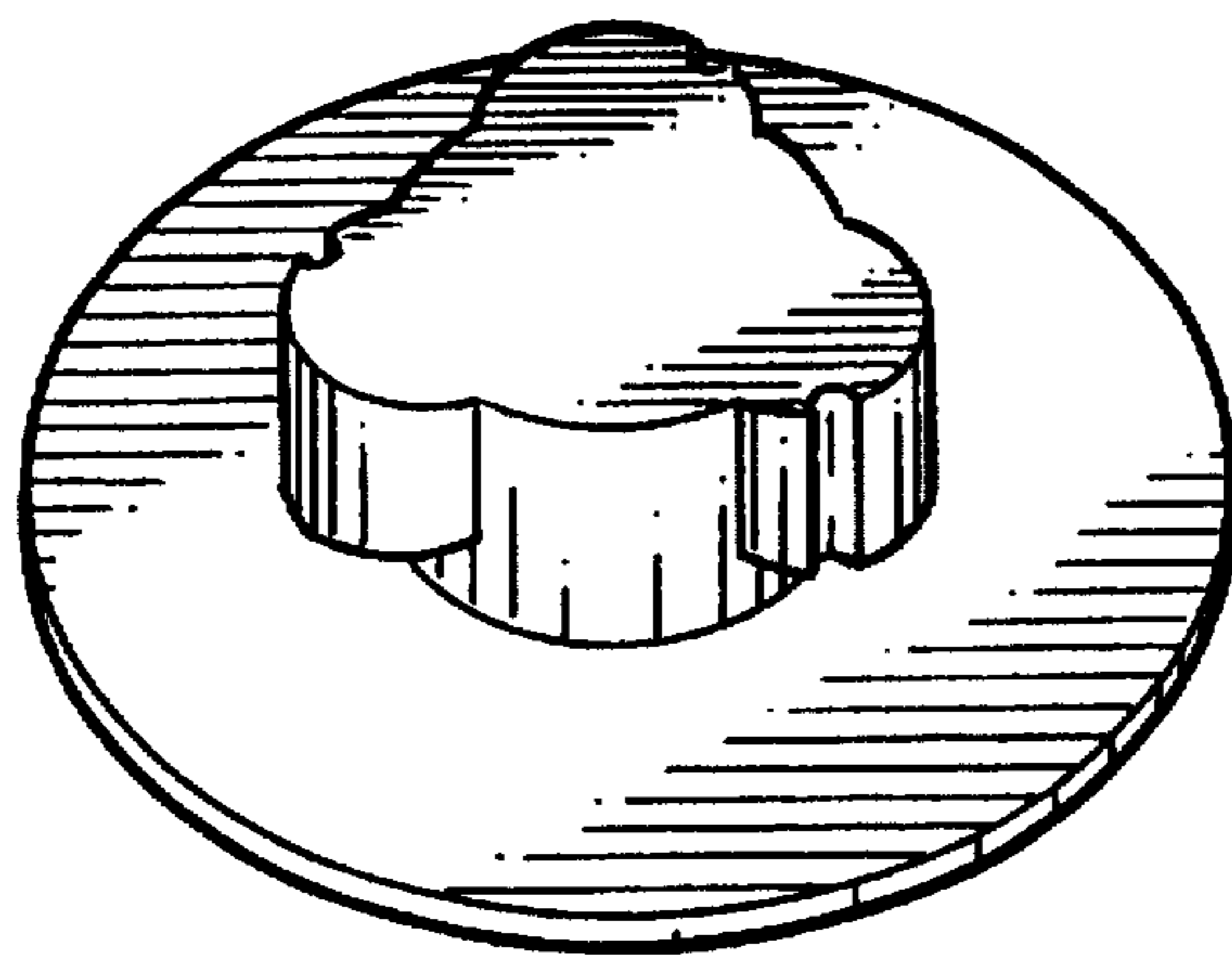


FIG. 1

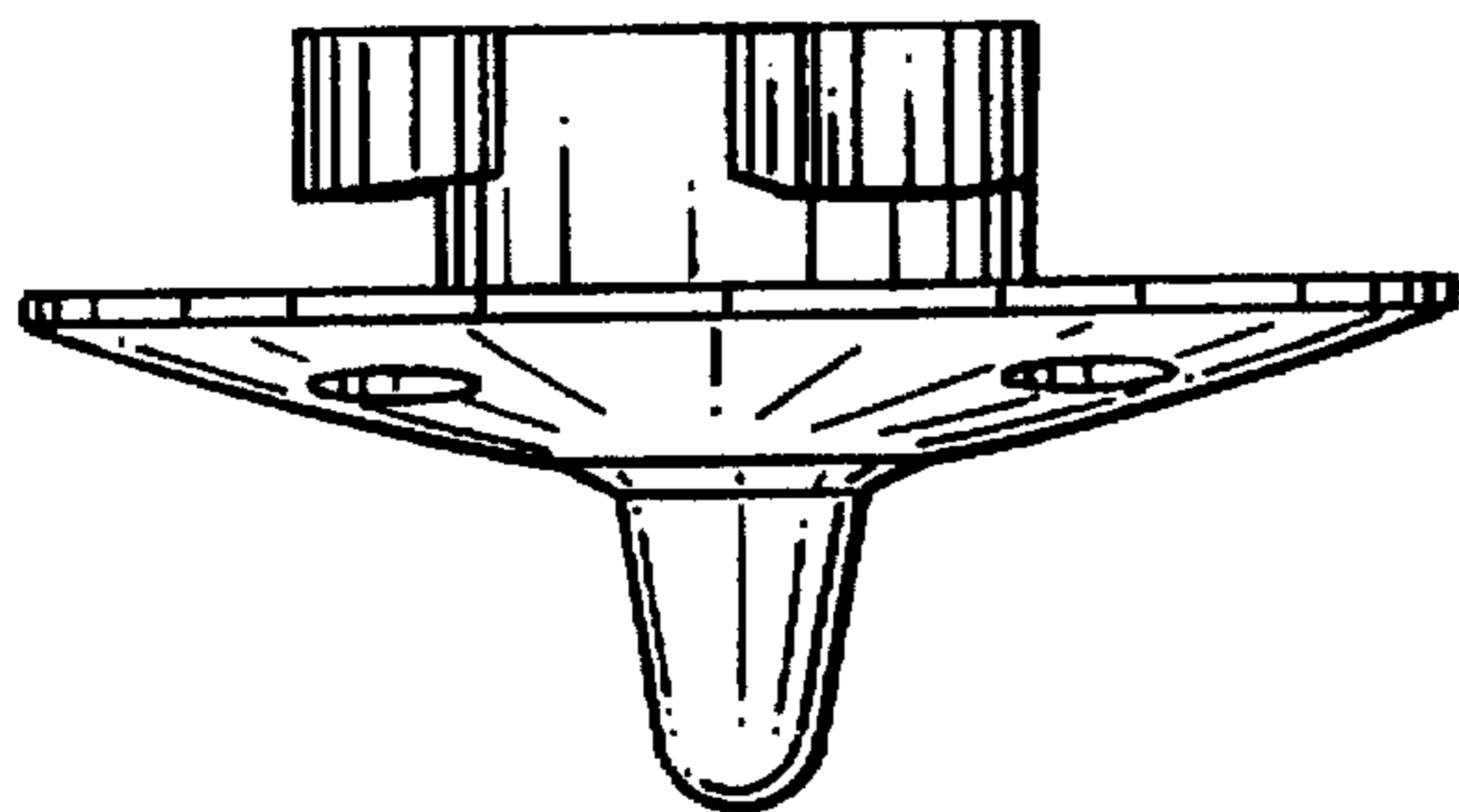


FIG. 2

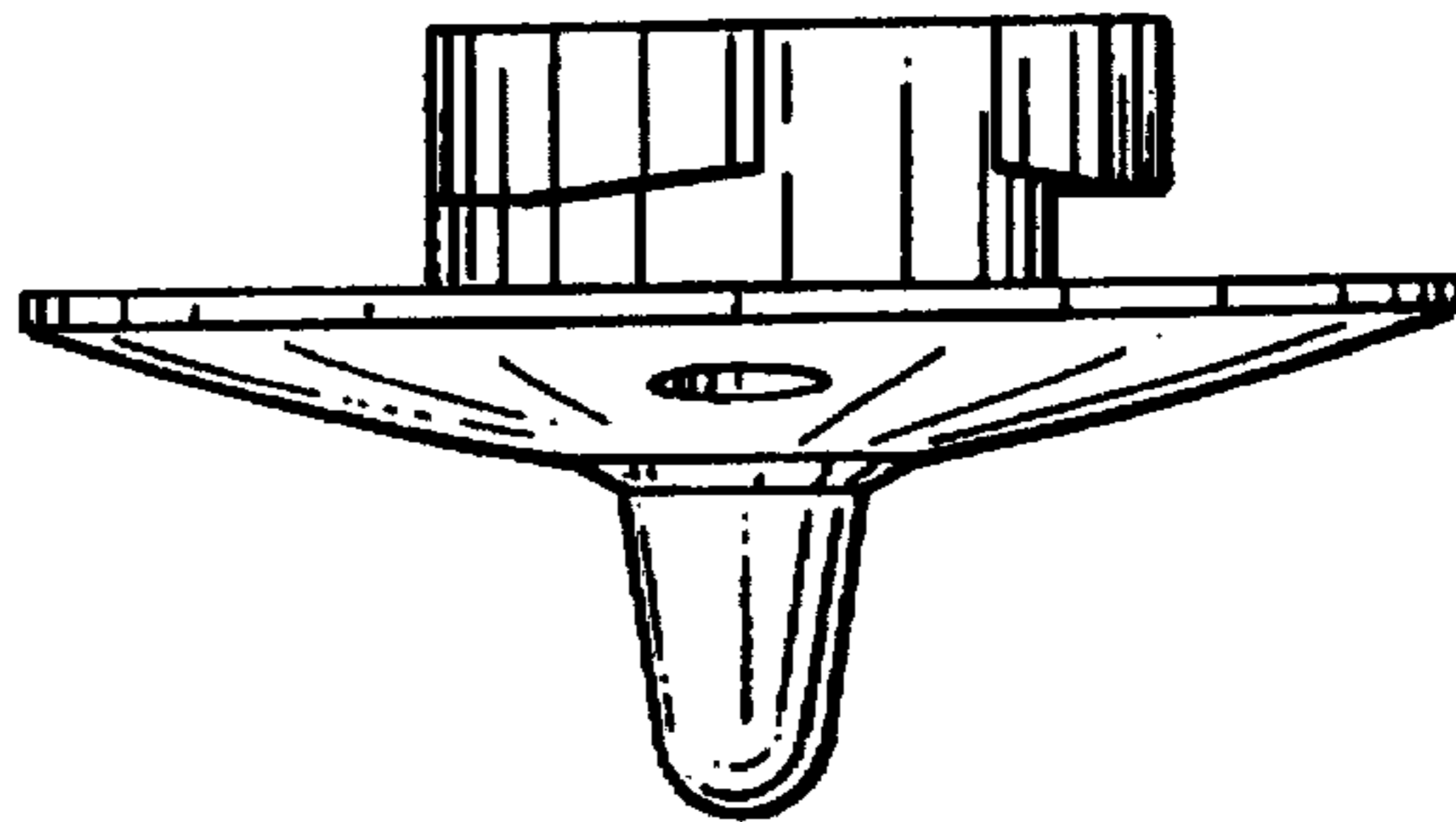


FIG. 3

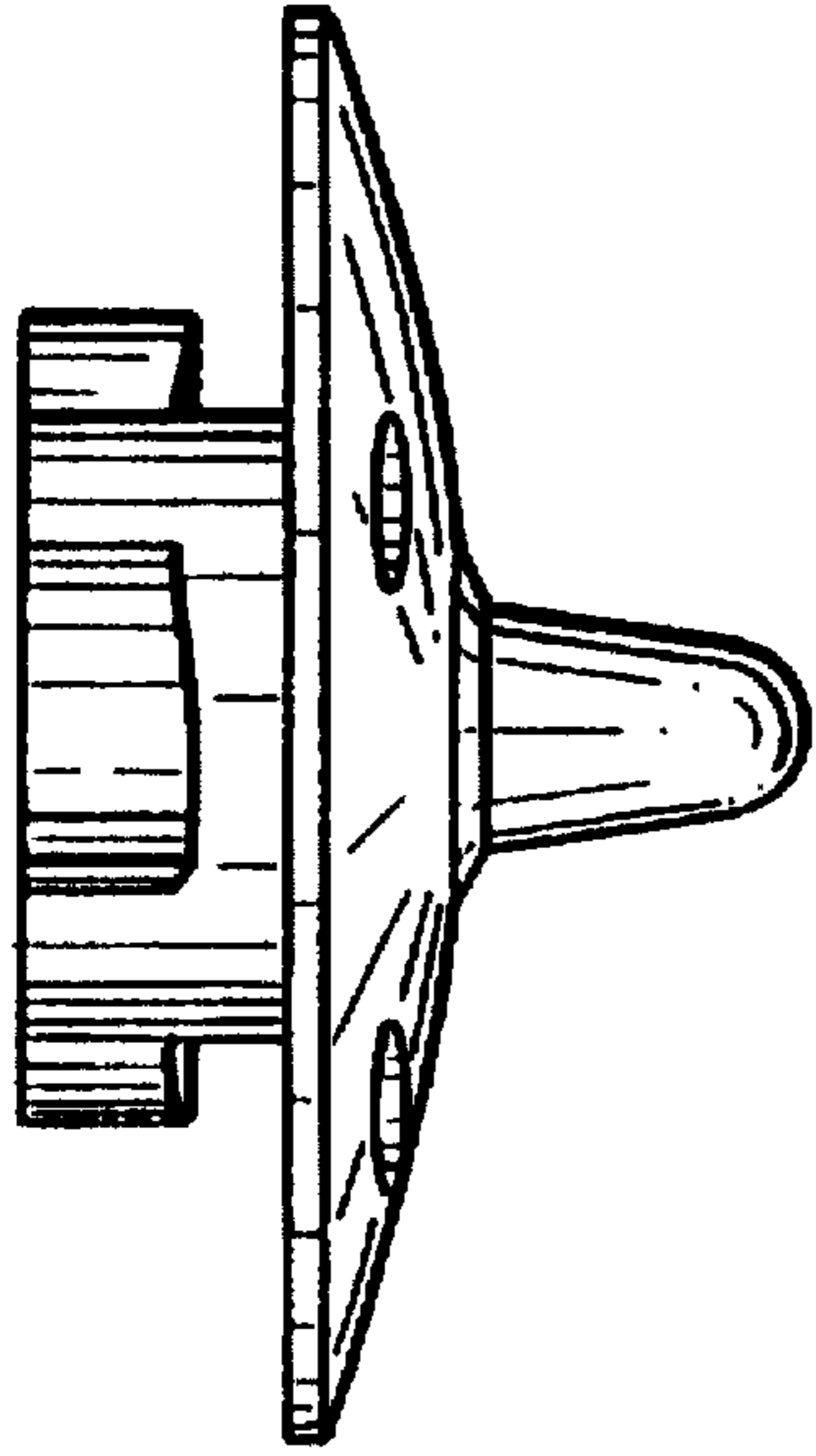


FIG. 5

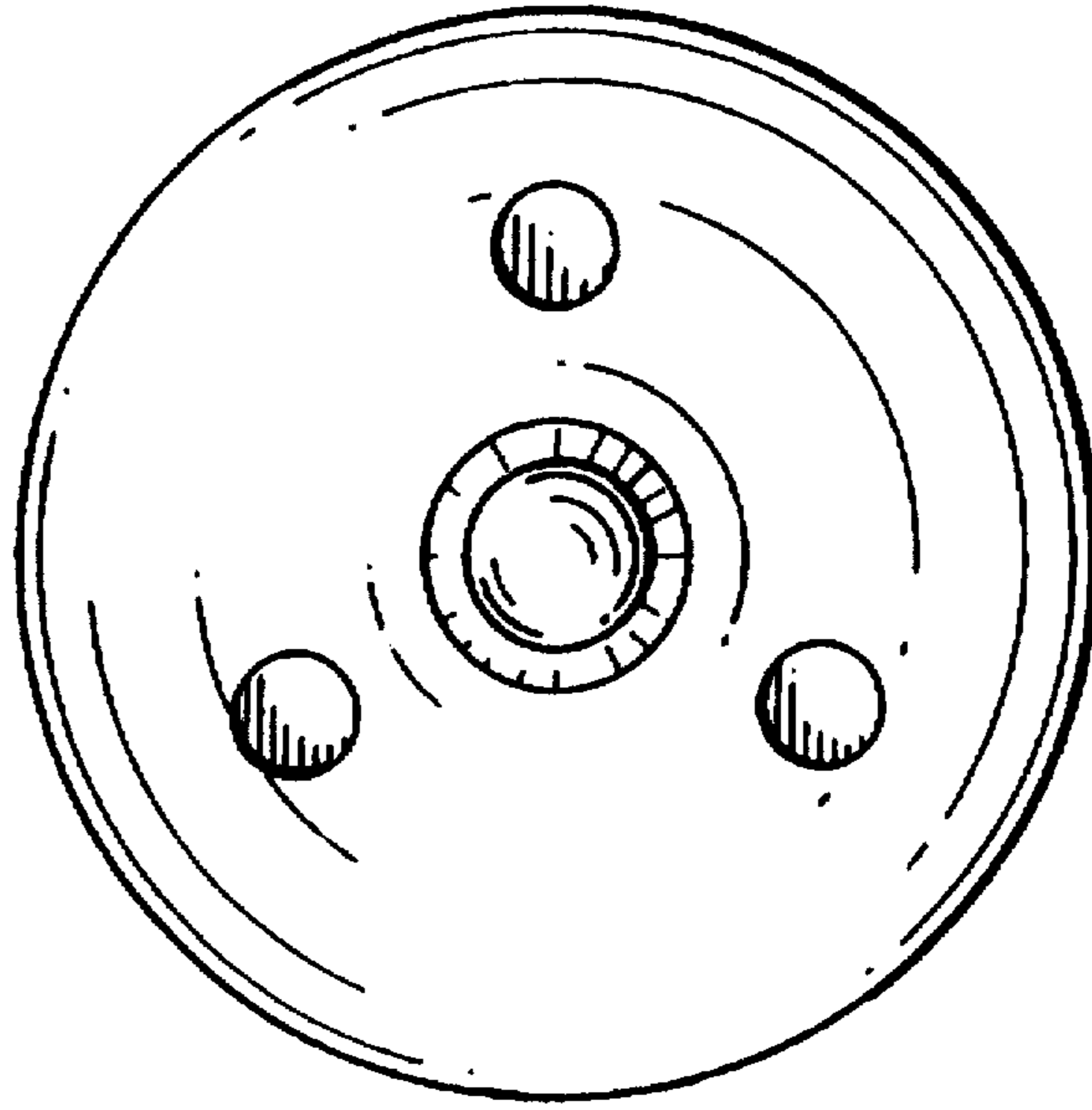


FIG. 7

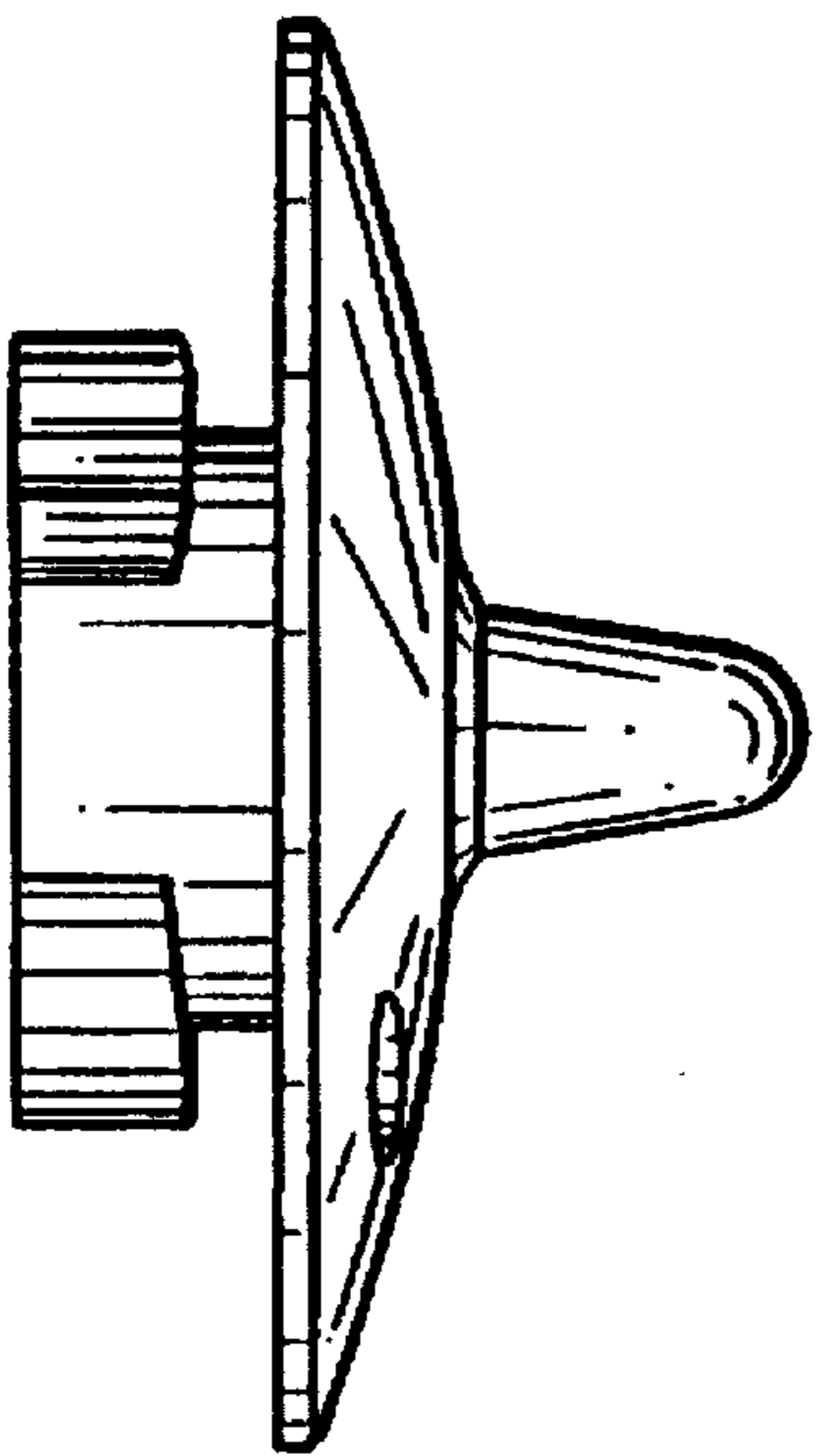


FIG. 4

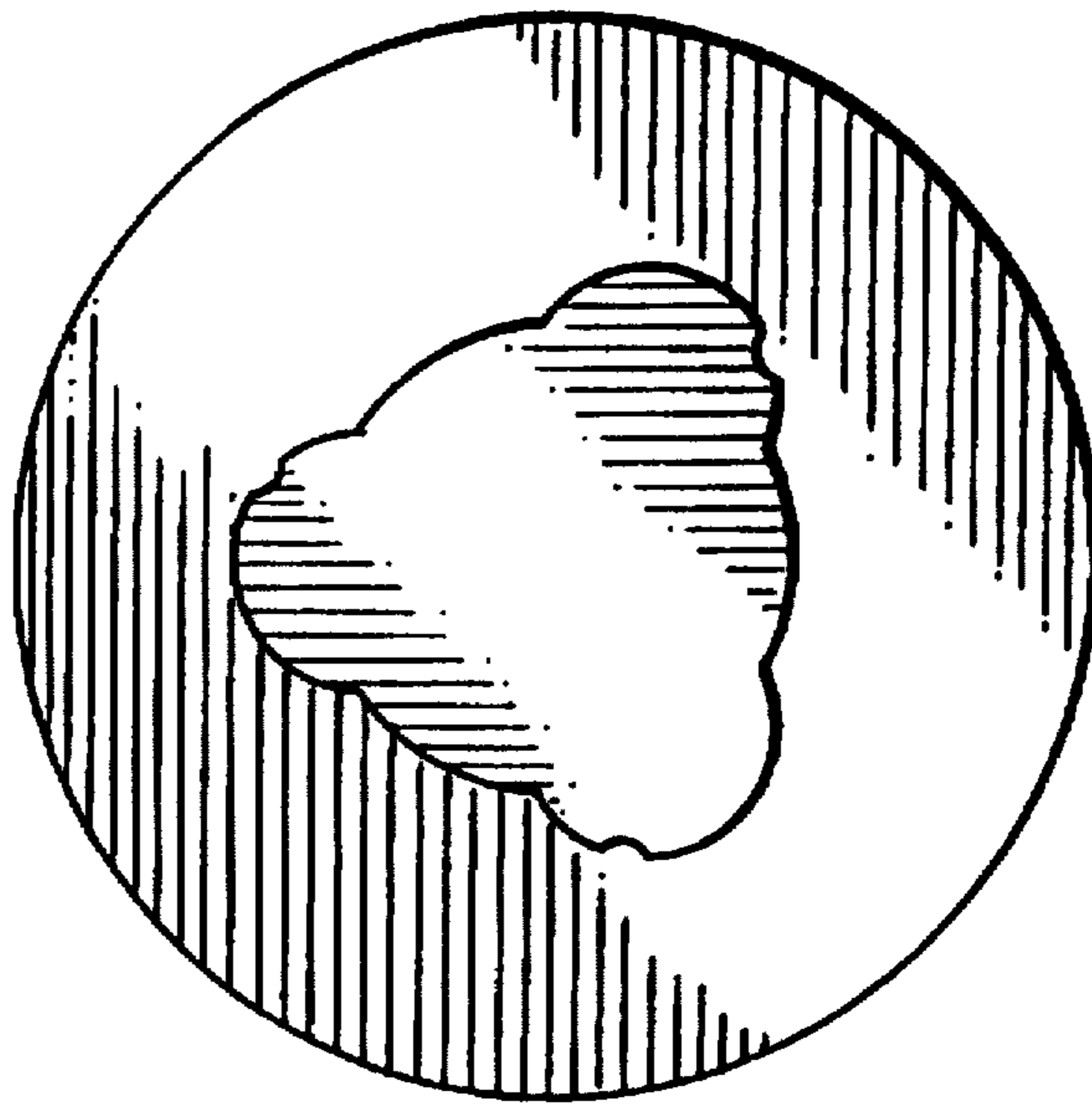


FIG. 6