



US00D388943S

United States Patent [19]
Mangee

[11] **Patent Number:** **Des. 388,943**
[45] **Date of Patent:** ****Jan. 13, 1998**

[54] **SOLE PATTERN FOR A MARCHING SHOE**

[75] **Inventor:** **Timothy J. Mangee**, Levittown, Pa.

[73] **Assignee:** **Man-How, Inc.**, Trenton, N.J.

[**] **Term:** **14 Years**

[21] **Appl. No.:** **52,653**

[22] **Filed:** **Apr. 2, 1996**

[51] **LOC (6) Cl.** **02-04**

[52] **U.S. Cl.** **D2/952; D2/960**

[58] **Field of Search** **D2/897, 902, 906, D2/908, 946-960, 962, 964; 36/101, 103, 104, 106, 113-115, 124, 126, 127-130, 3 B, 12-15, 22 R, 25 R, 32 R, 32 A, 172**

[56] **References Cited**

U.S. PATENT DOCUMENTS

D. 253,137 10/1979 Foldes D2/908

D. 253,140 10/1979 Pasquier D2/952
D. 336,359 6/1993 Peterson D2/952
D. 338,995 9/1993 Snell D2/902
D. 366,135 1/1996 Henderson, Jr. et al. D2/902

Primary Examiner—Celia Murphy
Attorney, Agent, or Firm—Sperry, Zoda & Kane

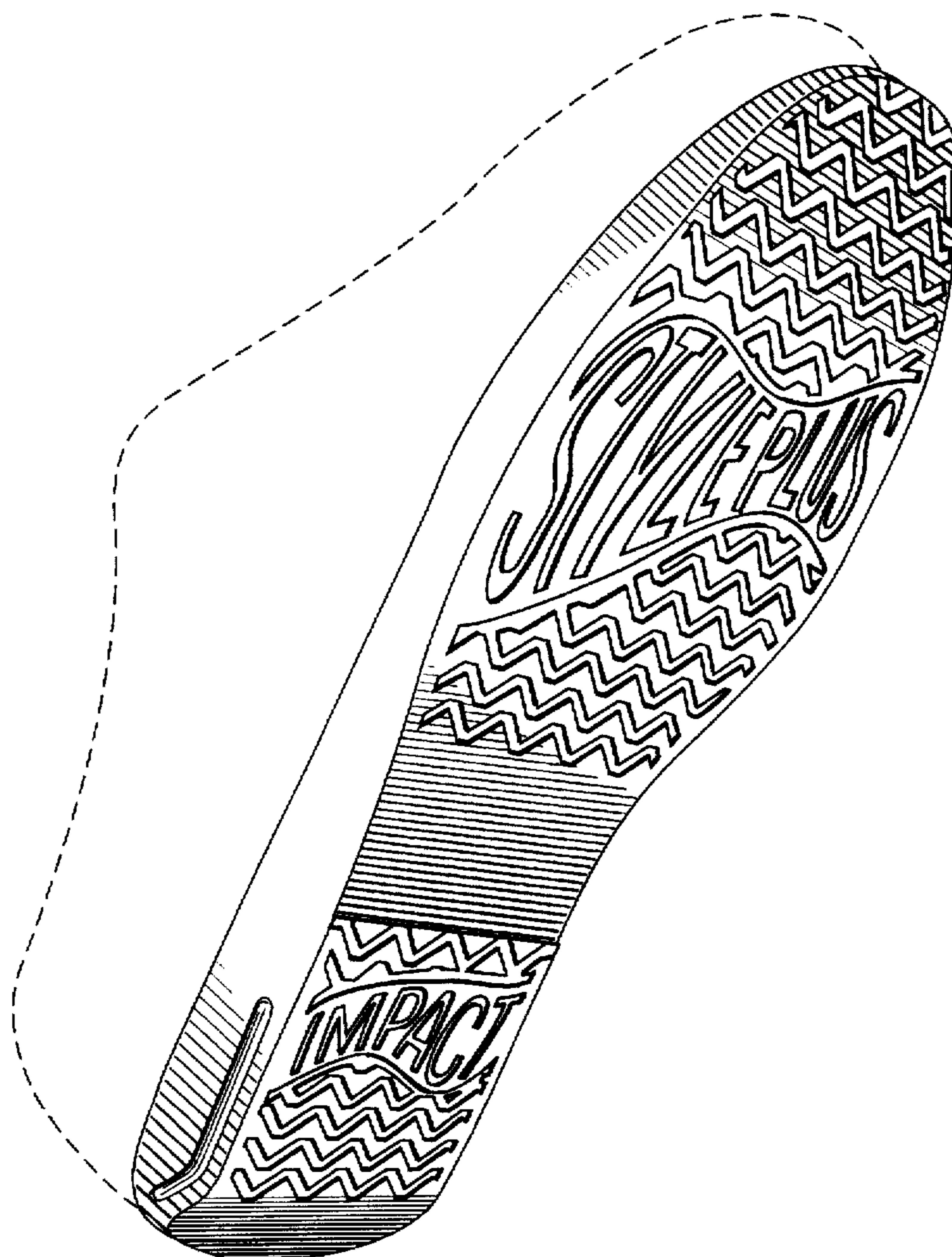
[57] **CLAIM**

The ornamental design for a sole pattern for a marching shoe, as shown.

DESCRIPTION

The sole FIGURE is a front elevational view of a sole pattern for a marching shoe, showing my new design.

1 Claim, 1 Drawing Sheet



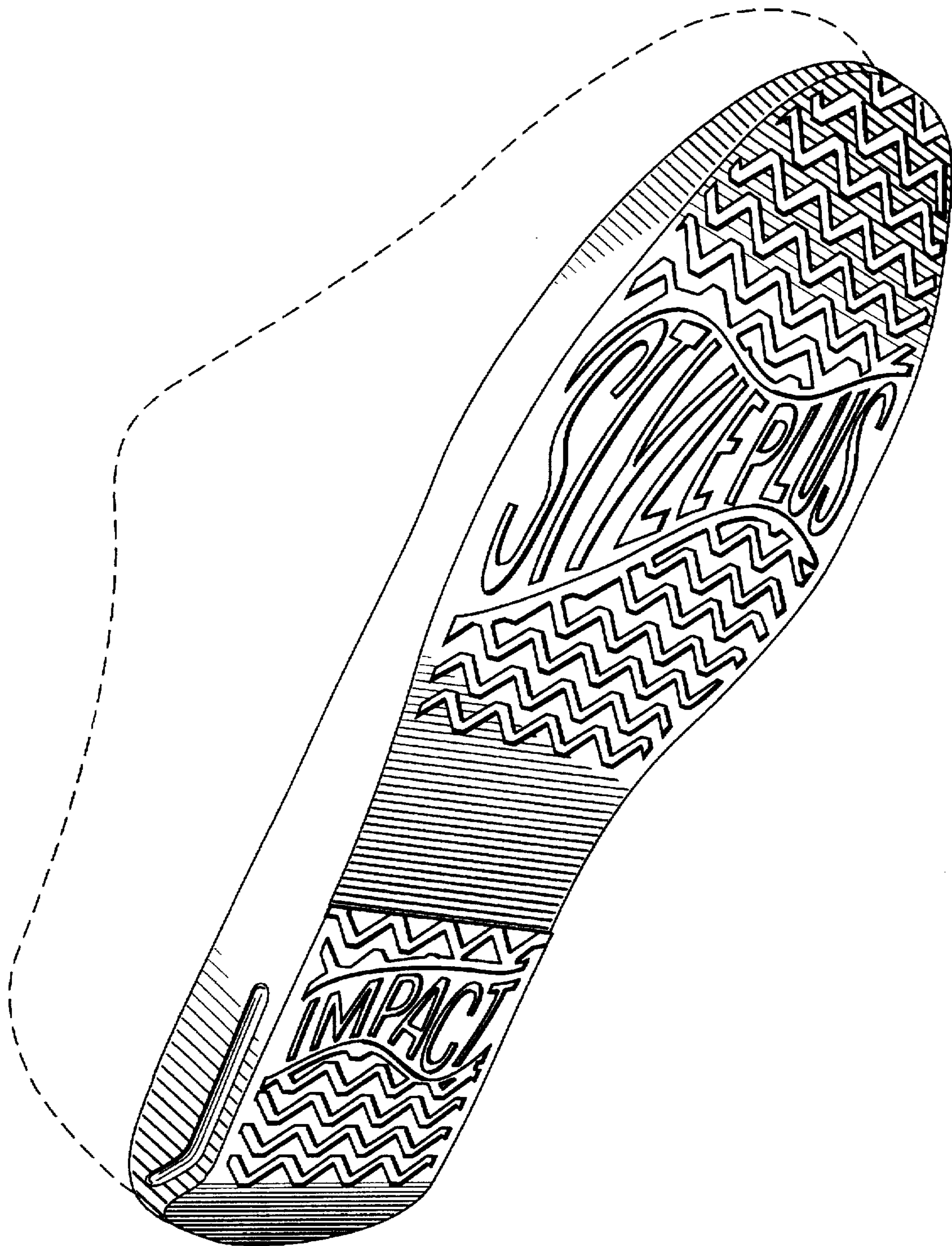


FIG. 1