

US00D388933S

United States Patent [19]

[11] Patent Number: **Des. 388,933**

Hunter et al.

[45] Date of Patent: ****Jan. 6, 1998**

[54] **FLANGE FOR A BUNGED DRUM**

4,998,643 3/1991 Pradel D34/39 X

[75] Inventors: **John H. Hunter**, Placerville; **Charles F. Hudson**, Rowland Hts., both of Calif.

OTHER PUBLICATIONS

Fastener, Pemhex. Penn Engineering and Manufacturing Corp., 1964.

[73] Assignee: **Russell-Stanley Corporation**, Red Bank, N.J.

Primary Examiner—M. N. Pandozzi
Attorney, Agent, or Firm—Hedman, Gibson & Costigan, P.C.

[**] Term: **14 Years**

[57] CLAIM

[21] Appl. No.: **54,959**

The ornamental design for a flange for a bunged drum, as shown and described.

[22] Filed: **May 24, 1996**

DESCRIPTION

[51] **LOC (6) Cl.** **09-02**

[52] **U.S. Cl.** **D34/39; D8/397**

[58] **Field of Search** **D34/39, 38, 28; D8/397; 220/320; D7/387**

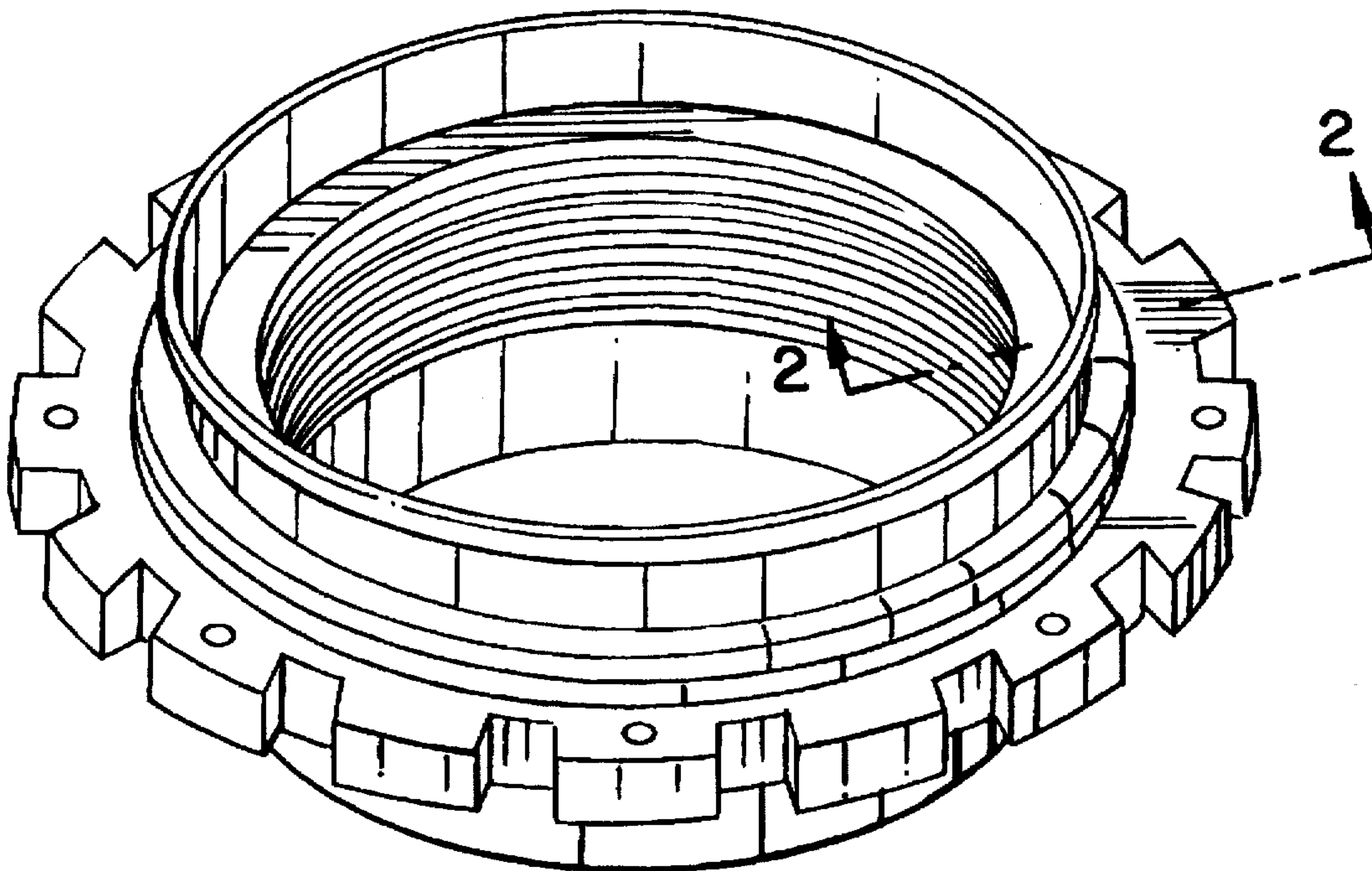
FIG. 1 is a top perspective view of a flange for a bunged drum showing our new design; FIG. 2 is a partial cross-sectional view thereof taken along line 2—2 of FIG. 1, broken away for ease of illustration; FIG. 3 is a top view of the flange for a bunged drum in accordance with the invention; FIG. 4 is a bottom view of the flange for a bunged drum in accordance with the invention; and, FIG. 5 is a side elevational view of the flange for a bunged drum in accordance with the invention.

[56] References Cited

U.S. PATENT DOCUMENTS

D. 217,540	5/1970	Weise	D8/397
D. 265,176	6/1982	Bock	D34/39
D. 273,561	4/1984	Ozaki et al.	D8/397
D. 281,953	12/1985	Newman	D8/397
D. 327,604	7/1992	Culverson	D34/39 X

1 Claim, 2 Drawing Sheets



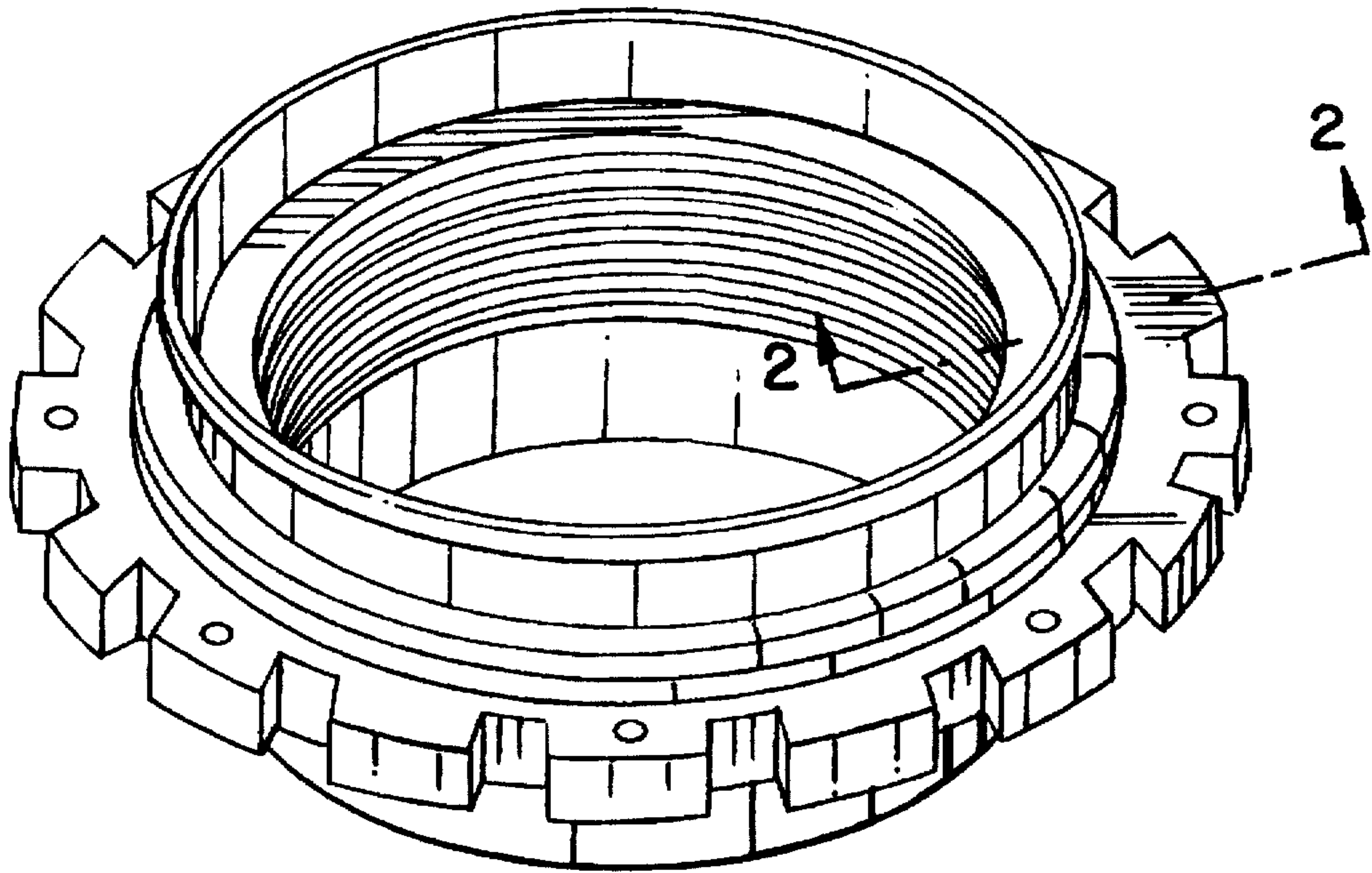


FIG. 1

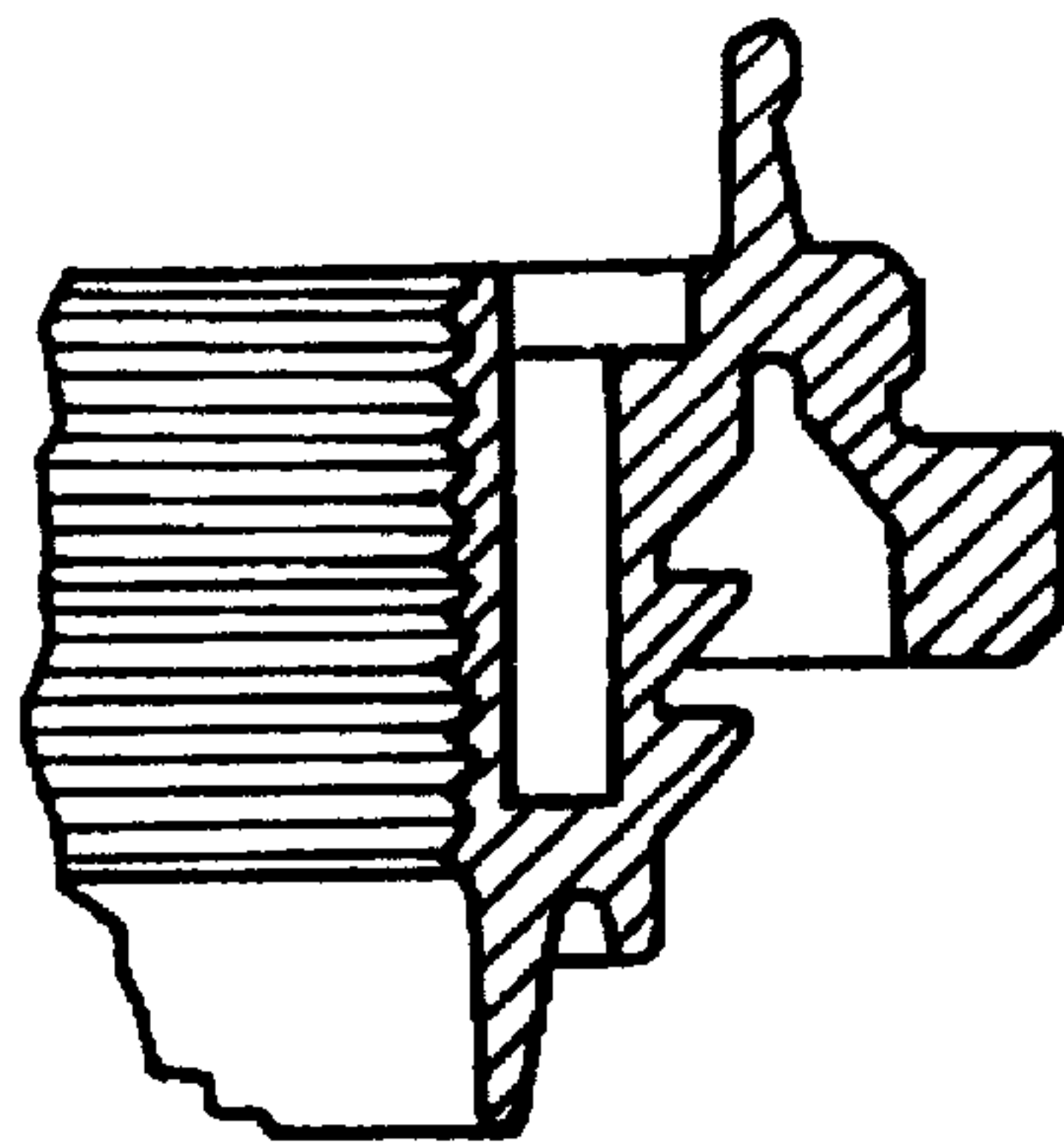


FIG. 2

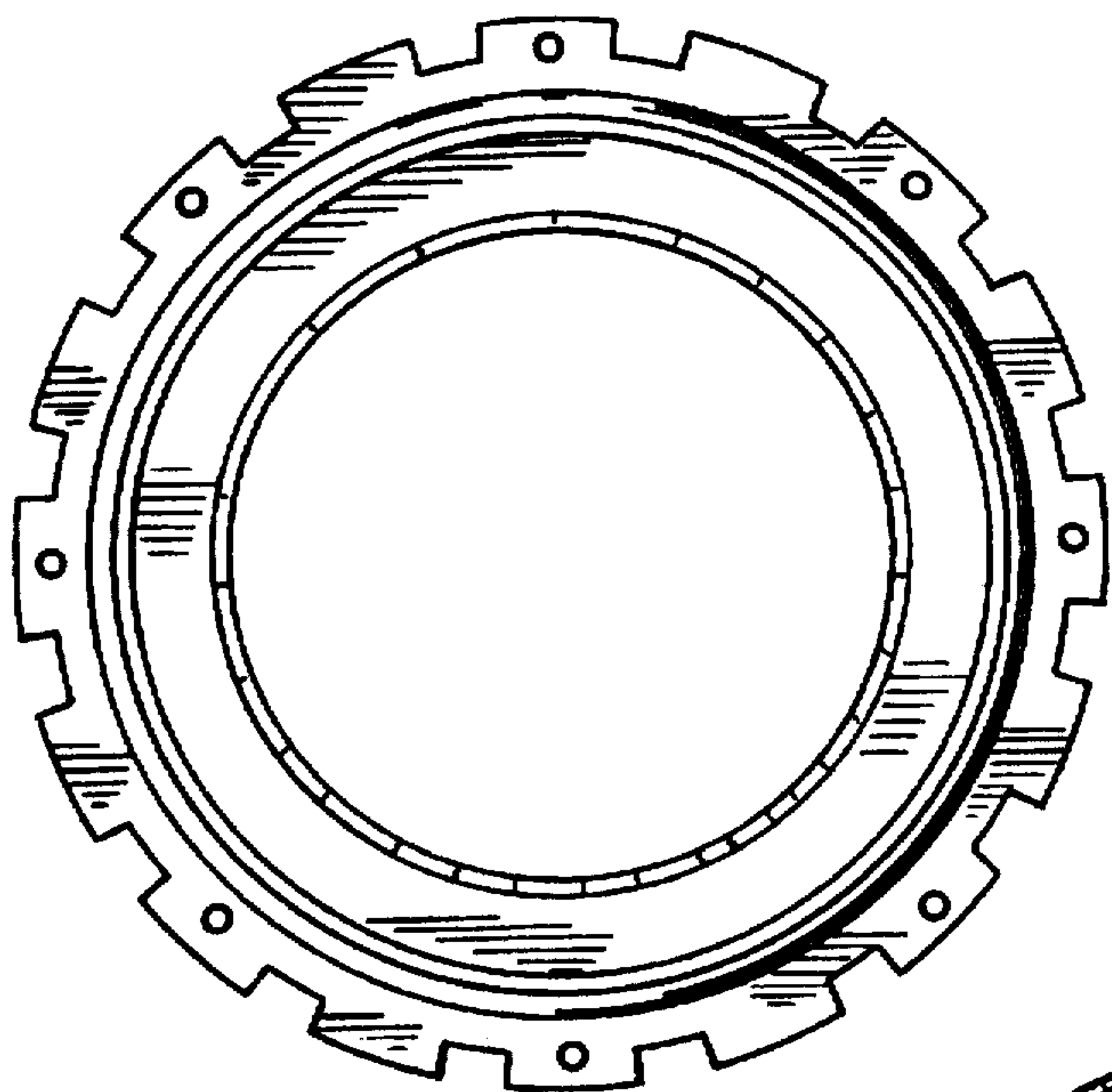


FIG. 3

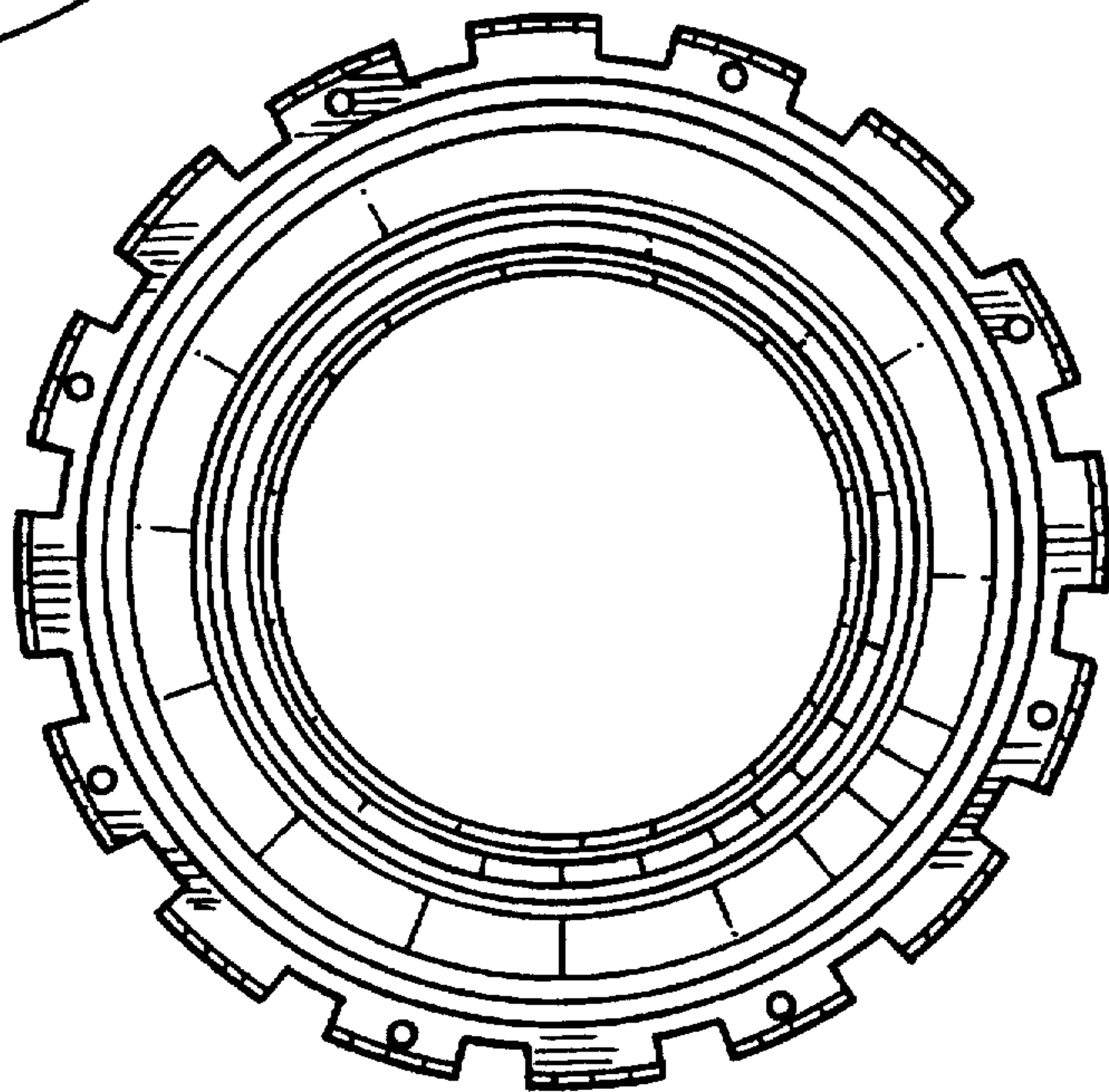


FIG. 4

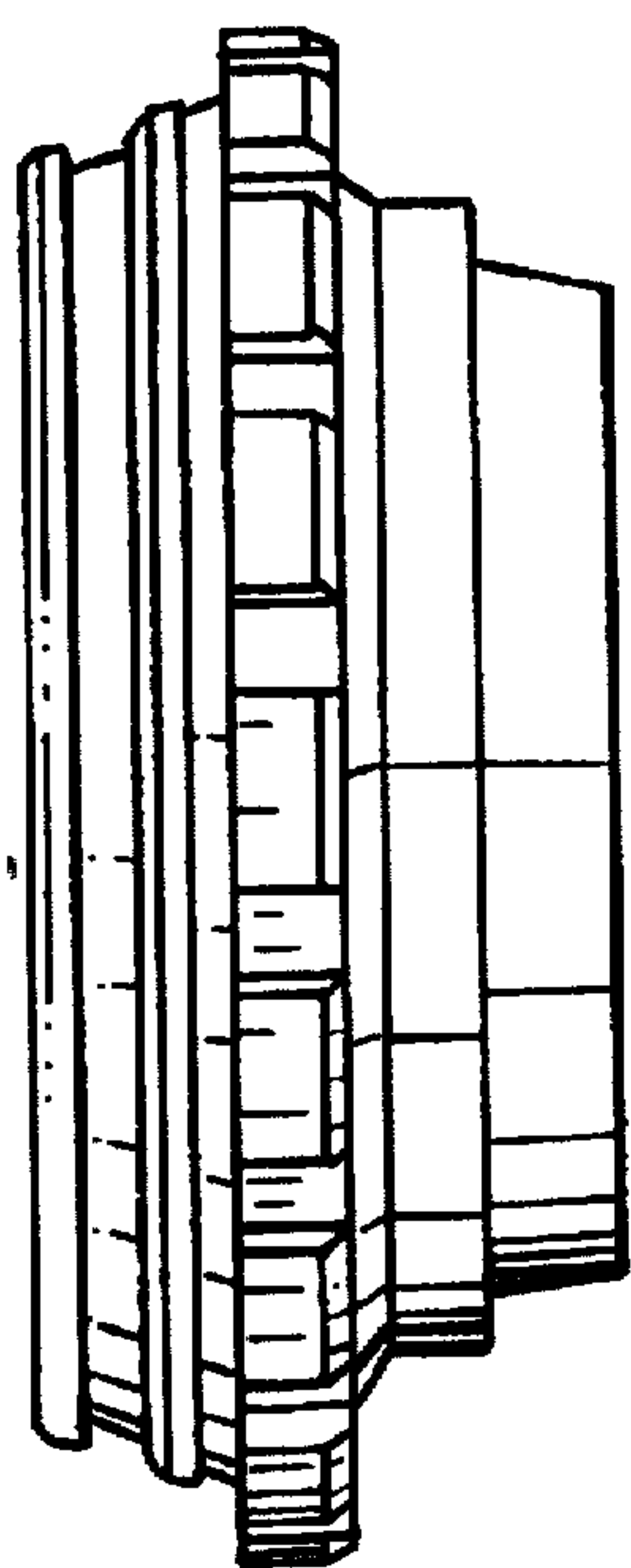


FIG. 5