



US00D388930S

United States Patent [19]

Pinkston et al.

[11] Patent Number: Des. 388,930

[45] Date of Patent: **Jan. 6, 1998

[54] ROTATABLE RECOVERY UNIT

[76] Inventors: **Donald L. Pinkston**, 12295 Spruce La., Perry, Mich. 48872; **Robert A. Meadows**, 2085 Dalkeith Dr., Germantown, Tenn. 38139

[**] Term: 14 Years

[21] Appl. No.: 55,699

[22] Filed: Jun. 11, 1996

Related U.S. Application Data

[63] Continuation-in-part of Ser. No. 10,033, Jun. 25, 1993, abandoned.

[51] LOC (6) Cl. 12-05

[52] U.S. Cl. D34/34

[58] Field of Search D34/33, 37, 34; D12/86; 212/301, 302, 261, 260; 414/563

[56] References Cited

U.S. PATENT DOCUMENTS

- D. 205,030 6/1966 Grove .
- D. 205,031 6/1966 Grove .
- D. 251,239 3/1979 Grove D34/34
- D. 301,127 5/1989 Lindblom .
- 2,786,723 3/1957 Harsch .
- 2,787,383 4/1957 Antos et al. .
- 2,911,111 11/1959 Grove .
- 3,856,149 12/1974 Shaw 212/301
- 4,134,500 1/1979 Sauber .
- 4,363,409 12/1982 Laurich-Trost .
- 4,515,282 5/1985 Falch .
- 4,790,710 12/1988 Ayalon .
- 5,064,078 11/1991 Van Staveren .

FOREIGN PATENT DOCUMENTS

2609631 9/1977 Germany .

OTHER PUBLICATIONS

Vulcan Forge (Equipment to Keep your Business on the move).

Primary Examiner—Doris Clark

Attorney, Agent, or Firm—Ian C. McLeod; Mary M. Moyne

[57] CLAIM

The ornamental design for a rotatable recovery unit, as shown and described.

DESCRIPTION

FIG. 1 is a left side elevational view of a rotatable recovery unit showing our new design;

FIG. 2 is a right side elevational view thereof;

FIG. 3 is a rear elevational view thereof;

FIG. 4 is a top plan view thereof;

FIG. 5 is a right side elevational view of the rotatable recovery unit of FIG. 1 with the hoist unit rotated 180°;

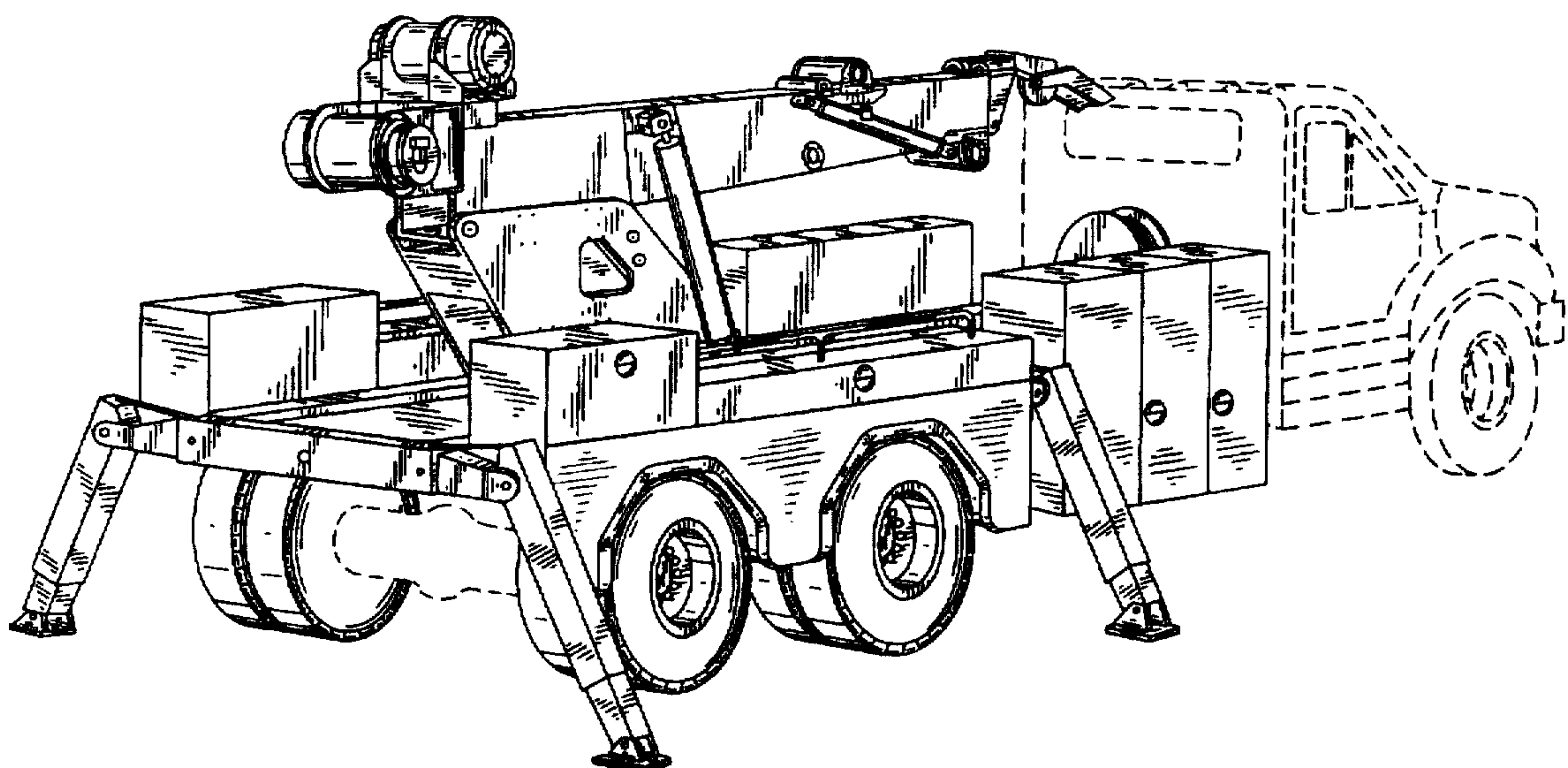
FIG. 6 is a rear elevational view of the rotatable recovery unit of FIG. 1 with the boom member in the elevated position;

FIG. 7 is a front elevational view of the rotatable recovery unit; and,

FIG. 8 is a rear perspective view thereof.

The broken line showing of the cab of the unit in the Figures is for illustrative purposes only and forms no part of the claimed invention.

1 Claim, 8 Drawing Sheets



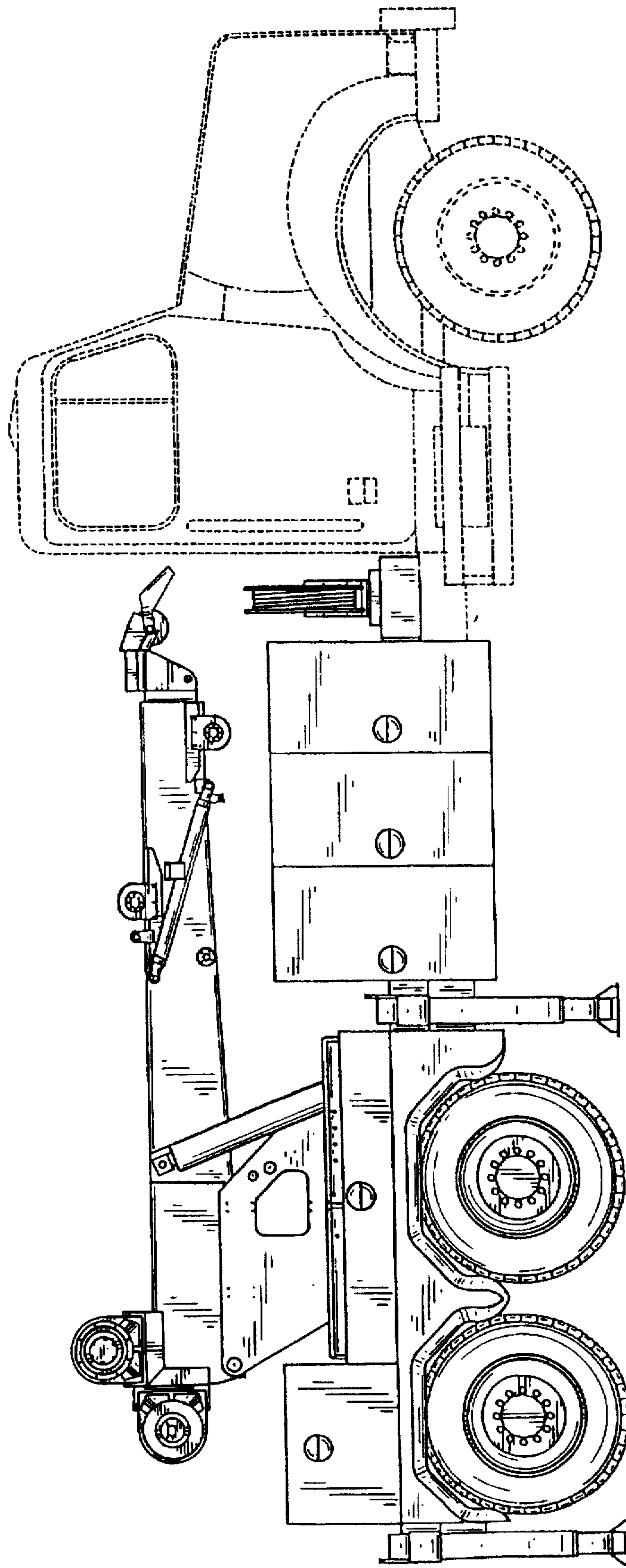


FIG. 1

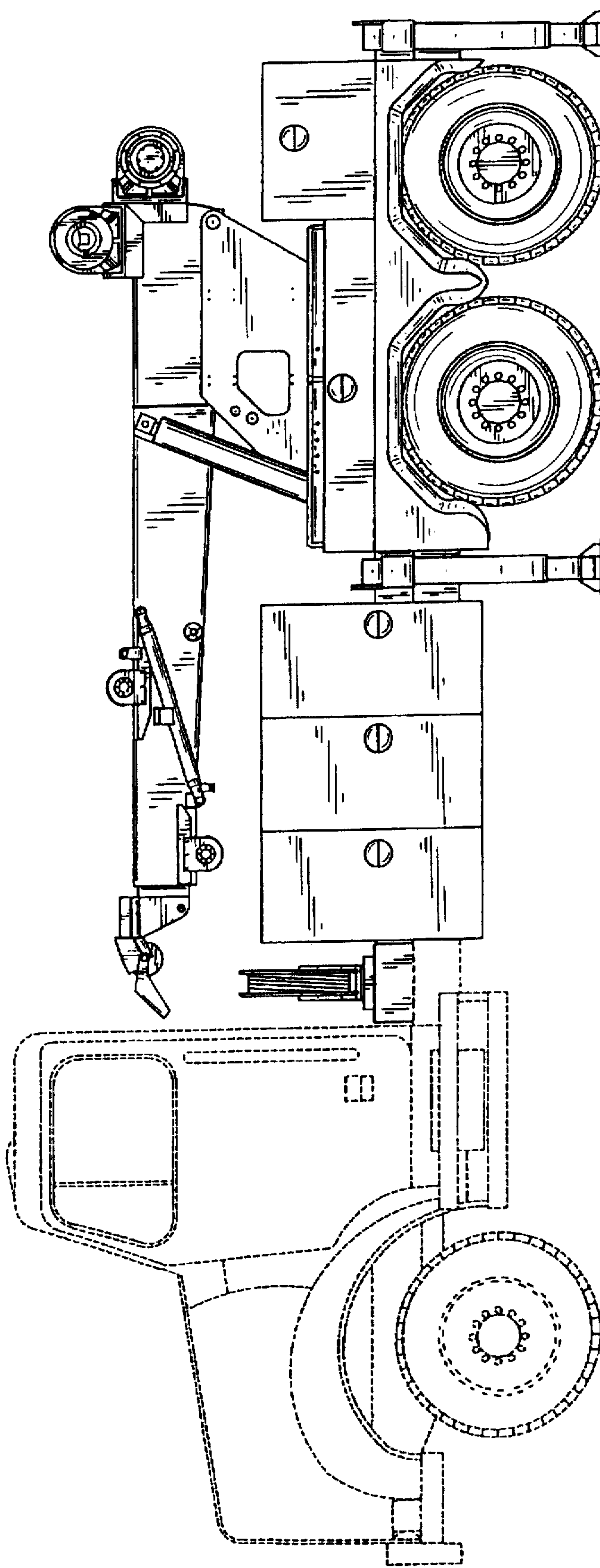


FIG. 2

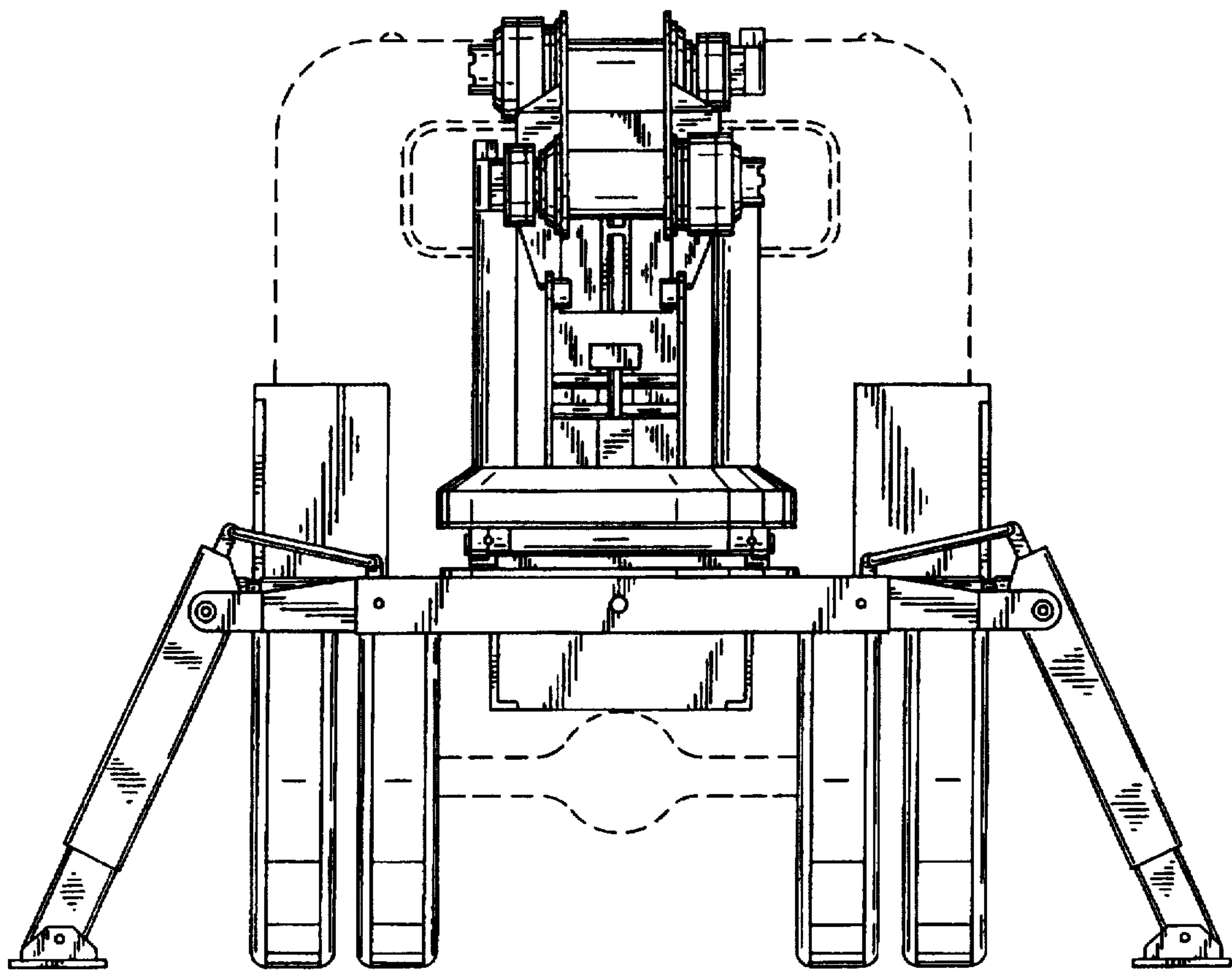


FIG. 3

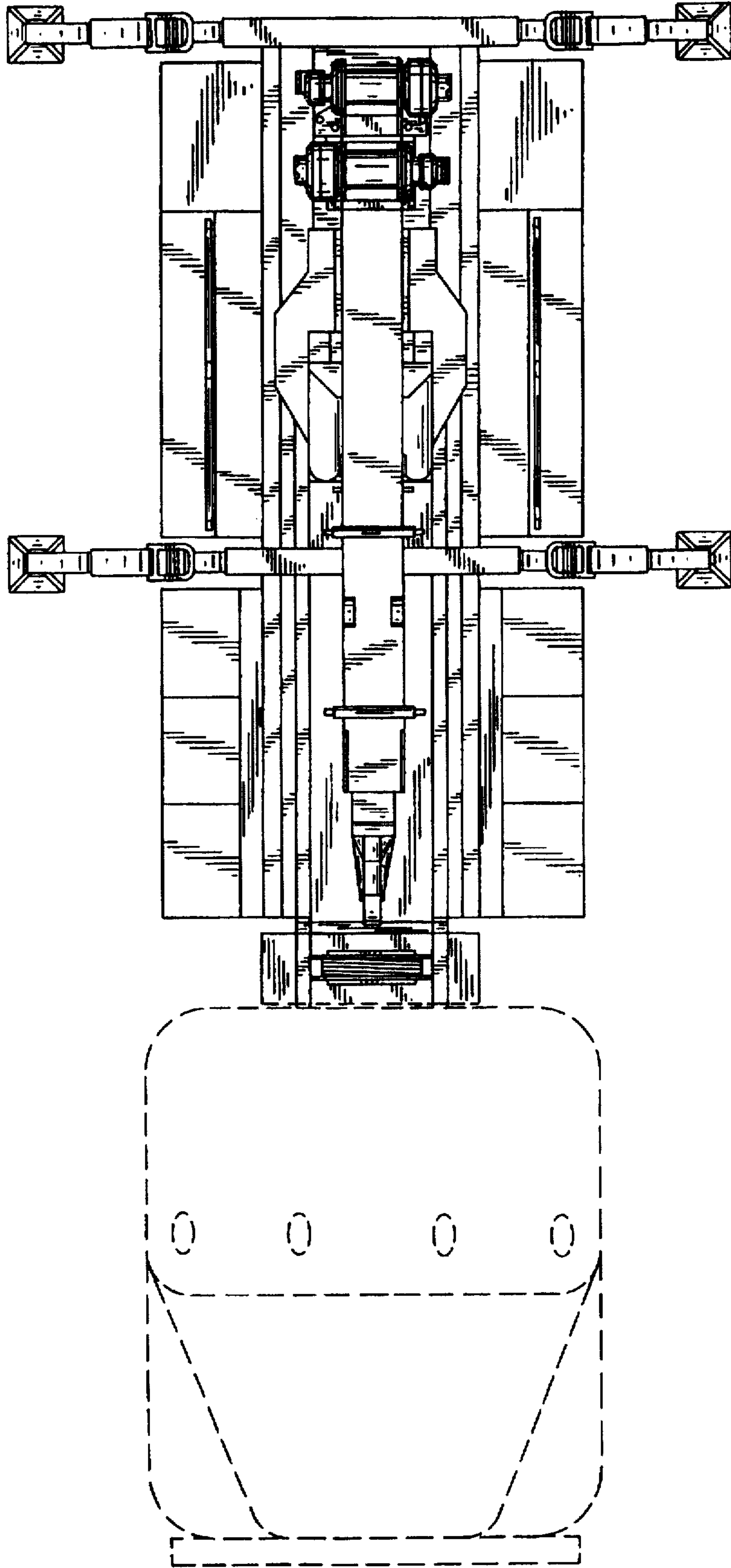


FIG. 4

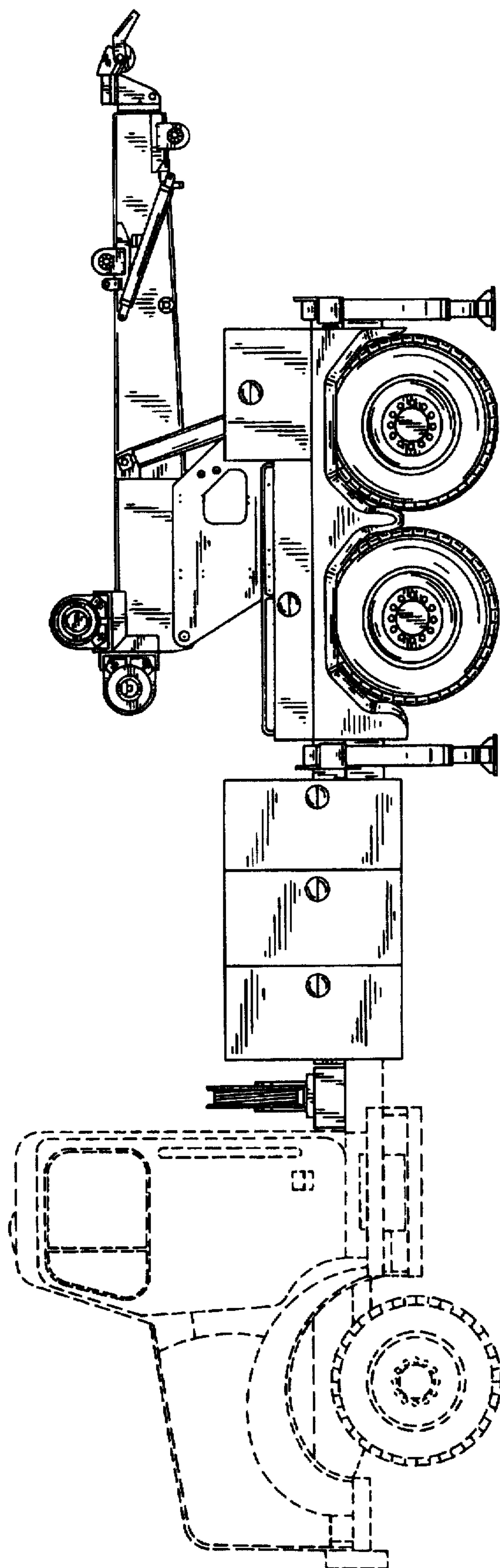


FIG. 5

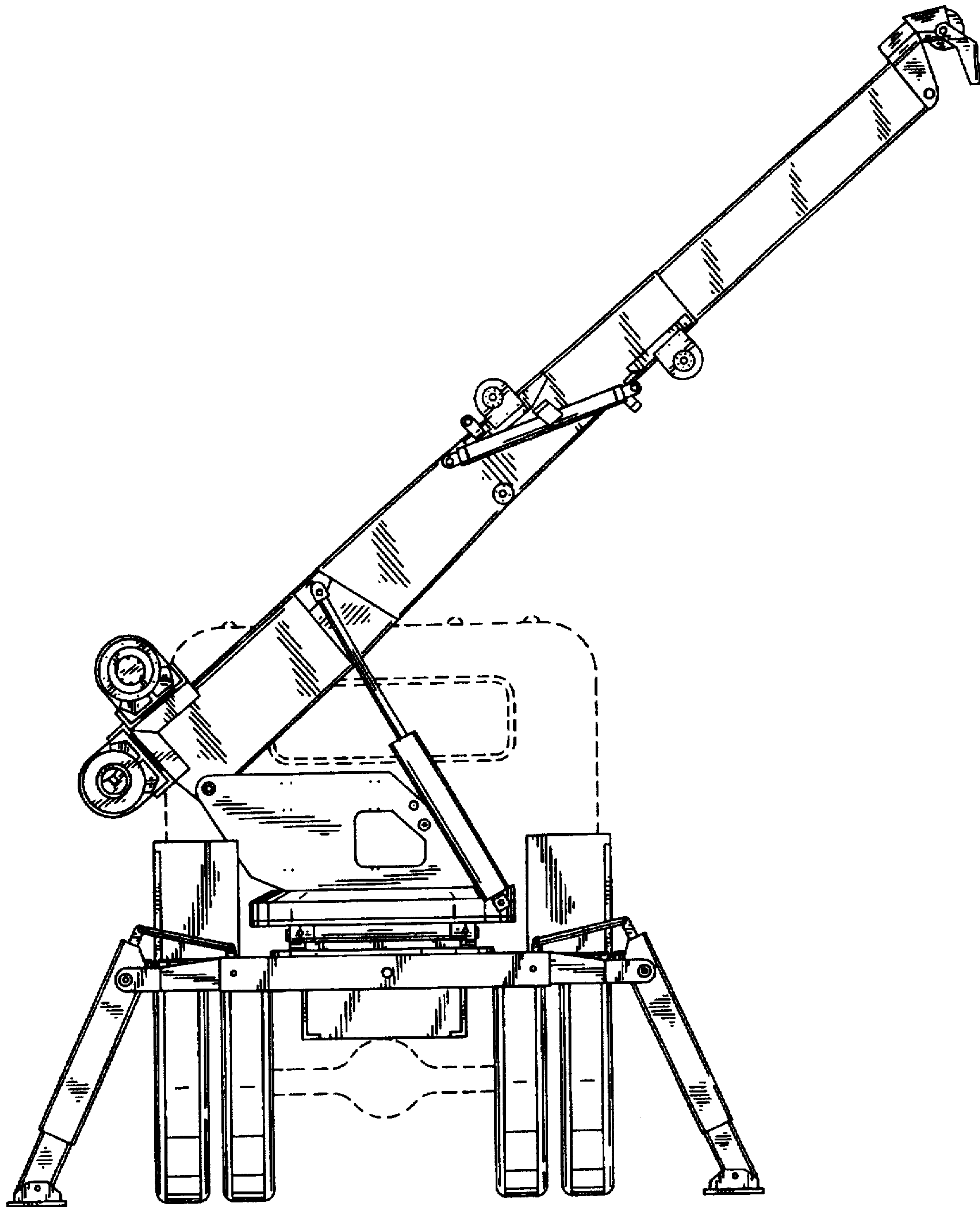


FIG. 6

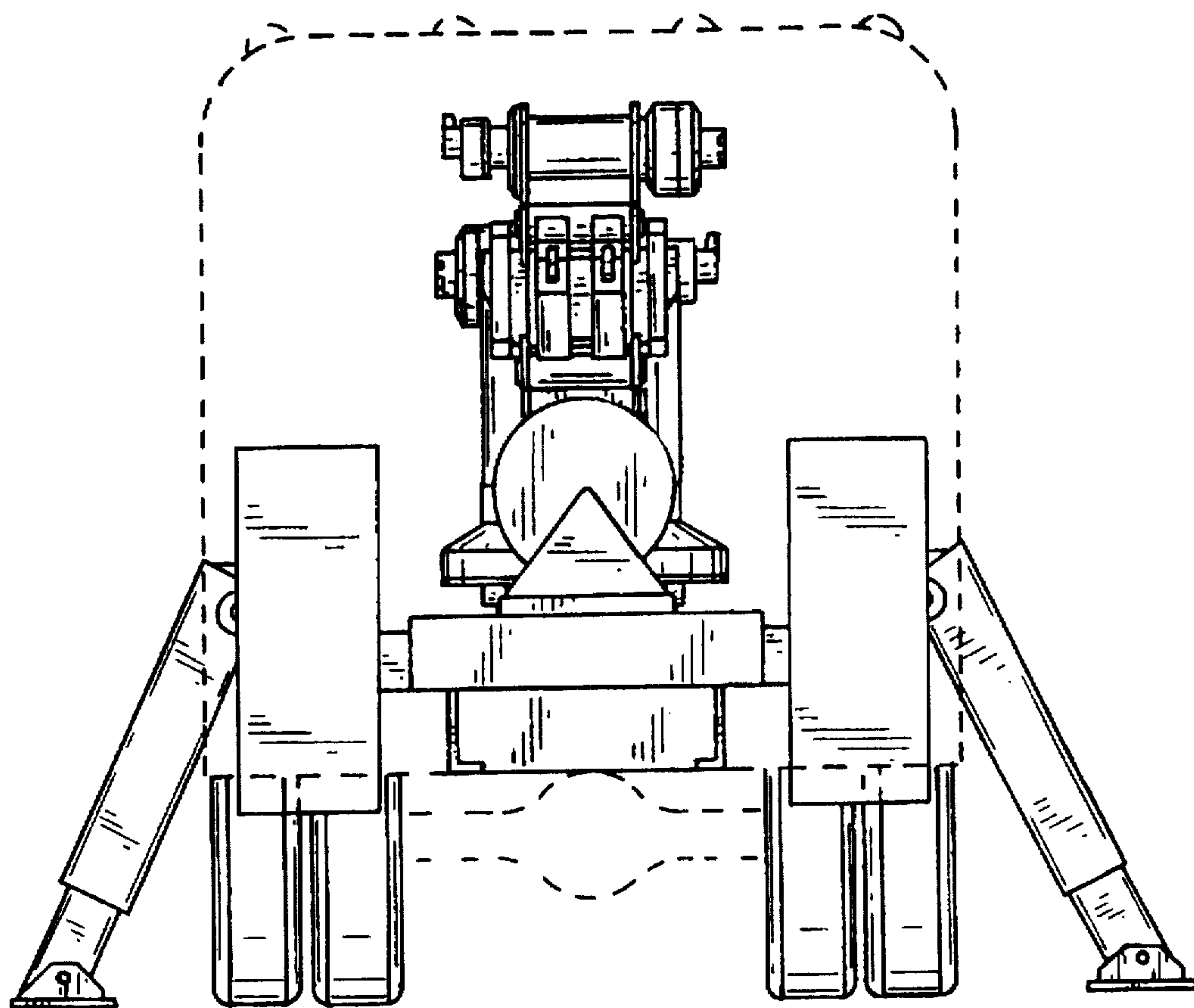


FIG. 7

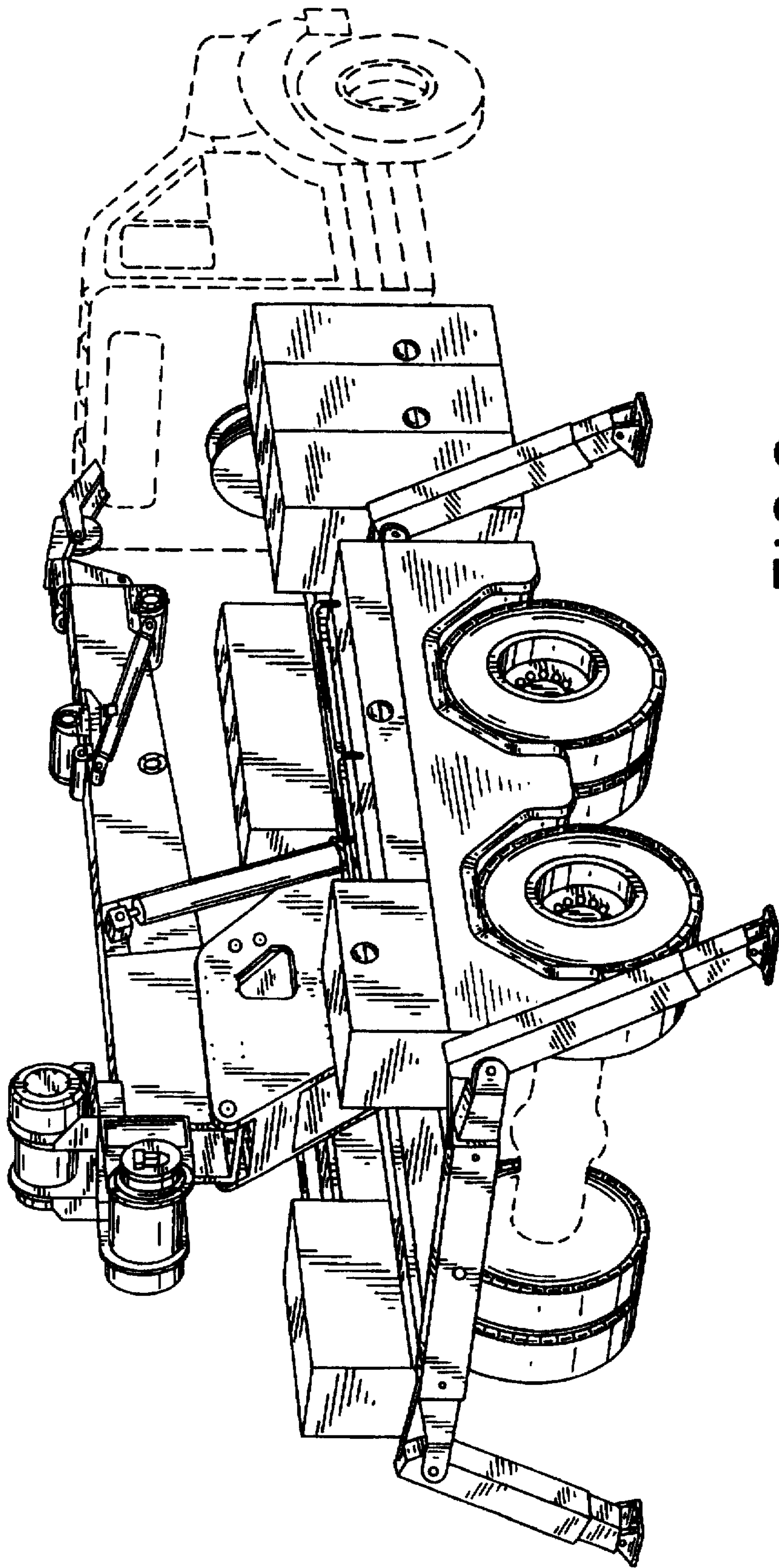


FIG. 8