



US00D388929S

United States Patent [19]
Kuryu

[11] **Patent Number:** **Des. 388,929**
[45] **Date of Patent:** ****Jan. 6, 1998**

[54] **TRACTION HOIST USED IN A POWERED
SUSPENDED SCAFFOLD**

[75] **Inventor:** **Shizuka Kuryu, Tokyo, Japan**

[73] **Assignee:** **Nihon Biso Co., Ltd., Japan**

[**] **Term:** **14 Years**

[21] **Appl. No.:** **63,278**

[22] **Filed:** **Dec. 4, 1996**

Related U.S. Application Data

[62] **Division of Ser. No. 44,777, Sep. 26, 1995, Pat. No. Des. 388,928.**

[51] **LOC (6) CL** **12-05**

[52] **U.S. Cl.** **D34/33**

[58] **Field of Search** **D34/28, 33; 294/74, 294/82.3; 254/333, 356**

[56] **References Cited**

U.S. PATENT DOCUMENTS

D. 188,729	8/1960	Hunt	D34/33
D. 295,104	4/1988	Pancook	D34/33
2,430,340	11/1947	Johnson	254/333
3,290,013	12/1966	Walsh et al.	254/333
3,329,406	7/1967	Flair	254/333
4,139,178	2/1979	Hippach	254/333

4,706,940 11/1987 Harig D34/33

Primary Examiner—Alan P. Douglas
Assistant Examiner—Robin V. Taylor
Attorney, Agent, or Firm—Hedman, Gibson & Costigan, P.C.

[57] **CLAIM**

The ornamental design for a traction hoist used in a powered suspended scaffold, as shown and described.

DESCRIPTION

FIG. 1 is front view of a traction hoist assembled with an electric motor;

FIG. 2 is a rear view of the traction hoist assembled with the electric motor;

FIG. 3 is a top plan view of the traction hoist assembled with the electric motor;

FIG. 4 is a bottom plan view of the traction hoist assembled with the electric motor;

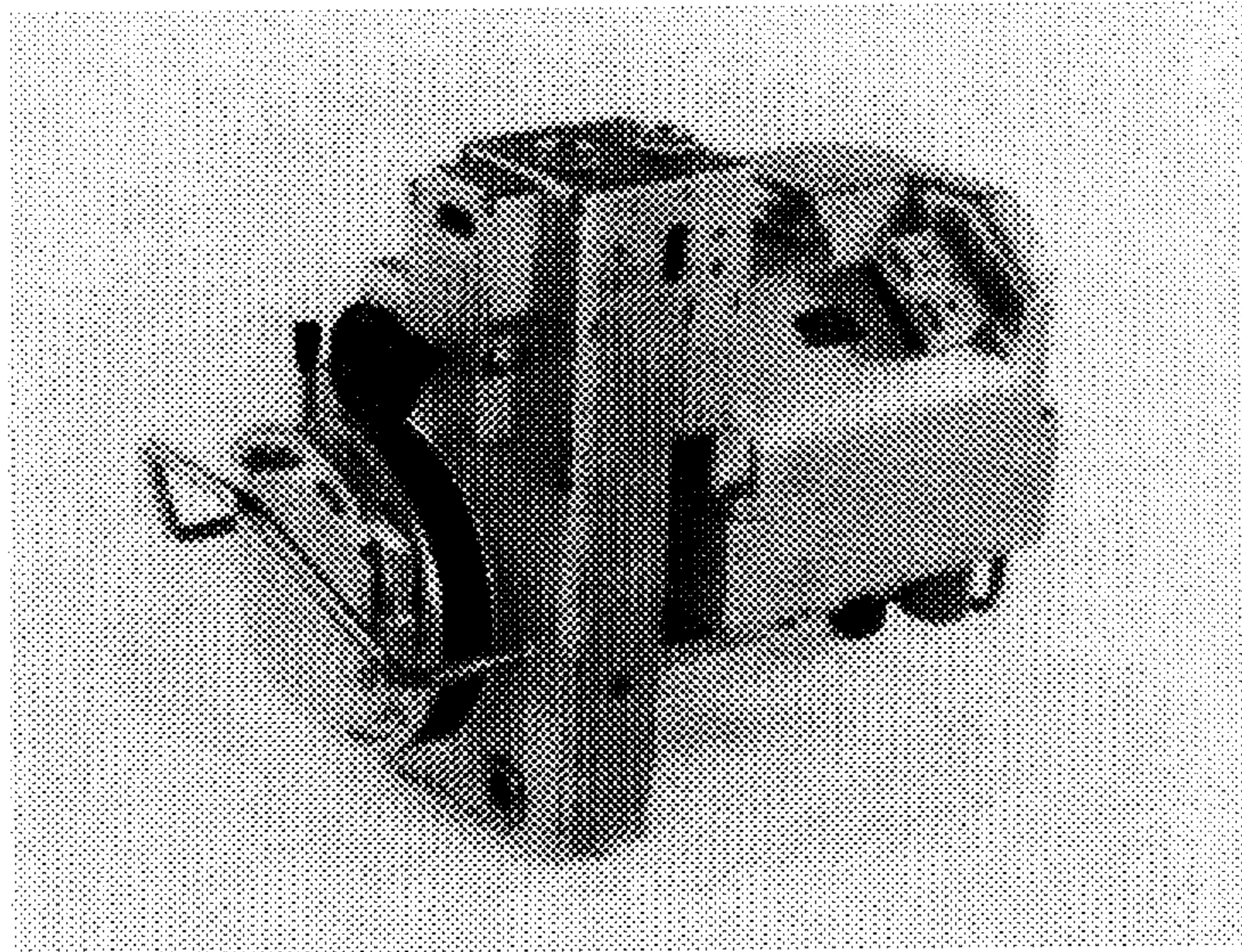
FIG. 5 is a right side elevational view of the traction hoist assembled with the electric motor;

FIG. 6 is a left side elevational view of the traction hoist assembled with the electric motor;

FIG. 7 is a perspective view from the front and left side of the traction hoist assembled with the electric motor; and,

FIG. 8 is a perspective view from the front and right side of the traction hoist assembled with the electric motor.

1 Claim, 4 Drawing Sheets



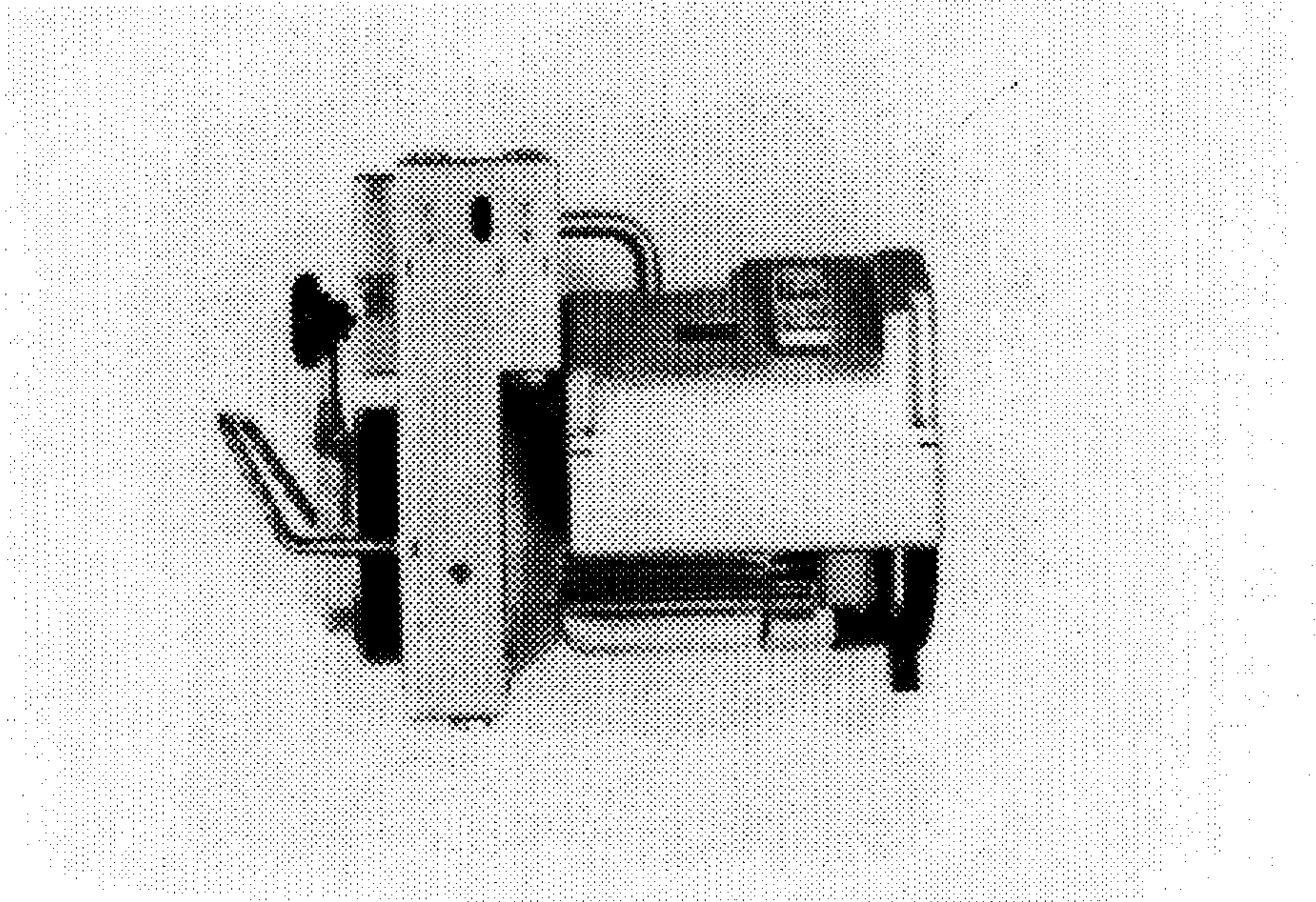


FIG. 1

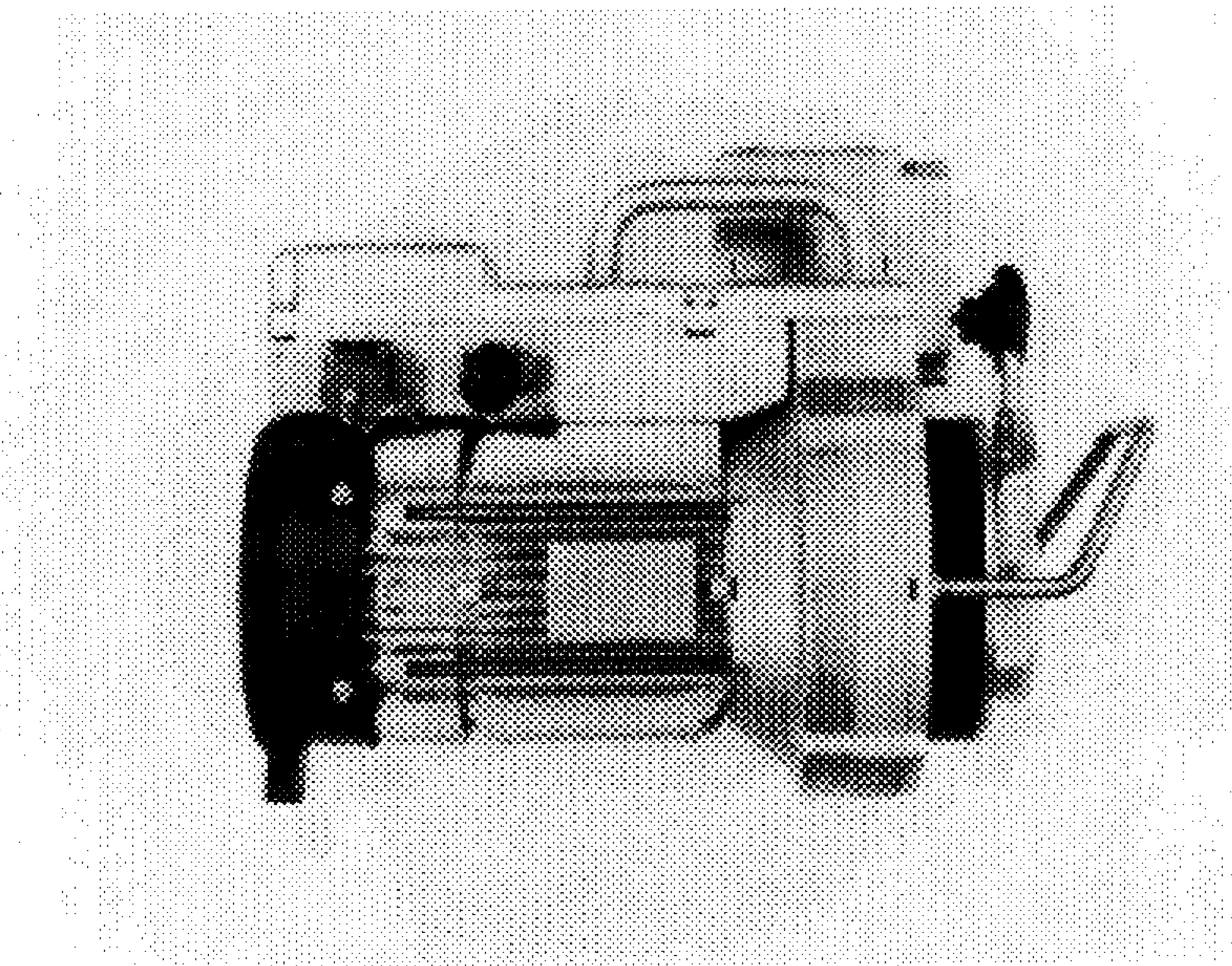


FIG. 2

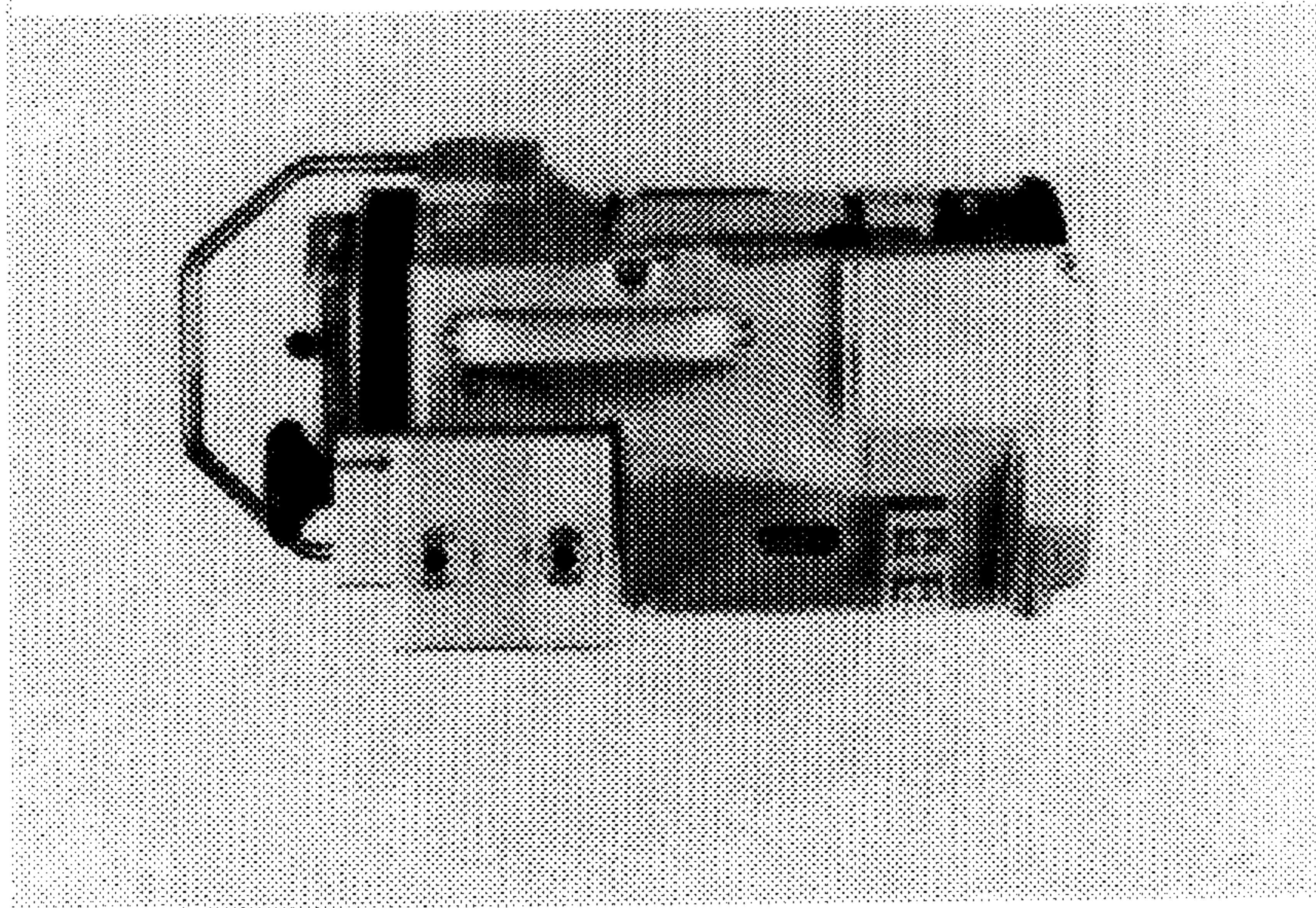


FIG. 3

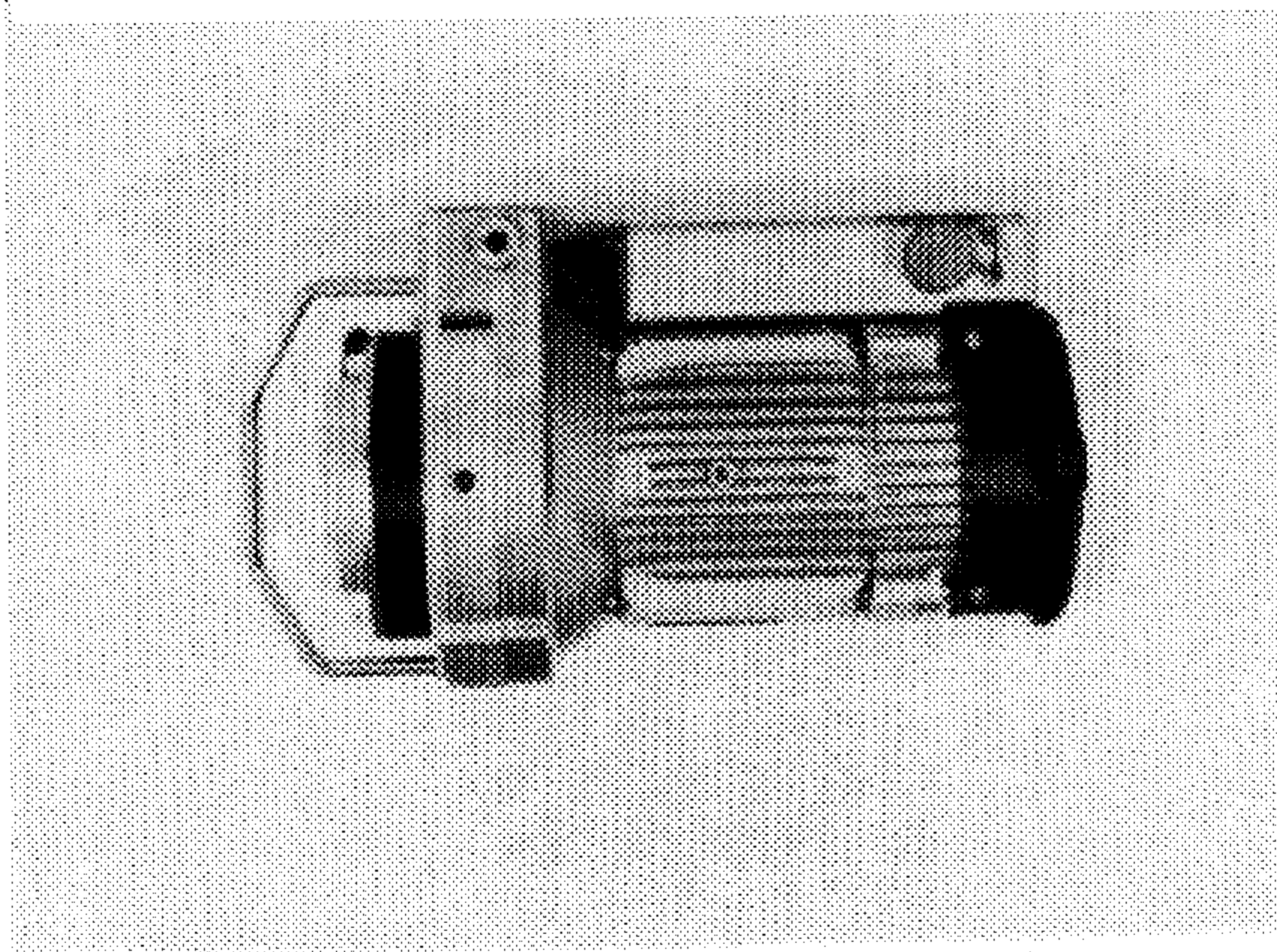


FIG. 4

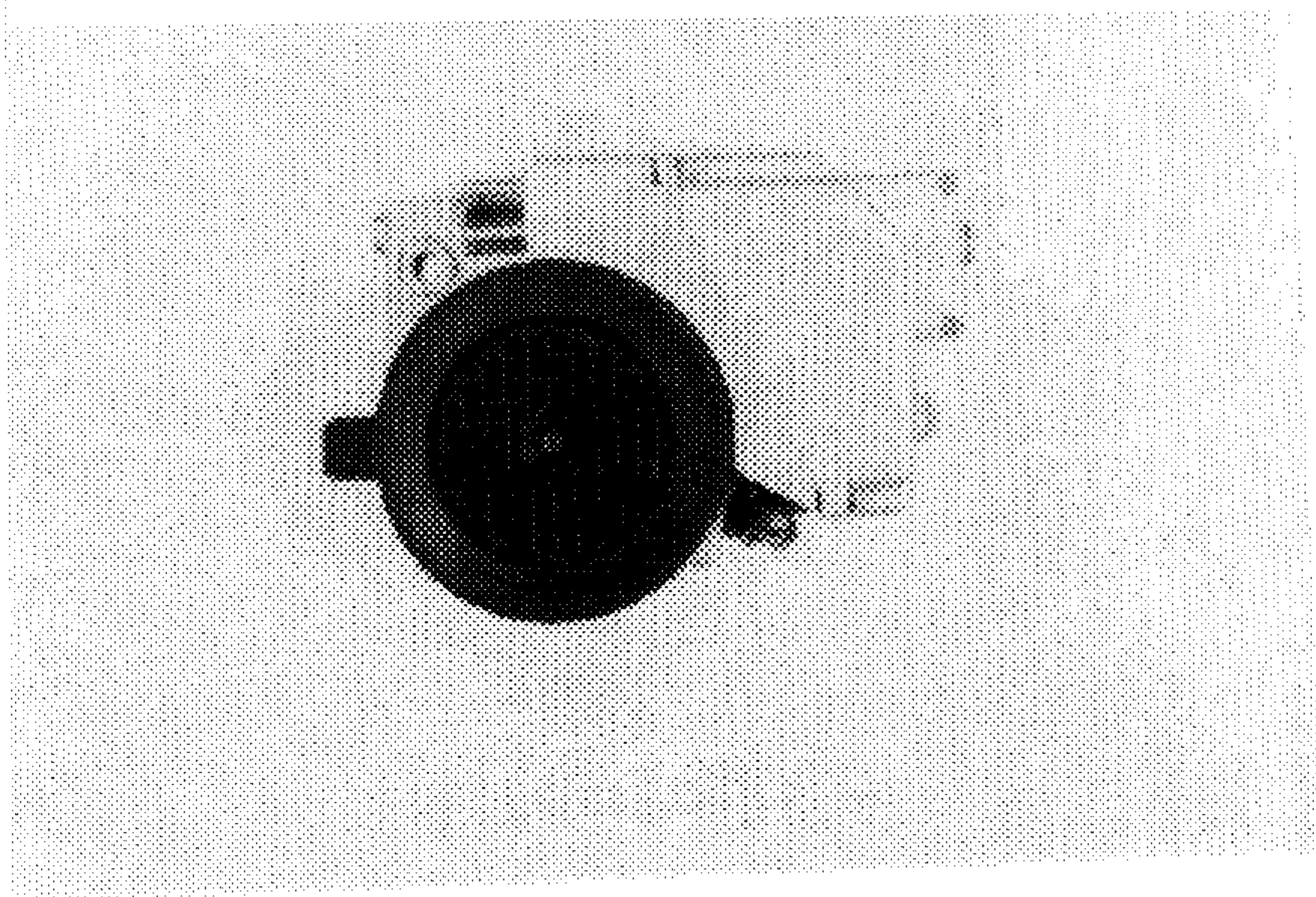


FIG. 5

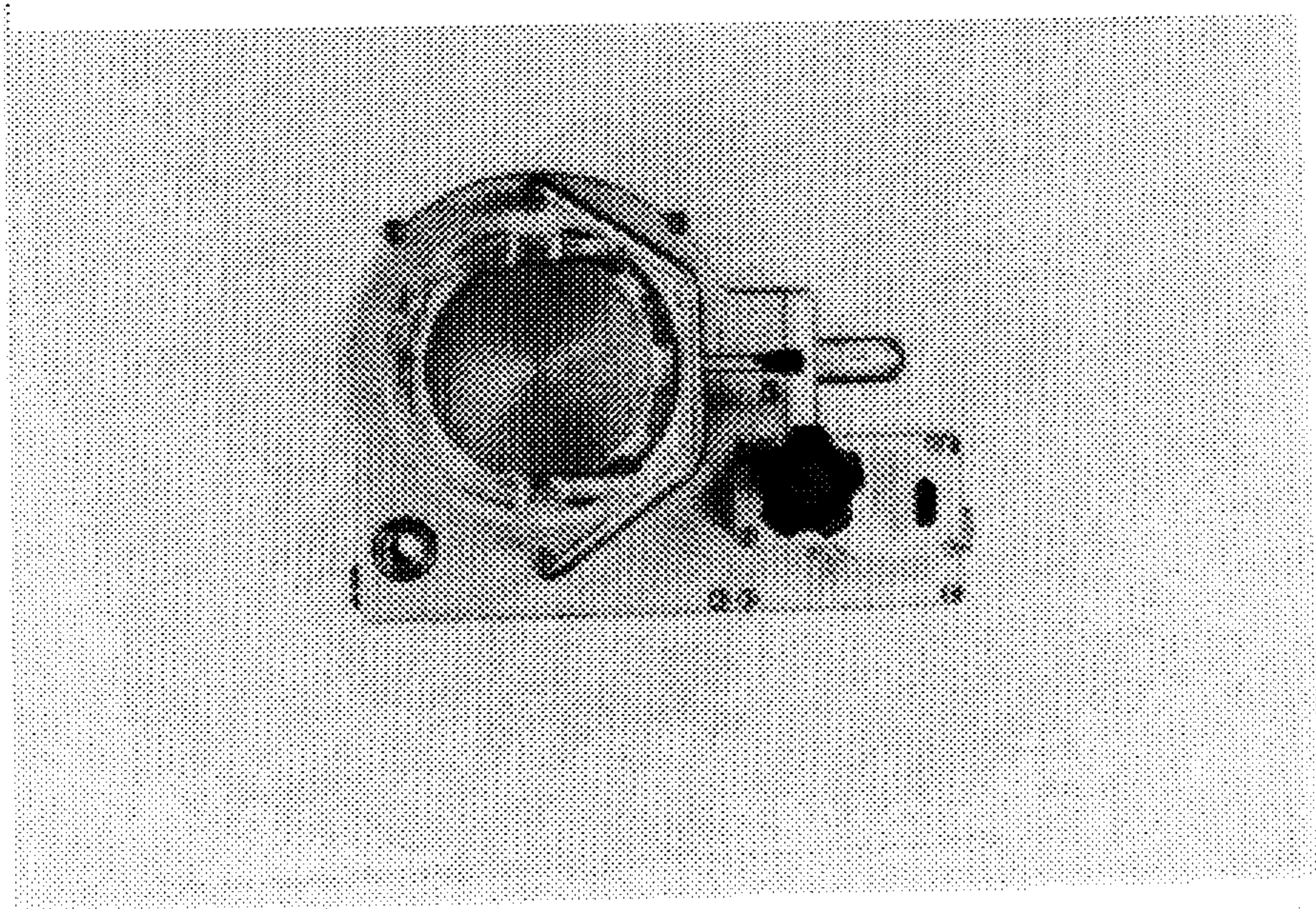


FIG. 6

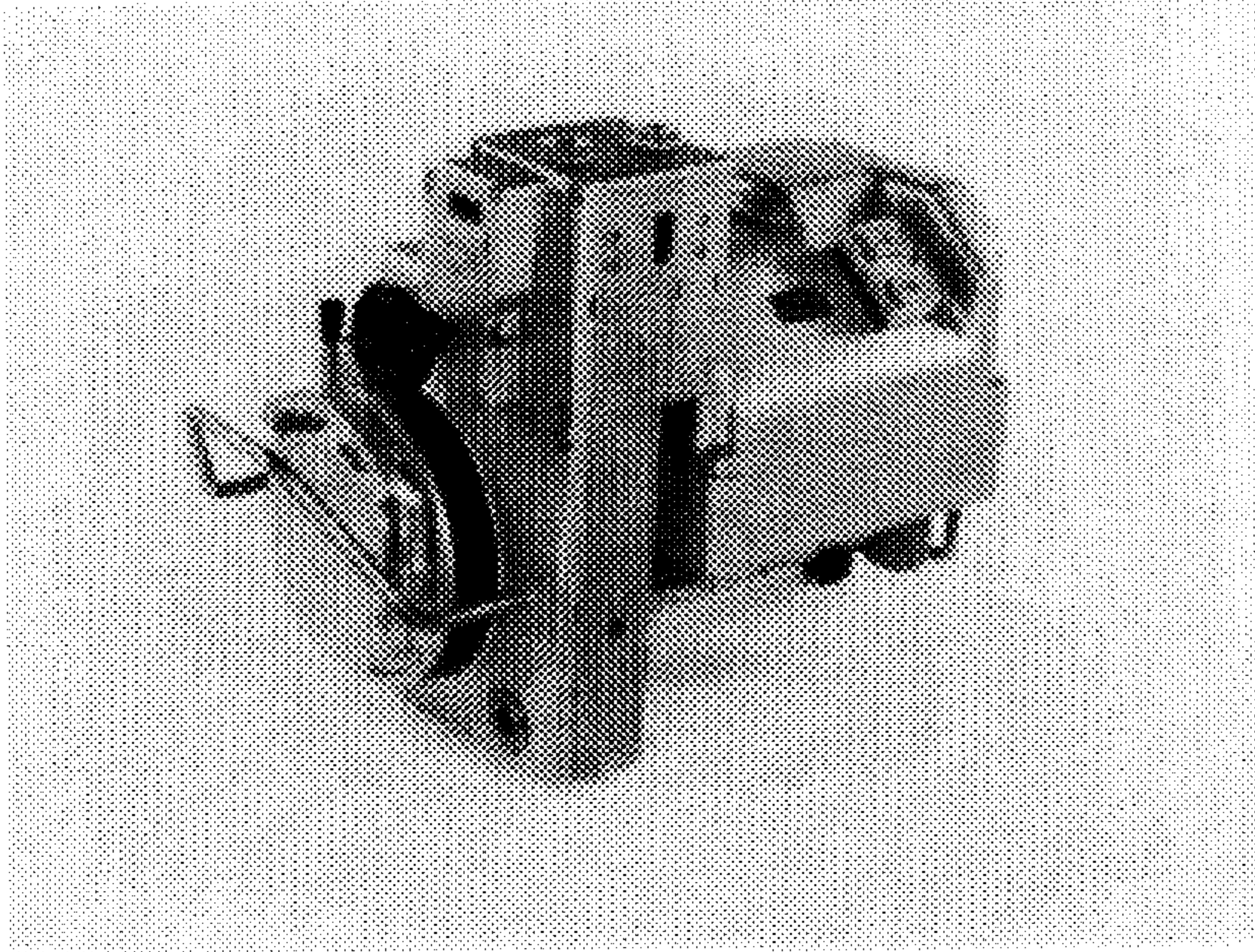


FIG. 7

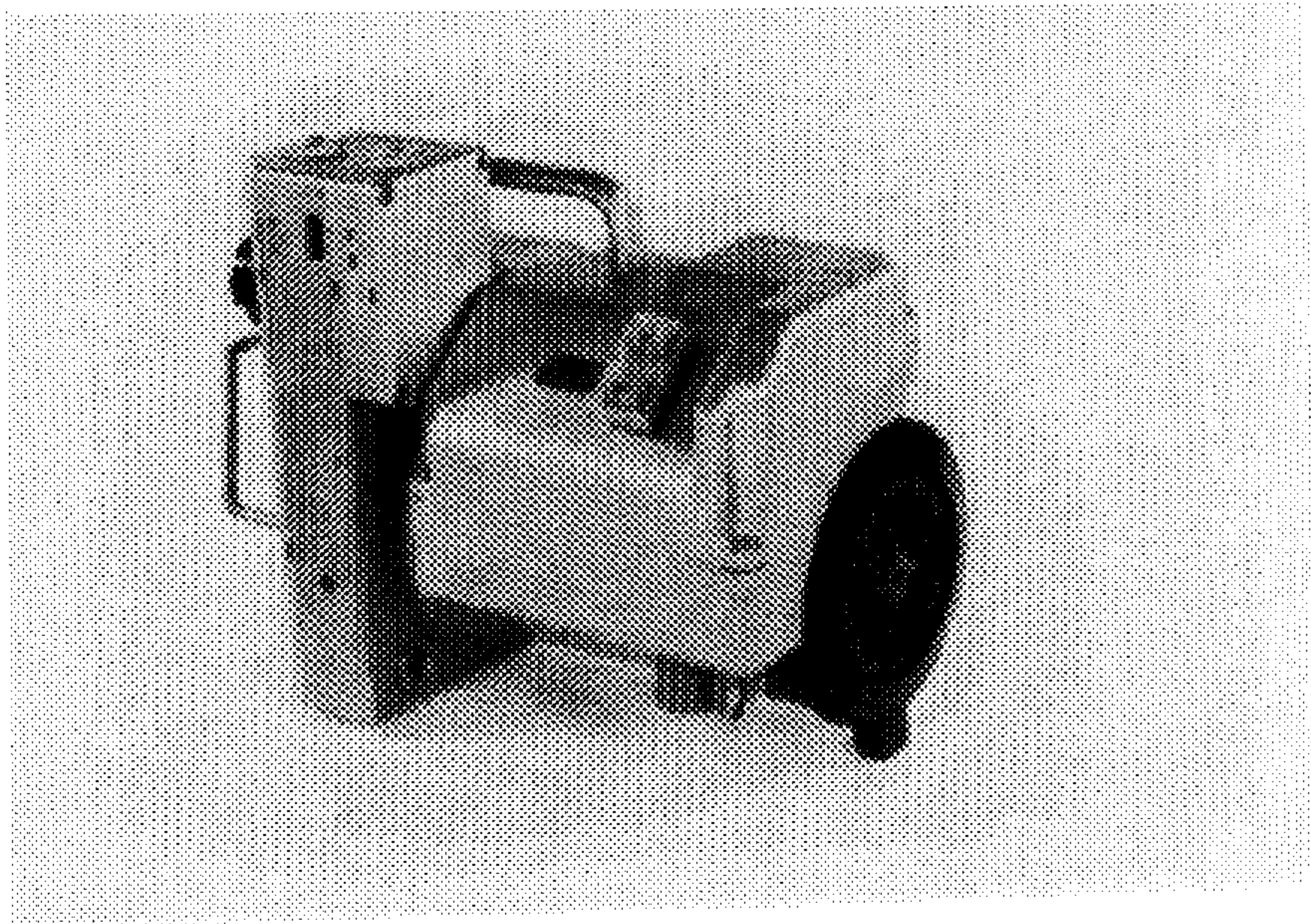


FIG. 8