

US00D388925S

United States Patent [19]
Hulegaard et al.

[11] **Patent Number:** **Des. 388,925**
[45] **Date of Patent:** ****Jan. 6, 1998**

[54] **JACK**
[76] **Inventors:** **Trueman L. Hulegaard**, P.O. Box 94,
Anoka, Minn. 55303; **Curtiss W.**
Titterud, 6865 - 162nd La., Ramsey,
Minn. 55303
[**] **Term:** **14 Years**
[21] **Appl. No.:** **61,384**
[22] **Filed:** **Oct. 23, 1996**
[51] **LOC (6) Cl.** **12-05**
[52] **U.S. Cl.** **D34/31; D34/28**
[58] **Field of Search** **D34/33, 31, 28;**
254/8 R, 8 B

D. 329,112 9/1992 Silbersky et al. D34/28
D. 345,844 4/1994 Steele D34/28 X
D. 348,966 7/1994 Guyton D34/28 X
3,595,527 7/1971 Douglass .
4,482,130 11/1984 Paredes 254/8 R
4,629,391 12/1986 Soyk et al. D34/28 X
4,645,181 2/1987 Schapansky D34/31 X
4,765,594 8/1988 Riedl et al. D34/28 X

Primary Examiner—M. N. Pandozzi
Attorney, Agent, or Firm—Peterson, Wicks, Nemer &
Kamrath, P.A.

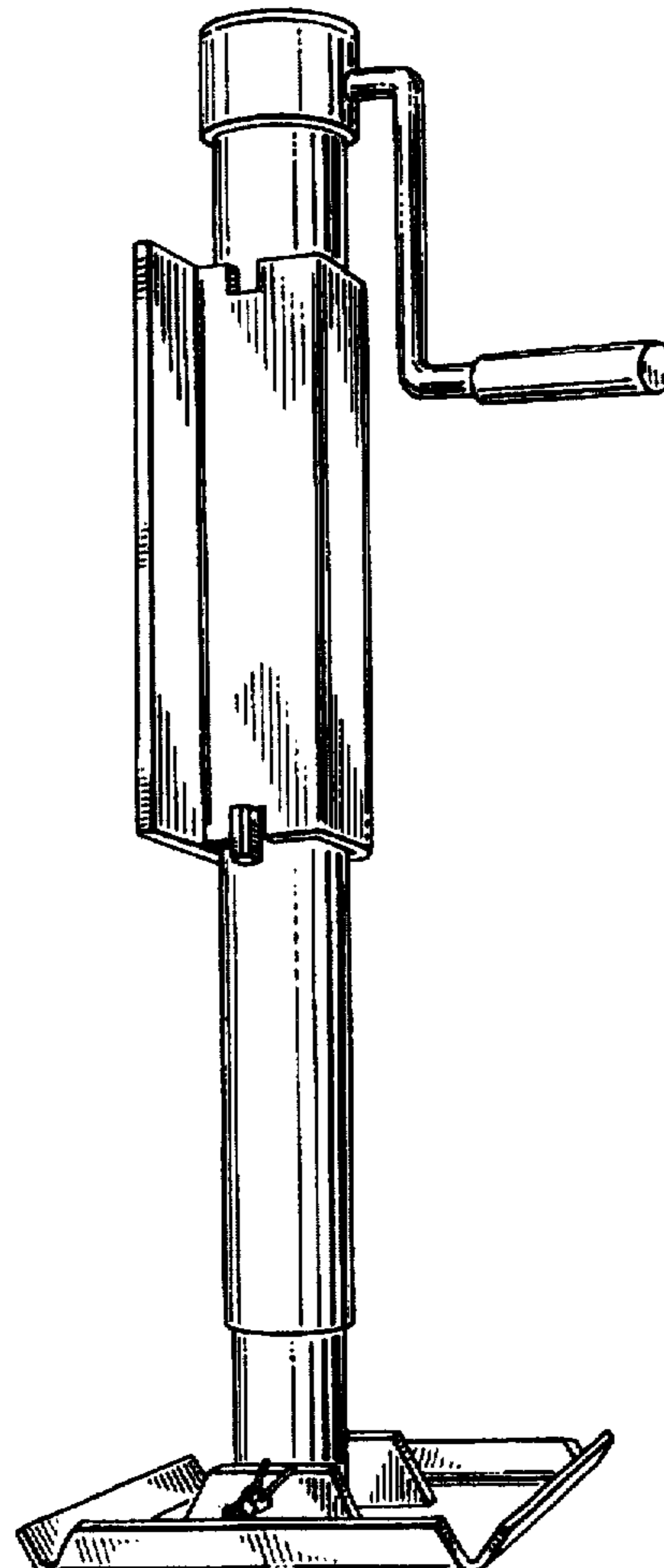
[57] **CLAIM**
The ornamental design for jack, as shown.

DESCRIPTION

FIG. 1 is a perspective of a jack embodying our new design;
FIG. 2 is a right side elevation thereof;
FIG. 3 is a front elevation thereof;
FIG. 4 is a left side elevation thereof;
FIG. 5 is a rear elevation thereof;
FIG. 6 is a top plan thereof; and,
FIG. 7 is a bottom plan thereof.

1 Claim, 2 Drawing Sheets

[56] **References Cited**
U.S. PATENT DOCUMENTS
D. 125,908 3/1941 Akins D34/31
D. 211,040 5/1968 Dobson D34/31
D. 216,144 11/1969 Gillen D34/31
D. 228,300 9/1973 Kearns D34/31
D. 283,414 4/1986 Shedden D34/31 X



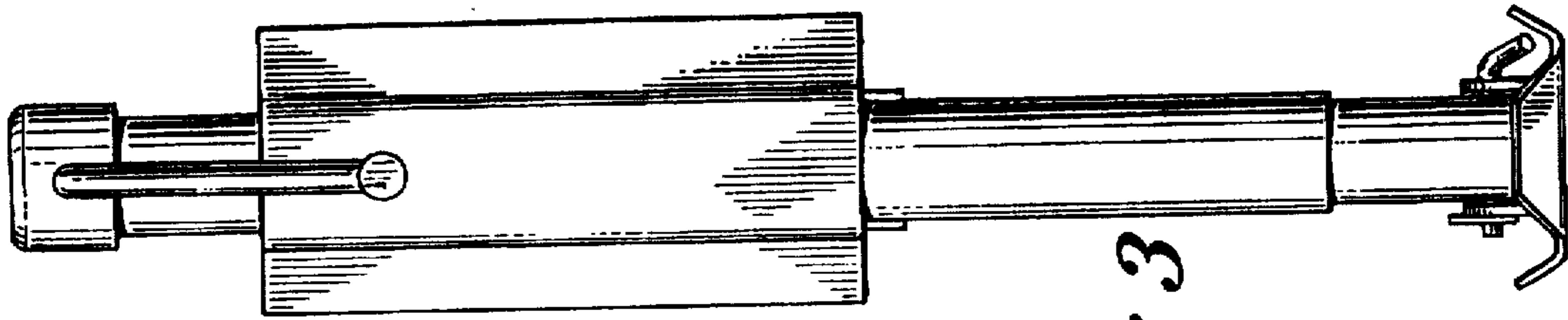


Fig 3

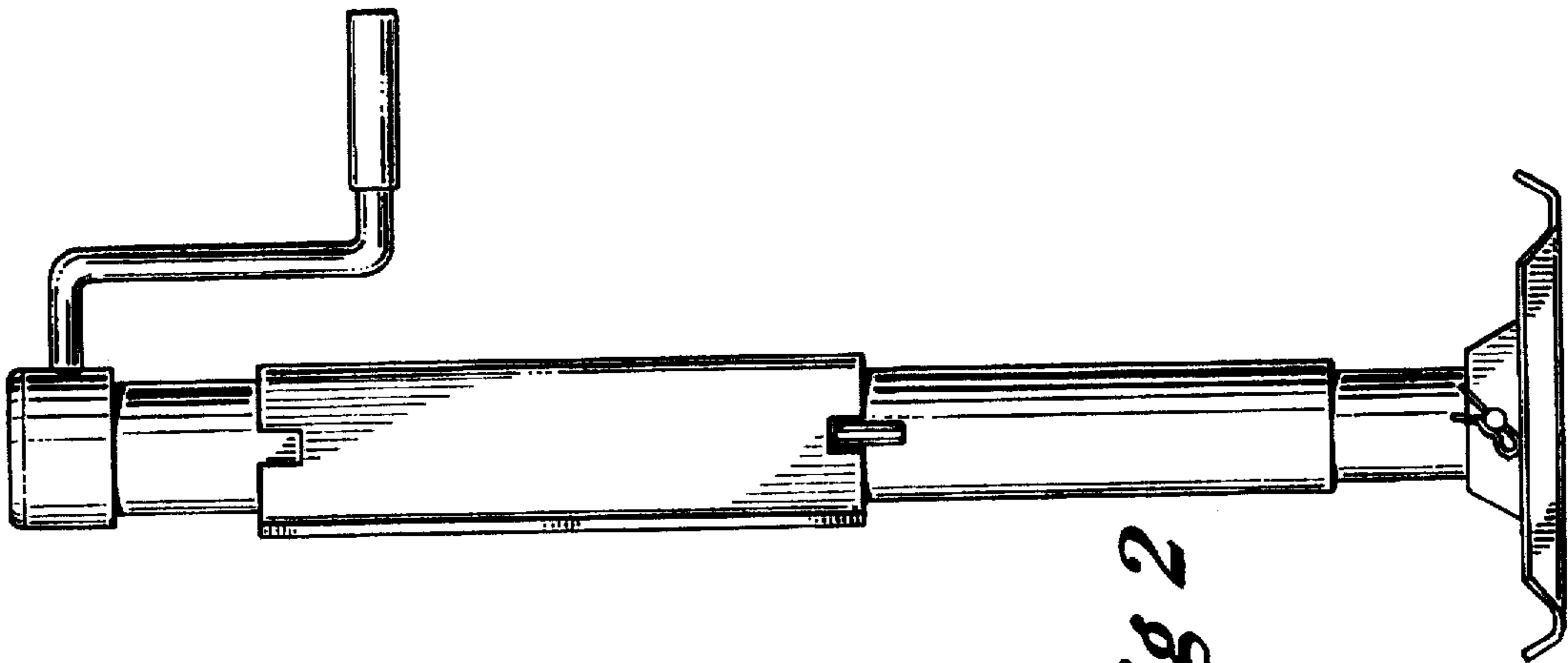


Fig 2

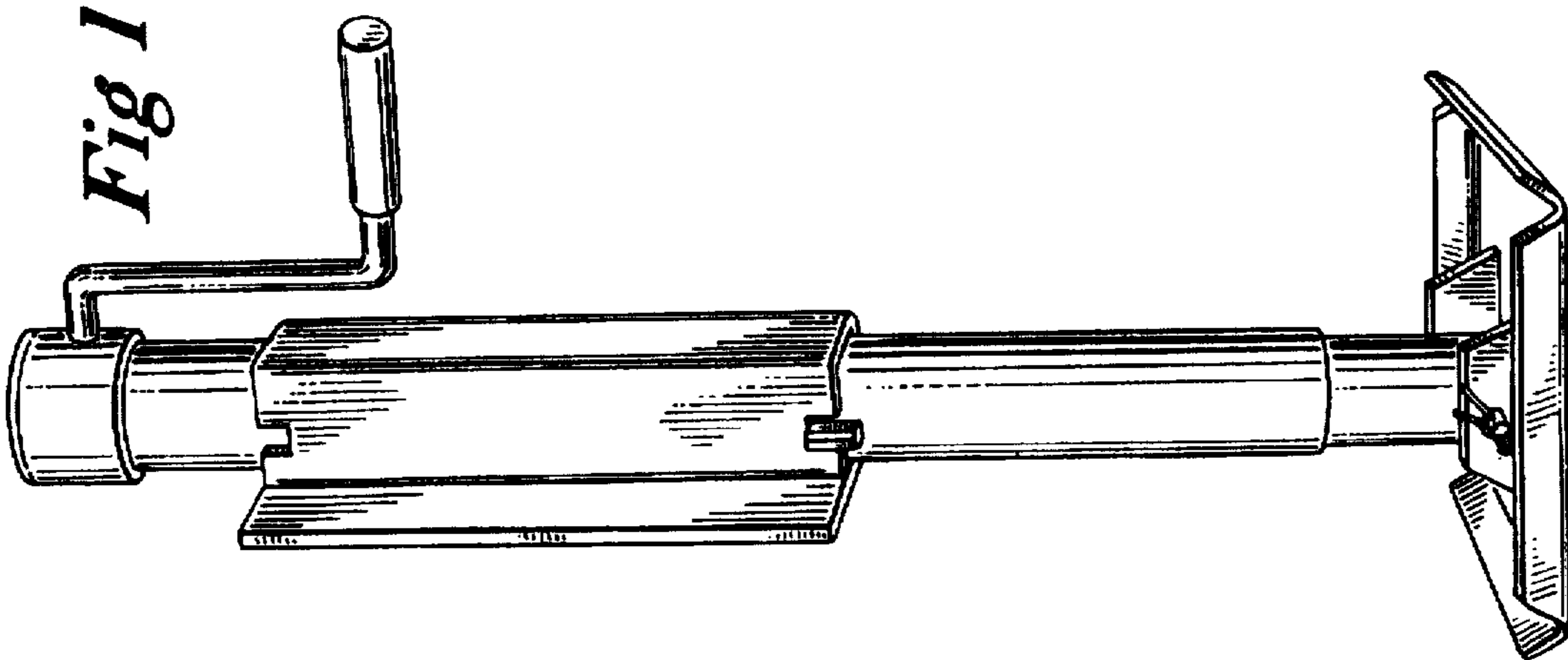


Fig 1

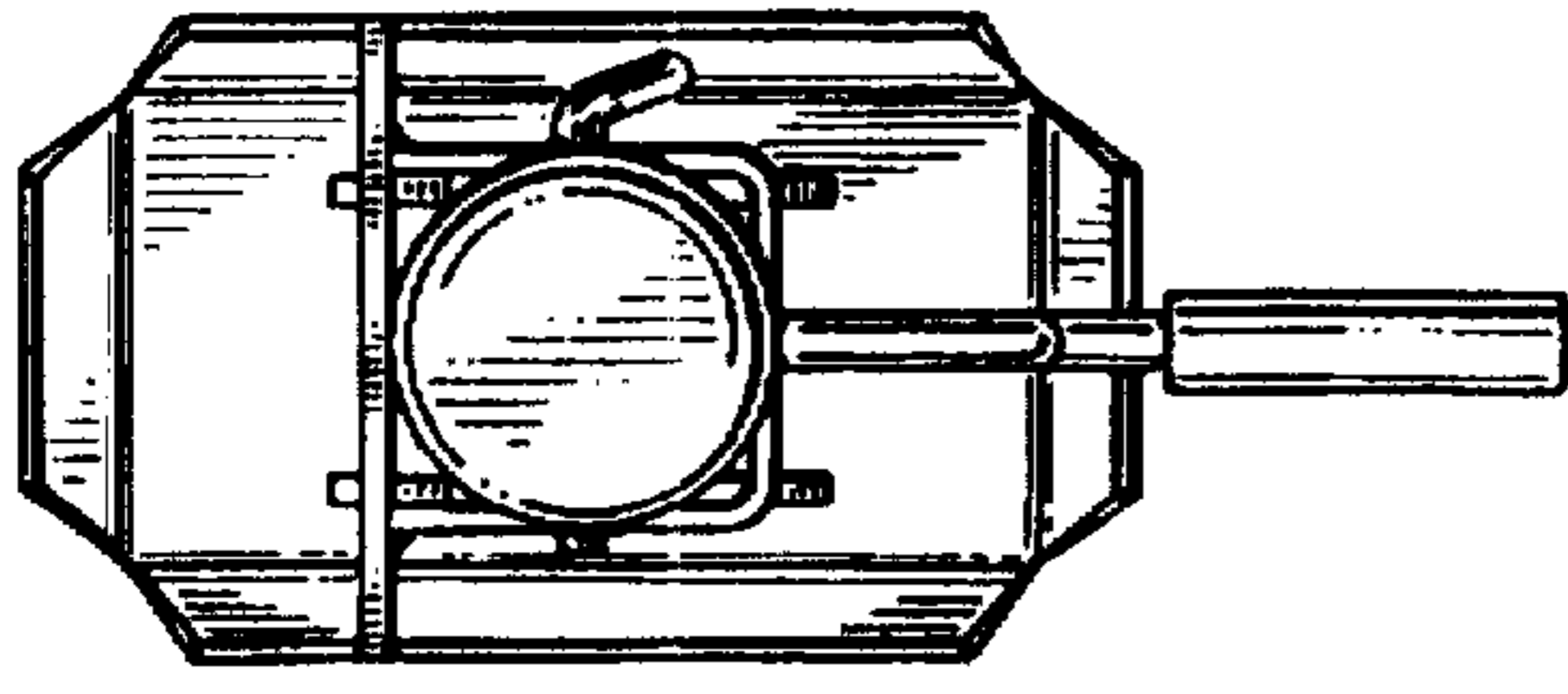


Fig 6

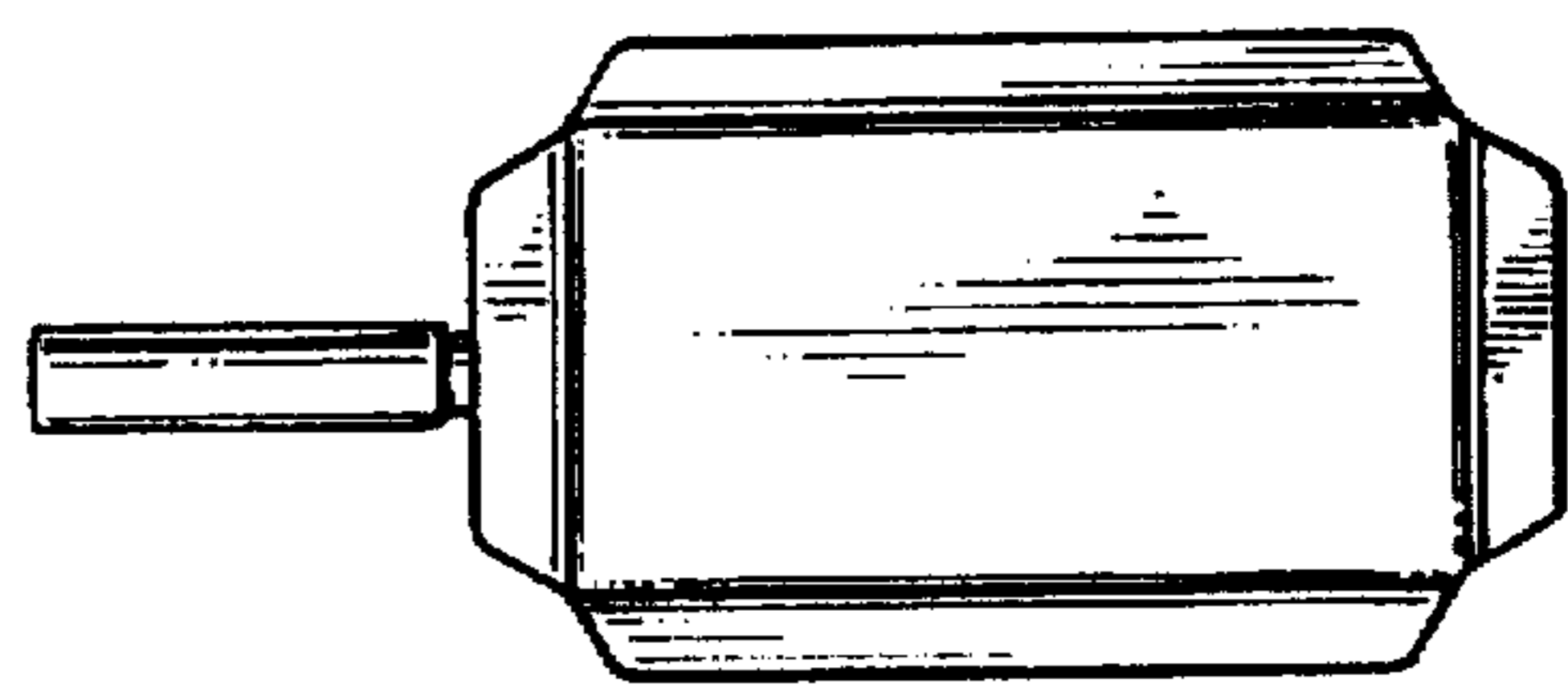


Fig 7

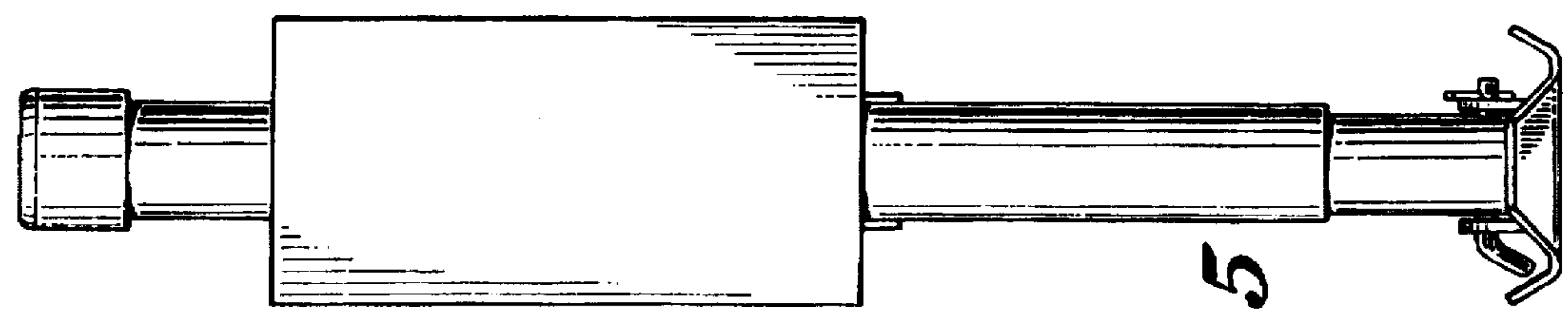


Fig 5

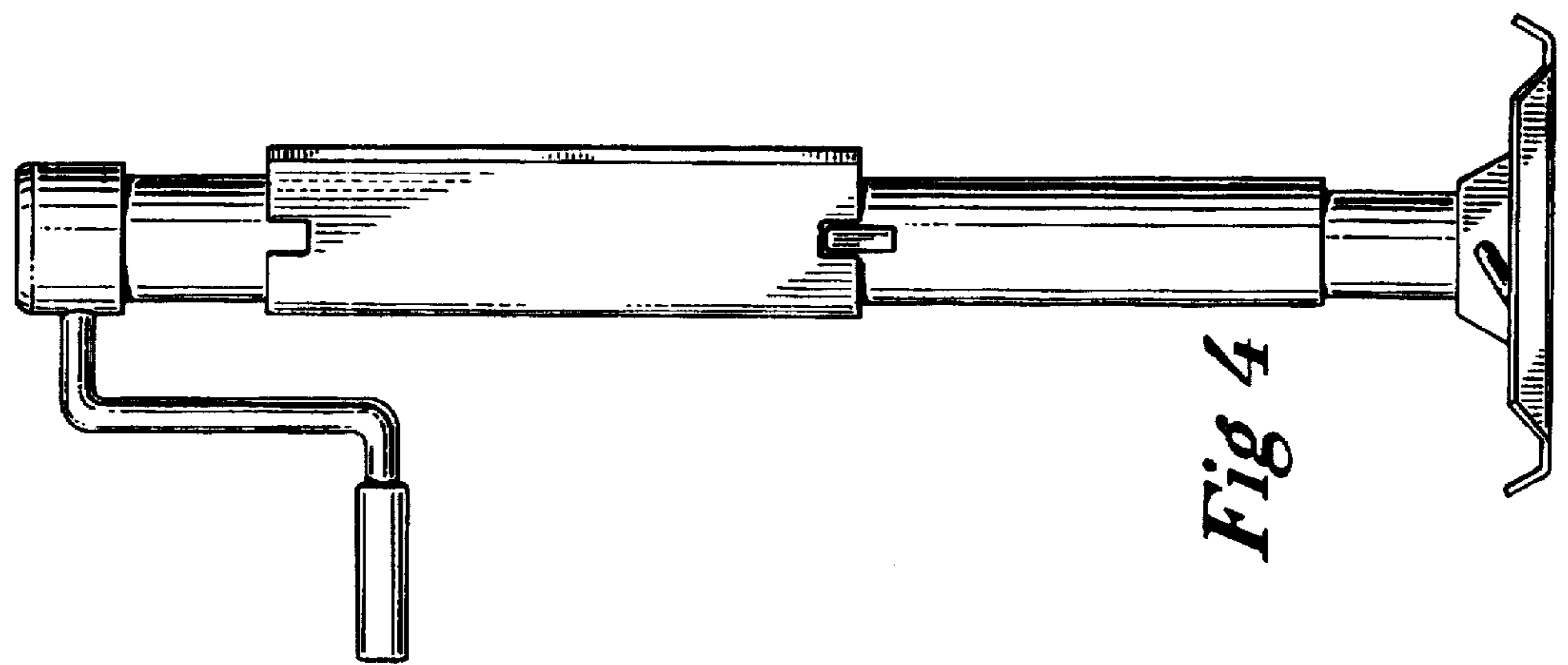


Fig 4