



US00D388924S

# United States Patent [19] Glaun

[11] Patent Number: Des. 388,924  
[45] Date of Patent: \*\*Jan. 6, 1998

[54] ACCELERATOR VANE FOR A CENTRIFUGE

4,334,647	6/1982	Taylor	.....	494/53
4,731,182	3/1988	High	.....	494/54
5,234,400	8/1993	Kluge	.....	494/54
5,380,266	1/1995	Leung et al.	.....	494/53

[75] Inventor: J. Asher Glaun, Sharon, Mass.

[73] Assignee: Baker Hughes Incorporated, Houston, Tex.

Primary Examiner—Alan P. Douglas  
Assistant Examiner—Robin V. Taylor  
Attorney, Agent, or Firm—Trask, Britt & Rossa

[\*\*] Term: 14 Years

### [57] CLAIM

[21] Appl. No.: 40,826

The ornamental design for an accelerator vane for a centrifuge, as shown and described.

[22] Filed: Jun. 27, 1995

[51] LOC (6) Cl. .... 12-05

### DESCRIPTION

[52] U.S. Cl. .... D34/29

[58] Field of Search ..... D34/29; 494/53,  
494/54, 55, 58

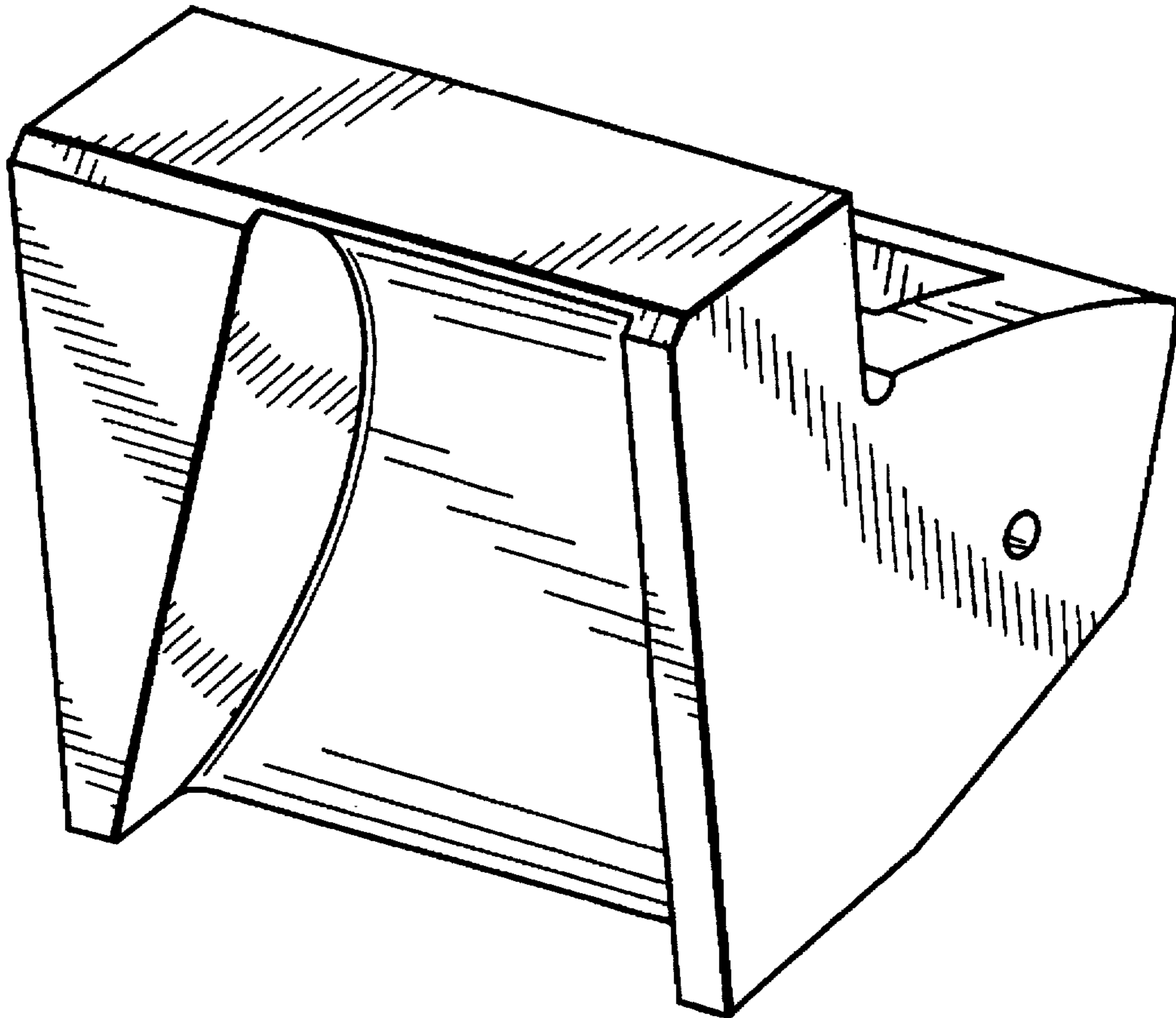
FIG. 1 is a view in perspective of the invention;  
FIG. 2 is a rear view thereof;  
FIG. 3 is a front view thereof;  
FIG. 4 is a right side view thereof;  
FIG. 5 is a left side view thereof;  
FIG. 6 is a bottom view thereof; and,  
FIG. 7 is a top plan view thereof.

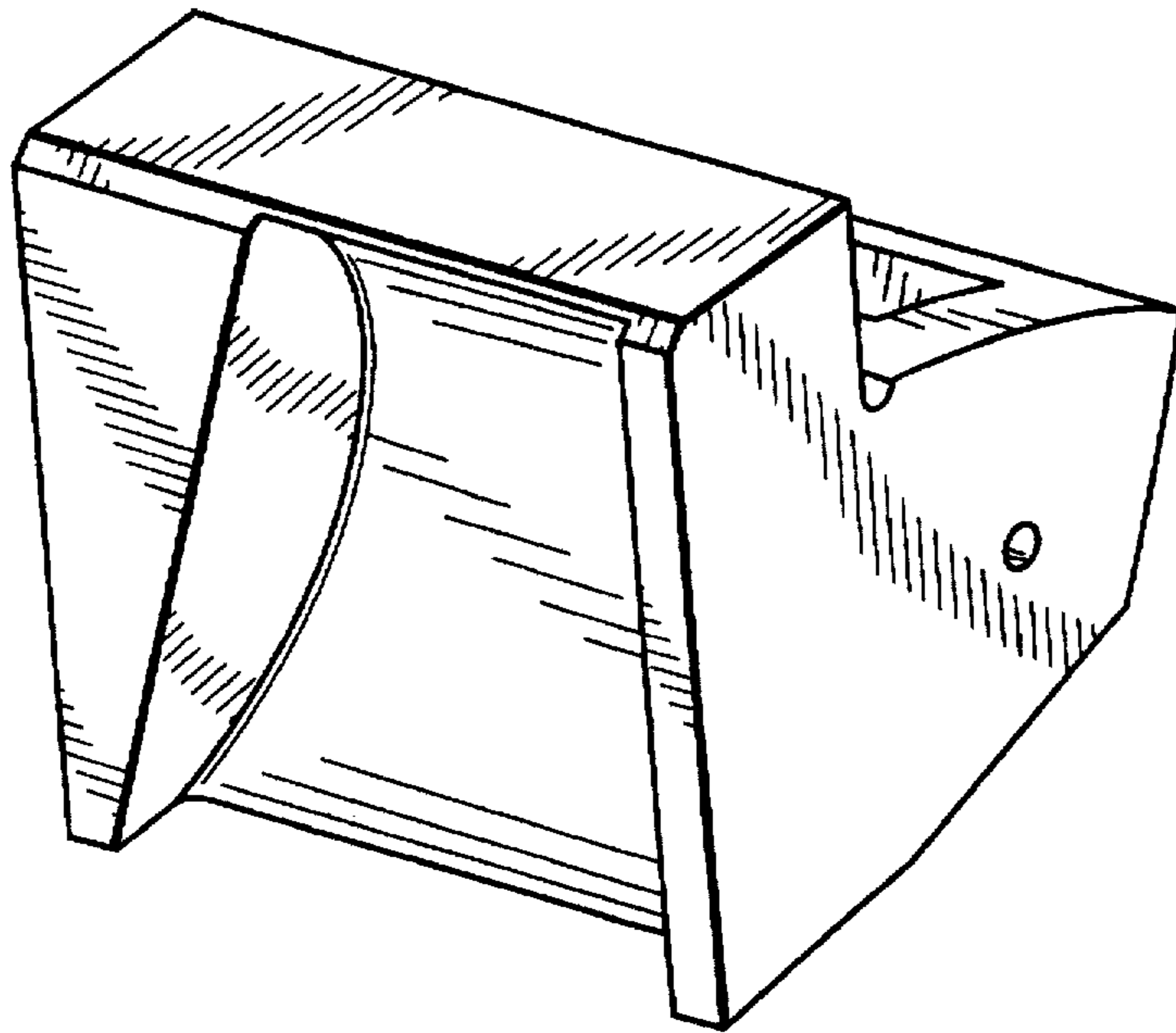
### [56] References Cited

#### U.S. PATENT DOCUMENTS

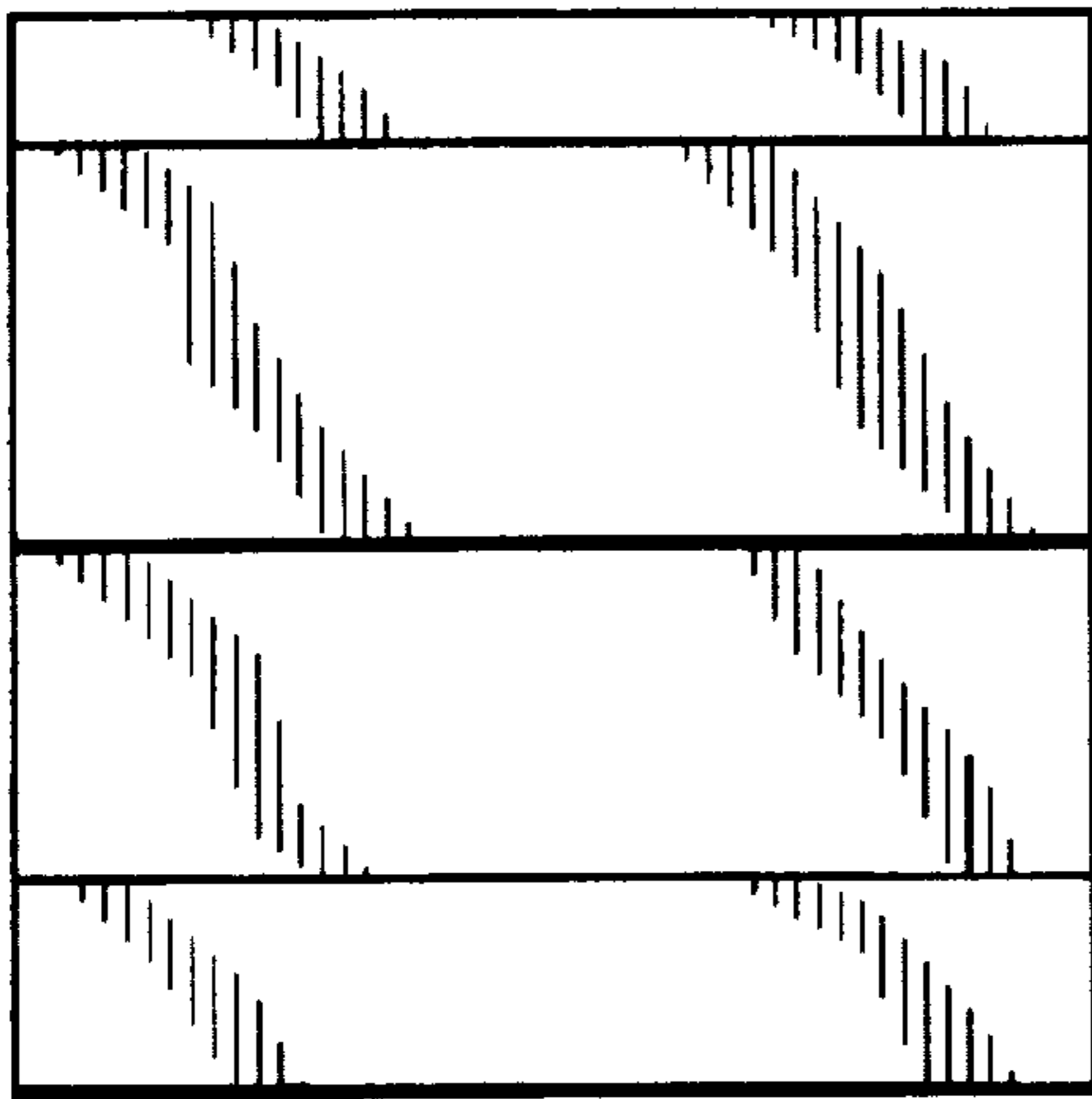
1,307,000	6/1919	Estep	.....	494/55
3,862,714	1/1975	Boadway	.....	494/53
3,937,317	2/1976	Fleury	.....	494/54

1 Claim, 2 Drawing Sheets

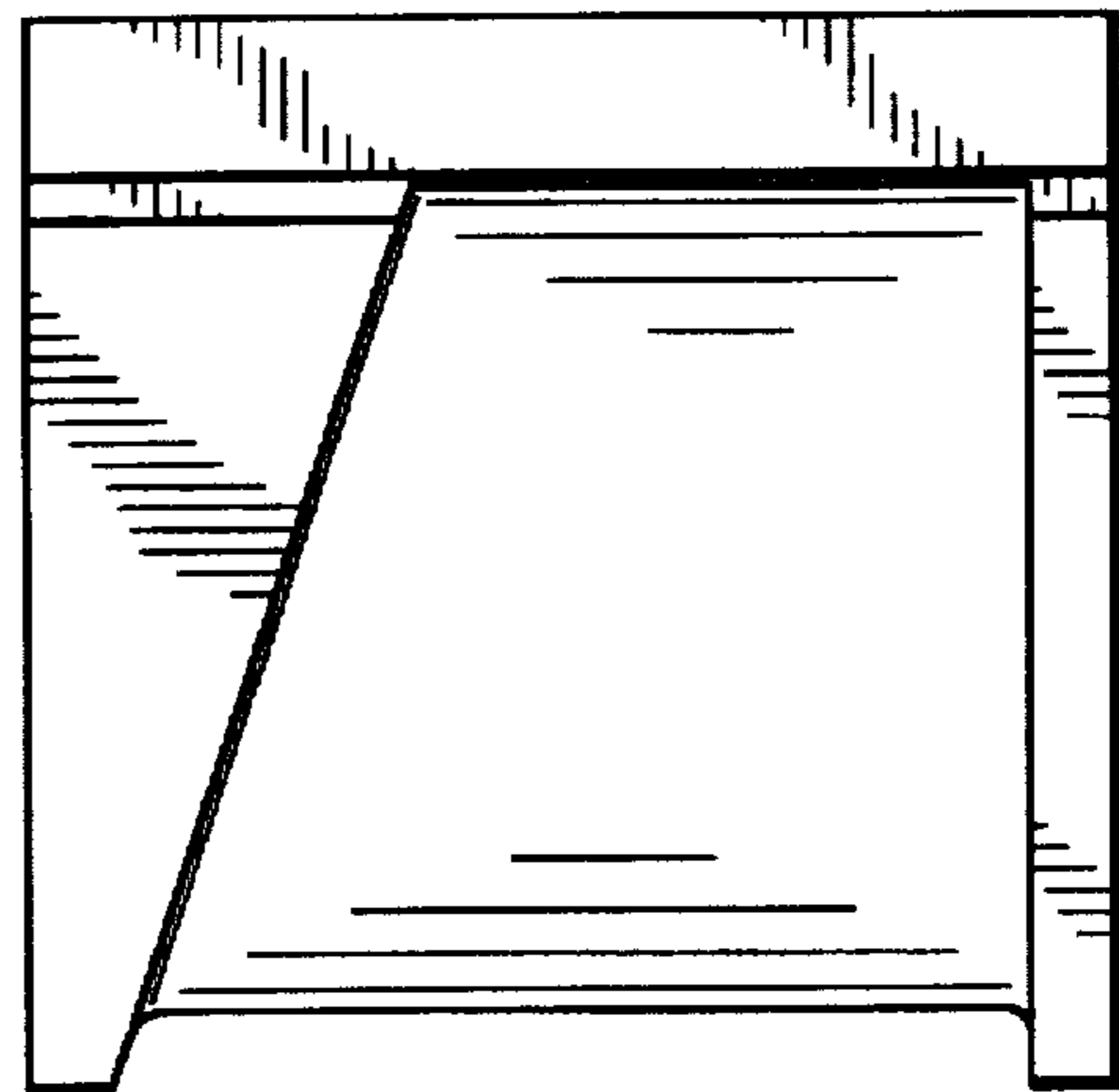




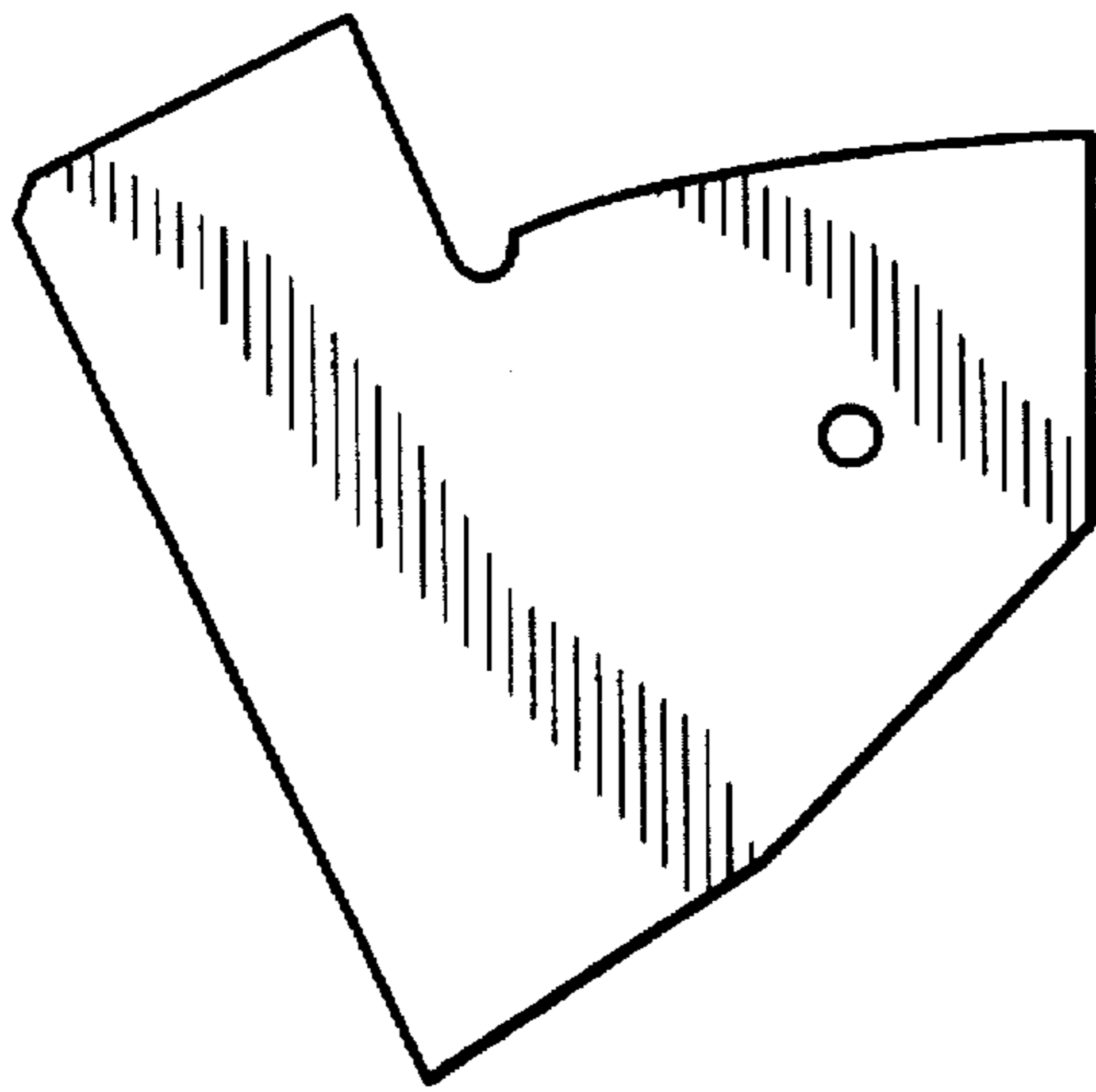
**Fig. 1**



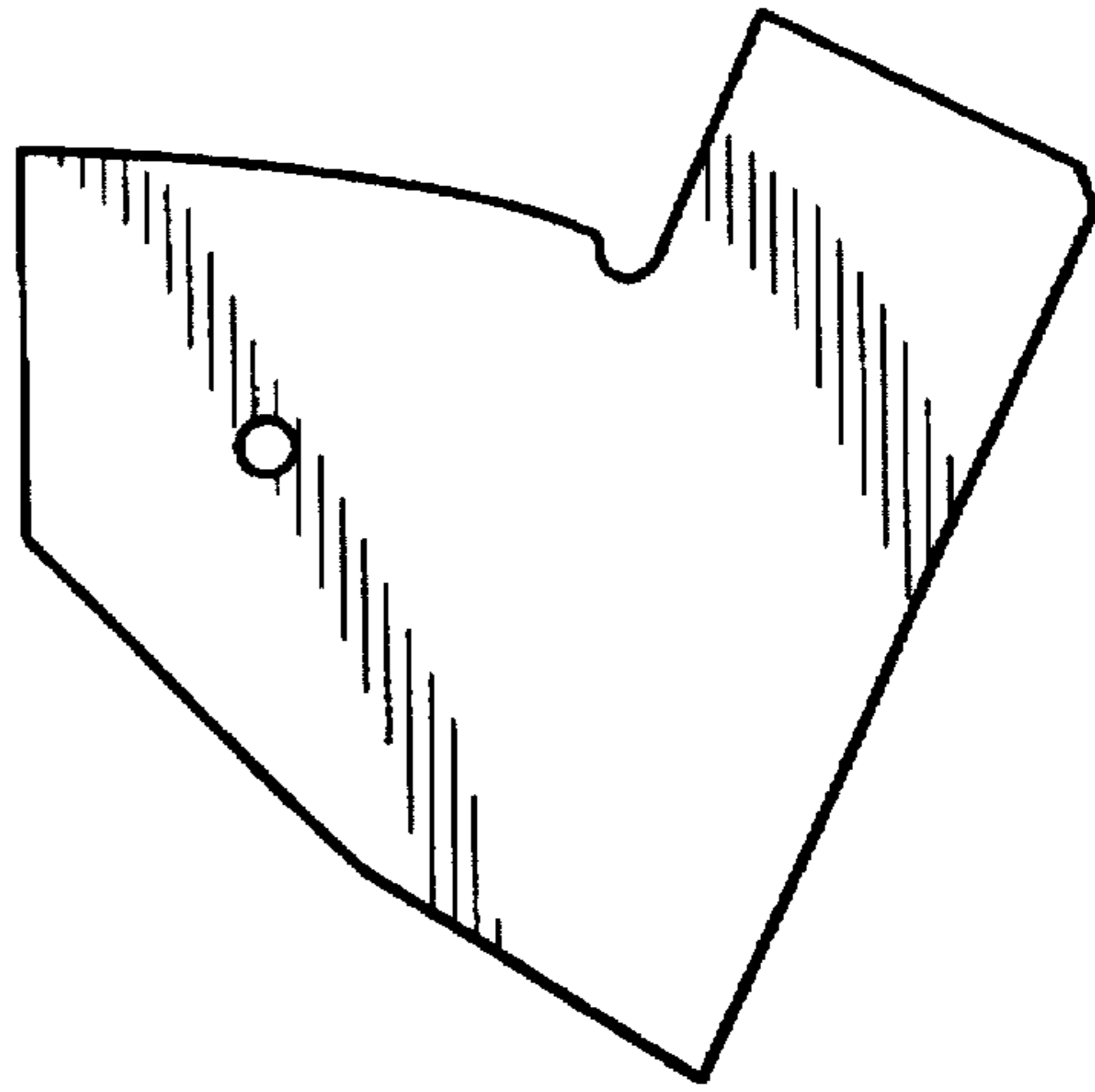
**Fig. 2**



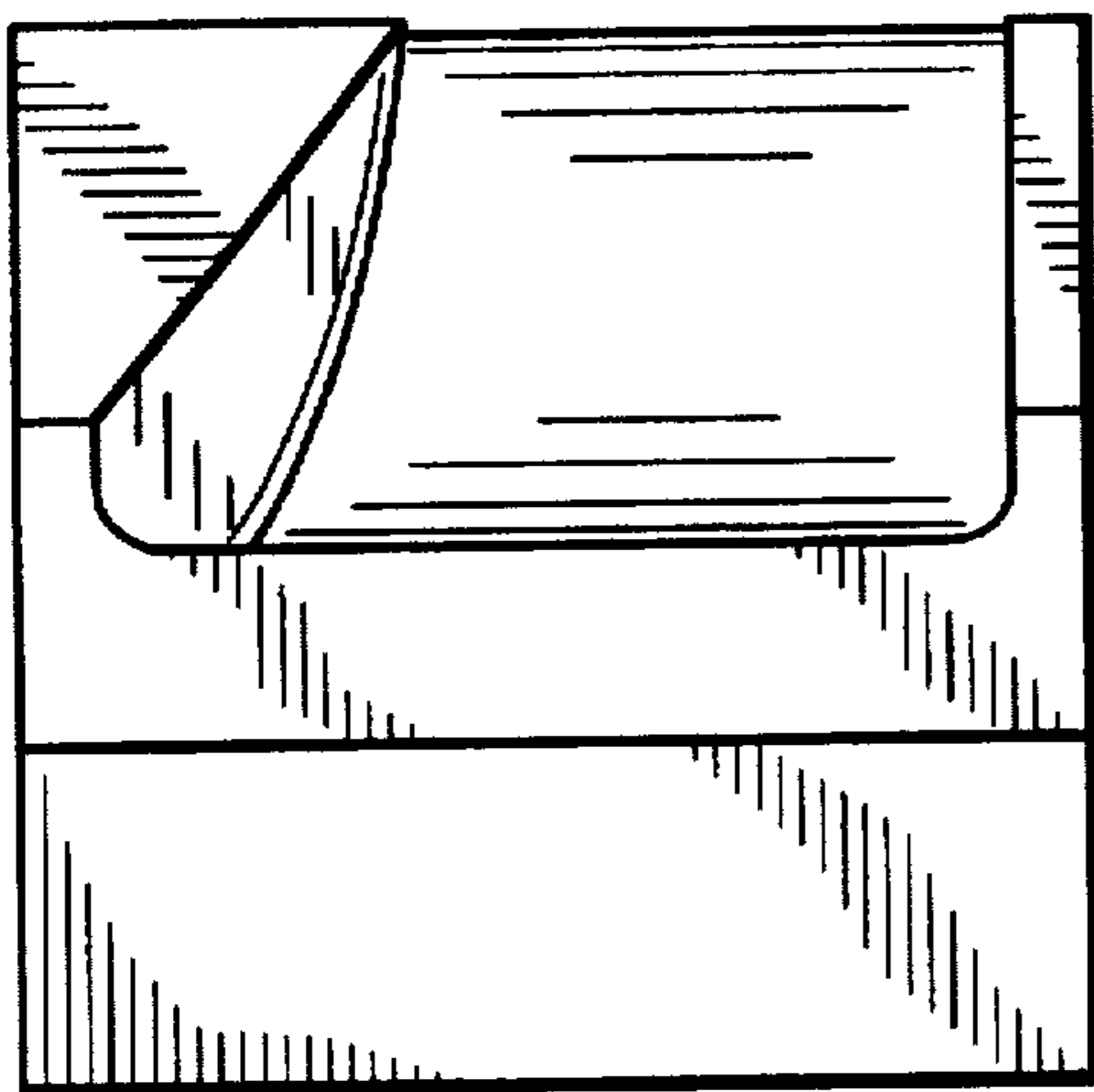
**Fig. 3**



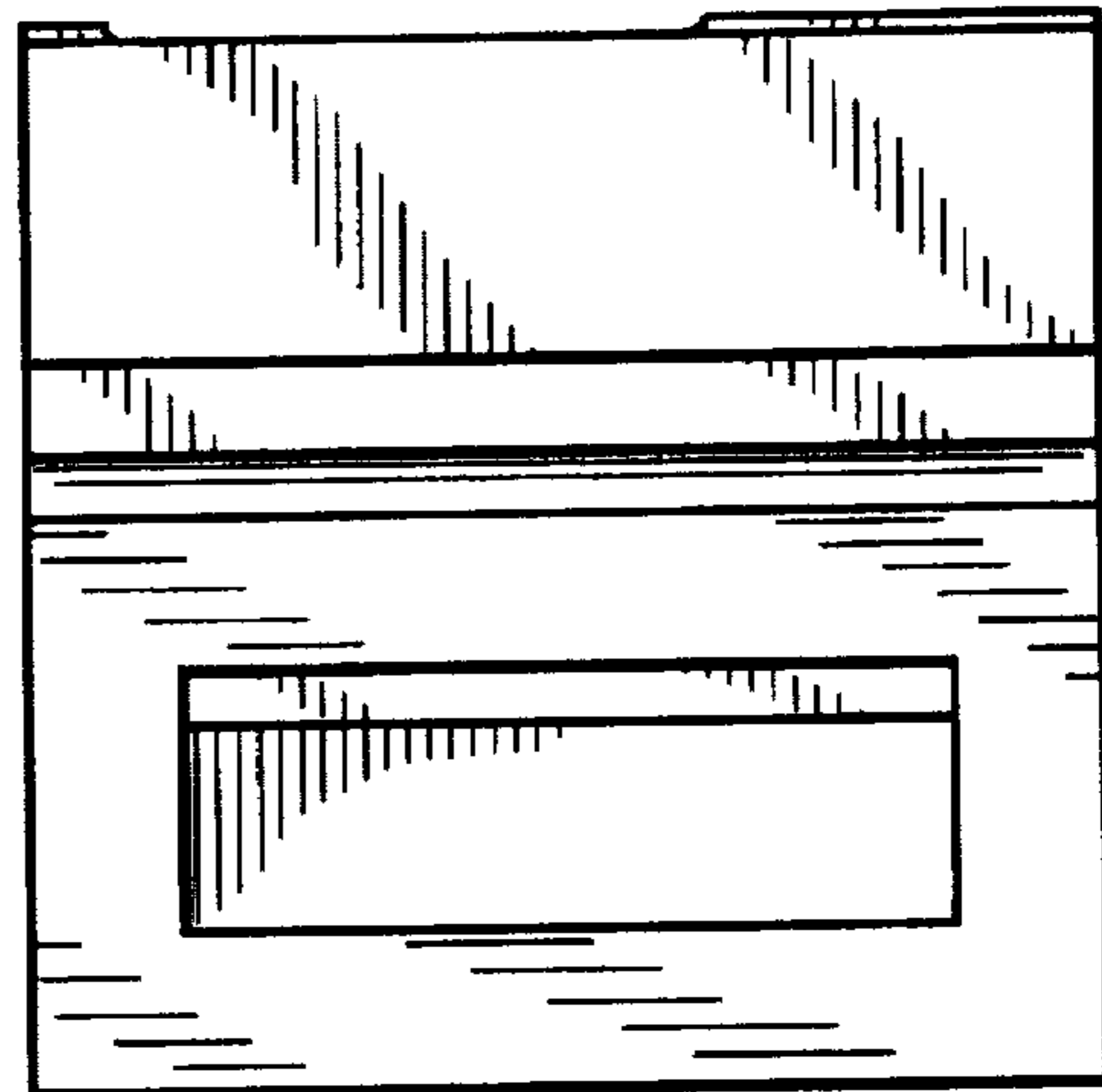
**Fig. 4**



**Fig. 5**



**Fig. 6**



**Fig. 7**