



US00D388916S

# United States Patent [19] Block

[11] Patent Number: Des. 388,916  
[45] Date of Patent: \*\*Jan. 6, 1998

[54] HANDLE FOR A CARPET CLEANING MACHINE  
[75] Inventor: Thomas S. Block, Muskegon, Mich.  
[73] Assignee: Pacific Steamex Cleaning Systems, Inc., Muskegon, Mich.  
[\*\*] Term: 14 Years  
[21] Appl. No.: 57,195  
[22] Filed: Jul. 18, 1996

D. 293,729 1/1988 Soeffker et al. .  
D. 293,950 1/1988 Ogden et al. .  
D. 298,479 11/1988 Jacobs et al. .  
D. 313,095 12/1990 Avecilla et al. .  
D. 318,543 7/1991 Shero .  
D. 332,330 1/1993 Gurstein ..... D32/21  
D. 337,184 7/1993 Bothun et al. .  
D. 337,185 7/1993 Wulff .  
D. 338,292 8/1993 Schmitz et al. .  
D. 338,989 8/1993 Ambrosiano .  
D. 344,374 2/1994 Wulff ..... D32/21  
D. 345,034 3/1994 Fitzwater .  
D. 346,679 5/1994 Bradd et al. .... D32/21  
D. 364,947 12/1995 Kent et al. .... D32/21

### Related U.S. Application Data

[62] Division of Ser. No. 32,774, Dec. 28, 1994, abandoned.  
[51] LOC (6) Cl. .... 15-05  
[52] U.S. Cl. .... D32/34  
[58] Field of Search ..... D32/21, 22, 23,  
D32/34; 15/320, 321, 353, 340.2, 327.1,  
327.2, 327.5-327.7

Primary Examiner—Ruth McInroy  
Attorney, Agent, or Firm—Rader, Fishman, Grauer & McGarry

### [57] CLAIM

The ornamental design for a handle for a carpet cleaning machine, as shown and described.

### DESCRIPTION

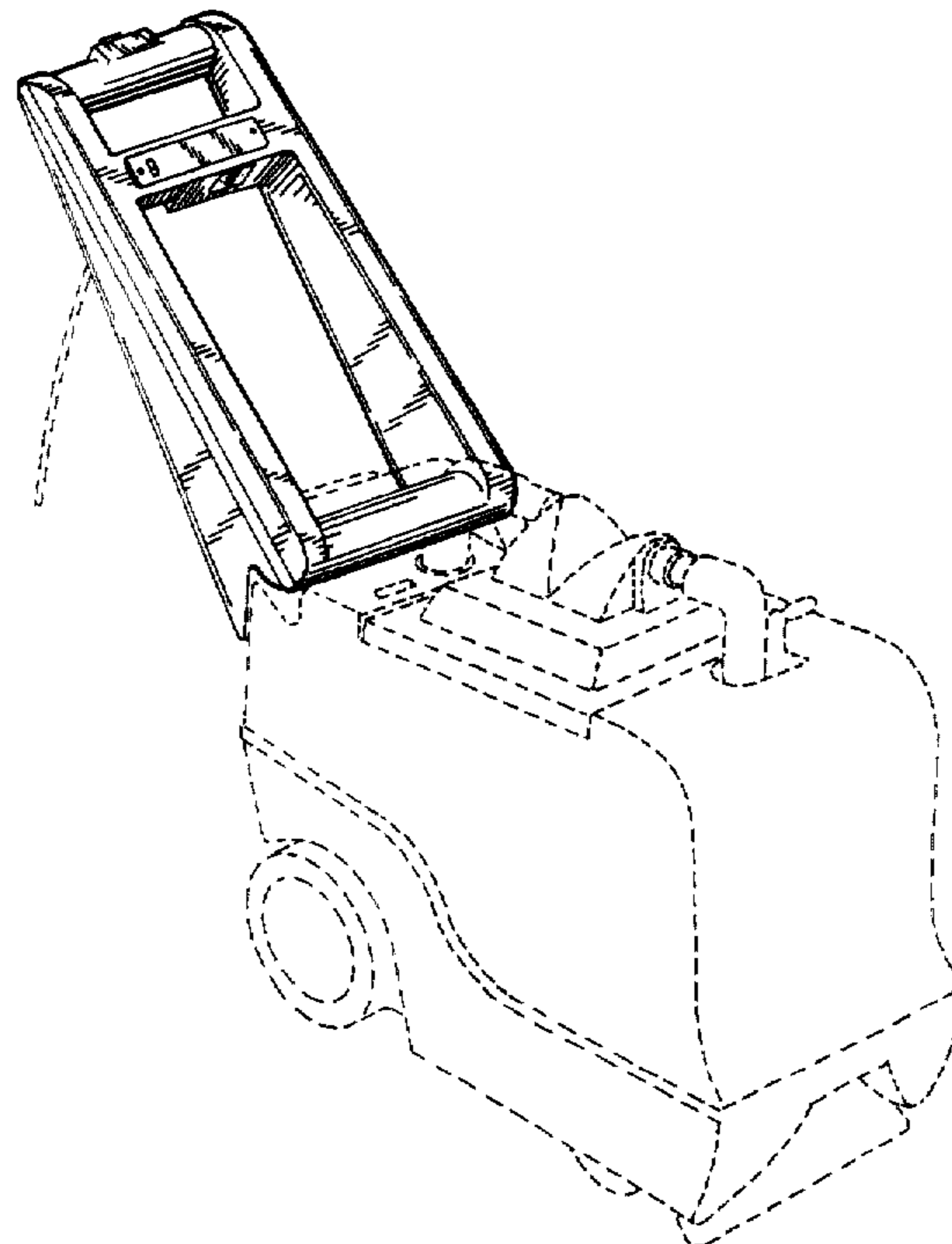
FIG. 1 is a perspective view of a handle for a carpet cleaning machine showing my new design;  
FIG. 2 is a side elevational view thereof, the opposite side view being a mirror image thereof;  
FIG. 3 is a front elevational view thereof;  
FIG. 4 is a back elevational view thereof;  
FIG. 5 is a top plan view thereof; and,  
FIG. 6 is a bottom view thereof.  
The details shown in broken lines in all views are shown for illustrative purposes only and form no part of the claimed design.

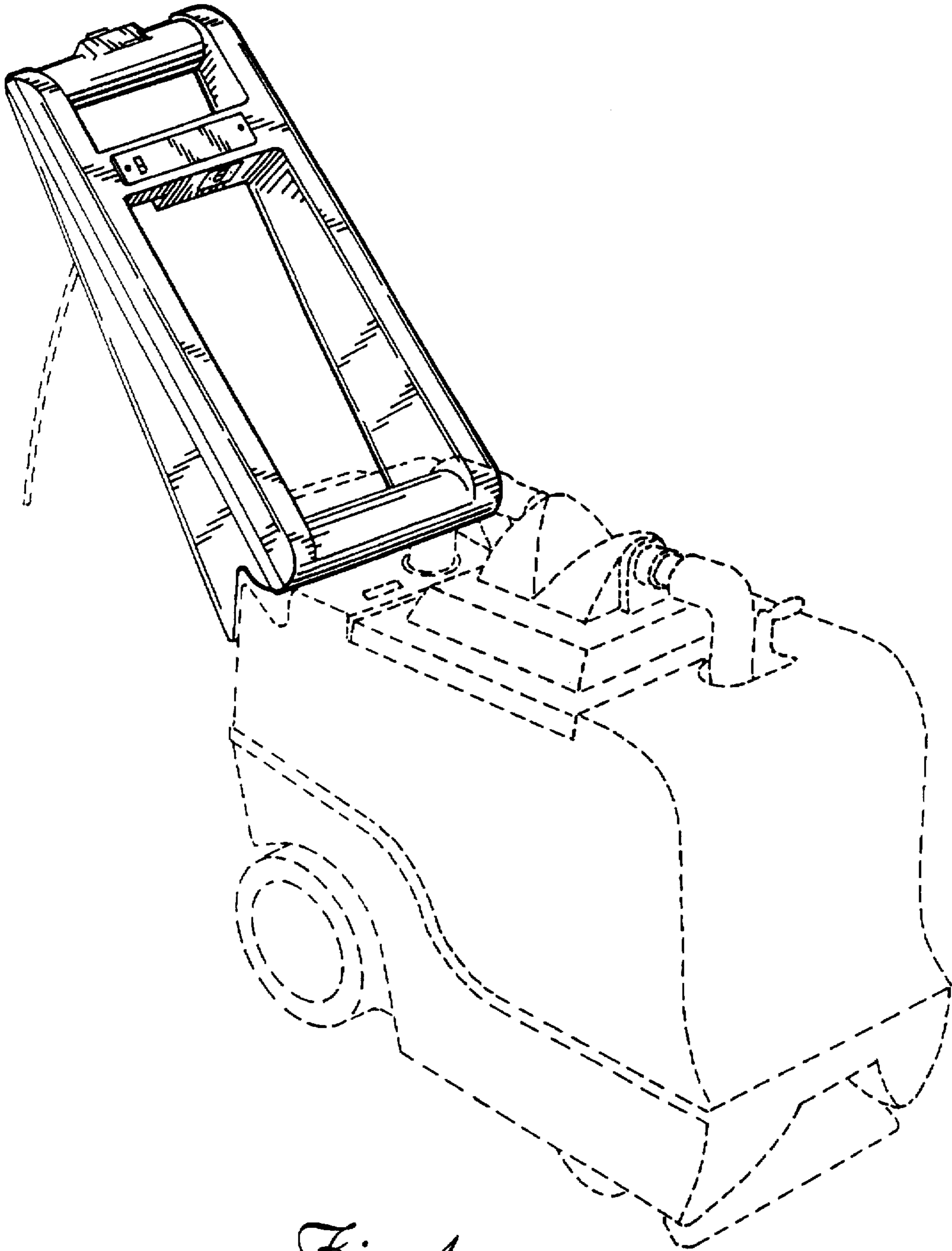
### [56] References Cited

#### U.S. PATENT DOCUMENTS

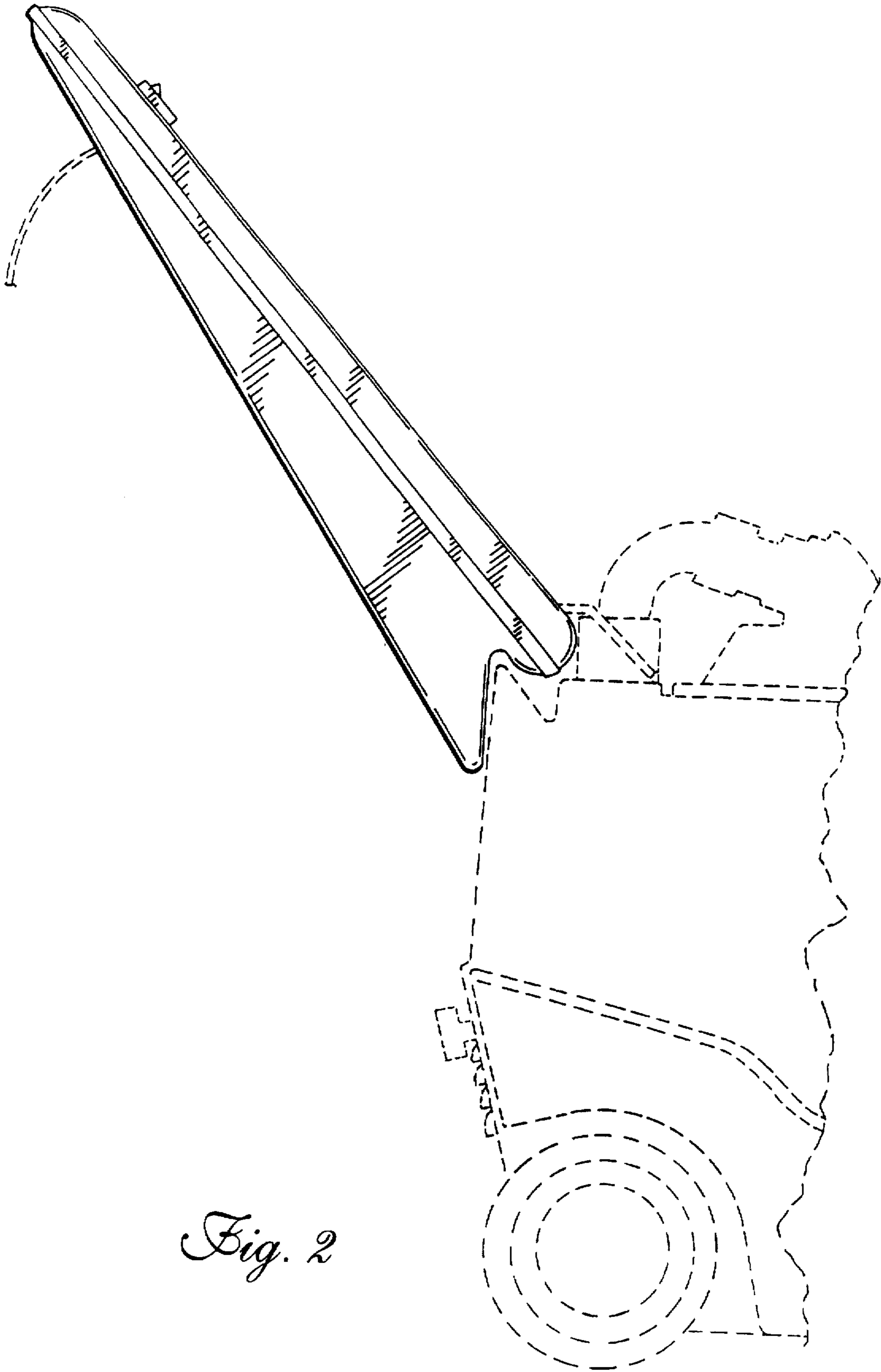
D. 202,257 9/1965 Frost et al. .... D32/34  
D. 254,788 4/1980 Nauta .  
D. 258,064 1/1981 Pearman, Jr. .  
D. 258,132 2/1981 Levy .  
D. 264,591 5/1982 Jacobs .  
D. 270,960 10/1983 Parise et al. .  
D. 274,850 7/1984 Smith .  
D. 274,851 7/1984 Schmitz .  
D. 276,472 11/1984 Harrison .  
D. 281,919 12/1985 Bailey et al. .  
D. 287,653 1/1987 Nelson .  
D. 292,336 10/1987 Kieft et al. .

1 Claim, 5 Drawing Sheets

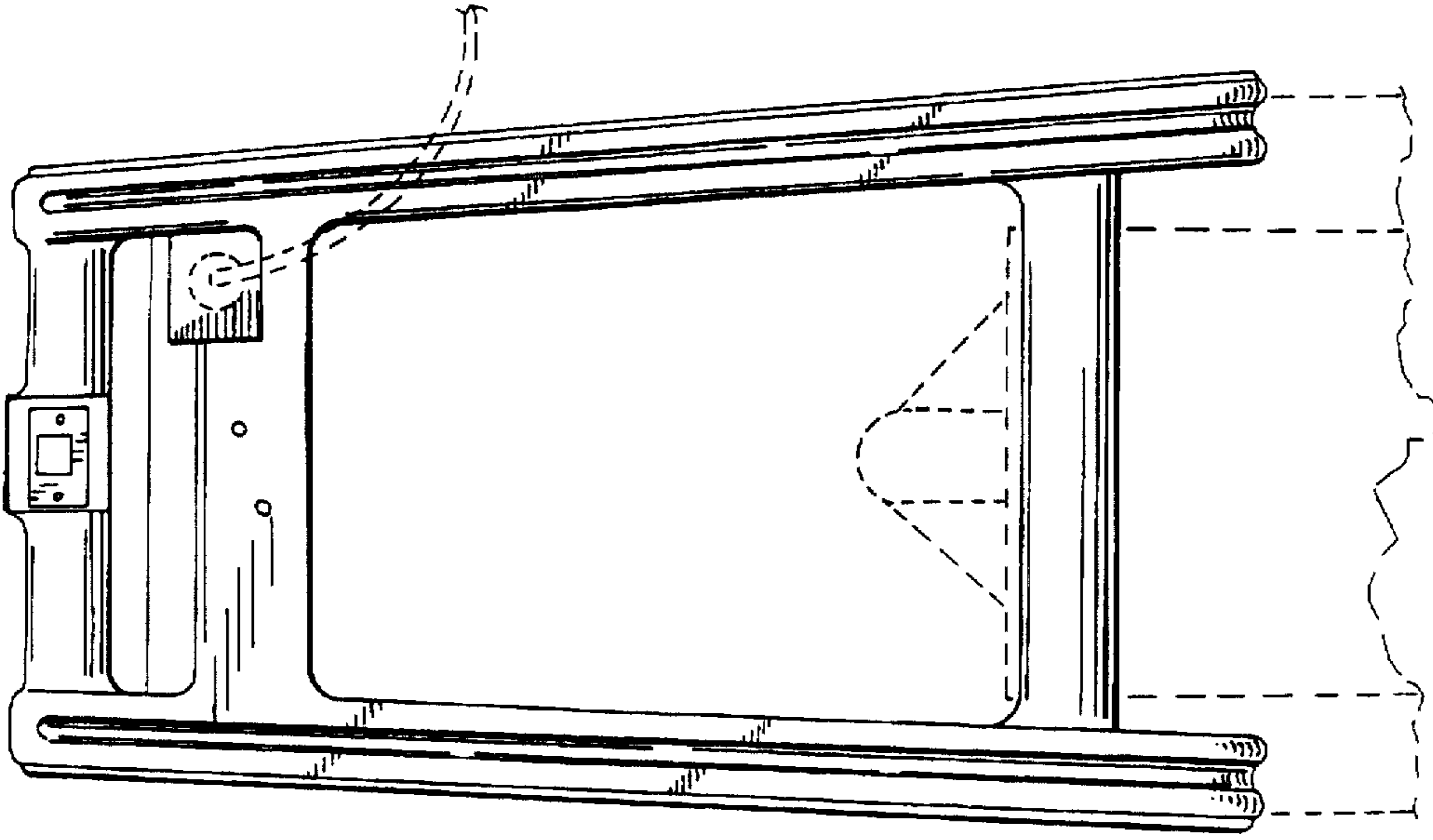




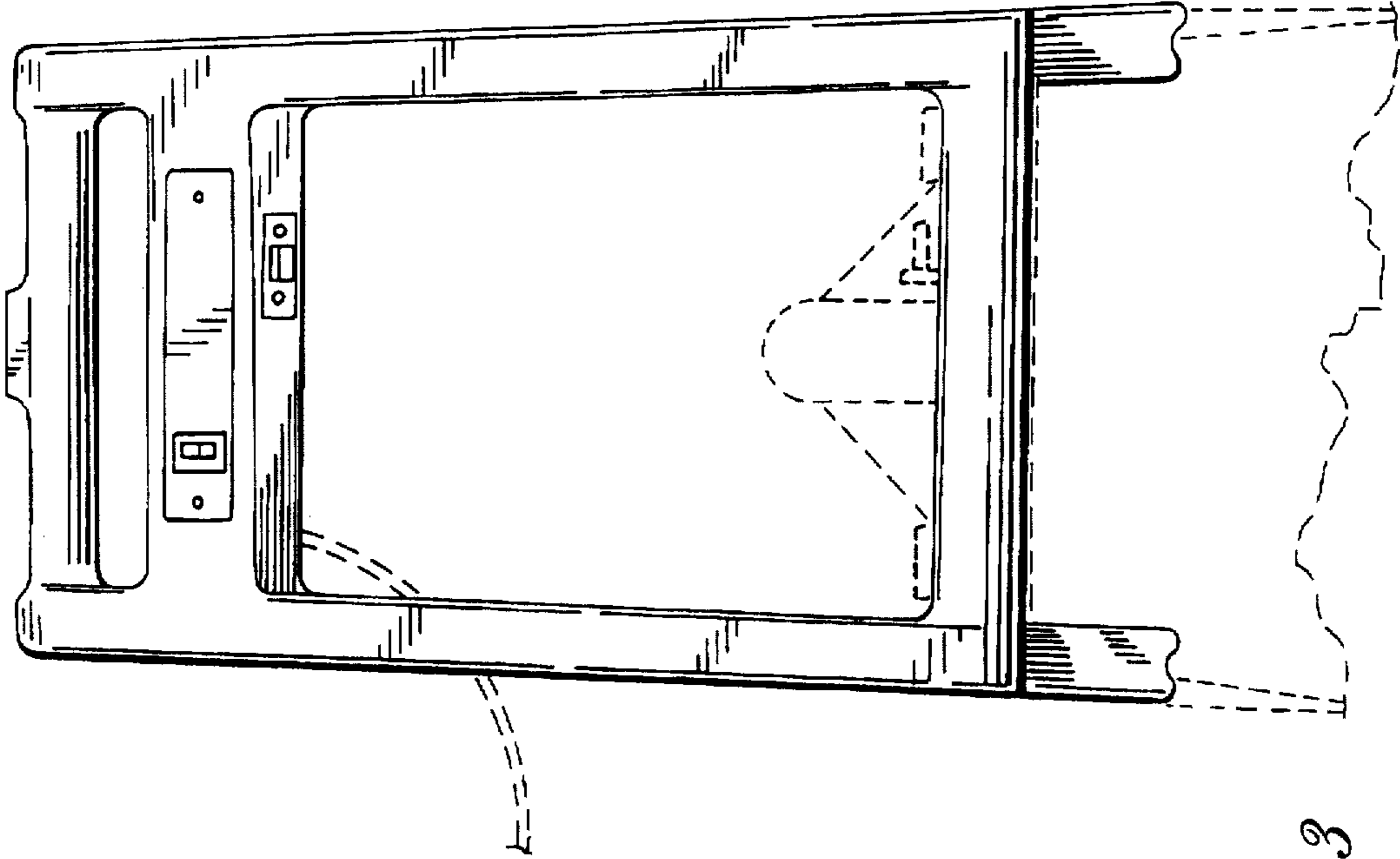
*Fig. 1*



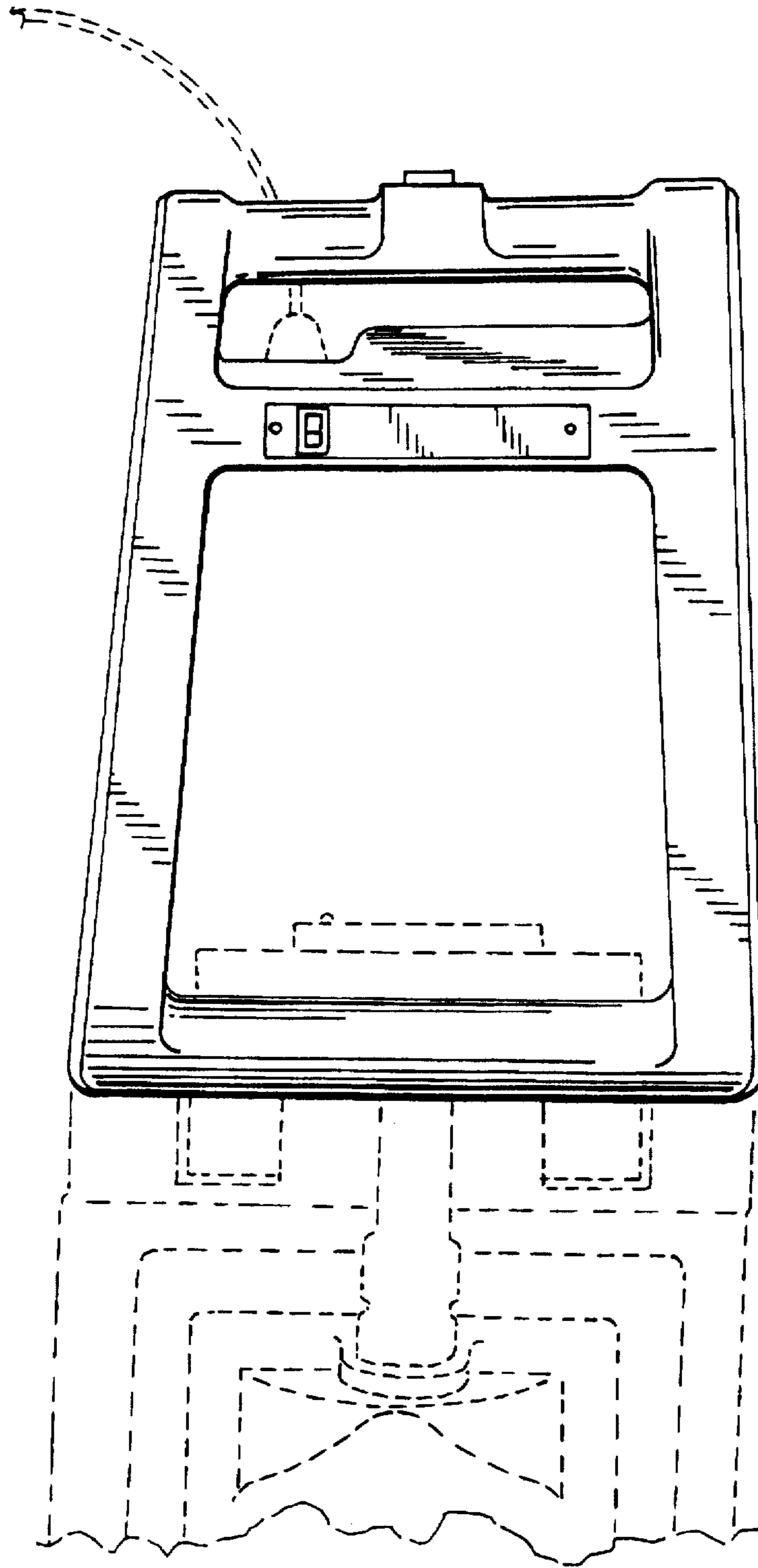
*Fig. 2*



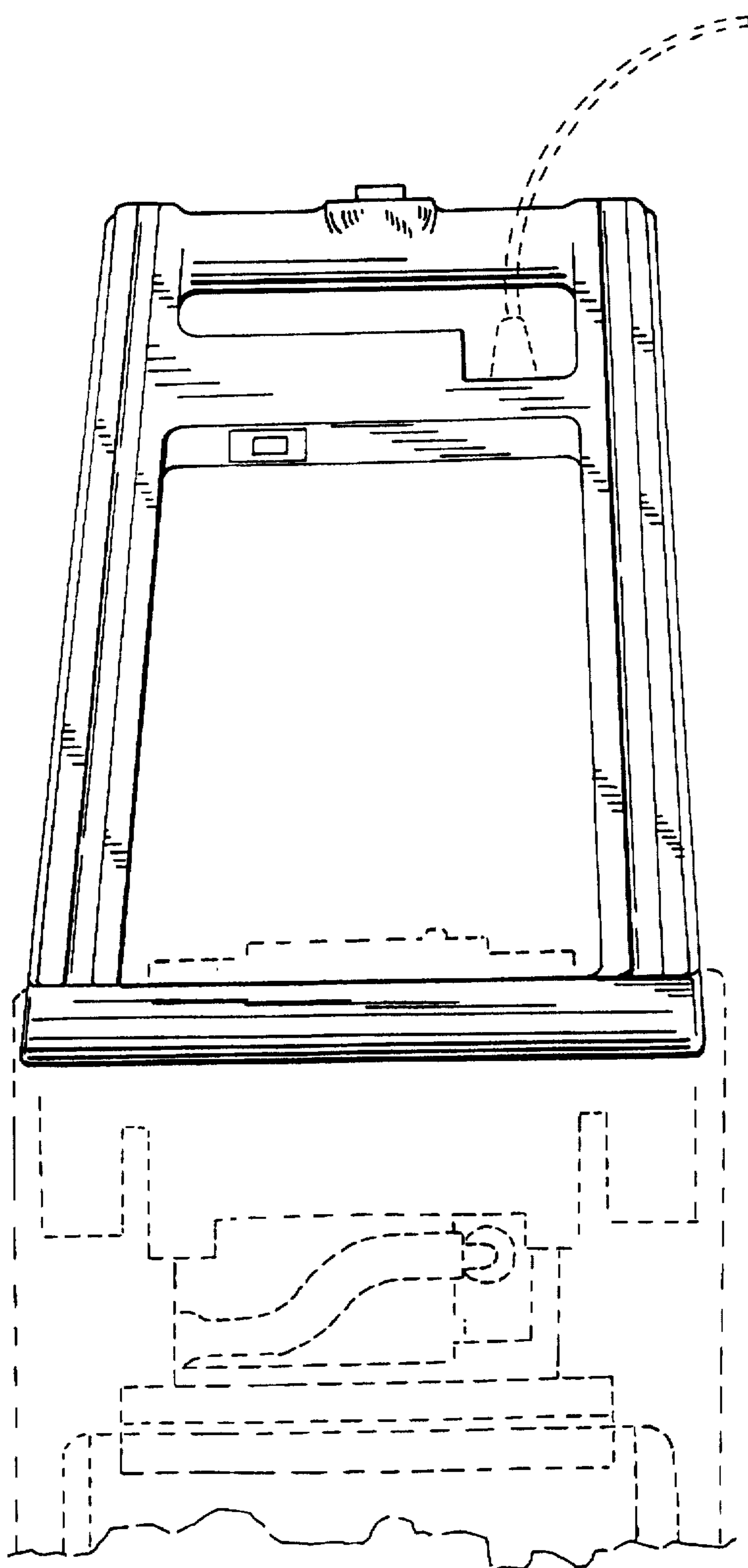
*Fig. 4*



*Fig. 3*



*Fig. 5*



*Fig. 6*