



US00D388915S

United States Patent [19] Wareham

[11] Patent Number: **Des. 388,915**
[45] Date of Patent: ****Jan. 6, 1998**

[54] VACUUM CLEANER UPPER PORTION

[75] Inventor: **Richard A. Wareham**, North Canton, Ohio

[73] Assignee: **The Hoover Company**, North Canton, Ohio

[**] Term: **14 Years**

[21] Appl. No.: **64,181**

[22] Filed: **Dec. 23, 1996**

[51] LOC (6) Cl. **15-05**

[52] U.S. Cl. **D32/31; D32/22**

[58] Field of Search **D32/22, 31-34, D32/21; 15/335, 347, 350, 351, 320, 323, 327.2, 336**

[56] References Cited

U.S. PATENT DOCUMENTS

D. 260,900	9/1981	Kao	D32/22
D. 278,560	4/1985	Wareham	D32/22
D. 293,728	1/1988	Ohhira et al.	D32/22
D. 299,176	12/1988	Bowerman et al.	D32/22
D. 301,649	6/1989	Yamamoto et al.	D32/22
D. 314,847	2/1991	Shouji et al.	D32/22
D. 325,658	4/1992	Brewin	D32/22
D. 328,372	7/1992	Kieft	D32/31

D. 339,433	9/1993	Stein et al.	D32/22
D. 342,591	12/1993	Shouji et al.	D32/22
D. 344,821	3/1994	McKnight	D32/31
D. 346,053	4/1994	Hoshino	D32/31
D. 349,371	8/1994	Furcron et al.	D32/32
D. 357,096	4/1995	Wareham	D32/31
D. 361,181	8/1995	Wareham et al.	D32/31

FOREIGN PATENT DOCUMENTS

D71782 10/1992 Canada .

Primary Examiner—Ruth McInroy
Attorney, Agent, or Firm—A. Burgess Lowe; Richardson B. Farley

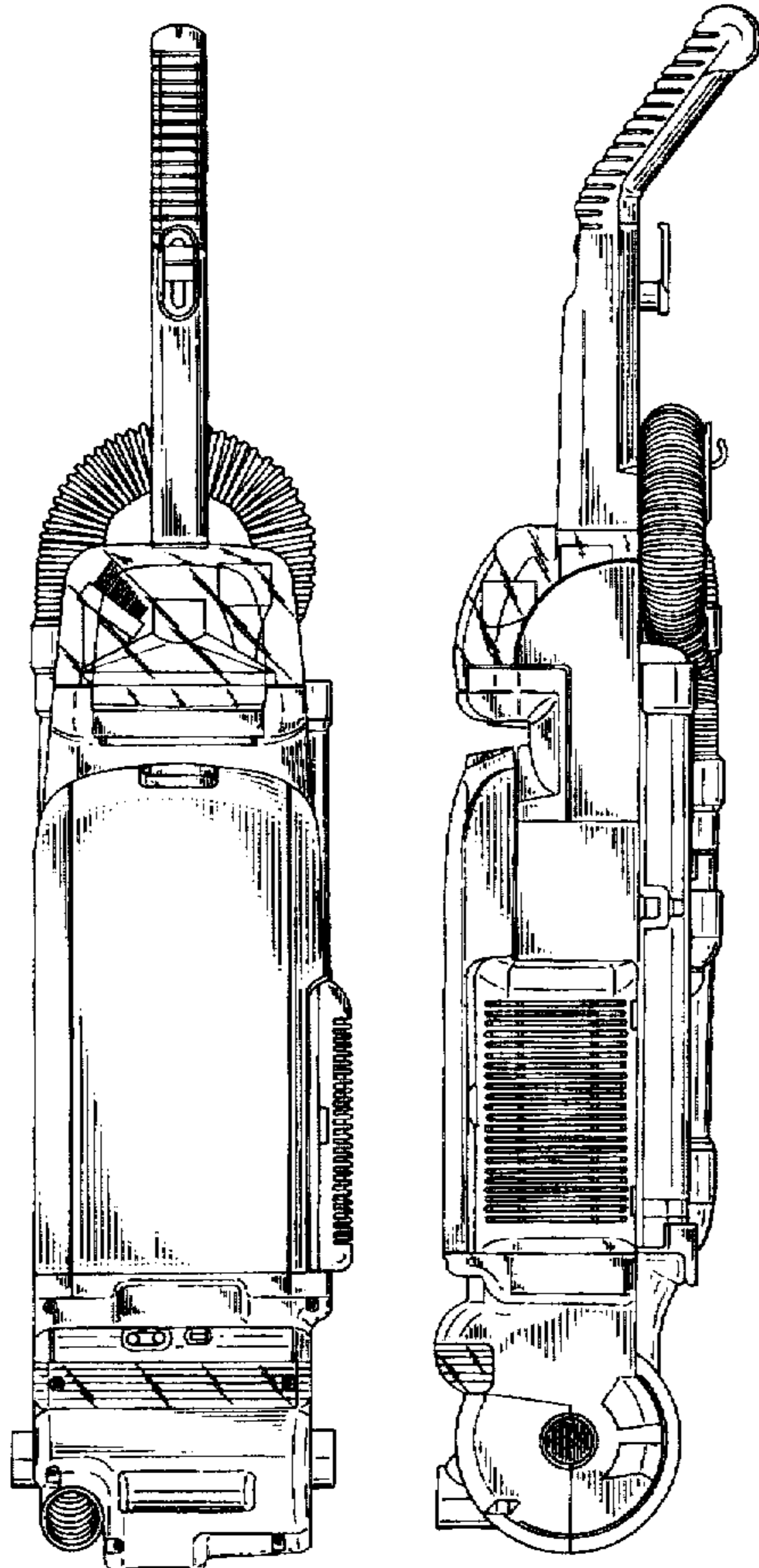
[57] CLAIM

The ornamental design of a vacuum cleaner upper portion, as shown and described.

DESCRIPTION

FIG. 1 is a front elevational view of a vacuum cleaner upper portion showing my new design;
FIG. 2 is a right side elevational view thereof;
FIG. 3 is a left side elevational view thereof;
FIG. 4 is a top plan view thereof;
FIG. 5 is a bottom plan view thereof; and,
FIG. 6 is a rear elevational view thereof.

1 Claim, 2 Drawing Sheets



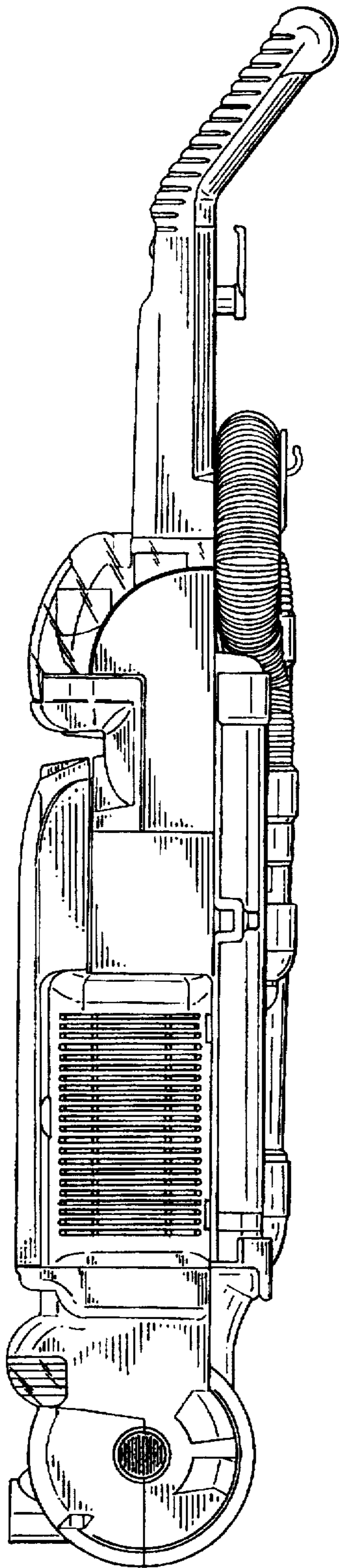


FIG. - 2

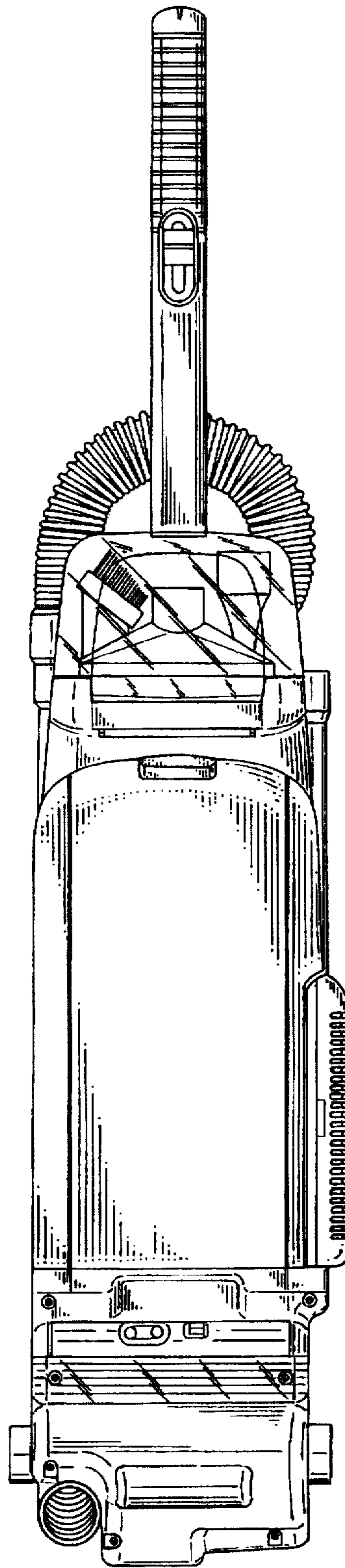


FIG. - 1

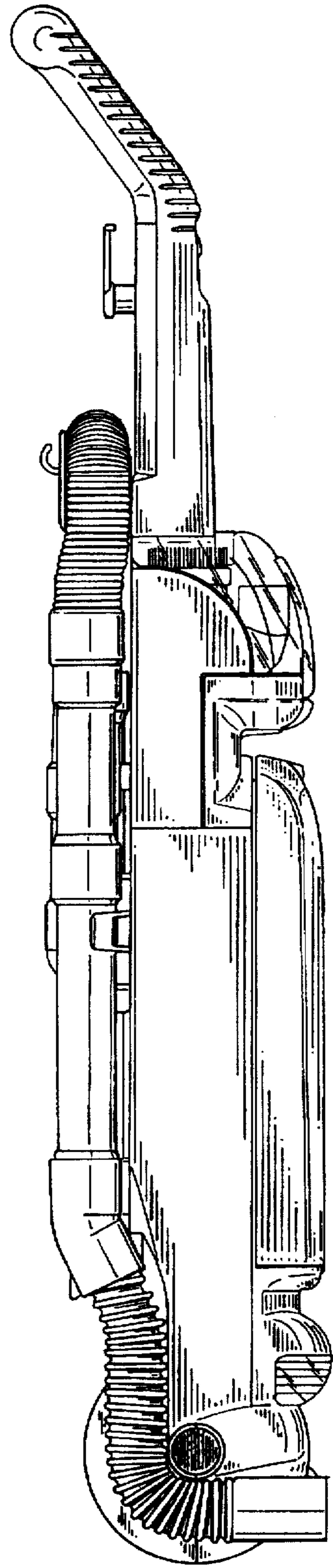


FIG. - 3

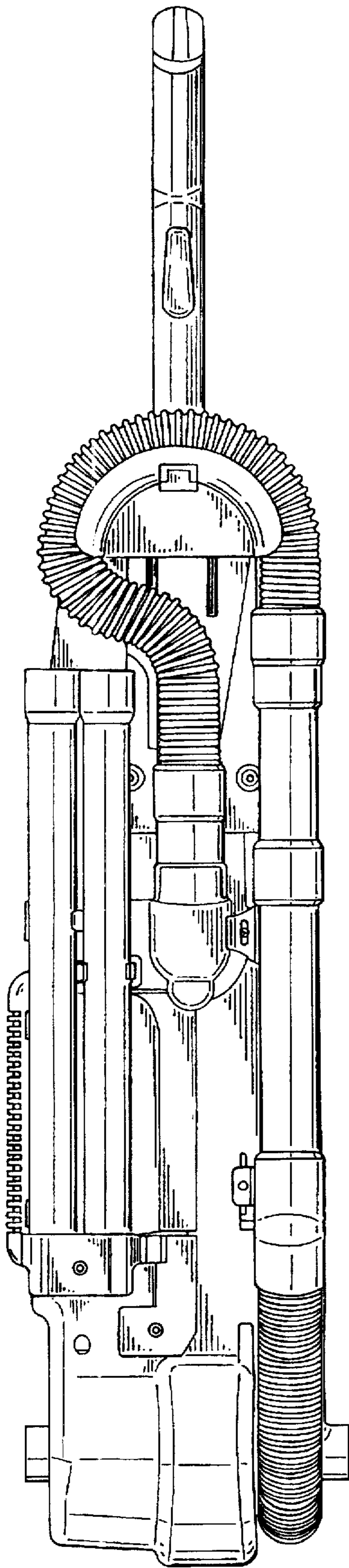


FIG. -6

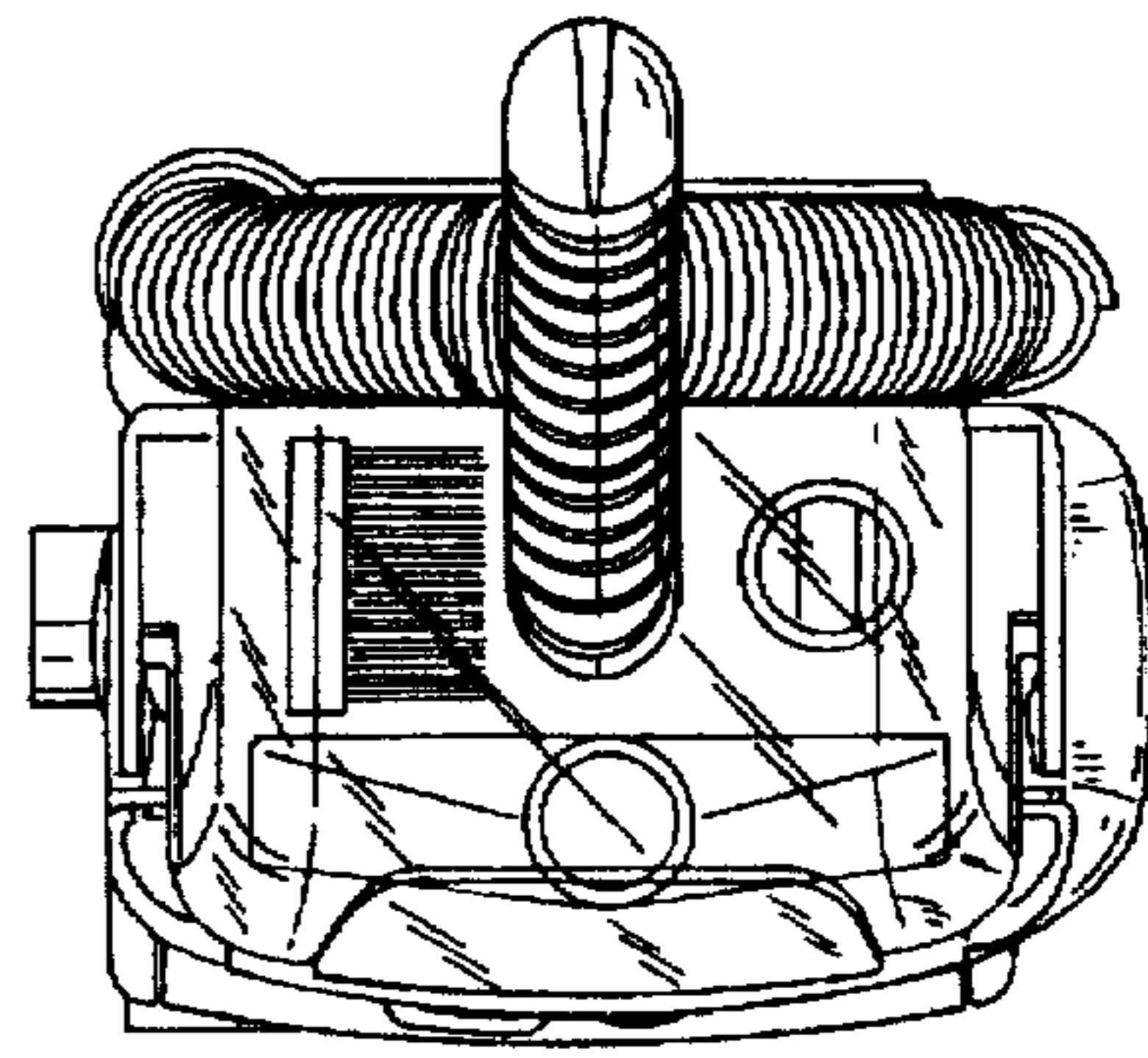


FIG. -4

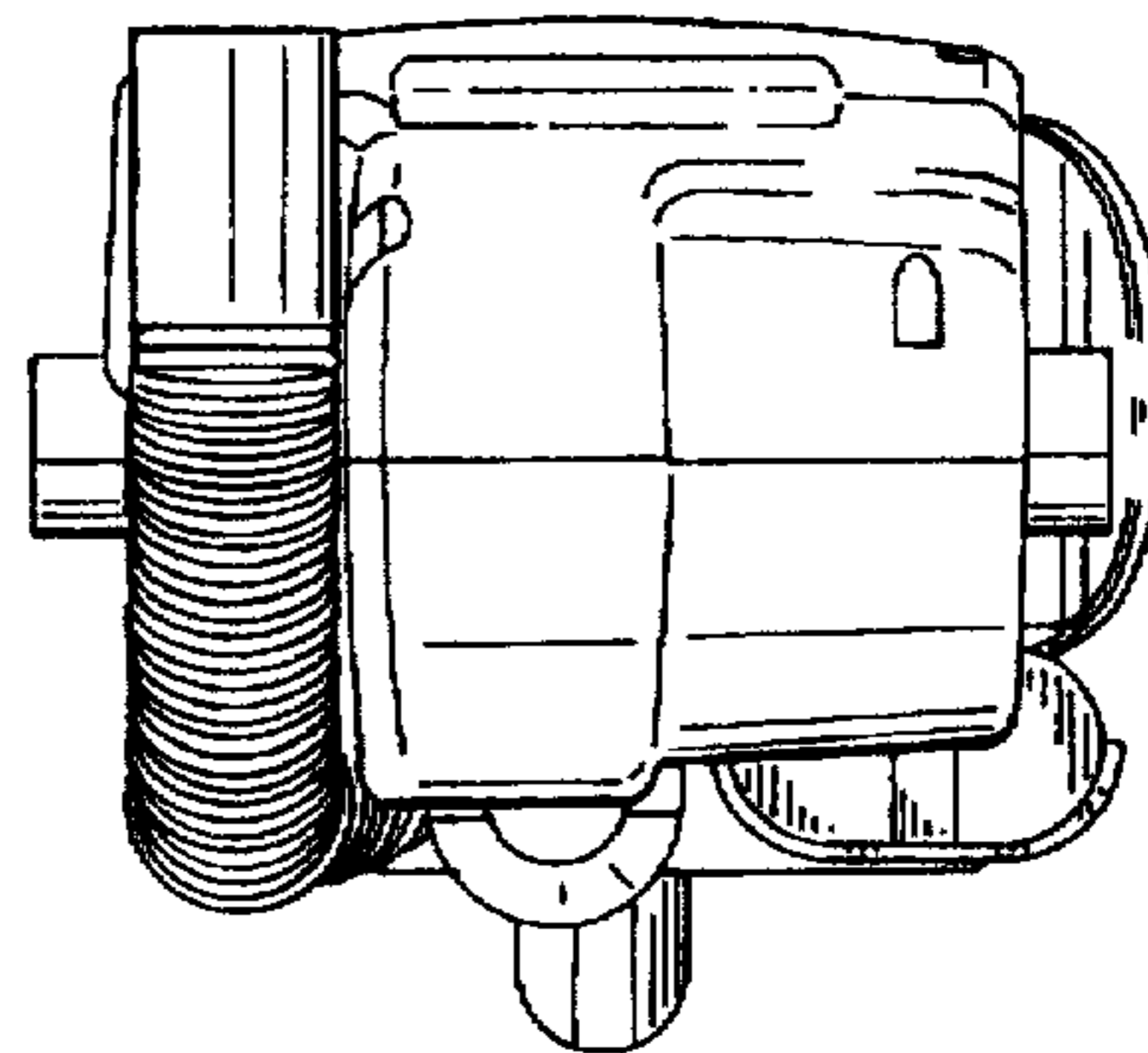


FIG. -5